



US00D731308S

(12) **United States Design Patent**  
**Tussy et al.**

(10) **Patent No.:** **US D731,308 S**  
(45) **Date of Patent:** **\*\* Jun. 9, 2015**

(54) **DISPLAY STAND FOR MOBILE DEVICE**

(56) **References Cited**

(71) Applicants: **Kevin Alan Tussy**, Henderson, NV (US);  
**Brandon Alexander Tussy**, Henderson,  
NV (US)  
(72) Inventors: **Kevin Alan Tussy**, Henderson, NV (US);  
**Brandon Alexander Tussy**, Henderson,  
NV (US)

U.S. PATENT DOCUMENTS

3,608,705 A \* 9/1971 Moshel ..... 206/461  
D229,394 S \* 11/1973 Givenchy ..... D9/739  
5,100,052 A \* 3/1992 Vajtay ..... 229/162.4  
D536,964 S \* 2/2007 Smith et al. .... D9/430  
D550,554 S \* 9/2007 Ledbetter et al. .... D9/418  
D556,566 S \* 12/2007 Steele et al. .... D9/418  
D605,035 S \* 12/2009 Altonen et al. .... D9/432

FOREIGN PATENT DOCUMENTS

EM 002124172-0001 \* 12/2012

\* cited by examiner

*Primary Examiner* — Susan Bennett Hattan

*Assistant Examiner* — Leanne Was

(74) *Attorney, Agent, or Firm* — Weide & Miller, Ltd.

(73) Assignee: **Kevin Alan Tussy**, Las Vegas, NV (US)

(\*\*) Term: **14 Years**

(21) Appl. No.: **29/458,937**

(22) Filed: **Jun. 25, 2013**

(51) **LOC (10) Cl.** ..... **09-07**

(52) **U.S. Cl.**  
USPC ..... **D9/432**

(58) **Field of Classification Search**

USPC ..... D3/201, 272, 273, 305; D9/414–433,  
D9/435, 457, 560, 561, 701, 730–762;  
206/278, 297, 299, 320, 339, 433,  
206/461–471, 495, 769, 770, 771, 775, 776,  
206/781, 782; 229/100, 103.3, 104–108,  
229/108.1, 110, 111, 112, 115, 117.16, 120,  
229/120.32, 122, 122.29, 124, 125,  
229/125.015, 125.17, 125.28, 131.1, 160.1,  
229/162.1, 162.4, 162.6, 162.7, 163, 182.1,  
229/201, 406, 407

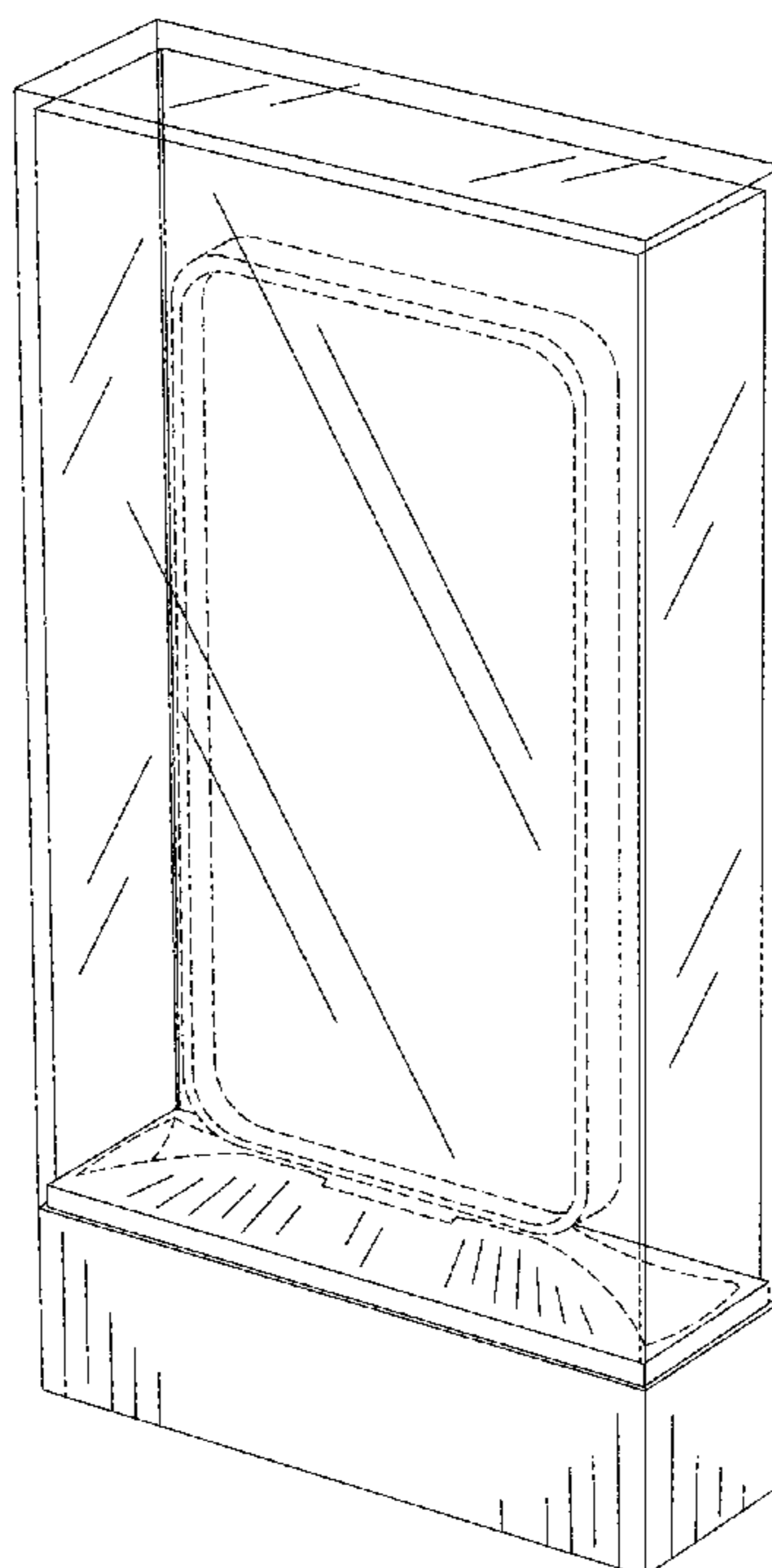
See application file for complete search history.

(57) **CLAIM**  
The ornamental design for a display stand for a mobile device,  
as shown and described.

**DESCRIPTION**

FIG. 1 is a perspective view of a display stand for a mobile device in accordance with the present invention;  
FIG. 2 is a front view thereof;  
FIG. 3 is a rear view thereof;  
FIG. 4 is a side view thereof;  
FIG. 5 is a top view thereof;  
FIG. 6 is an exploded view thereof;  
FIG. 7 is a detail top view of a base thereof; and,  
FIG. 8 is a detail perspective view of the base thereof.  
The broken lines in the drawing depict environmental subject matter only and form no part of the claimed design.

**1 Claim, 8 Drawing Sheets**



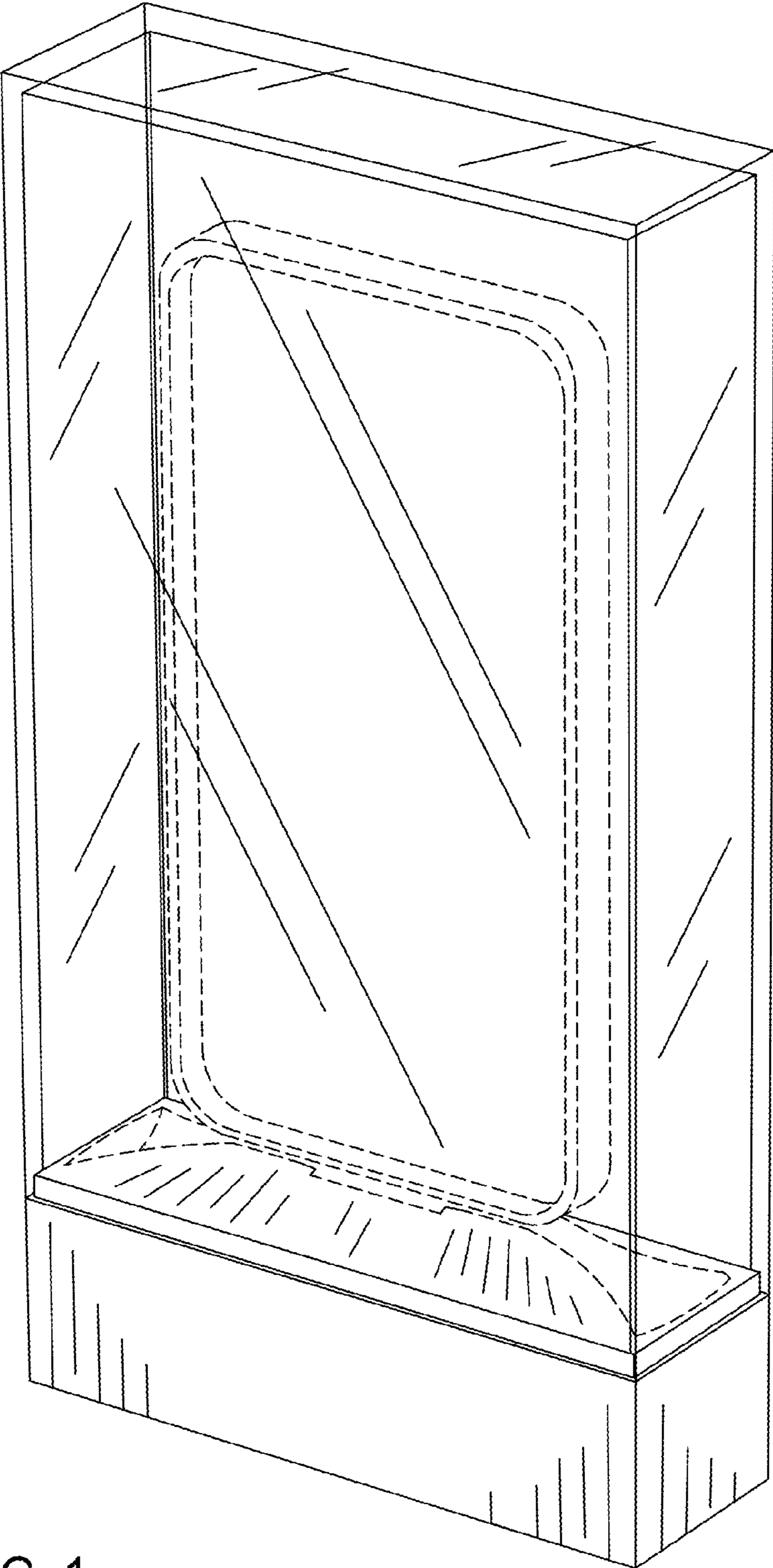


FIG. 1

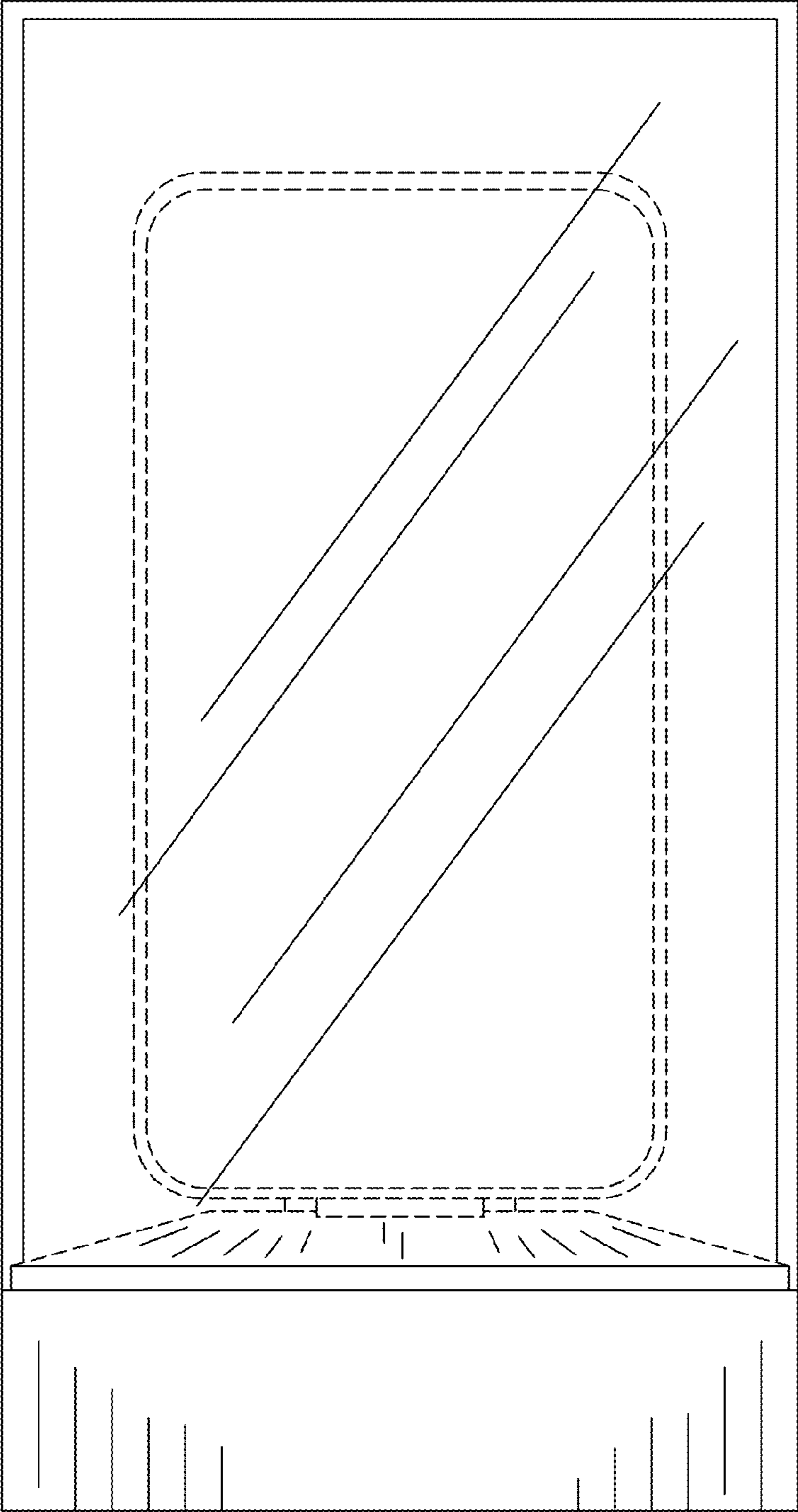


FIG. 2

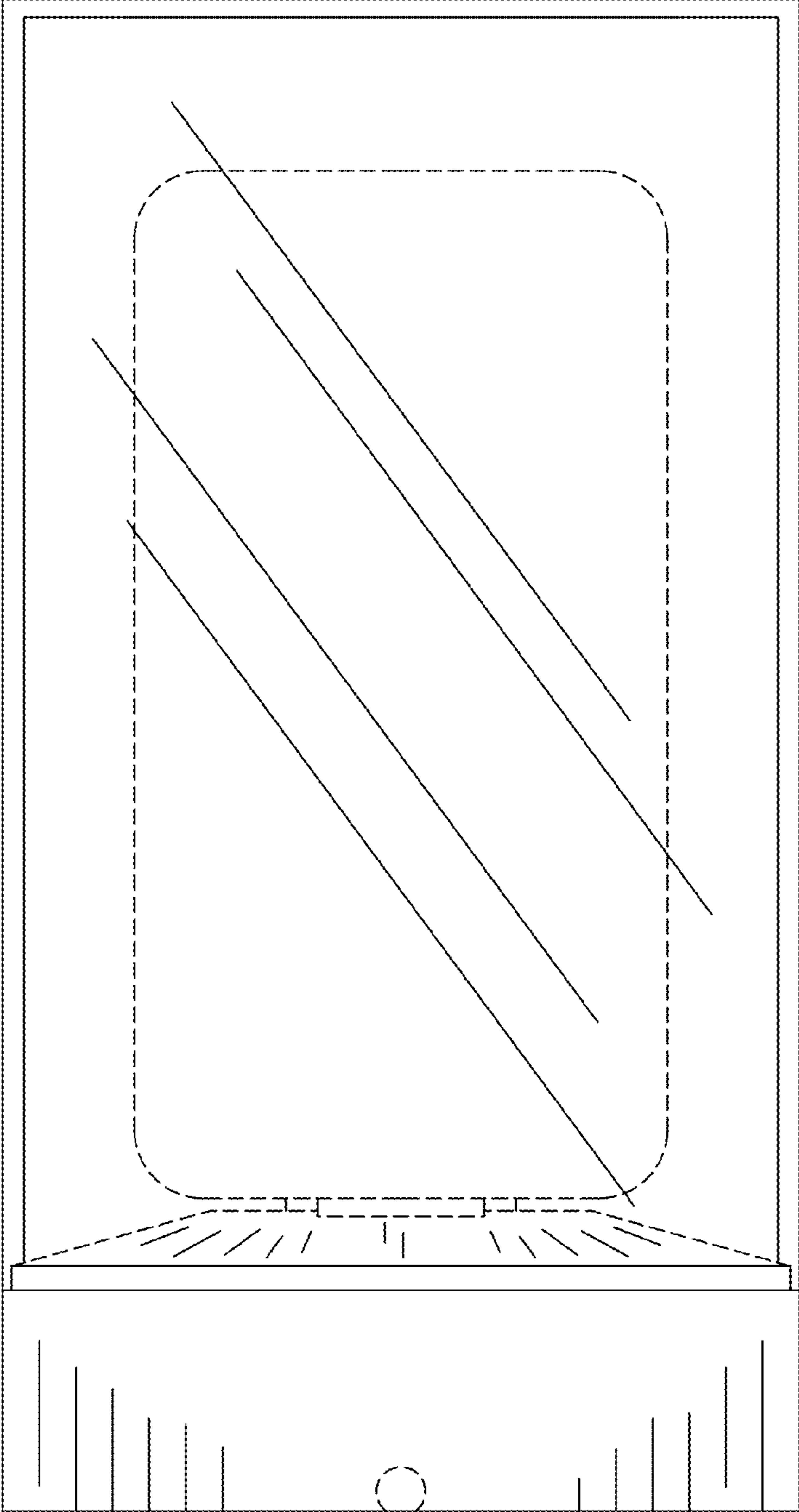


FIG. 3

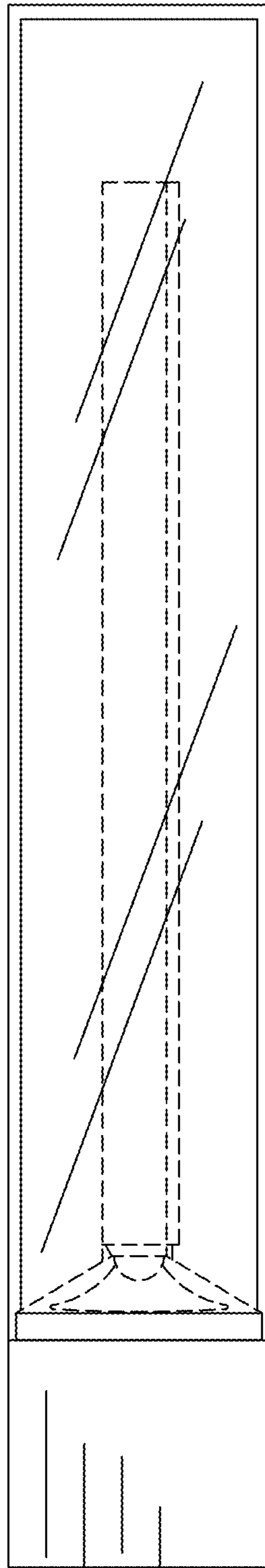


FIG. 4

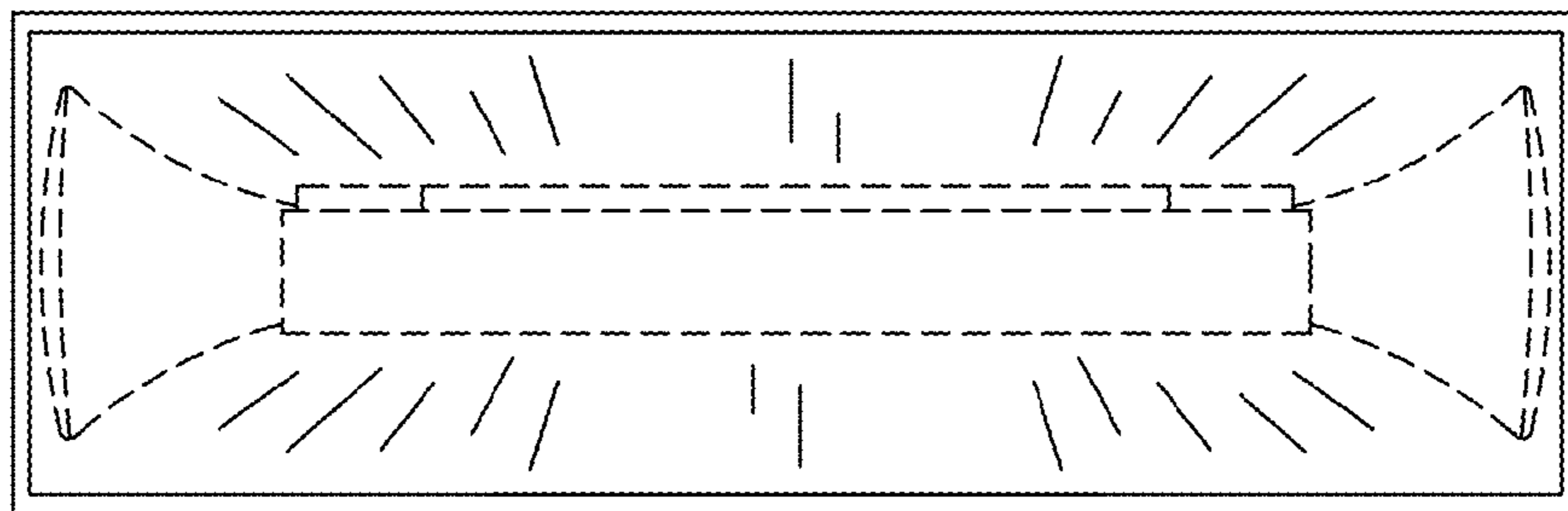


FIG. 5

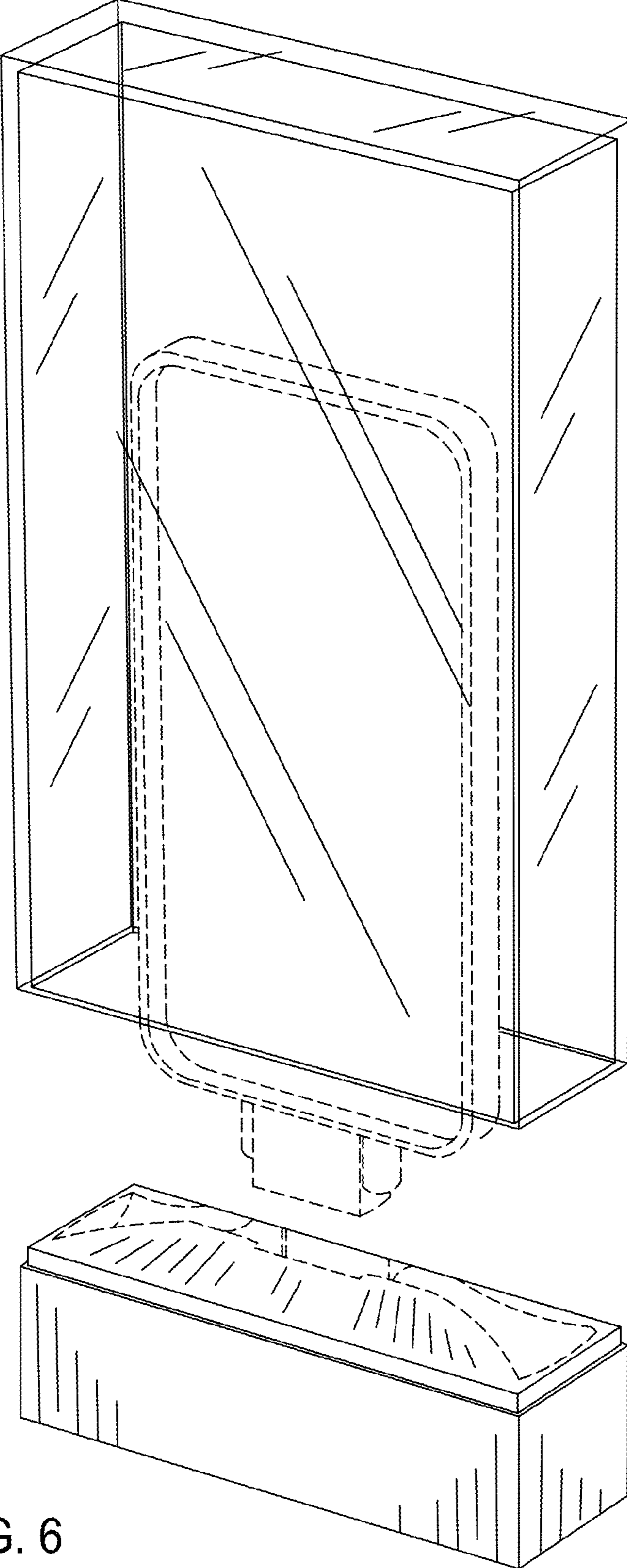


FIG. 6

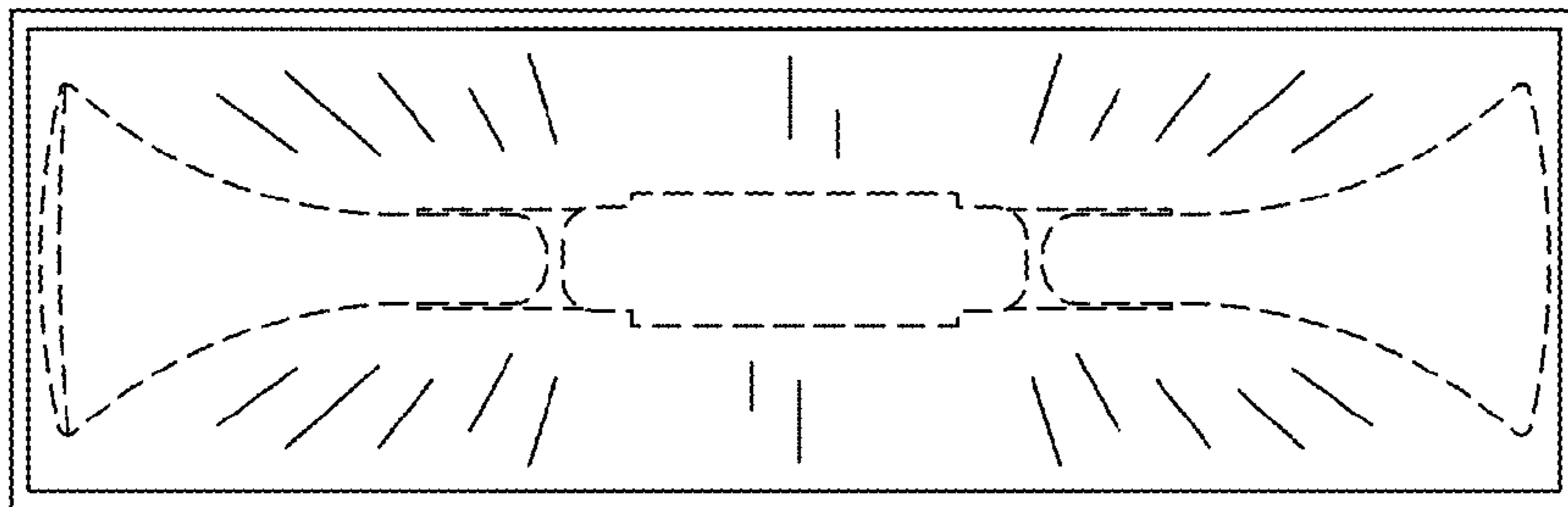


FIG. 7



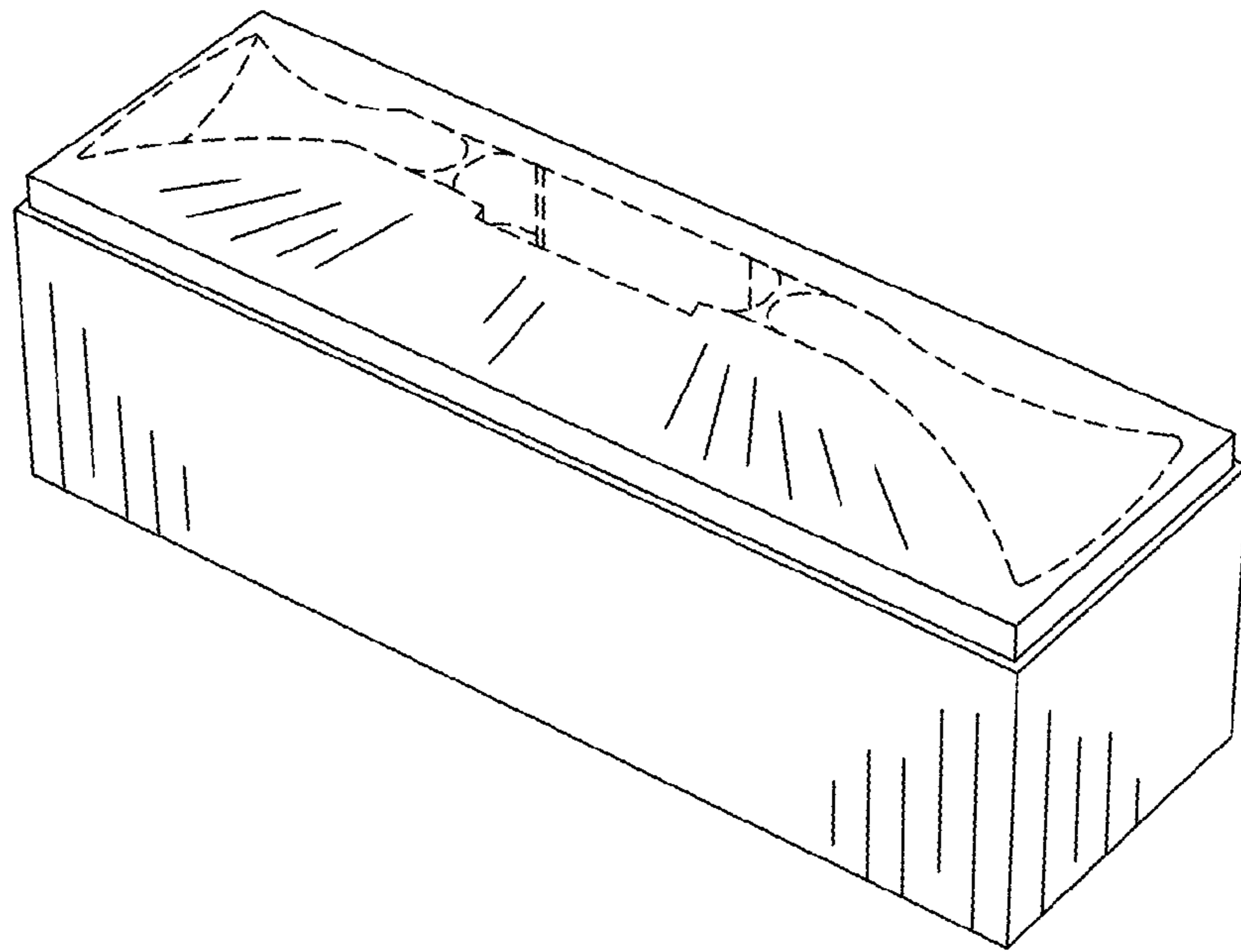


FIG. 8