



US00D731303S

(12) **United States Design Patent**
Daggett

(10) **Patent No.:** **US D731,303 S**
(45) **Date of Patent:** **** Jun. 9, 2015**

(54) **ONE-PIECE CONTAINER WITH LID**

(75) Inventor: **Barry Daggett**, Austintown, OH (US)

(73) Assignee: **Weatherchem Corporation**, Twinsburg, OH (US)

(**) Term: **14 Years**

(21) Appl. No.: **29/414,152**

(22) Filed: **Feb. 24, 2012**

(51) **LOC (10) Cl.** **09-01**

(52) **U.S. Cl.**

USPC **D9/420**; D9/529; D9/560

(58) **Field of Classification Search**

USPC D9/414, 420, 422-424, 435, 446-447,
D9/449, 516, 560, 571, 572, 575;
D3/203.2, 206, 294; D7/601-602, 612,
D7/615, 629; D34/7-8; 215/235-237, 379,
215/381-382; 220/324, 660, 669, 675, 810,
220/831

CPC B65D 1/00; B65D 1/10; B65D 23/00;
B65D 25/00; B65D 39/00; B65D 45/00

See application file for complete search history.

(56) **References Cited**

U.S. PATENT DOCUMENTS

D280,678 S *	9/1985	Loscalzo et al.	D3/294
D311,334 S *	10/1990	Flynn et al.	D9/424
D322,031 S *	12/1991	Fleming	D9/424
D326,391 S *	5/1992	Verchere	D7/605
D359,201 S *	6/1995	Hung	D7/612
D382,809 S *	8/1997	Aldrich et al.	D9/529
D382,810 S *	8/1997	Aldrich et al.	D9/529
D391,757 S *	3/1998	Johnson	D3/203.2

D397,293 S *	8/1998	Shimizu	D3/294
D407,973 S *	4/1999	Miller et al.	D9/423
D431,700 S *	10/2000	Roudebush	D32/53
D437,384 S *	2/2001	Fletcher et al.	D23/207
D459,886 S *	7/2002	Jones	D3/294
D482,755 S *	11/2003	Rhinehart et al.	D23/207
D512,606 S *	12/2005	Lown	D7/629
D531,408 S *	11/2006	Arce et al.	D3/294
D539,498 S *	3/2007	Yang et al.	D34/9
D540,001 S *	4/2007	Zimmerman	D34/9
D592,966 S *	5/2009	Nissen	D9/560
7,654,411 B2 *	2/2010	Boots et al.	220/835
D619,424 S *	7/2010	Yang et al.	D7/615
D645,221 S *	9/2011	Brown et al.	D34/11
D656,287 S *	3/2012	Brown et al.	D34/8

* cited by examiner

Primary Examiner — Ian Simmons

Assistant Examiner — Dana L Meyrow

(74) *Attorney, Agent, or Firm* — Amin, Turocy & Watson, LLP

(57) **CLAIM**

I claim the ornamental design for a one-piece container with lid, as shown and described.

DESCRIPTION

FIG. 1 is a front view of my ornamental design for a one-piece container with lid;

FIG. 2 is a top, front, right side perspective view thereof;

FIG. 3 is a top, front, left side perspective view thereof;

FIG. 4 is a right side view thereof;

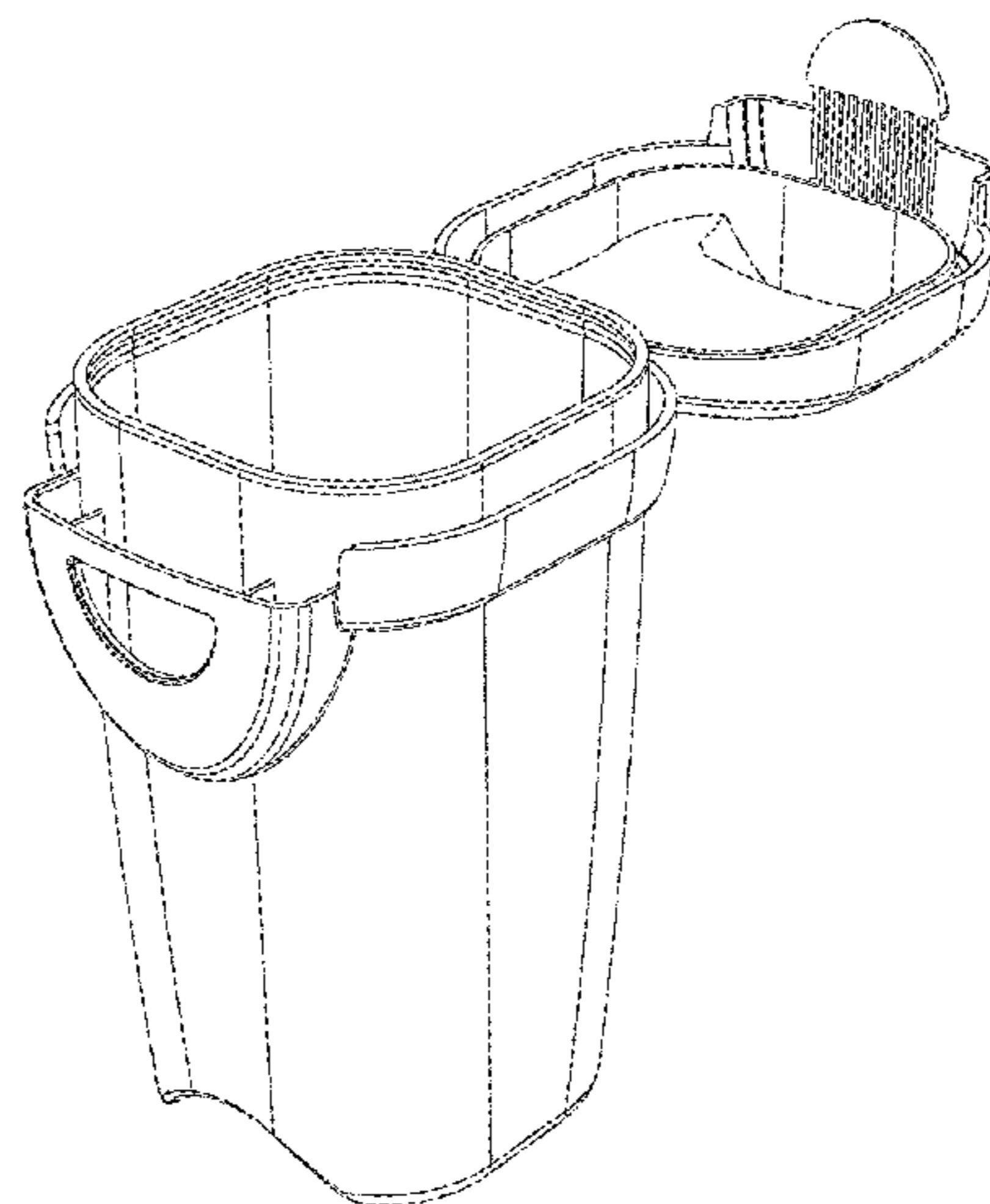
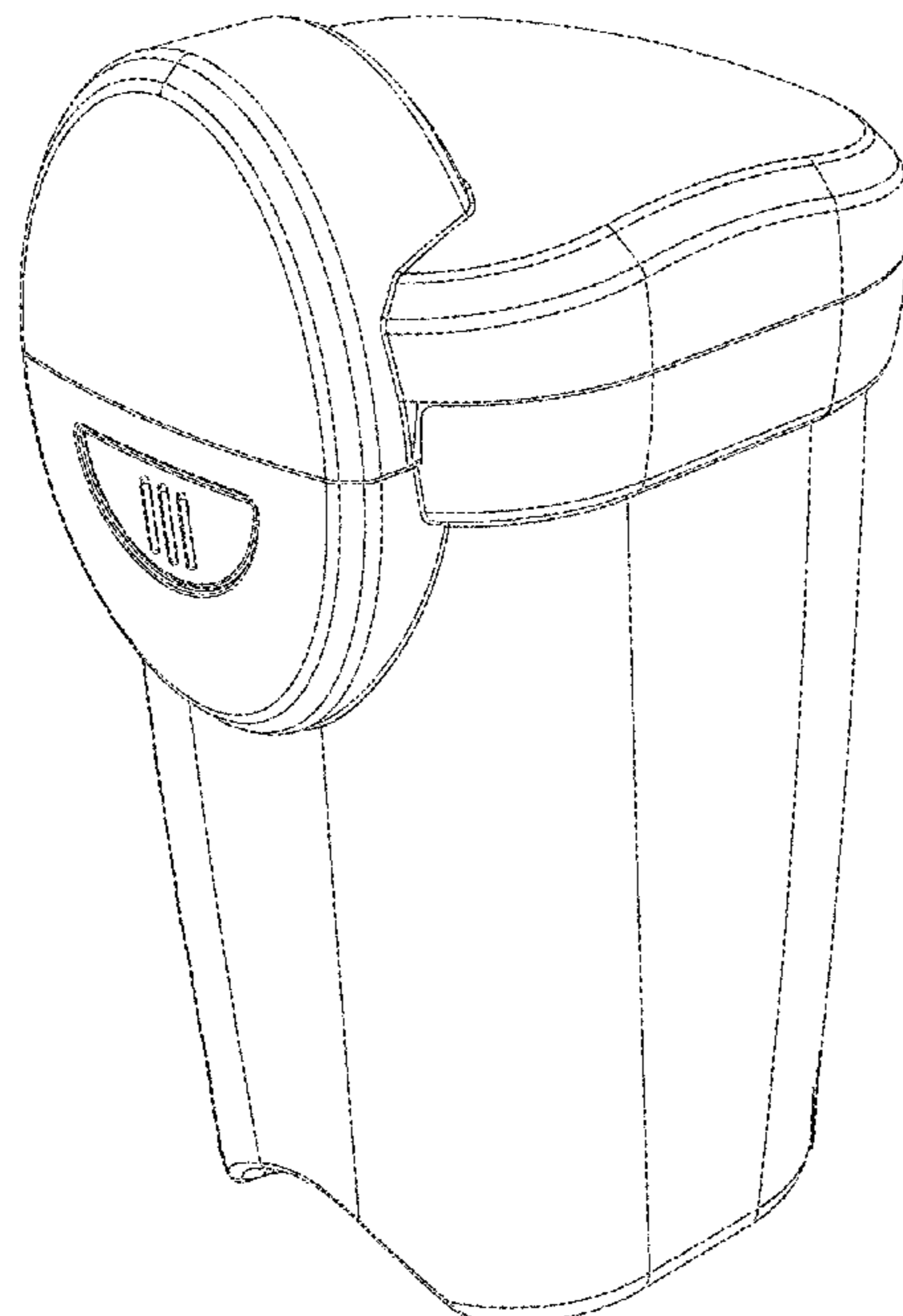
FIG. 5 is a left side view thereof;

FIG. 6 is a left side view thereof, shown in the open position;

FIG. 7 is a top, front, right side perspective view thereof; and,

FIG. 8 is a top, front, left side perspective view thereof.

1 Claim, 8 Drawing Sheets



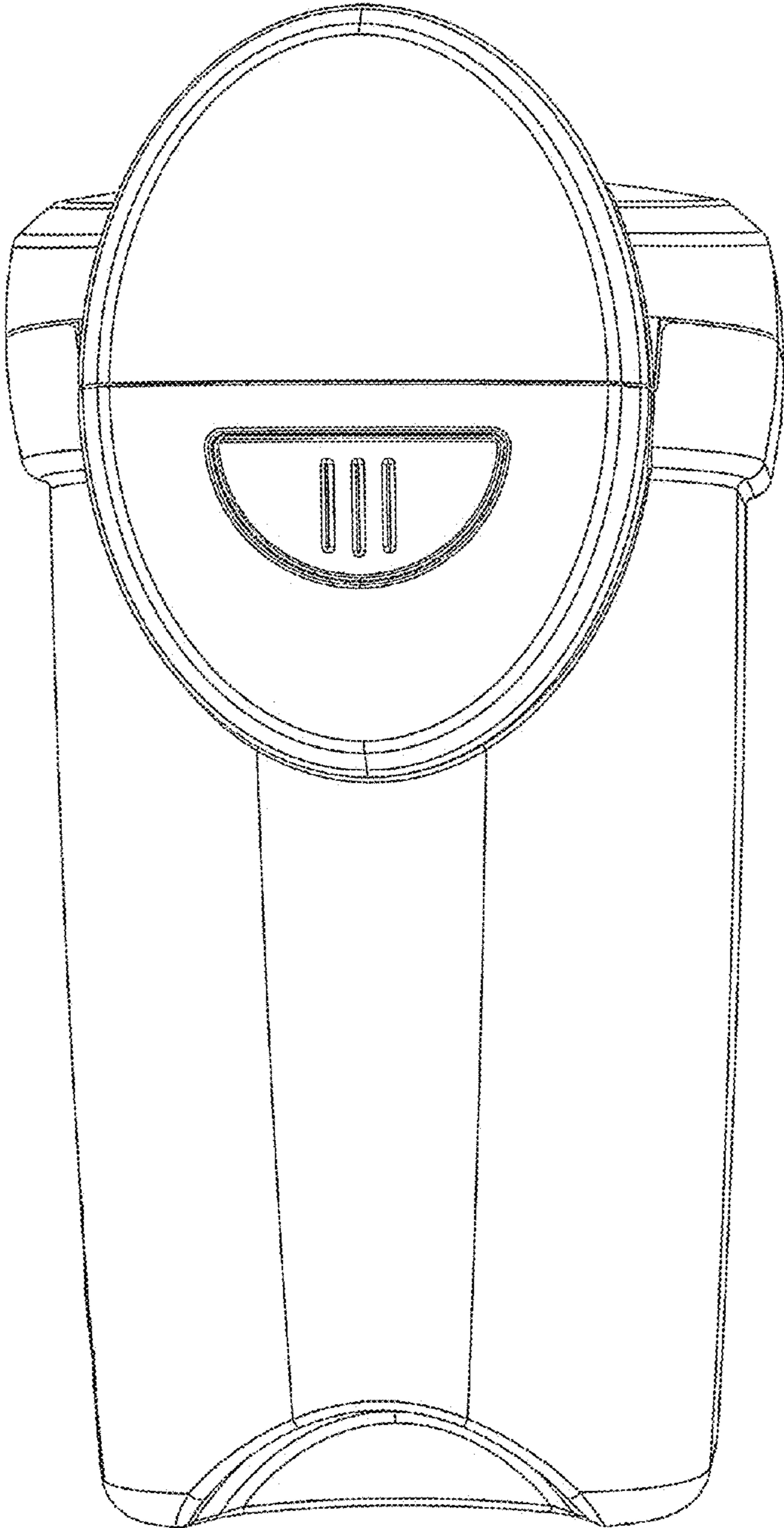


Figure 1

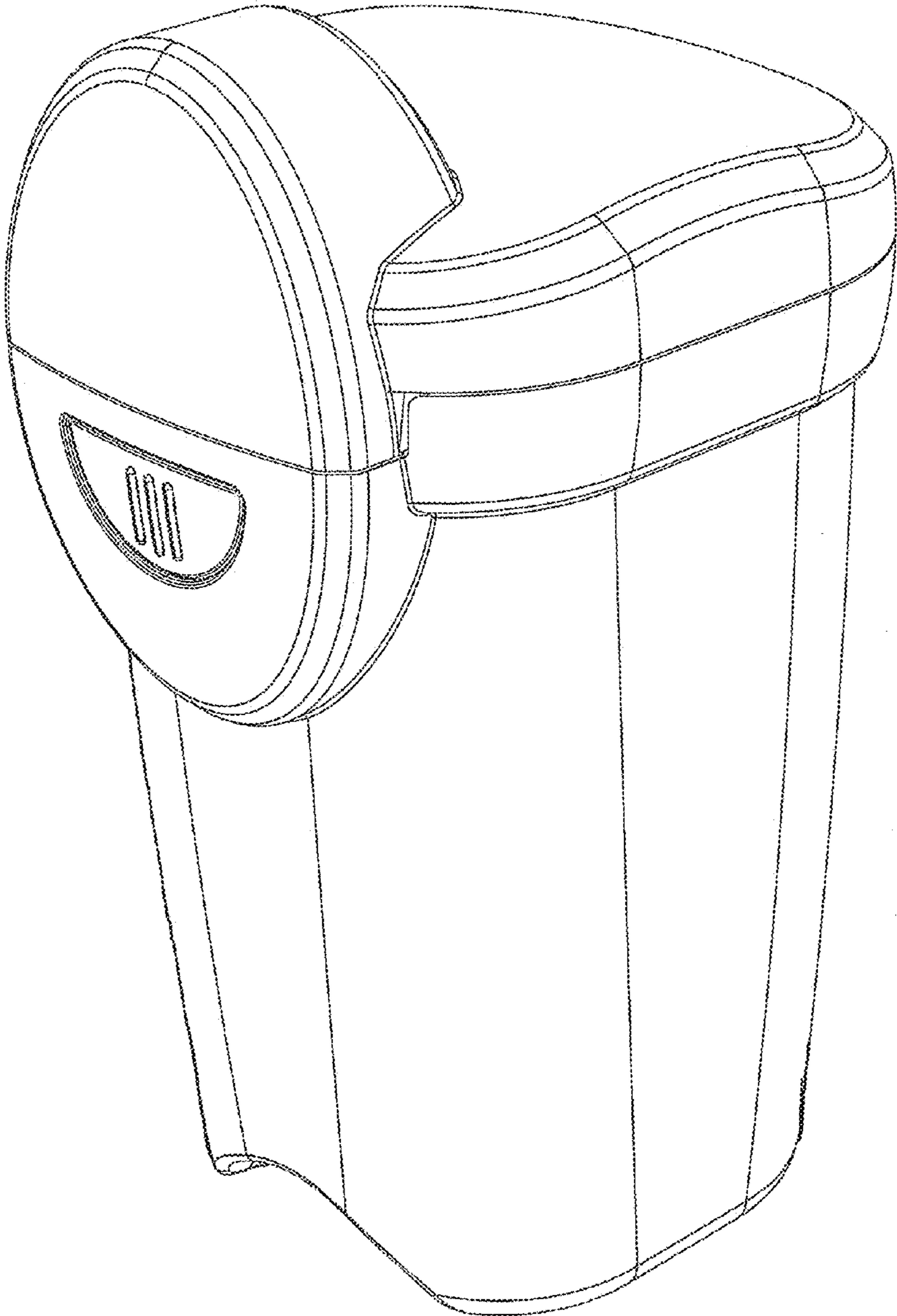


Figure 2

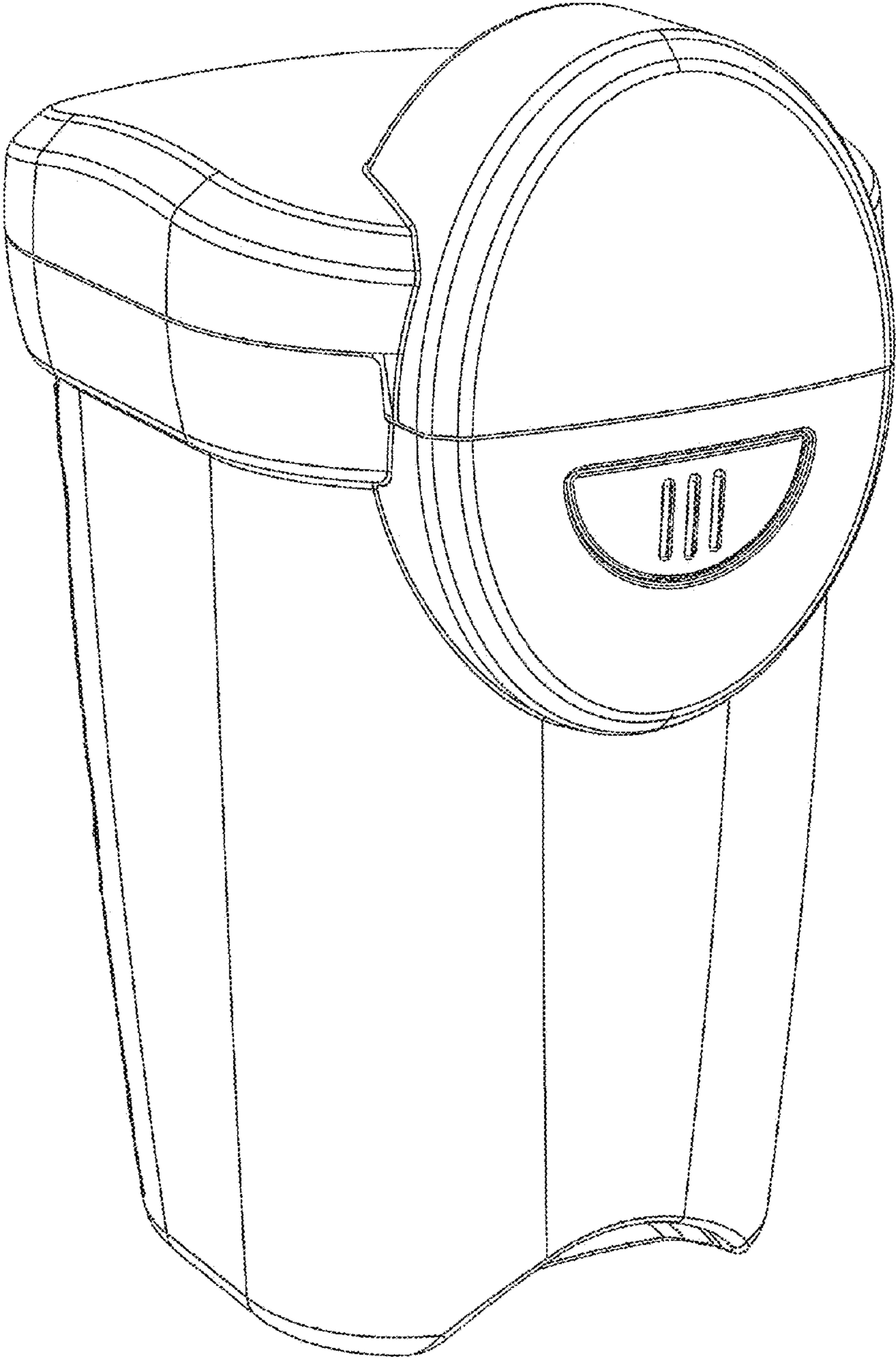


Figure 3

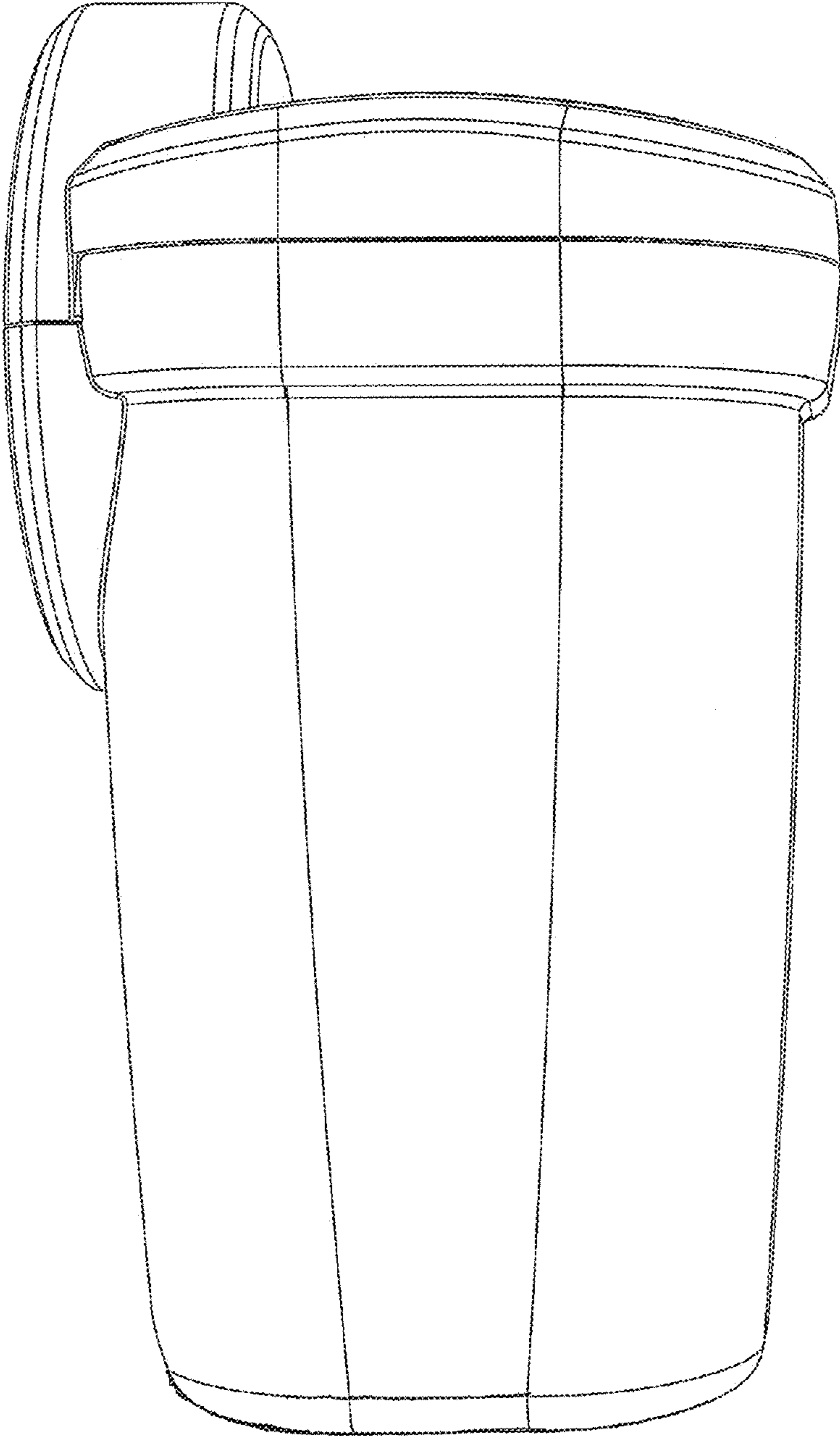


Figure 4

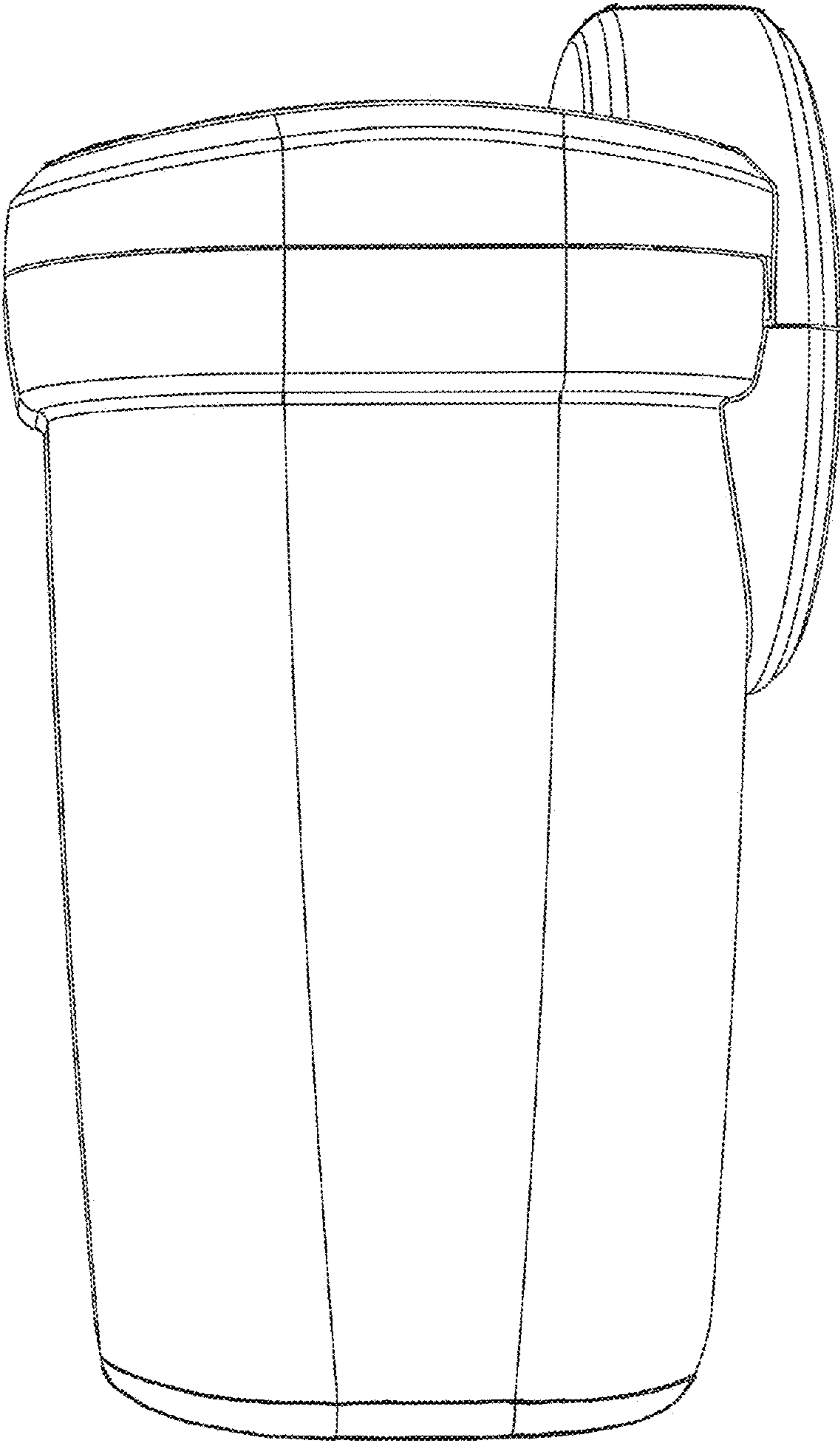


Figure 5

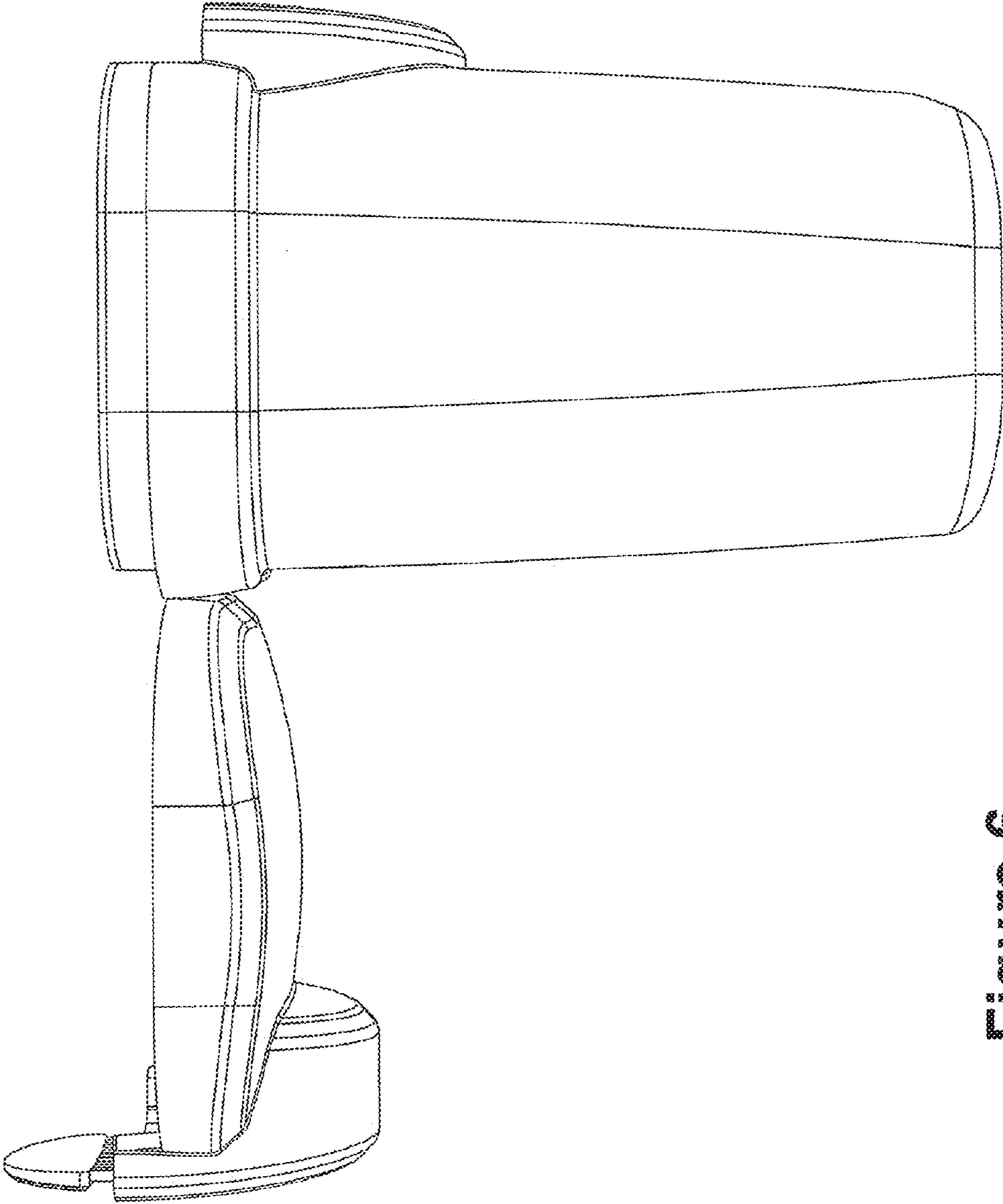


Figure 6

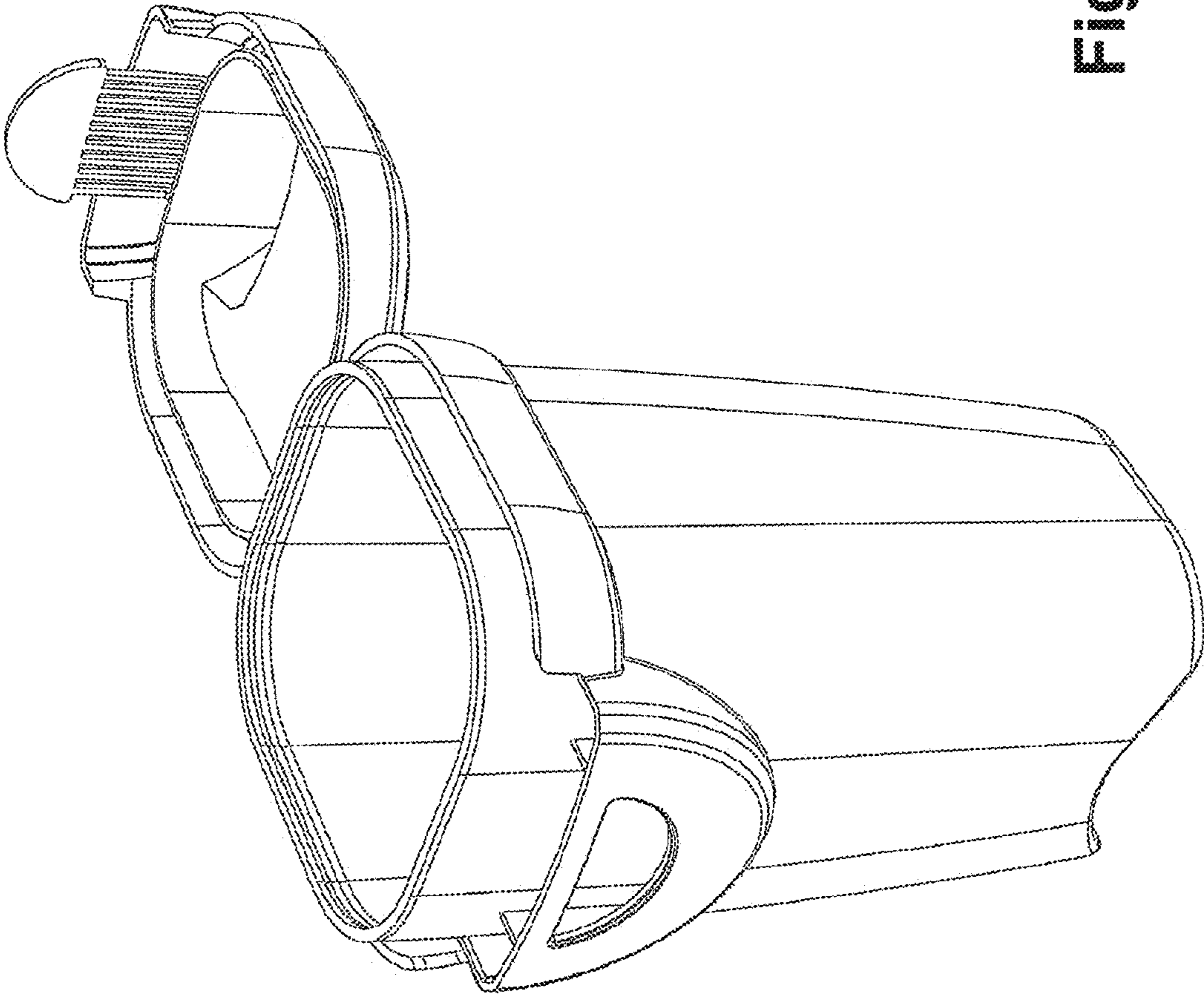


Figure 7

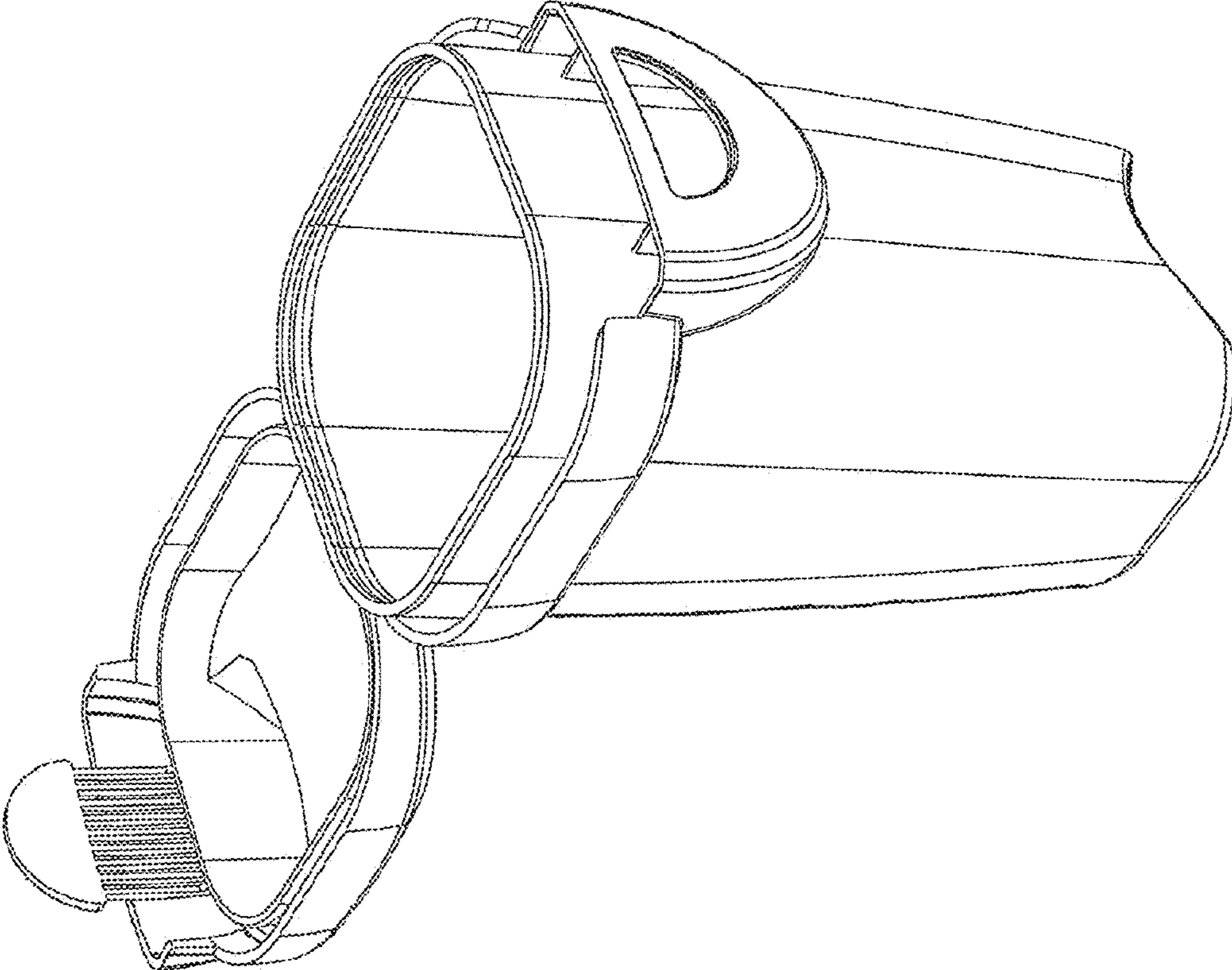


Figure 8