



US00D731299S

(12) **United States Design Patent**
Sugiura

(10) **Patent No.:** **US D731,299 S**
(45) **Date of Patent:** **** Jun. 9, 2015**

(54) **CLAMP OF A STAND FOR SUPPORTING AN OBJECT**

(75) Inventor: **Yoshihisa Sugiura**, Hamamatsu (JP)

(73) Assignee: **YAMAHA CORPORATION**, Shizuoka (JP)

(**) Term: **14 Years**

(21) Appl. No.: **29/427,205**

(22) Filed: **Jul. 16, 2012**

(30) **Foreign Application Priority Data**

Jan. 17, 2012 (JP) 2012-000727

(51) **LOC (10) Cl.** **08-08**

(52) **U.S. Cl.**
USPC **D8/396**

(58) **Field of Classification Search**
USPC D8/396, 354-356, 376, 394, 395, 382,
D8/380, 381; D17/22; 24/275, 278, 486,
24/489, 505; 84/421, 327
CPC F16B 7/04; F16B 7/044; F16B 7/1418
See application file for complete search history.

(56) **References Cited**

U.S. PATENT DOCUMENTS

5,645,253 A * 7/1997 Hoshino 248/181.1
D383,967 S * 9/1997 DeMars D8/354
6,093,878 A * 7/2000 Hoshino 84/421

D438,783 S * 3/2001 Elliott D8/396
D580,262 S * 11/2008 Eason et al. D8/396
D595,569 S * 7/2009 Darling, III D8/396
D613,092 S * 4/2010 Eason et al. D6/462
8,106,278 B2 * 1/2012 Eason 84/421
2010/0116121 A1 * 5/2010 Eason 84/421

FOREIGN PATENT DOCUMENTS

JP D1329025 S 5/2008

* cited by examiner

Primary Examiner — Ian Simmons

Assistant Examiner — Harold Blackwell, II

(74) *Attorney, Agent, or Firm* — Sughrue Mion, PLLC

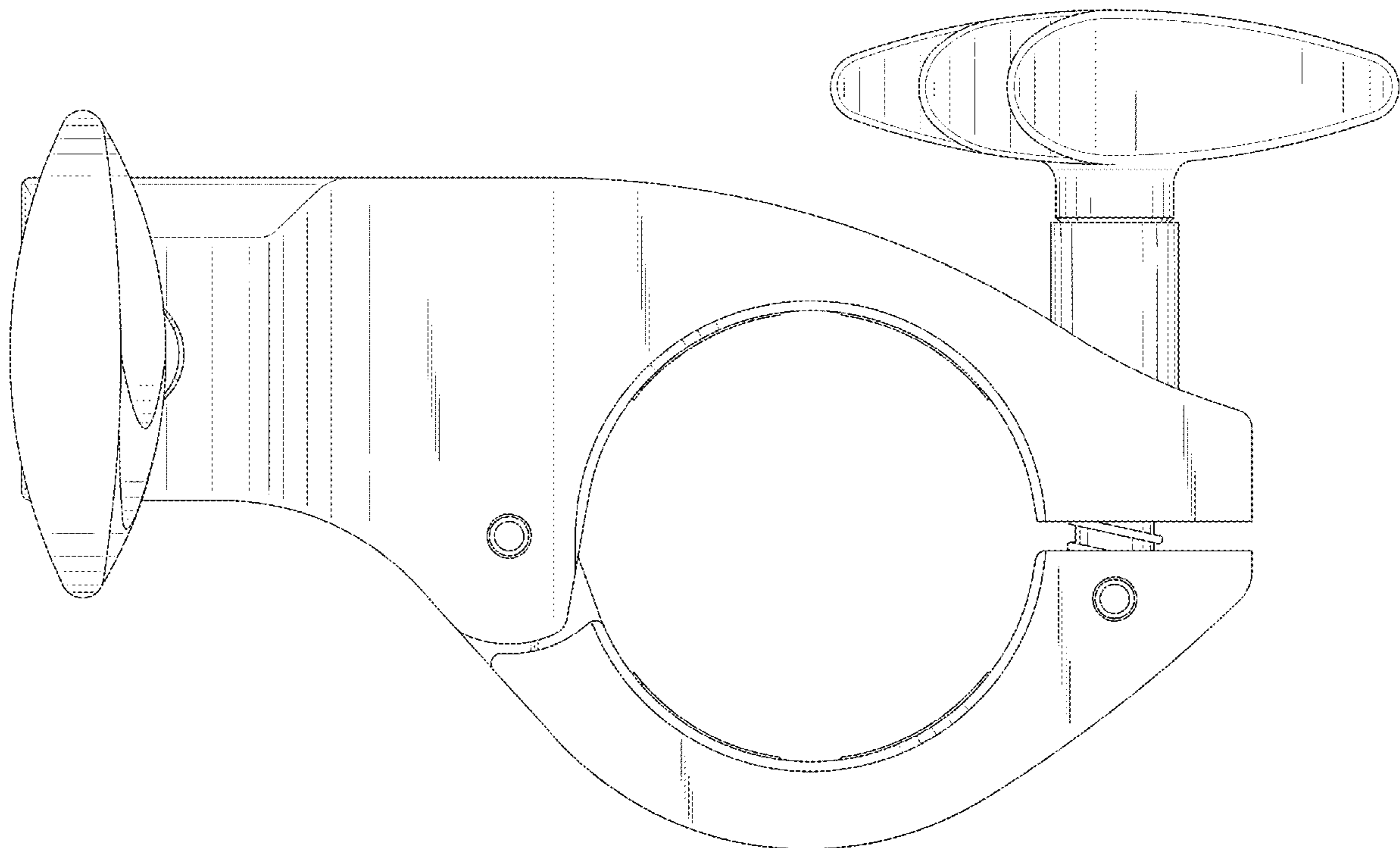
(57) **CLAIM**

The ornamental design for a clamp of a stand for supporting an object, as shown and described.

DESCRIPTION

FIG. 1 is a front view of a clamp of a stand for supporting an object showing my new design;
FIG. 2 is a rear view thereof;
FIG. 3 is a left side view thereof;
FIG. 4 is a right side view thereof;
FIG. 5 is a top plan view thereof; and,
FIG. 6 is a bottom view thereof.

1 Claim, 6 Drawing Sheets



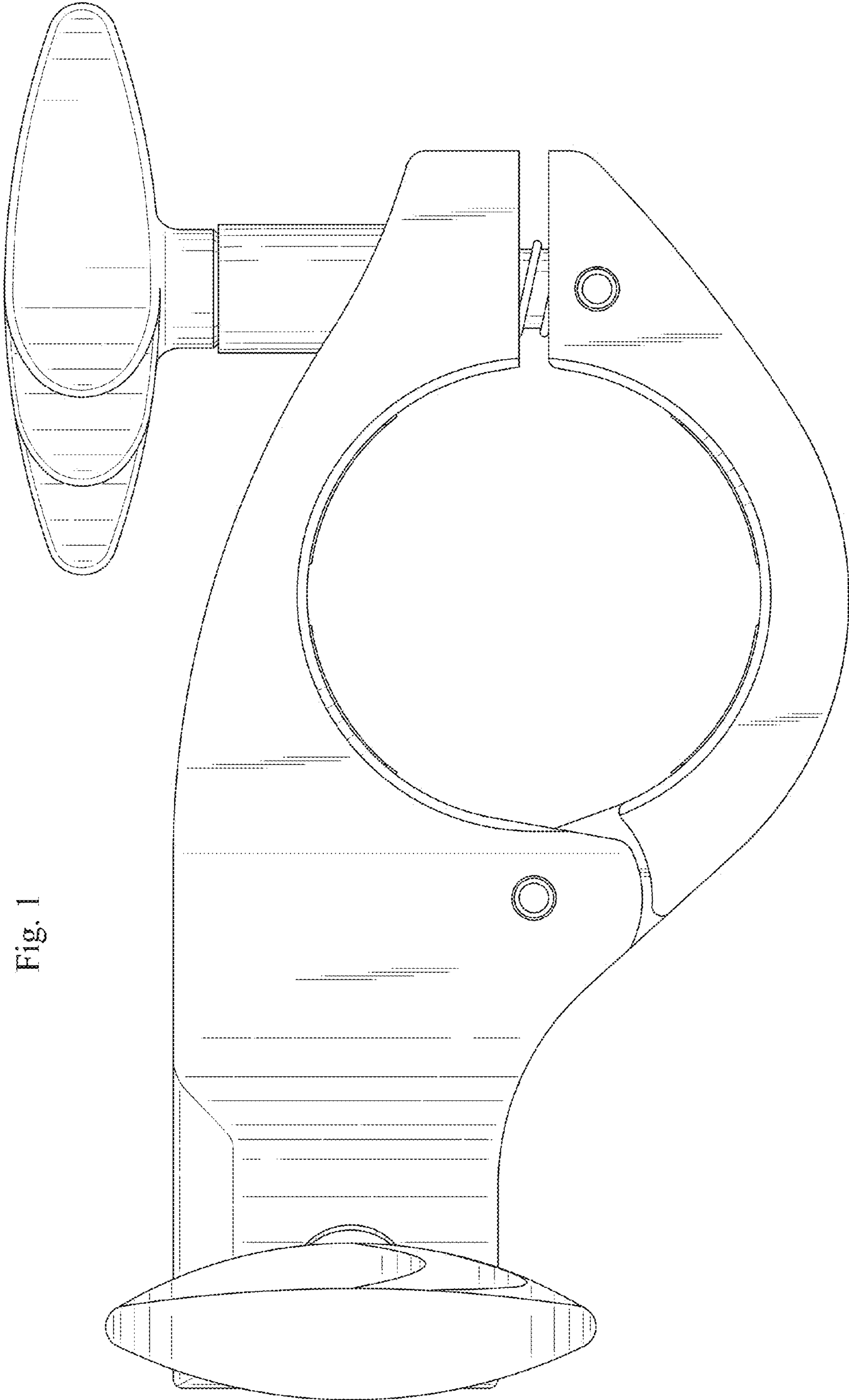


Fig. 1

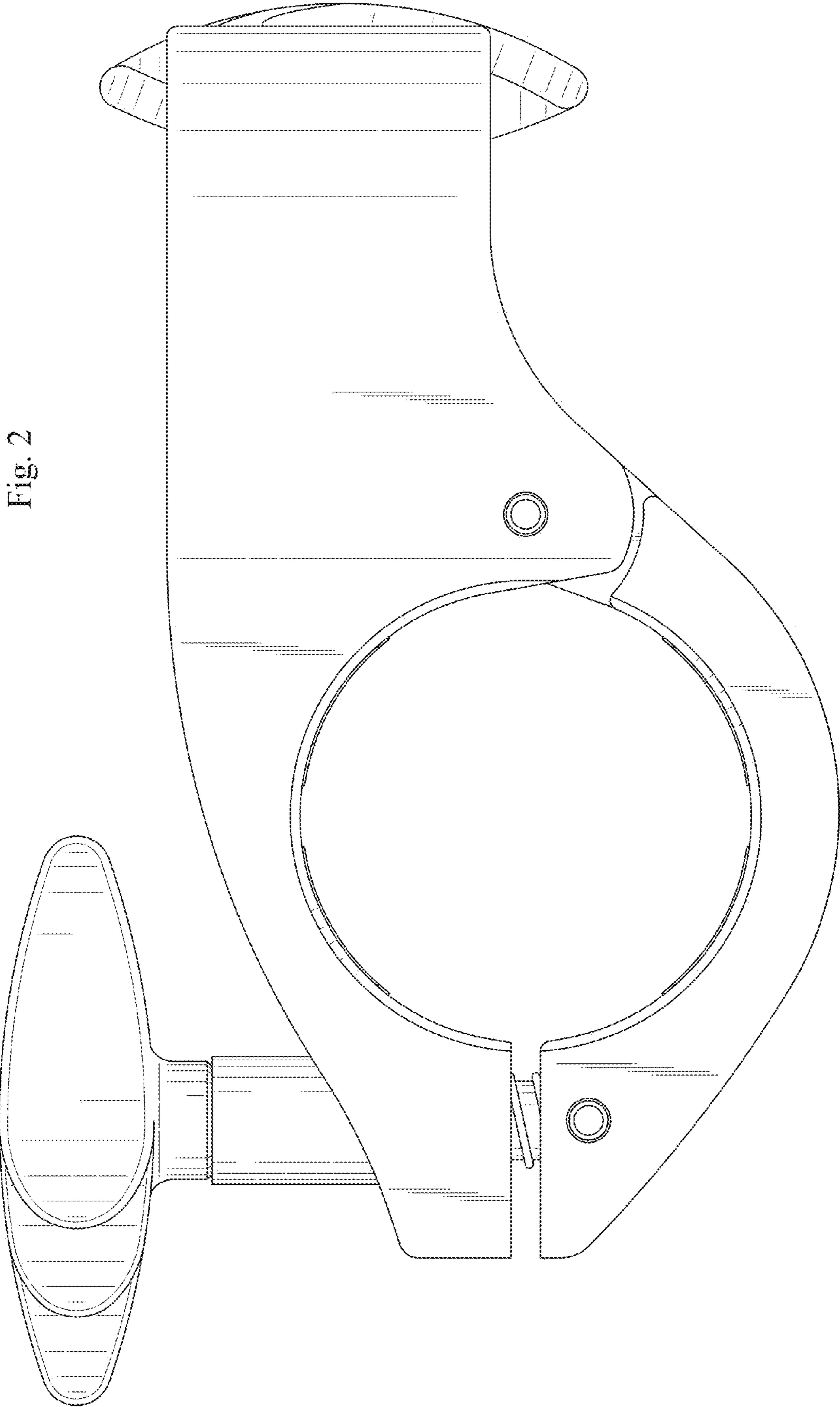


Fig. 2

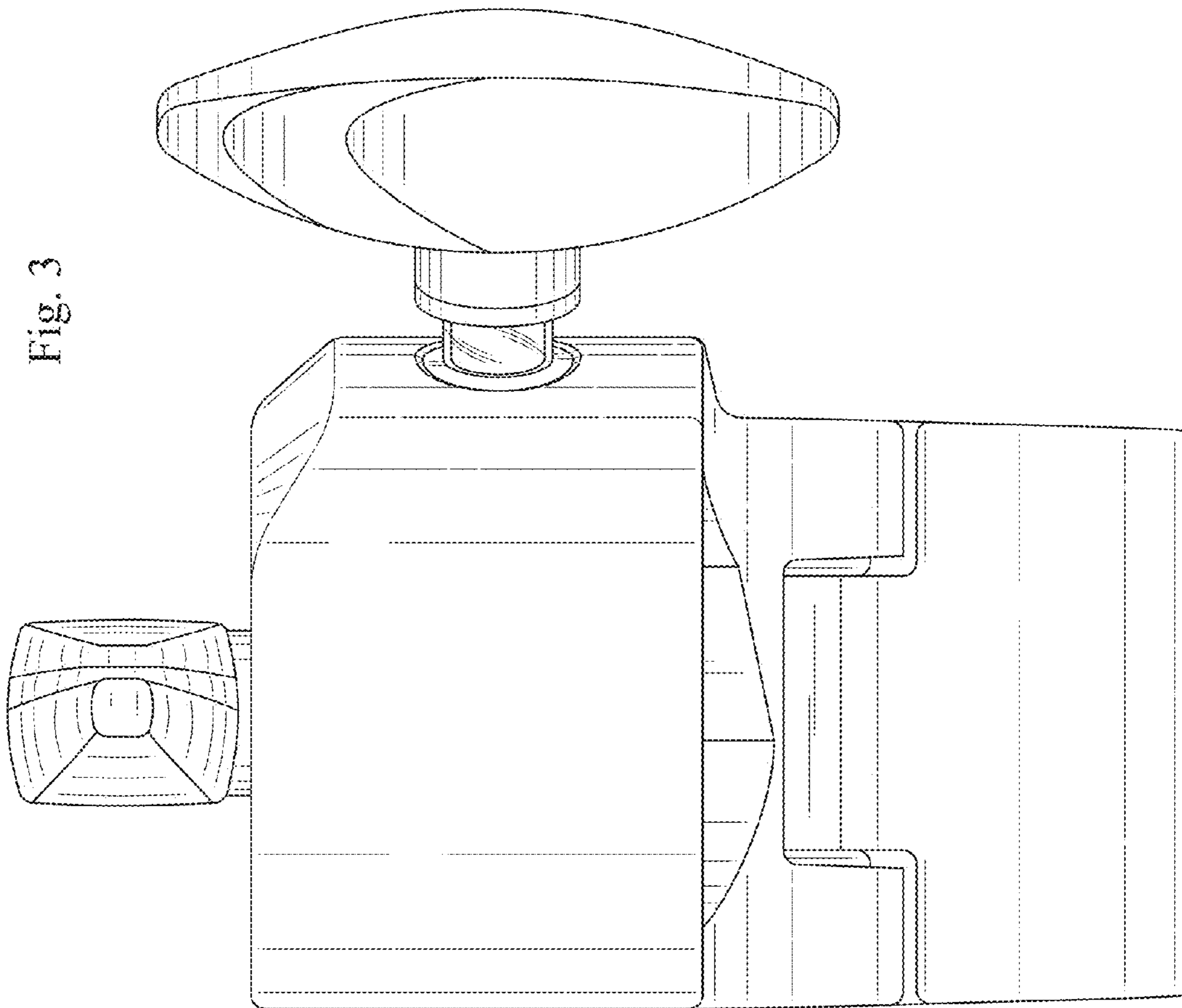


Fig. 3

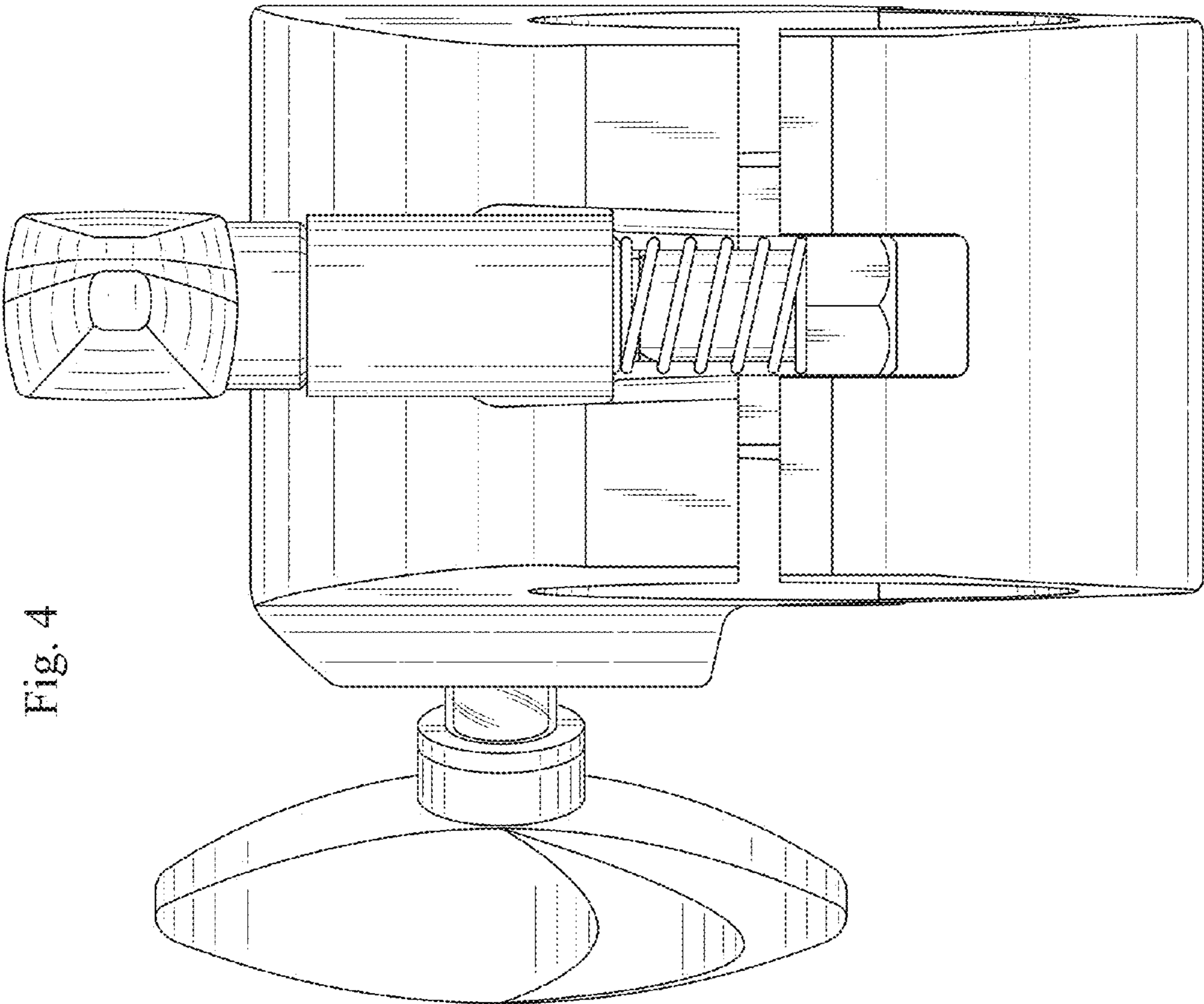


Fig. 4

Fig. 5

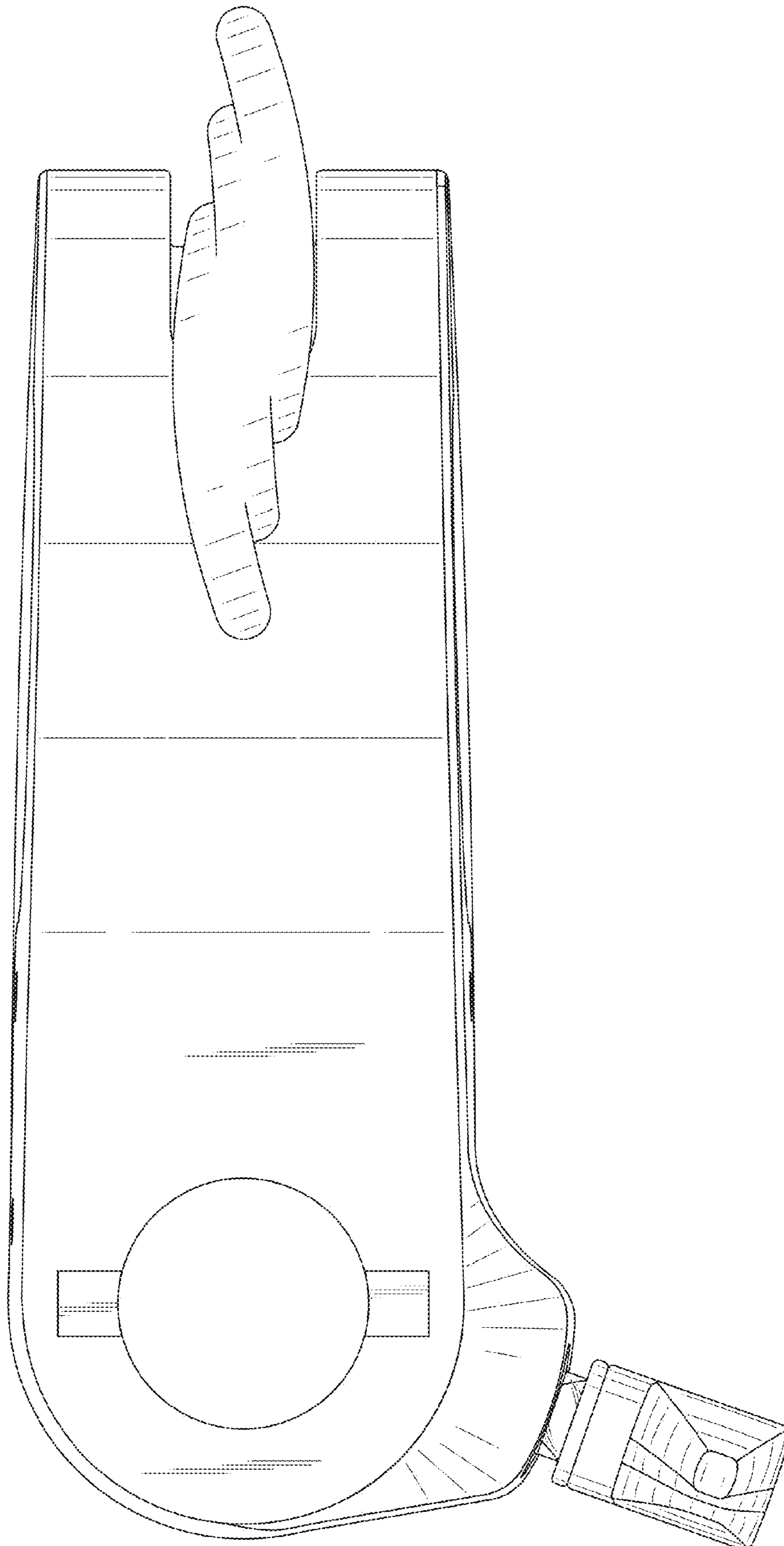


Fig. 6

