



US00D731297S

(12) **United States Design Patent**
Bitterlich

(10) **Patent No.:** **US D731,297 S**
(45) **Date of Patent:** **** Jun. 9, 2015**

(54) **CASTER**

(71) Applicant: **ADAM HALL GMBH**, Neu-Anspach (DE)

(72) Inventor: **Martin Bitterlich**, Kelkheim (DE)

(73) Assignee: **ADAM HALL GMBH**, Neu-Anspach (DE)

(**) Term: **14 Years**

(21) Appl. No.: **29/450,728**

(22) Filed: **Mar. 21, 2013**

(30) **Foreign Application Priority Data**

Oct. 19, 2012 (EP) 002121376-0001

(51) **LOC (10) Cl.** **08-05**

(52) **U.S. Cl.**
USPC **D8/375**

(58) **Field of Classification Search**
USPC D24/183; D12/19; 16/31 R, 18 R, 29,
16/35 D, 35 R, 37, 45; D3/318; D34/27
CPC B60B 33/0002; B60B 33/0049; B60B
33/0042; B60B 33/0068; B60B 33/0057;
B60B 33/0073; B60B 33/0028; B60B
33/0039; B60B 33/0021; B60B 33/00; B60B
33/0005; B60B 33/0018; B60B 33/0007;
B60B 33/0023; B60B 33/021

See application file for complete search history.

(56) **References Cited**

U.S. PATENT DOCUMENTS

102,253 A * 4/1870 Grosse 16/29
171,981 A * 1/1876 Brinton 16/29
835,492 A * 11/1906 Baker 16/30
925,117 A * 6/1909 Luppert 16/39

D355,586 S * 2/1995 Wang D8/375
D401,844 S * 12/1998 Klippert et al. D8/375
D484,028 S * 12/2003 Moon D8/375
D572,577 S * 7/2008 Hatton D8/375

OTHER PUBLICATIONS

“Ball Corners,” Adam Hall GmbH, 2013, [Retrieved on Oct. 11, 2013], 6 pages. Retrieved from: www.adamhall.com/en/Ball_Corners.html.

Image of “Adam Hall Hardware 4120-05: Ball Corner medium three-leg 5 mm inside radius,” Adam Hall GmbH, 2013, [Retrieved on Oct. 21, 2013], 1 page. Retrieved from: www.adamhall.com/en/4120-05/productdetailimages_p1.

Image of “Adam Hall Hardware 4122: Ball Corner medium three-leg with Stacking Dimple,” Adam Hall GmbH, 2013, [Retrieved on Oct. 21, 2013], 1 page. Retrieved from: www.adamhall.com/en/4122/productdetailimages_p1.

(Continued)

Primary Examiner — Robert M Spear

Assistant Examiner — Eliza Bennett-Hattan

(74) *Attorney, Agent, or Firm* — Sheridan Ross P.C.

(57) **CLAIM**

The ornamental design for a caster, as shown and described.

DESCRIPTION

FIG. 1 is a top left perspective view of a caster showing the new design;

FIG. 2 is a top right perspective view thereof;

FIG. 3 is a bottom left perspective view thereof;

FIG. 4 is a bottom right perspective view thereof;

FIG. 5 is a front elevation view thereof;

FIG. 6 is a right elevation view thereof;

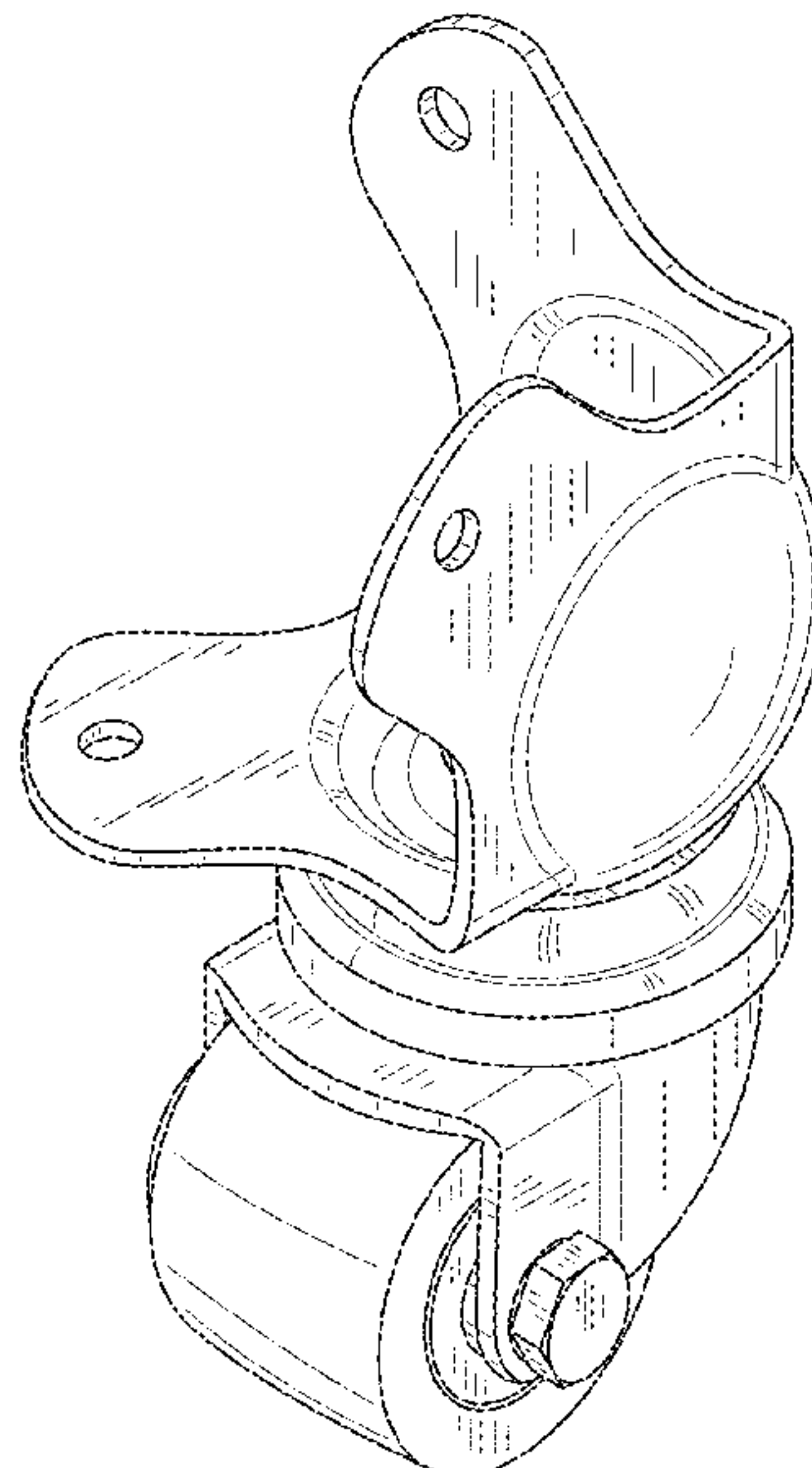
FIG. 7 is a left elevation view thereof;

FIG. 8 is a bottom plan view thereof;

FIG. 9 is a top plan view thereof; and,

FIG. 10 is a rear elevation view thereof.

1 Claim, 10 Drawing Sheets



(56)

References Cited

OTHER PUBLICATIONS

“Recessed Castors,” Adam Hall GmbH, 2013, [Retrieved on Oct. 11, 2013], 2 pages. Retrieved from: www.adamhall.com/en/Recessed_Castors.html.

“Swivel Castors,” Adam Hall GmbH, 2013, [Retrieved on Oct. 11, 2013], 3 pages. Retrieved from: www.adamhall.com/en/Swivel_Castors.html.

* cited by examiner

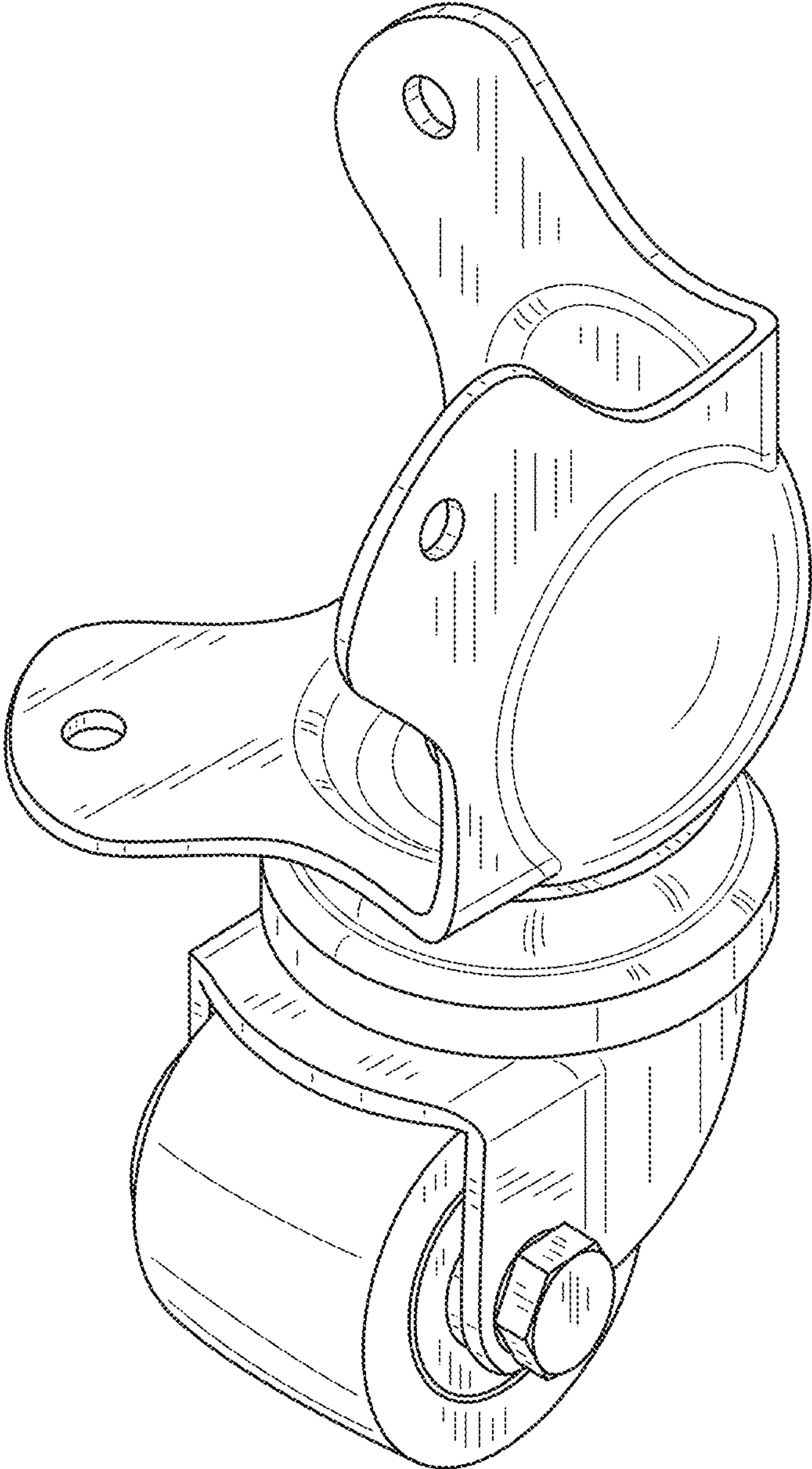


FIG. 1

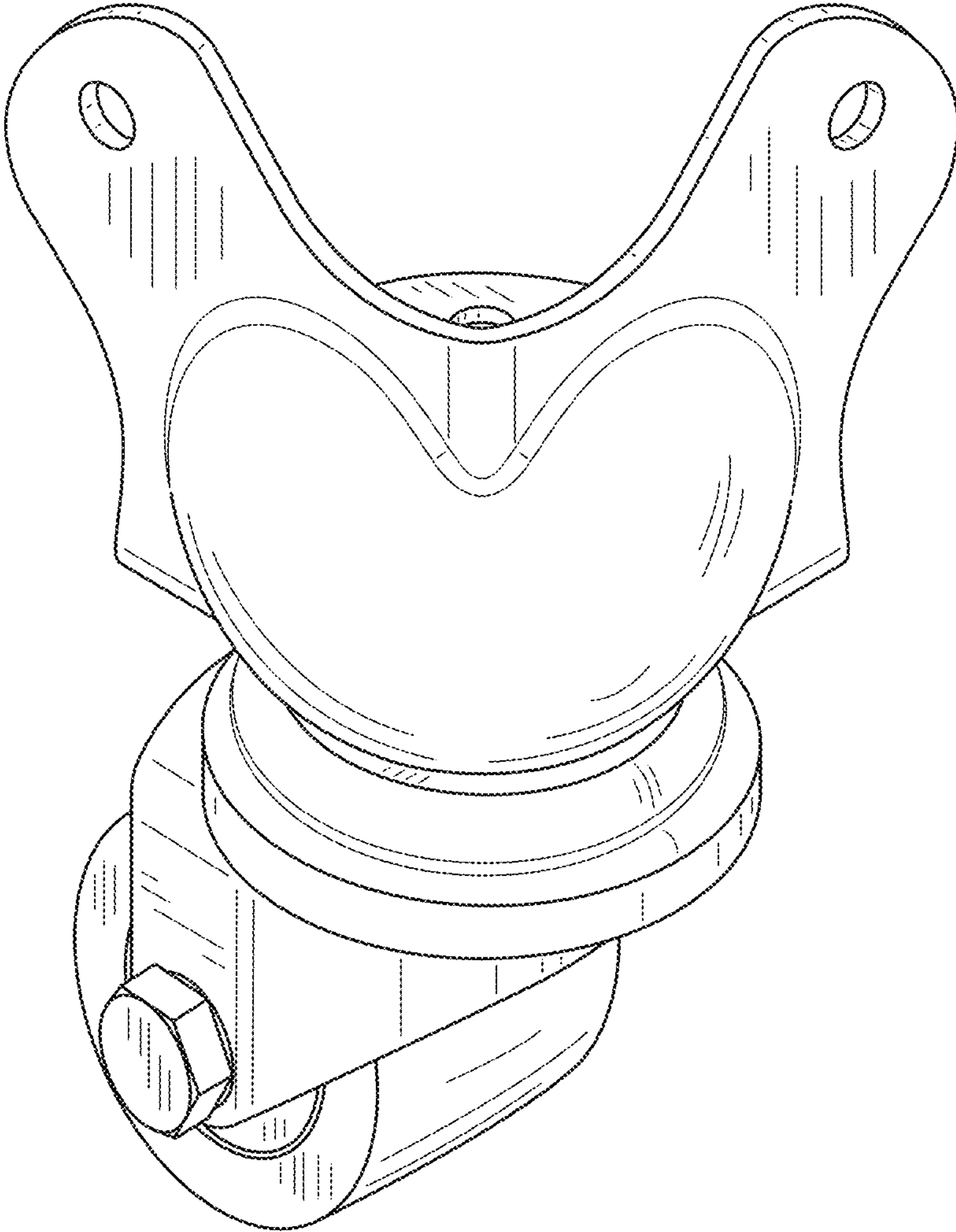


FIG.2

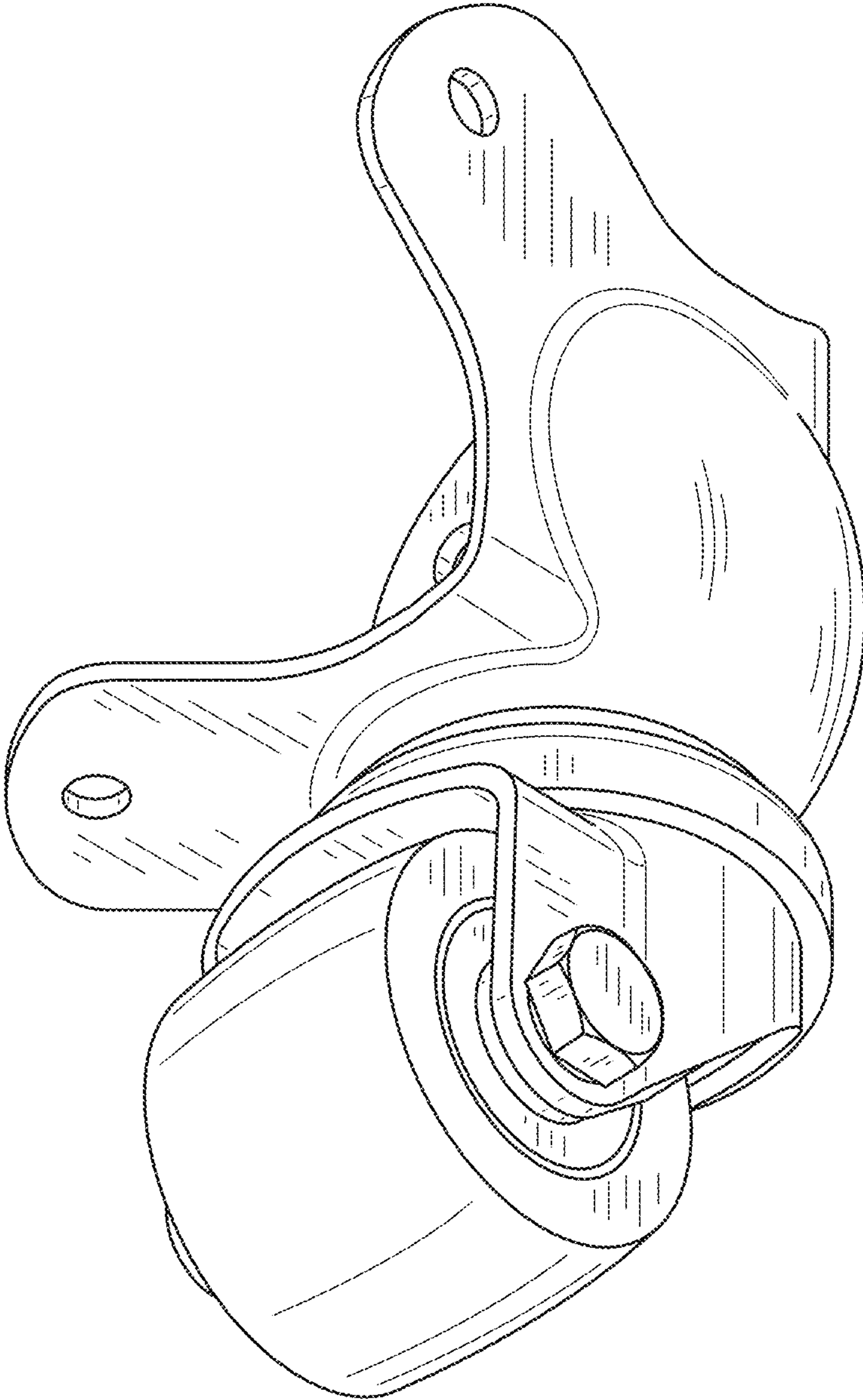


FIG.3

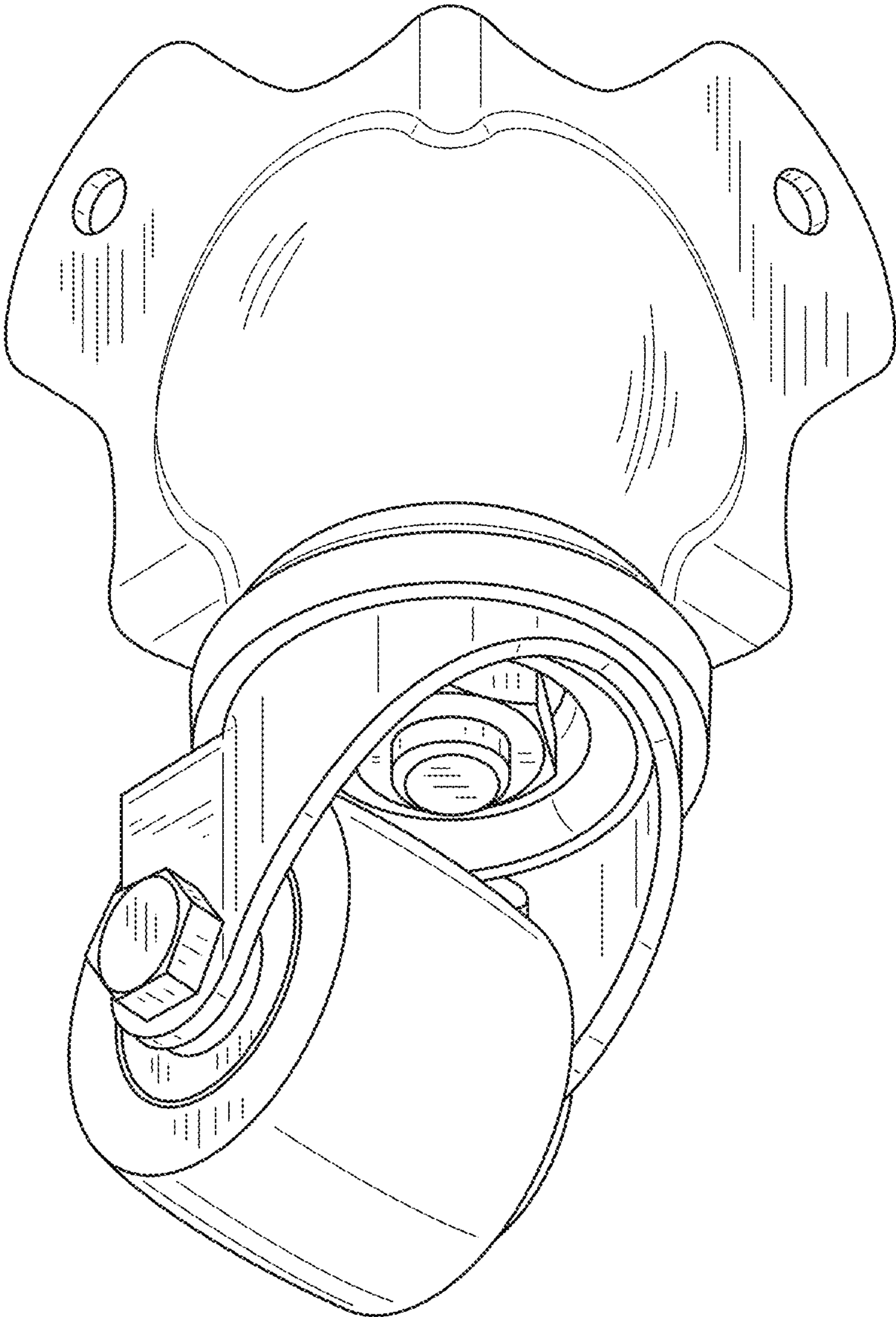


FIG.4

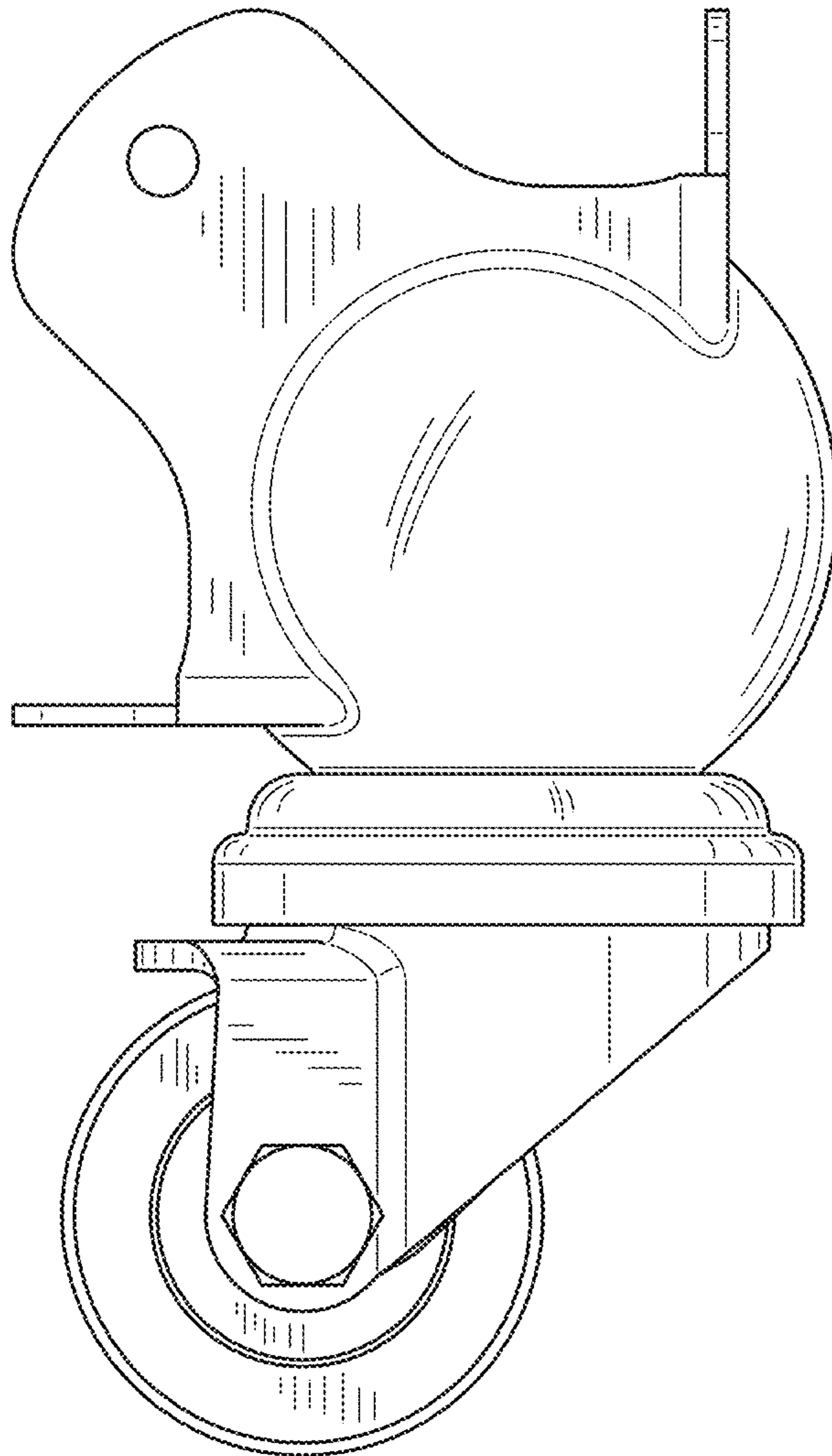


FIG.5

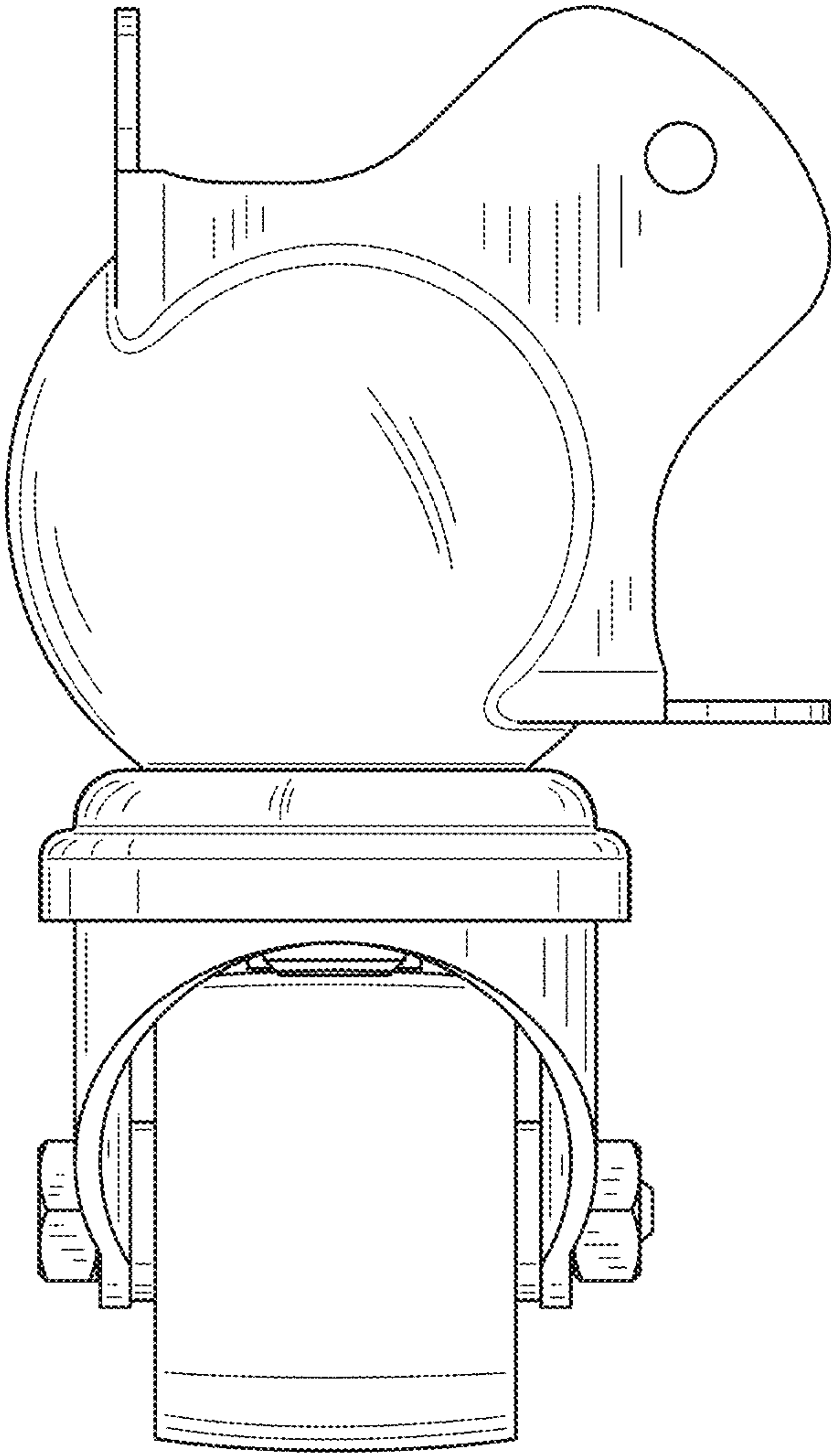


FIG. 6

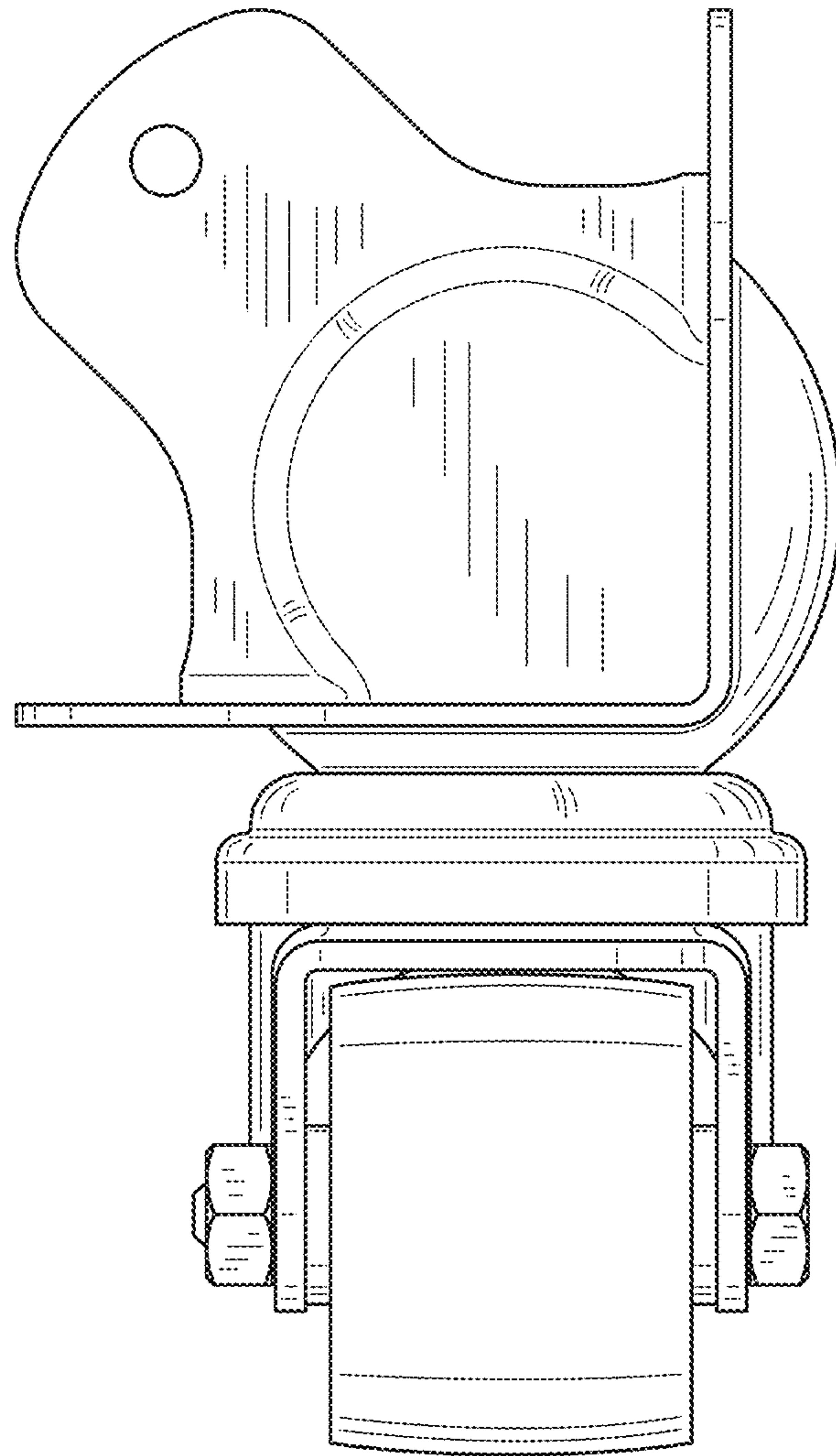


FIG. 7

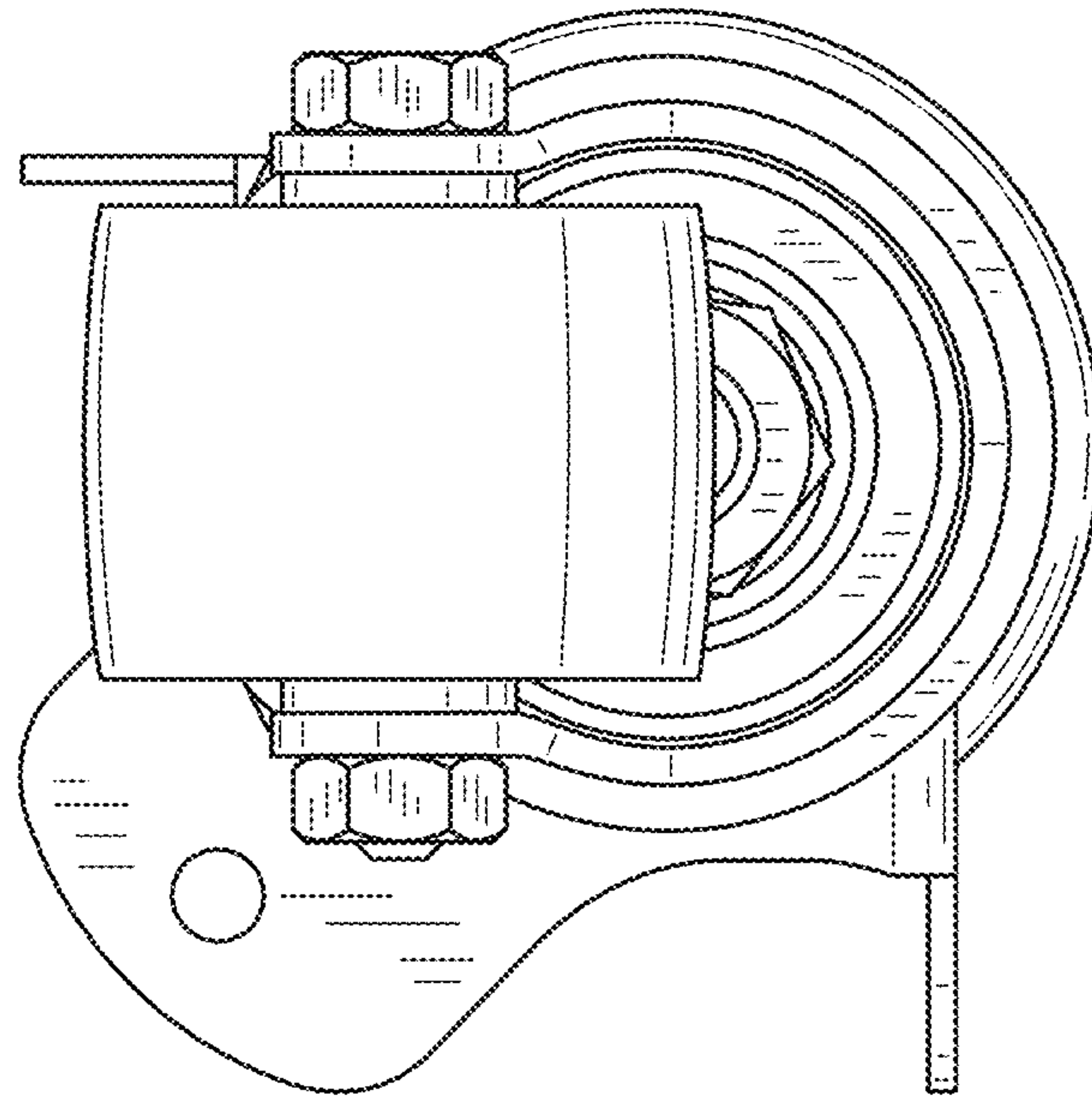


FIG.8

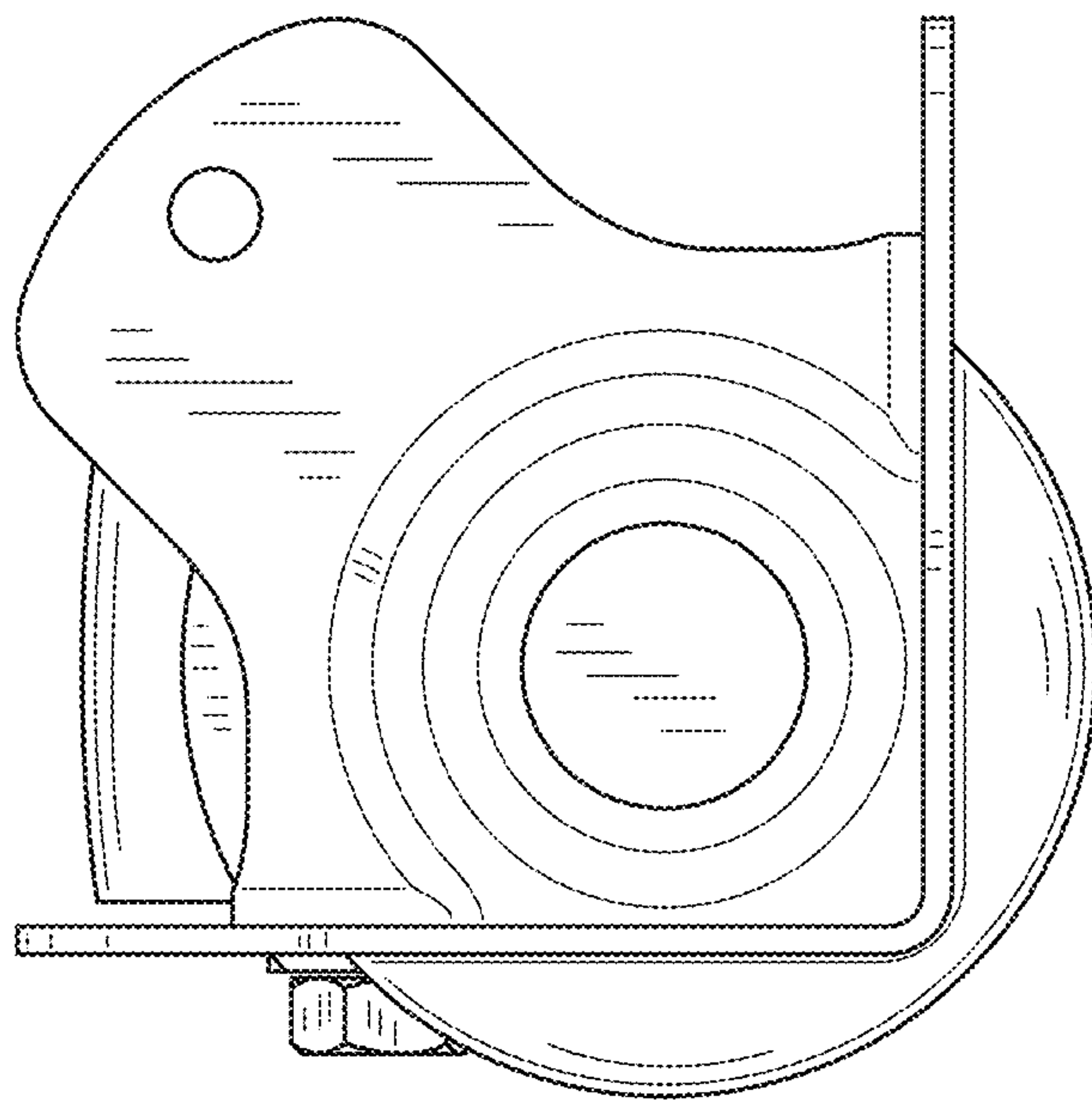


FIG.9

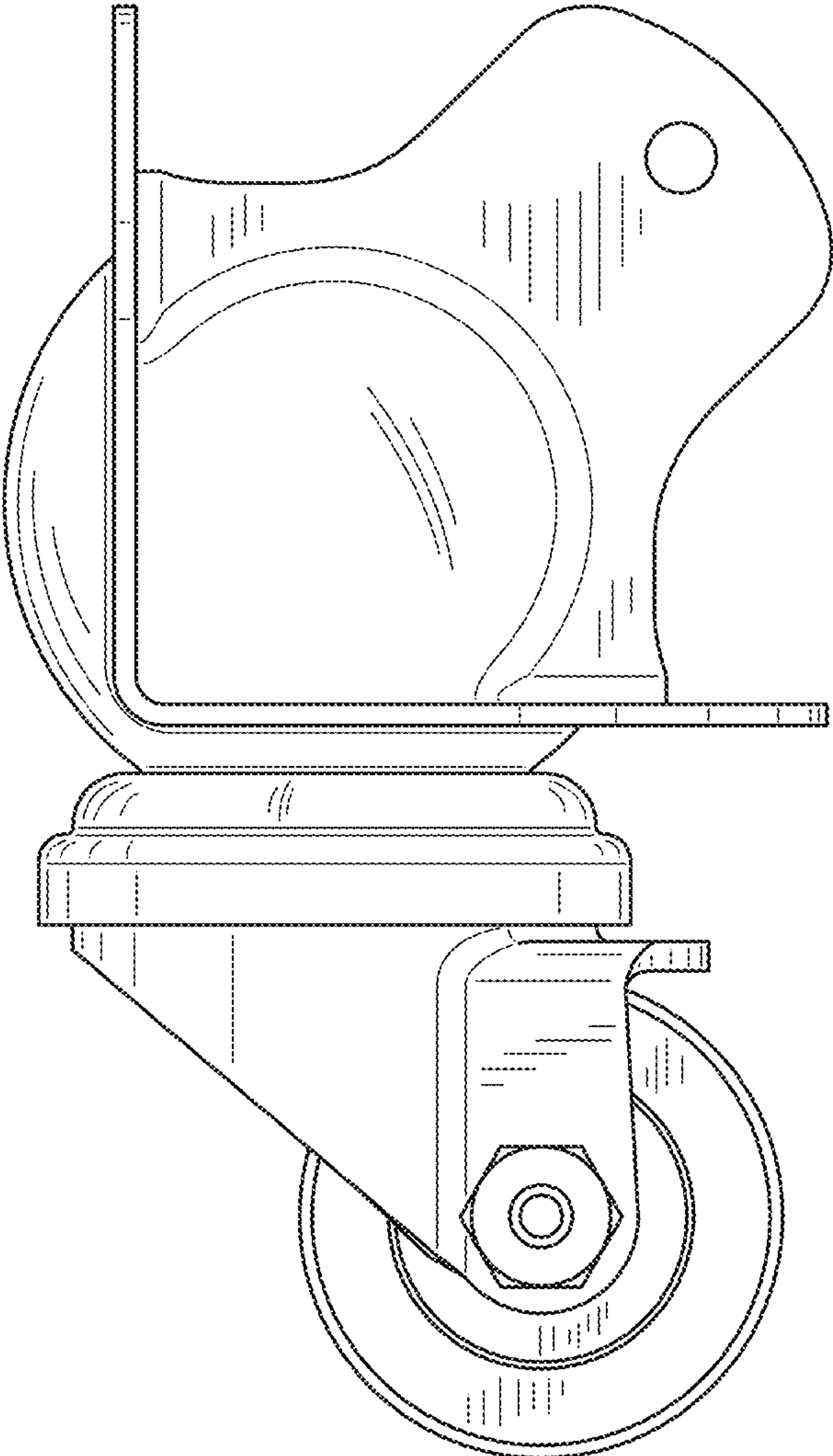


FIG.10