



US00D731295S

(12) **United States Design Patent**  
**Kelleghan**

(10) **Patent No.:** **US D731,295 S**  
(45) **Date of Patent:** **\*\* \*Jun. 9, 2015**

(54) **LINKED HEARTS CARABINERS**

FOREIGN PATENT DOCUMENTS

(71) Applicant: **Bison Designs LLC**, Longmont, CO  
(US)

JP D1156116 8/2002

(72) Inventor: **Brian James Kelleghan**, Longmont, CO  
(US)

Brighton, www.brighton.com website printout, Patchwork Valet Key Fob, earliest known on sale date Aug. 2008.

(73) Assignee: **Bison Designs, LLC**, Longmont, CO  
(US)

(Continued)

(\*) Notice: This patent is subject to a terminal disclaimer.

*Primary Examiner* — Cynthia Underwood

(74) *Attorney, Agent, or Firm* — Margaret Polson; Polson & Associates, PC

(\*\*) Term: **14 Years**

(57) **CLAIM**

(21) Appl. No.: **29/468,410**

The ornamental design for linked hearts carabiners, as shown and described.

(22) Filed: **Sep. 30, 2013**

**DESCRIPTION**

(51) **LOC (10) Cl.** ..... **08-05**

(52) **U.S. Cl.**  
USPC ..... **D8/356**

(58) **Field of Classification Search**  
USPC ..... D8/356, 354, 367, 349; D11/12, 56  
See application file for complete search history.

(56) **References Cited**

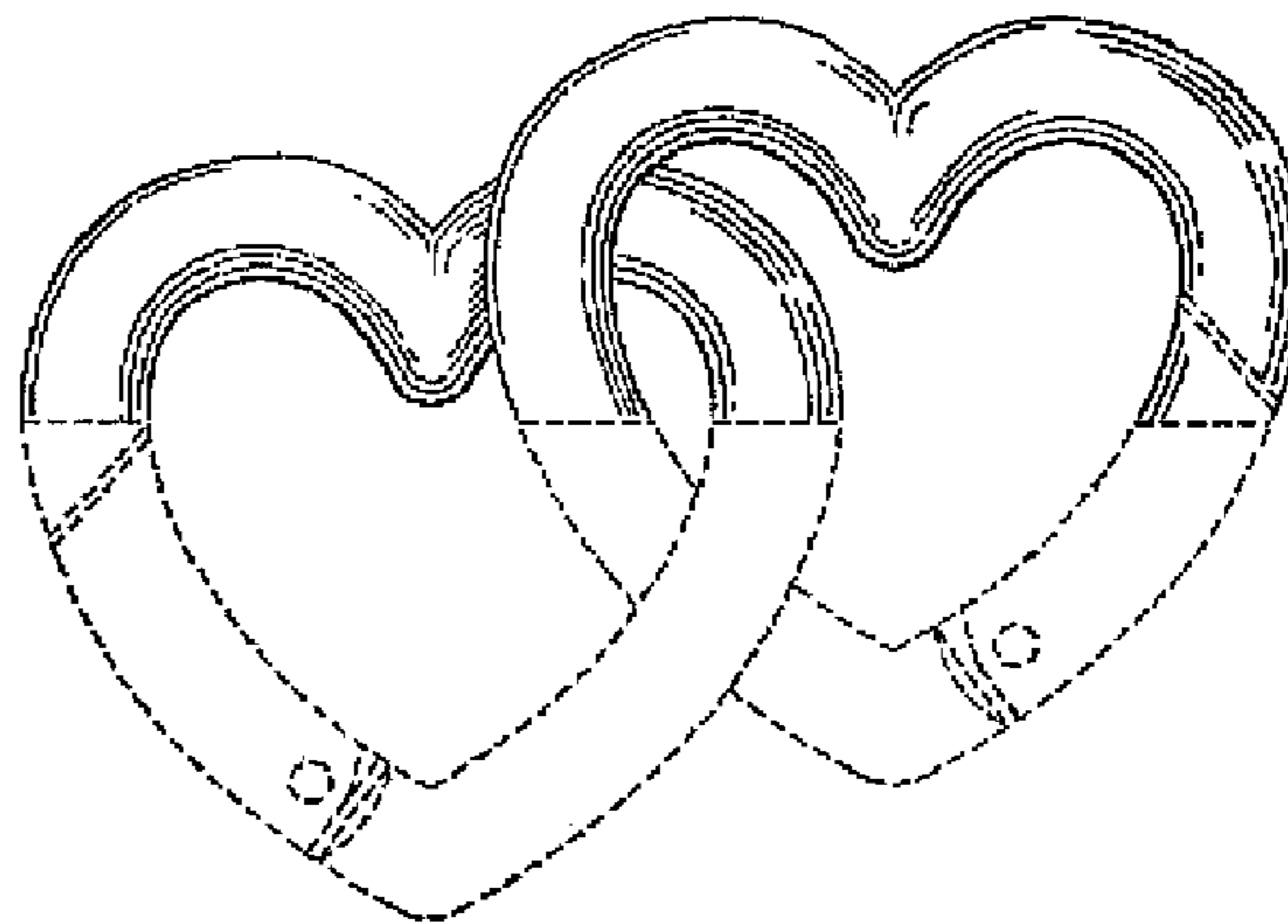
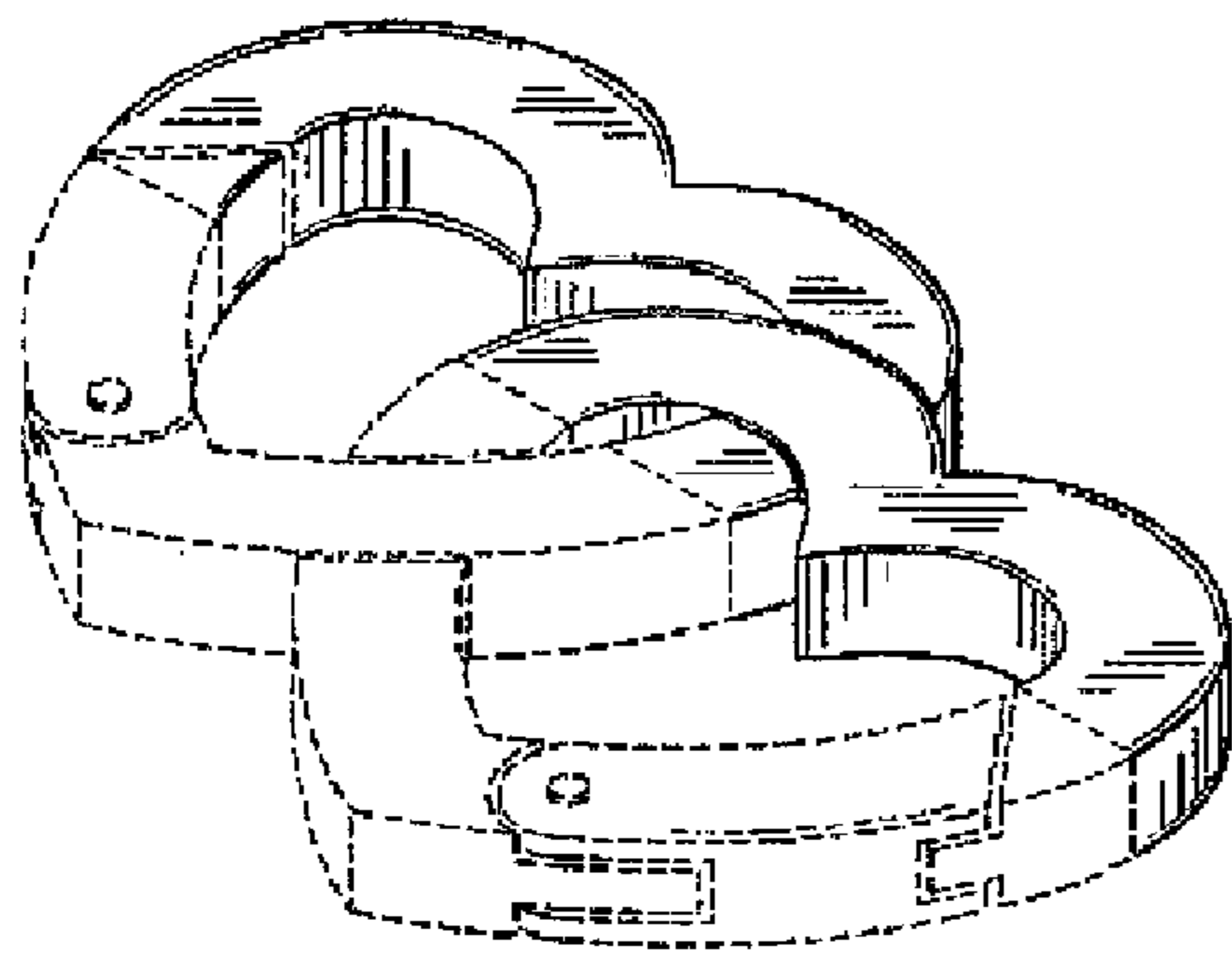
U.S. PATENT DOCUMENTS

582,780 A	5/1897	Eldridge
D33,634 S	12/1900	Lord
760,171 A	5/1904	Atwell
2,183,994 A	12/1938	Lindquist
2,797,561 A	7/1957	Vaughn
4,065,833 A	1/1978	Bender
D302,831 S	8/1989	Lau
5,390,510 A	2/1995	Tirio-Cloonan
D392,912 S	3/1998	Roos et al.
D398,876 S	9/1998	Kothari
5,940,943 A	8/1999	Kloster

(Continued)

FIG. 1 is a front elevation view of my new design for a linked hearts carabiner, the broken lines are included for illustrative purposes only and forms no part of the claimed design.  
 FIG. 2 is a back elevation view of FIG. 1.  
 FIG. 3 is a left side elevation view of FIG. 1.  
 FIG. 4 is a right side elevation view of FIG. 1.  
 FIG. 5 is a top plan view of FIG. 1.  
 FIG. 6 is a bottom plan view of FIG. 1.  
 FIG. 7 is a front perspective view of FIG. 1.  
 FIG. 8 is a front elevation view of a second embodiment of my new design for a linked hearts carabiner, the broken lines are included for illustrative purposes only and forms no part of the claimed design.  
 FIG. 9 is a back elevation view of FIG. 8.  
 FIG. 10 is a left side elevation view of FIG. 8.  
 FIG. 11 is a right side elevation view of FIG. 8.  
 FIG. 12 is a top plan view of FIG. 8; and,  
 FIG. 13 is a bottom plan view of FIG. 8.

**1 Claim, 2 Drawing Sheets**



(56)

**References Cited**

U.S. PATENT DOCUMENTS

D447,932 S	9/2001	Kelleghan	
D465,146 S	11/2002	Kopplin	
D487,014 S	2/2004	Kelleghan	
D488,371 S *	4/2004	Shaljian .....	D8/354
D492,188 S	6/2004	Goldberg	
D509,128 S *	9/2005	Kelleghan .....	D8/356
D513,972 S	1/2006	Goldberg	
D550,113 S *	9/2007	Osterbaek .....	D11/56
D592,943 S	5/2009	Kamangar et al.	
D607,712 S	1/2010	Kelleghan	
D626,393 S	11/2010	Ormsbee	
D628,874 S *	12/2010	Buerchner et al. ....	D8/356
D646,556 S	10/2011	Kelleghan	
D658,042 S *	4/2012	Shetler .....	D8/356
D686,102 S *	7/2013	Shlakman .....	D11/26

OTHER PUBLICATIONS

Brighton, Spring 1998 Brighton Handbag Catalogue, double heart belt, 2 pages, 1998.

Brighton, Holiday 1998 Brighton Jewelry Catalogue, collectible hearts post earrings and caroline necklace, 3 pages, 1998.

Brighton, 1999 Brighton Handbag Catalogue, corazon double handle hearts bag, 2 pages, 1999.

Brighton, 1999 Brighton Small Leather Essentials Catalogue, double heart bracelets, 3 pages, 1999.

Brighton, 1999 Brighton Jewelry, double heart earrings and double heart pin, 3 pages, 1999.

Brighton, 1999 Brighton Collections Catalogue, double heart belt, double heart pin, double heart earrings, 5 pages, 1999.

Brighton, 2000 Brighton Small Leather Essentials Catalogue, spinning hearts and camelot reversible key fob, 3 pages, 2000.

Brighton, 2001 Brighton Jewelry Catalogue, notre dame bracelet and charmed heart, 3 pages, 2001.

Brighton, 2002 Brighton Jewelry Catalogue, locket necklace, 2 pages, 2002.

Brighton, Sample Specification Drawings, 1 page, Apr. 8, 2002.

Brighton, Defendant's Motion for Partial Summary Judgment on Invalidity of US Patent No. D487,014 and Memorandum in Support Exhibit A, US District Court, District of Colorado, Case No. 12-CV-02180, 11 pages, Filed Aug. 2, 2013.

Brighton, Defendant's Response to Plaintiff Bison Designs, LLC's Motion For Partial Summary Judgment Exhibit M, US District Court, District of Colorado, Case No. 12-CV-02180, 4 pp., Filed Aug. 30, 2013.

\* cited by examiner

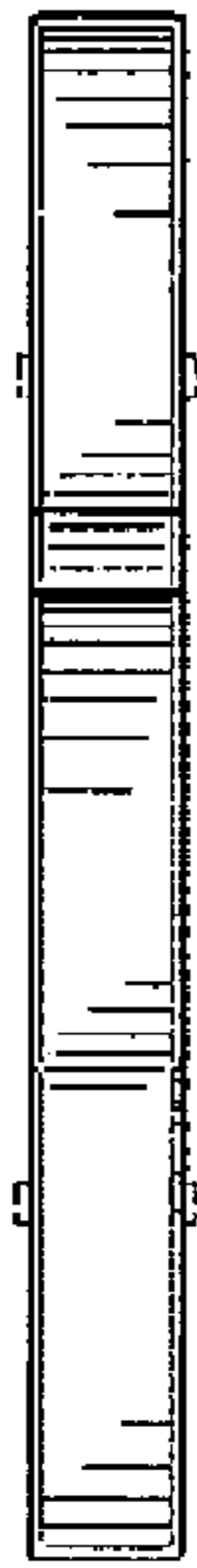


FIG. 5



FIG. 3

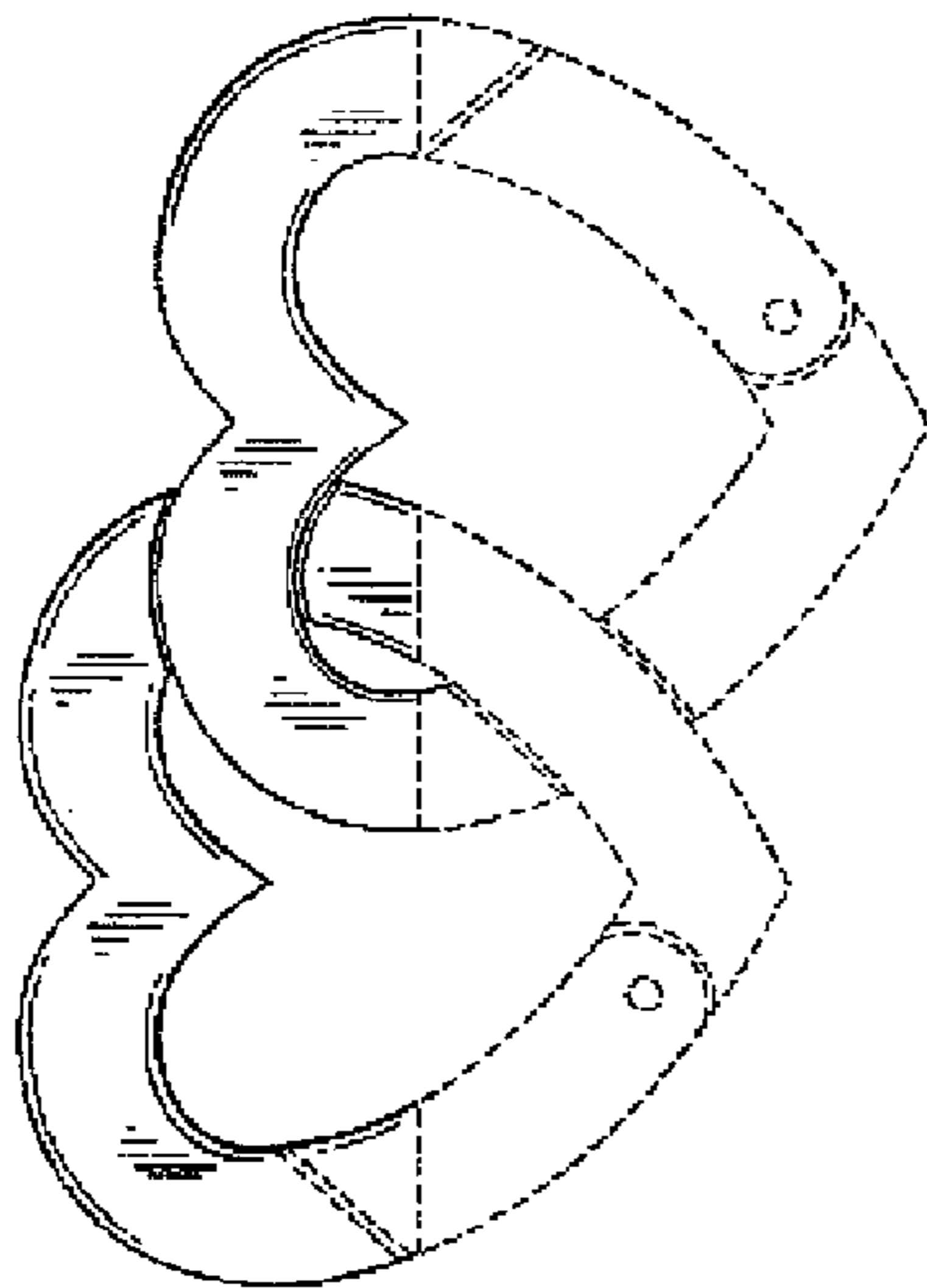


FIG. 1

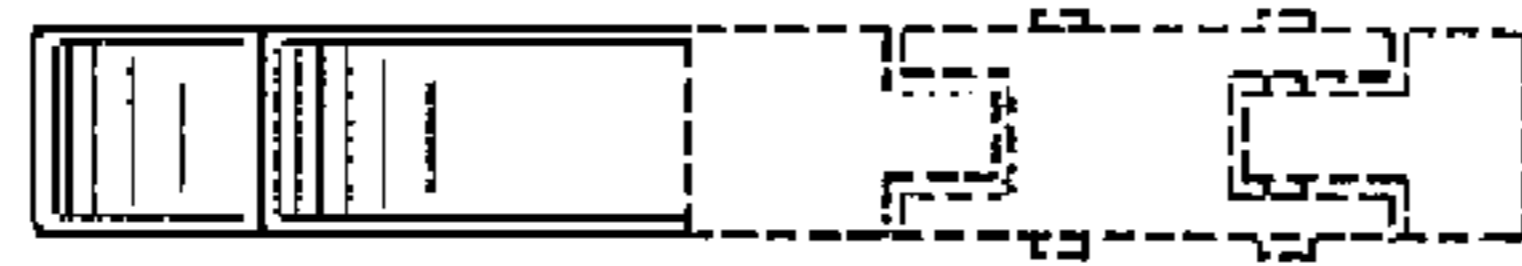


FIG. 4

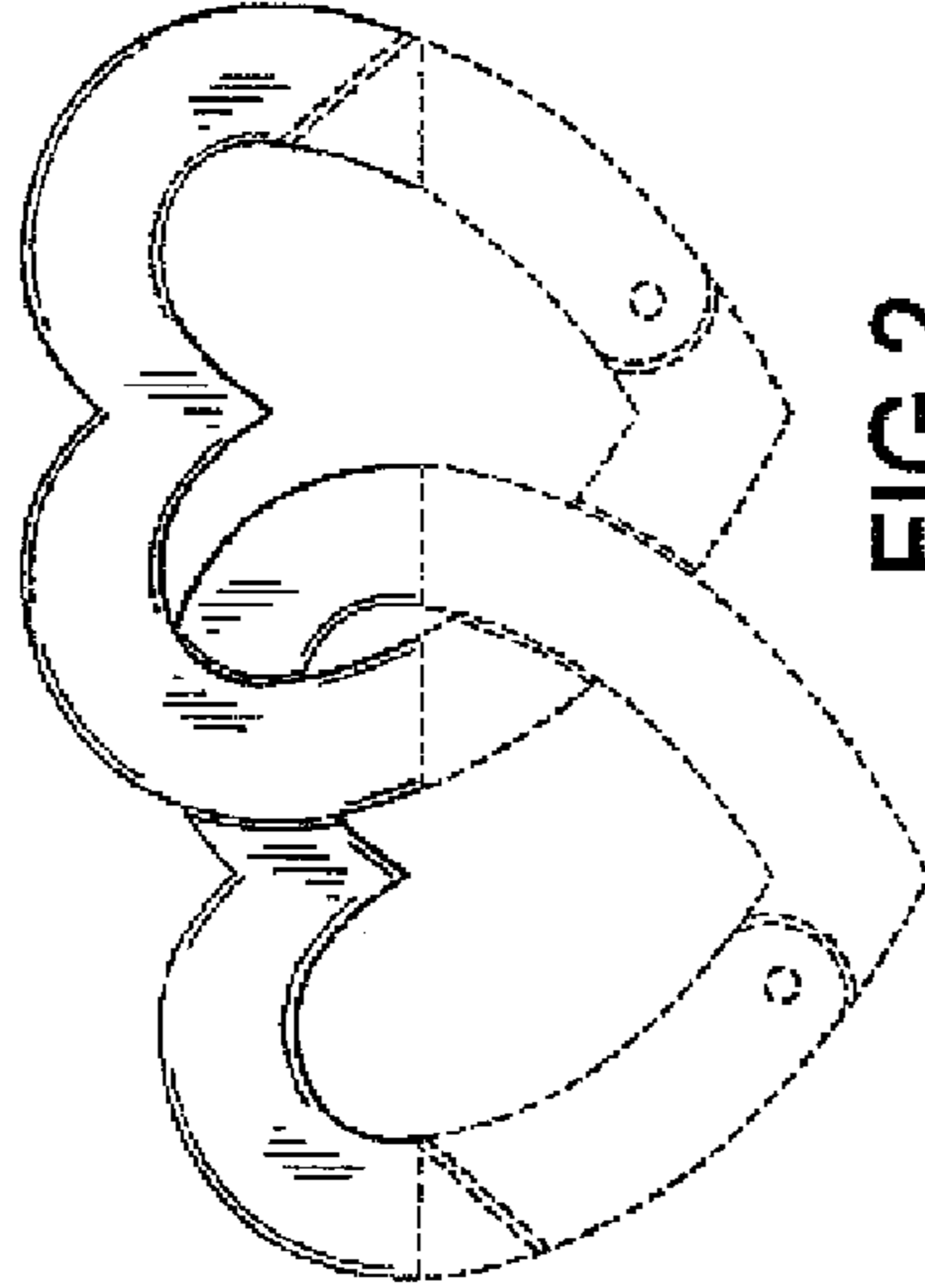


FIG. 2

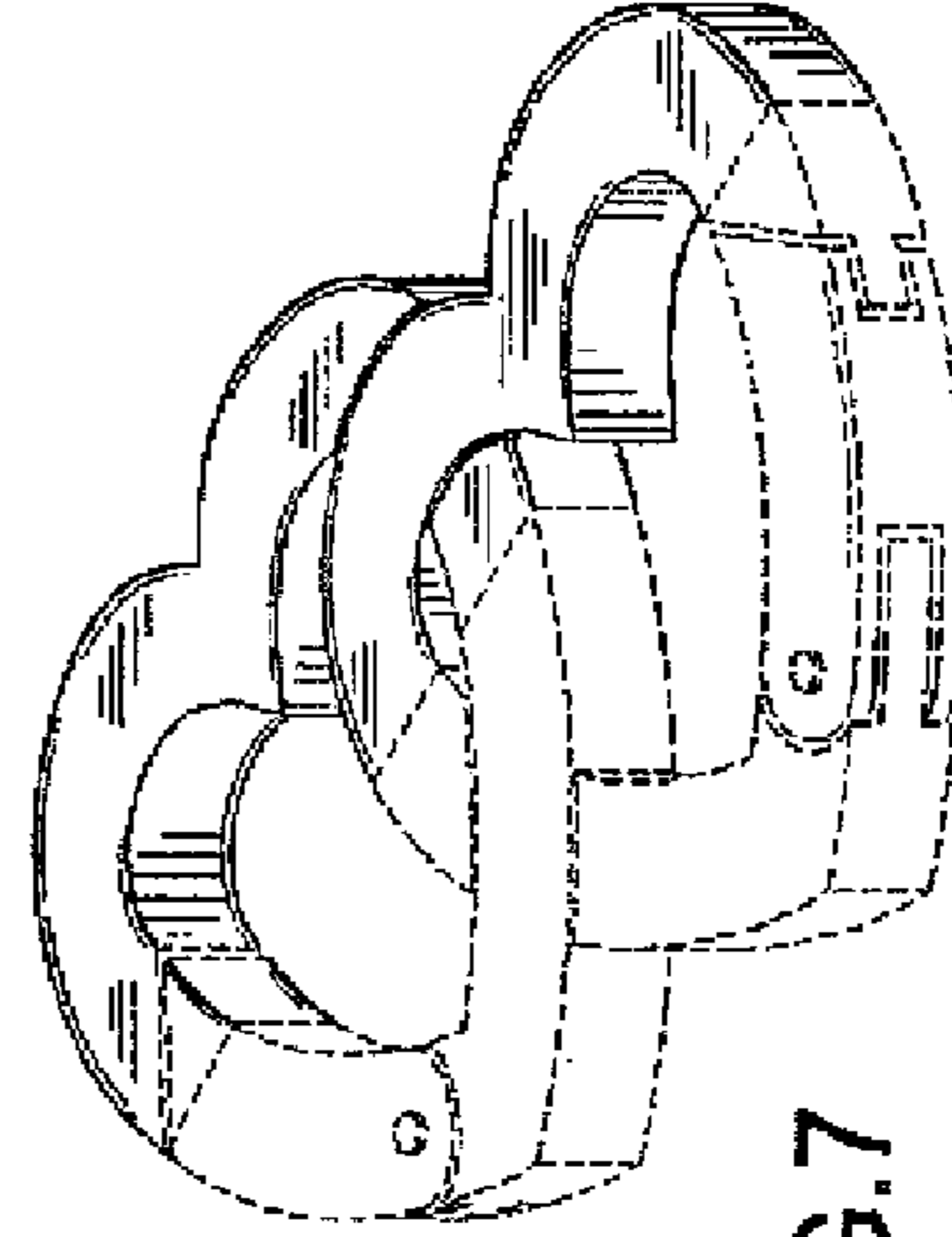


FIG. 7



FIG. 6

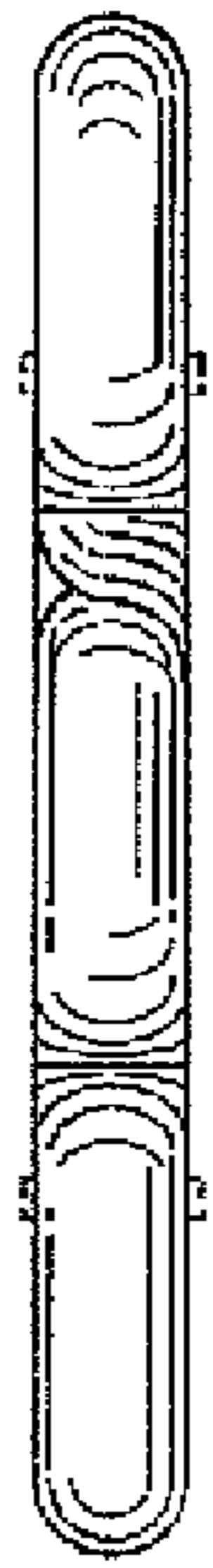


FIG. 12



FIG. 10

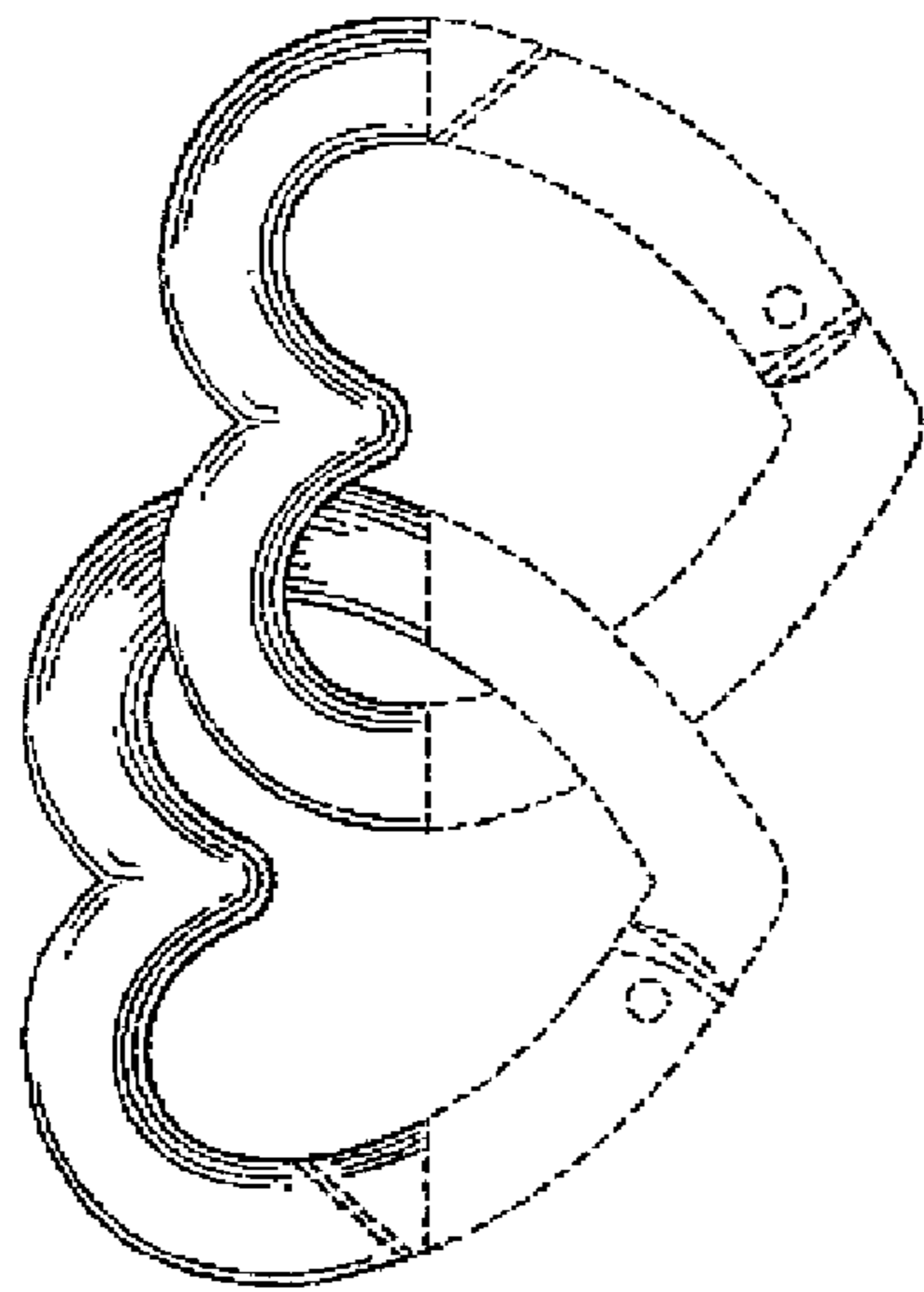


FIG. 8



FIG. 11

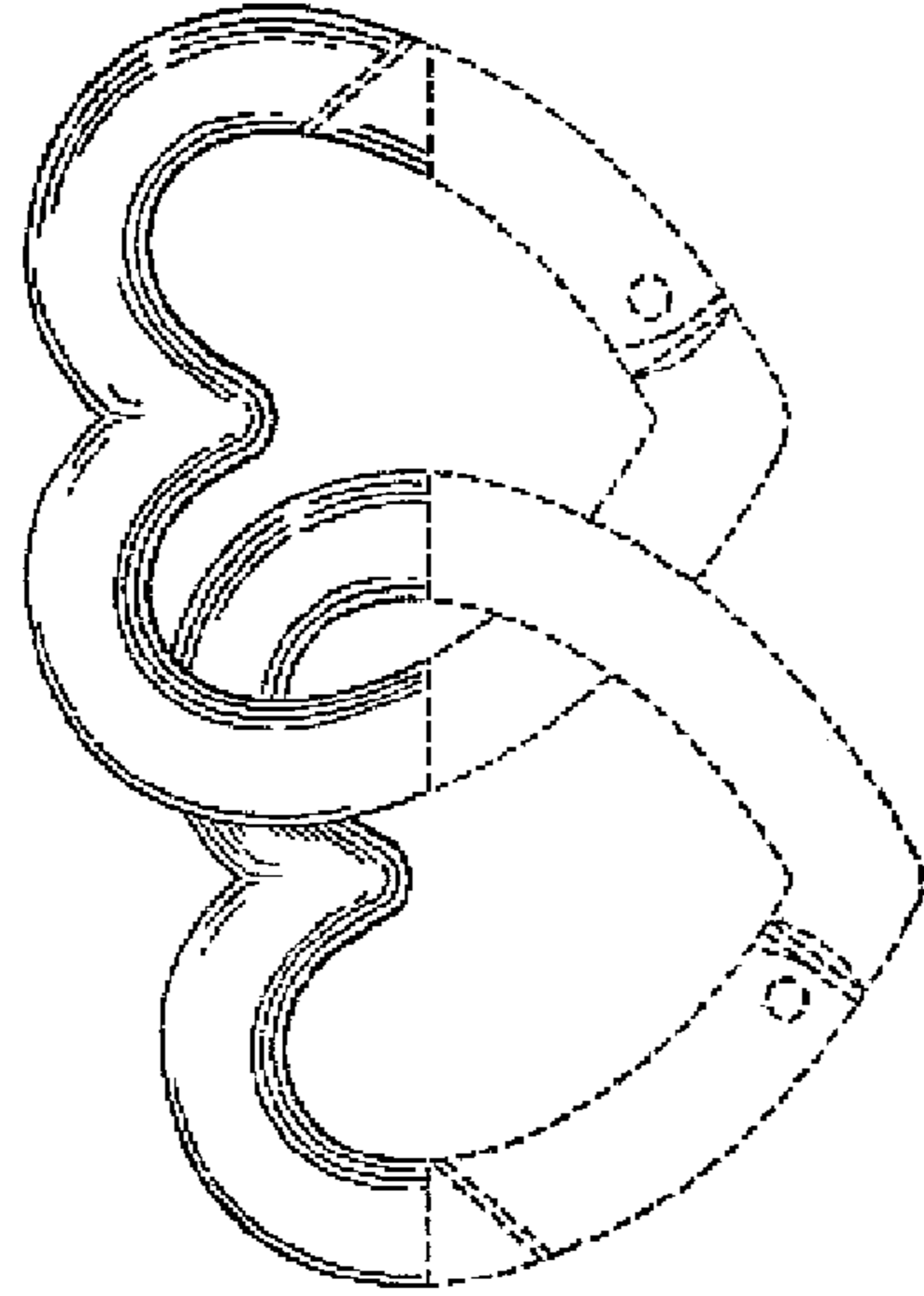


FIG. 9

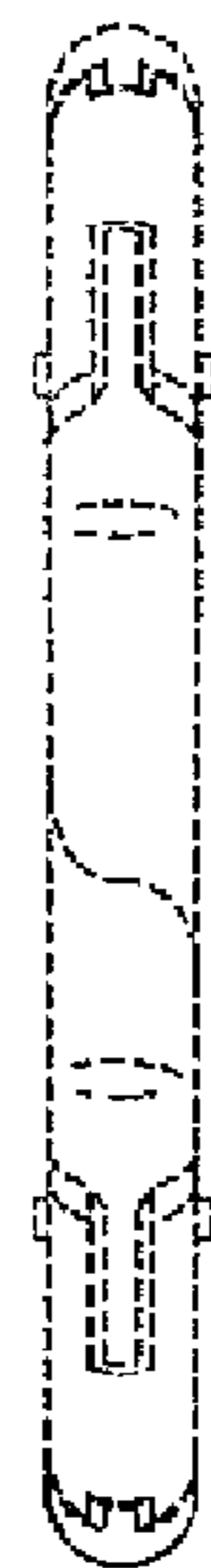


FIG. 13