



US00D731294S

(12) **United States Design Patent**
Swan et al.

(10) **Patent No.:** **US D731,294 S**
(45) **Date of Patent:** **** Jun. 9, 2015**

- (54) **TACTICAL GEAR BELT MOUNT**
- (71) Applicant: **S & S Precision, LLC**, Virginia Beach, VA (US)
- (72) Inventors: **Johnny E. Swan**, Virginia Beach, VA (US); **Andrew C. Borland**, Virginia Beach, VA (US); **William-Joseph Basan Elizalde**, Virginia Beach, VA (US)
- (73) Assignee: **S & S Precision, LLC**, Virginia Beach, VA (US)
- (**) Term: **14 Years**
- (21) Appl. No.: **29/468,031**
- (22) Filed: **Sep. 26, 2013**
- (51) **LOC (10) Cl.** **08-05**
- (52) **U.S. Cl.**
USPC **D8/356**
- (58) **Field of Classification Search**
USPC D8/367, 354, 349, 356; 248/227.2, 215, 248/231.81, 304, 309.1
See application file for complete search history.

D511,960 S *	11/2005	Ogino	D8/354
D525,168 S *	7/2006	Pontaoe	D11/208
D542,123 S *	5/2007	Symons	D8/356
D592,939 S *	5/2009	Kelleghan	D8/356
D625,654 S *	10/2010	Spater	D11/210
D625,985 S *	10/2010	Mori et al.	D8/356
D630,495 S *	1/2011	Allina et al.	D8/356
D649,907 S *	12/2011	Kataguchi	D11/218
D661,573 S *	6/2012	Paik et al.	D8/367
D682,663 S *	5/2013	Evon	D8/367

* cited by examiner

Primary Examiner — Cynthia Underwood

(74) *Attorney, Agent, or Firm* — Kilpatrick Townsend & Stockton LLP

(57) **CLAIM**

The ornamental design for a tactical gear belt mount, as shown and described.

DESCRIPTION

FIG. 1 is a front perspective view of a first embodiment of a tactical gear belt mount showing our new design; FIG. 2 is a top view thereof; FIG. 3 is a bottom view thereof; FIG. 4 is a right side view thereof; FIG. 5 is a left side view thereof; FIG. 6 is a front view thereof; and, FIG. 7 is a back view thereof.

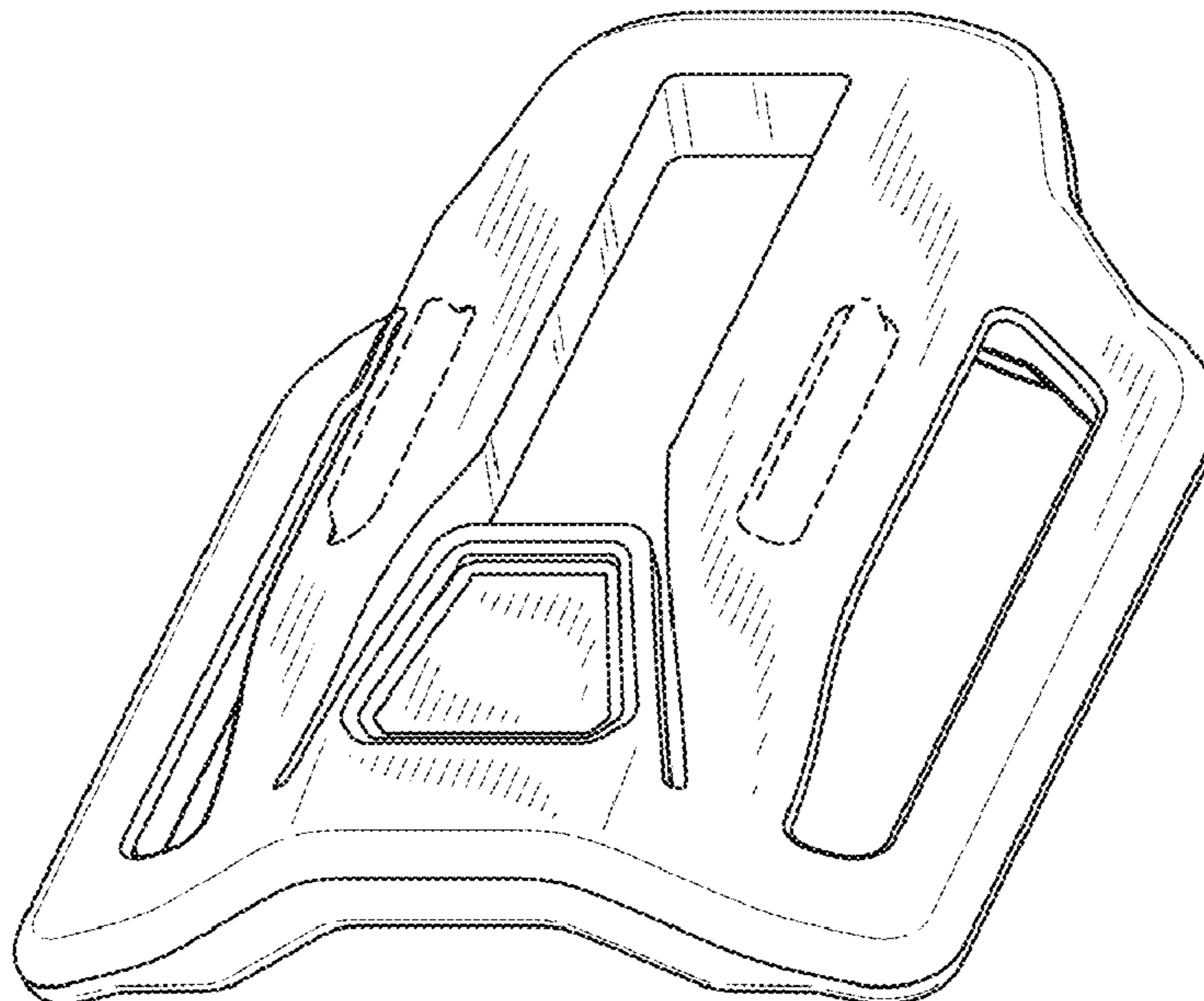
The broken line portions of the back surface shown in FIG. 7 are shown to illustrate environment only and form no part of the claimed design.

1 Claim, 2 Drawing Sheets

(56) **References Cited**

U.S. PATENT DOCUMENTS

5,949,339 A *	9/1999	Ettinger et al.	340/573.1
D458,870 S *	6/2002	Anscher	D11/218
D473,782 S *	4/2003	Wu et al.	D8/356
D480,841 S *	10/2003	Bird	D30/138
D507,509 S *	7/2005	Hou	D11/218
D509,459 S *	9/2005	Pontaoe	D11/208



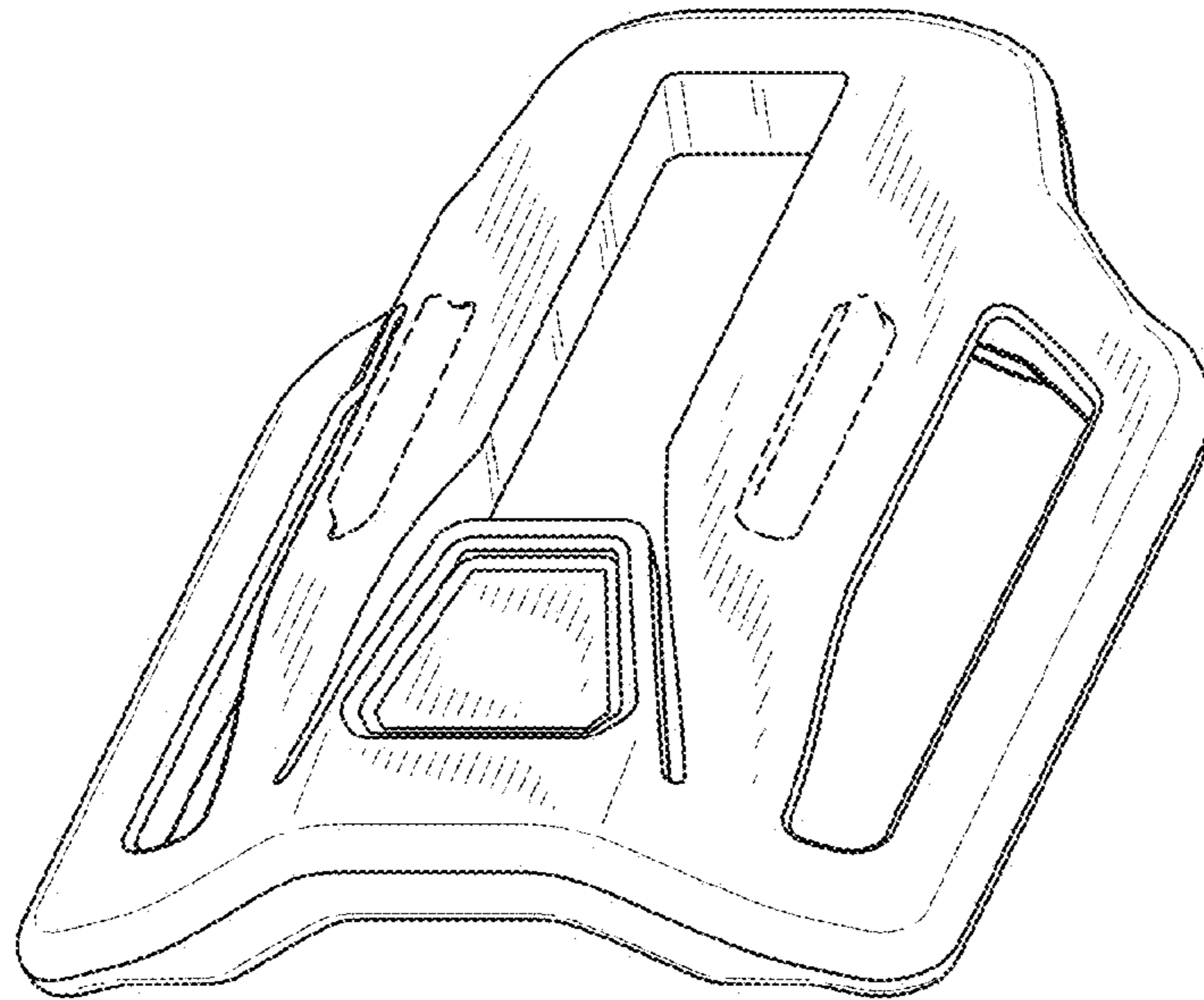


FIG. 1

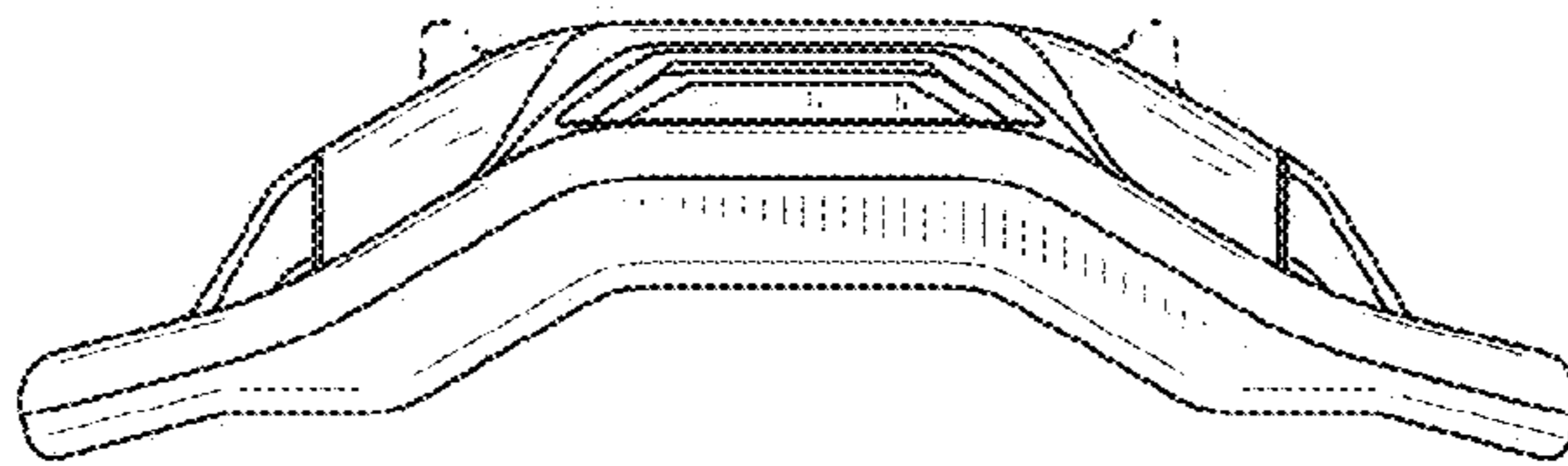


FIG. 2

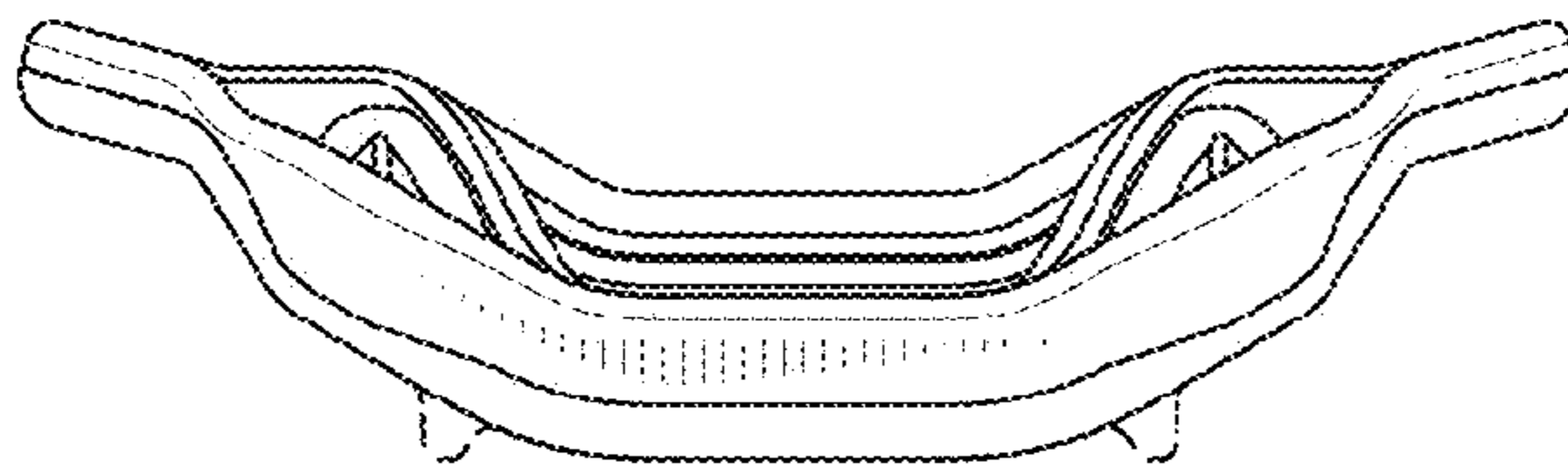


FIG. 3

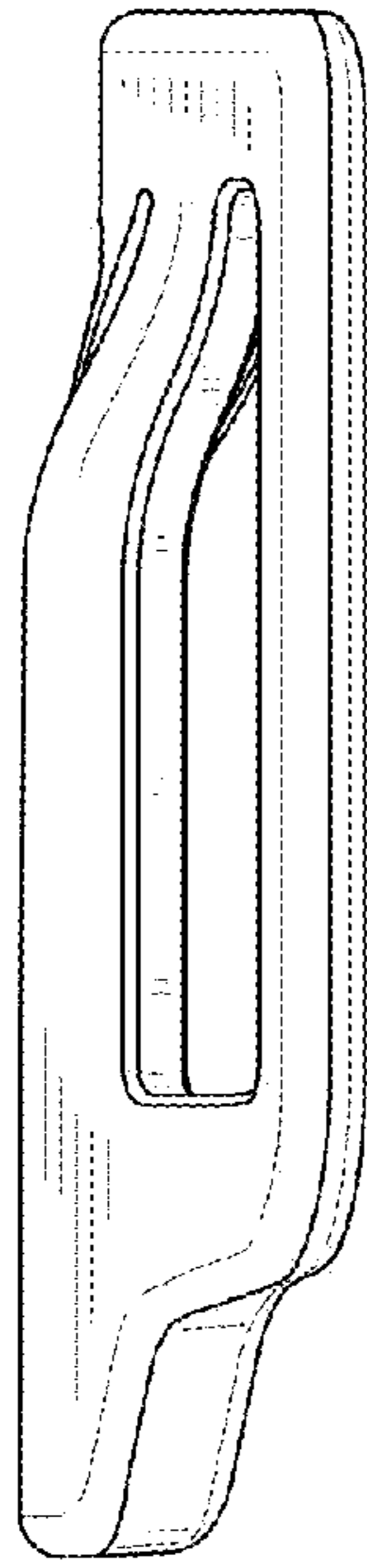


FIG. 4

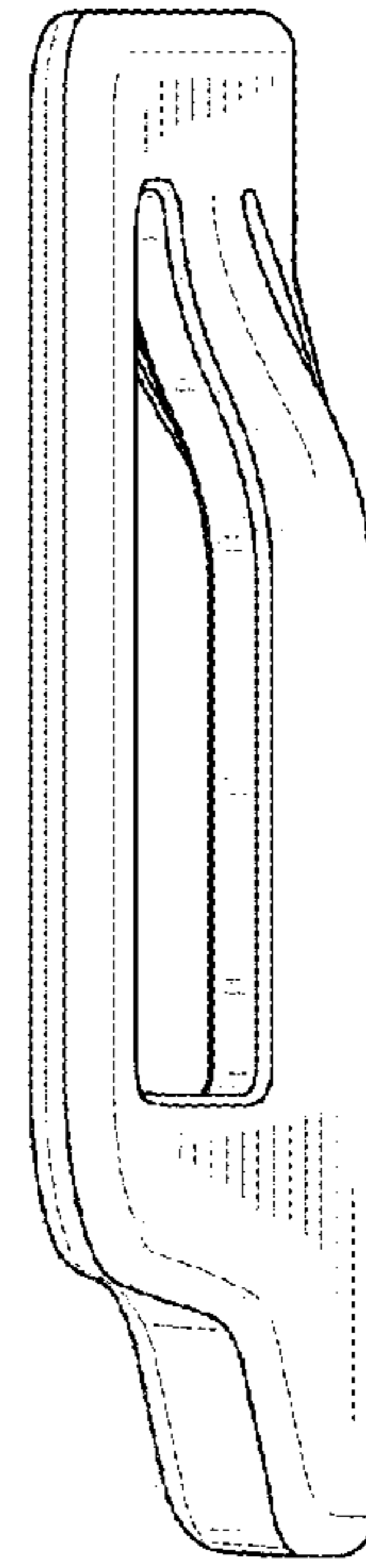


FIG. 5

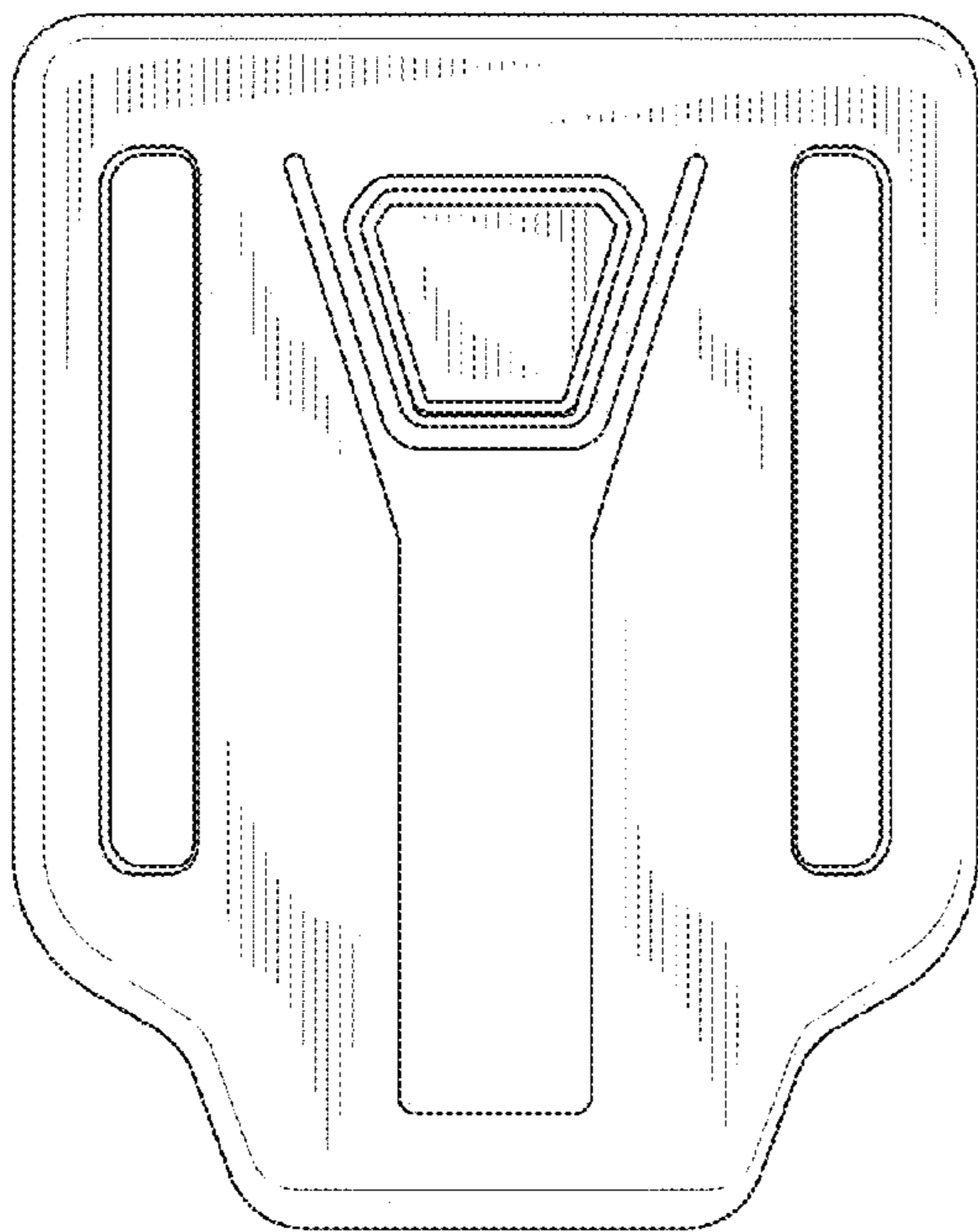


FIG. 6

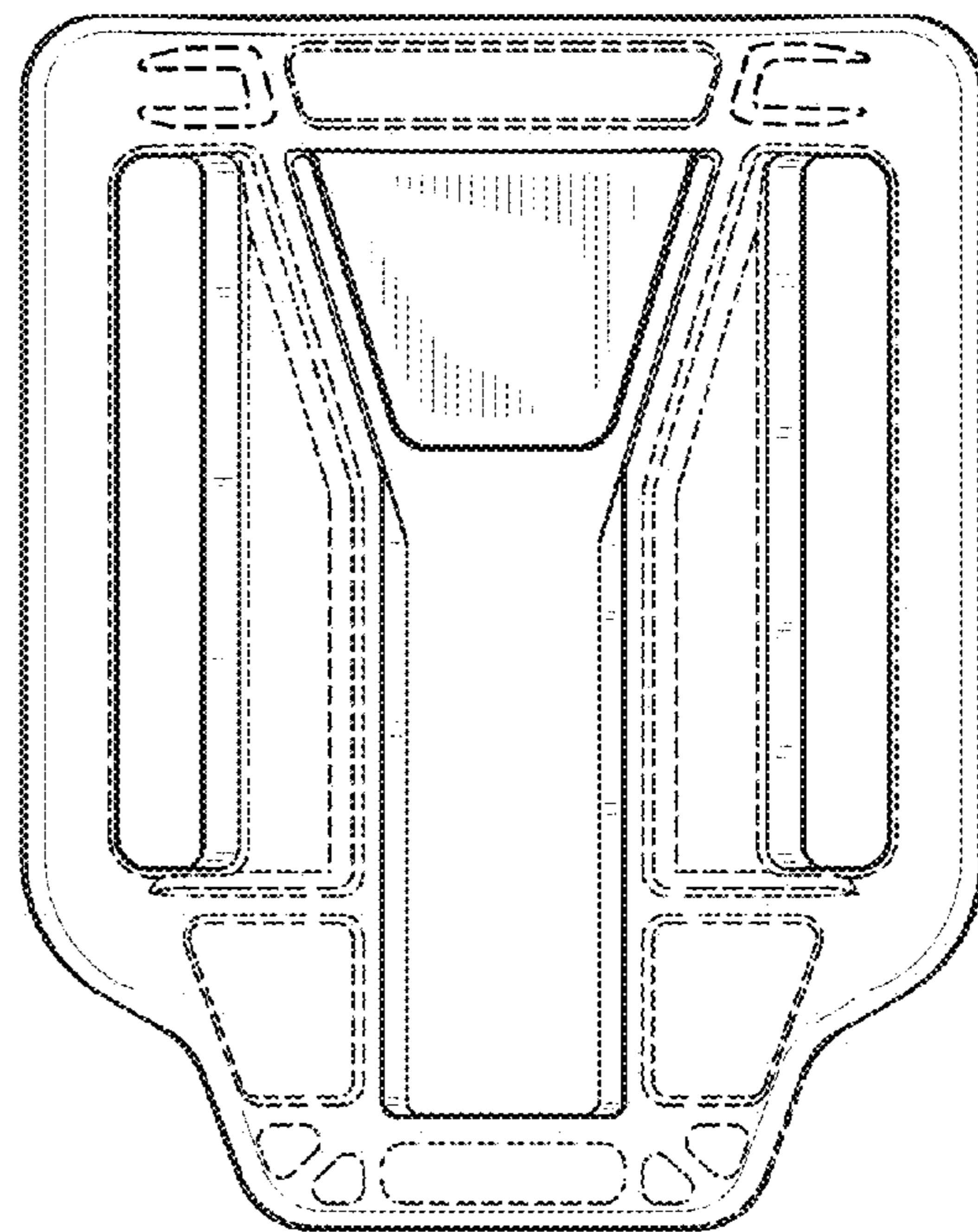


FIG. 7