

US00D731293S

(12) **United States Design Patent**
Fretz

(10) **Patent No.:** **US D731,293 S**
(45) **Date of Patent:** **** Jun. 9, 2015**

(54) **HAWSE FAIRLEAD**

(71) Applicant: **Warn Industries, Inc.**, Clackamas, OR
(US)

(72) Inventor: **Darren G. Fretz**, Canby, OR (US)

(73) Assignee: **Warn Industries, Inc.**, Clackamas, OR
(US)

(**) Term: **14 Years**

(21) Appl. No.: **29/446,624**

(22) Filed: **Feb. 26, 2013**

(51) **LOC (10) Cl.** **08-05**

(52) **U.S. Cl.**
USPC **D8/356**

(58) **Field of Classification Search**
USPC D8/356, 358, 359, 19, 16, 45; 242/395,
242/405.3, 405.2, 118.7, 542.4, 160.4, 366,
242/400, 370, 400.1; D3/24; D15/16;
D10/61, 62; 33/414, 413; D12/162,
D12/223; 254/397; 160/370; 114/101, 200

See application file for complete search history.

(56) **References Cited**

U.S. PATENT DOCUMENTS

D351,552 S *	10/1994	Williams	D8/356
D565,935 S *	4/2008	Selby	D8/356
D571,190 S *	6/2008	Spadotto	D8/356
D649,017 S *	11/2011	Stieler	D8/356
D670,995 S *	11/2012	Stieler	D8/356
D715,623 S *	10/2014	Holtby et al.	D8/356

* cited by examiner

Primary Examiner — Robert M Spear

Assistant Examiner — Eliza Bennett-Hattan

(74) *Attorney, Agent, or Firm* — Alleman Hall McCoy
Russell & Tuttle LLP

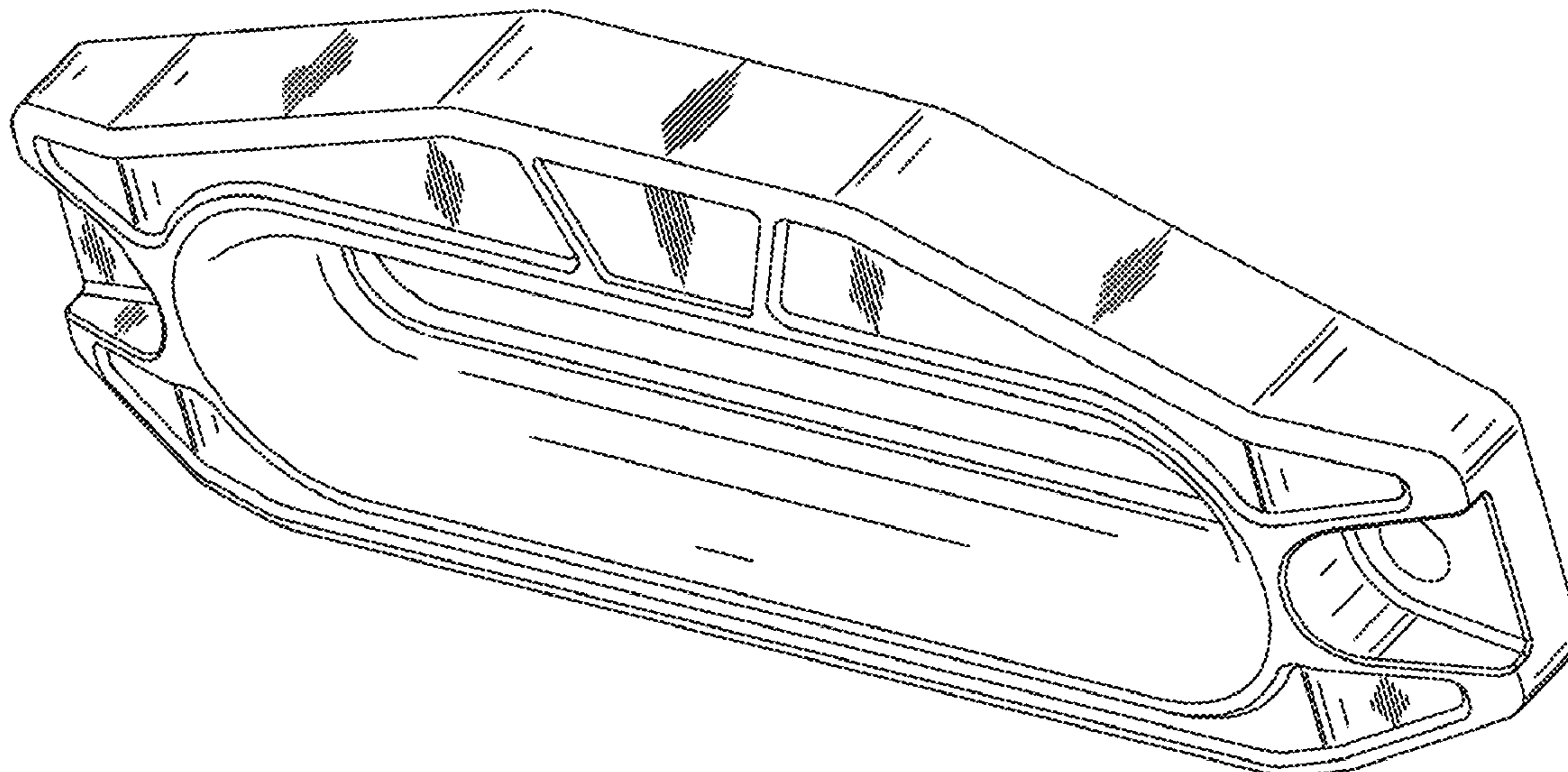
(57) **CLAIM**

The ornamental design for a hawse fairlead, as shown and described.

DESCRIPTION

FIG. 1 is a front perspective view of a hawse fairlead;
FIG. 2 is a front plan view thereof;
FIG. 3 is a top plan view thereof;
FIG. 4 is a bottom plan view thereof; and,
FIG. 5 is a right side plan view thereof (the left side view is a mirror image).
The back side view is non-ornamental.

1 Claim, 3 Drawing Sheets



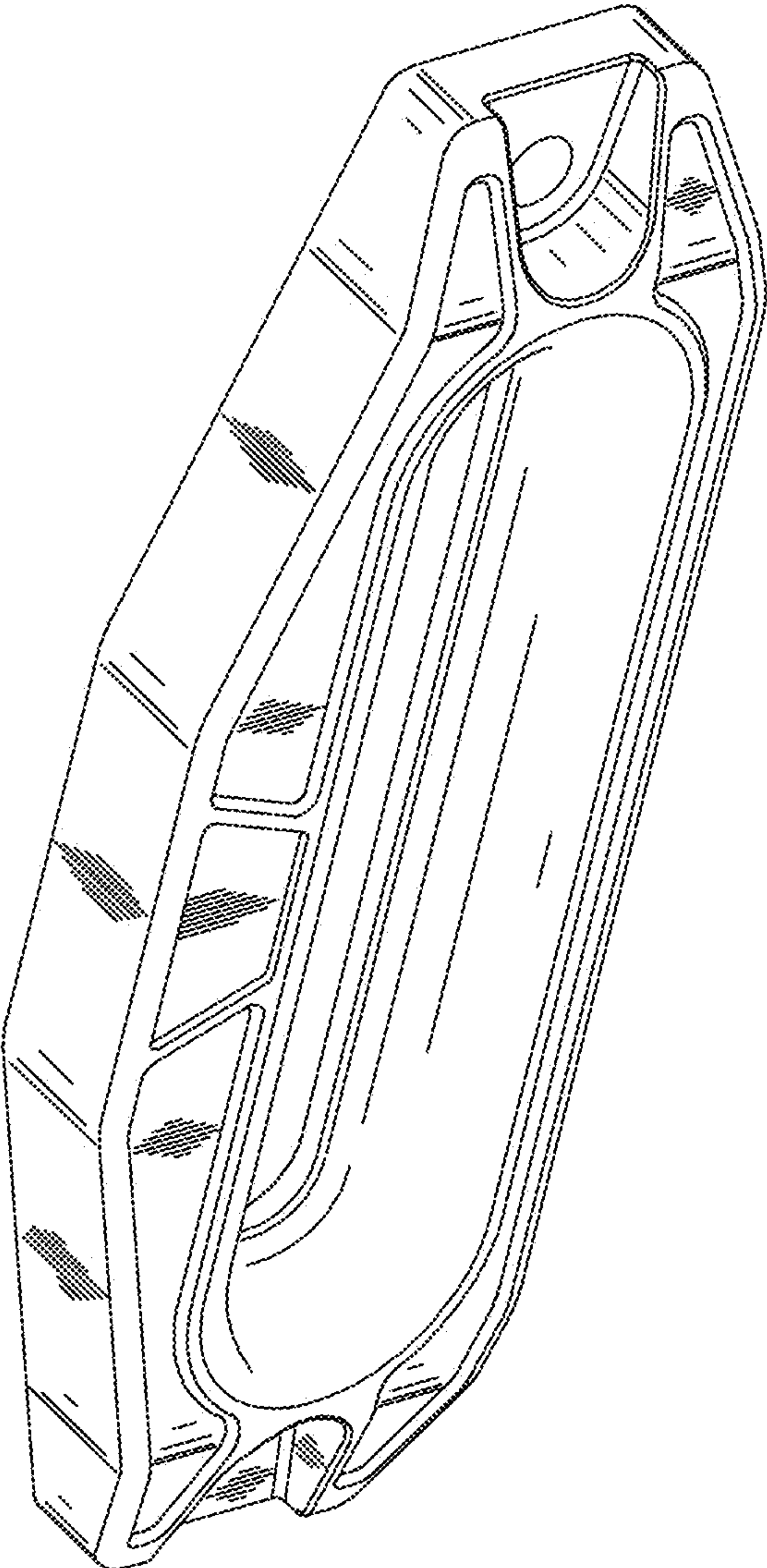


FIG 1

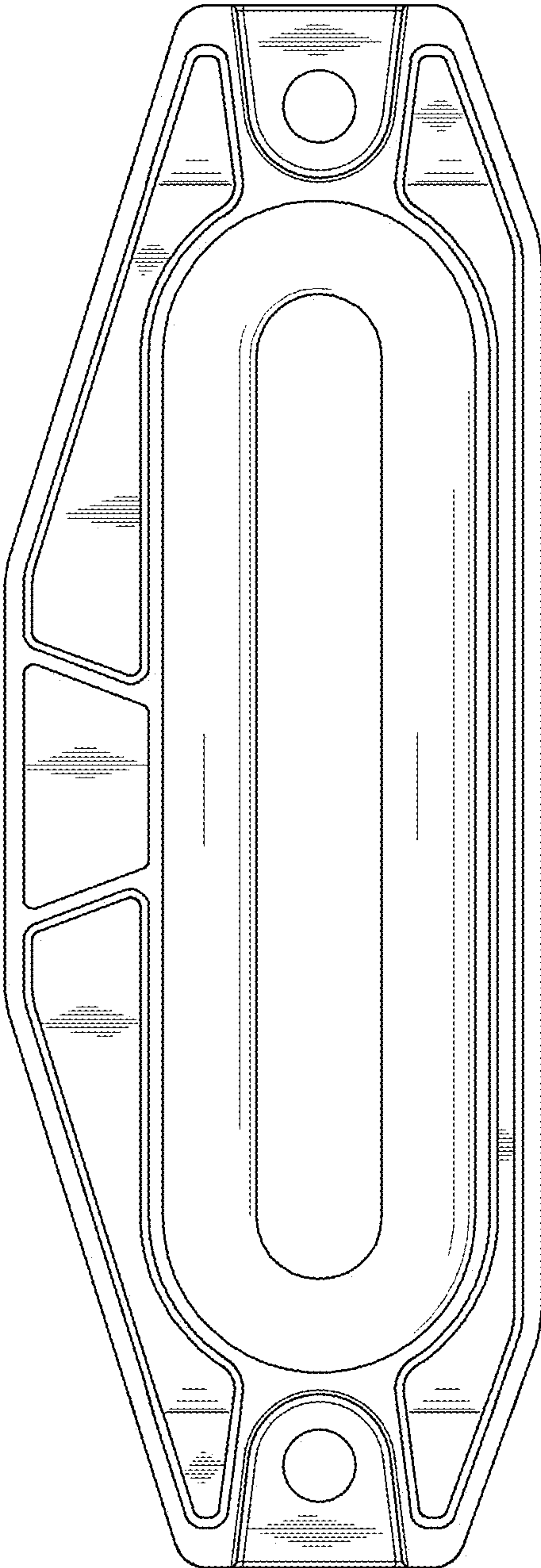


FIG 2

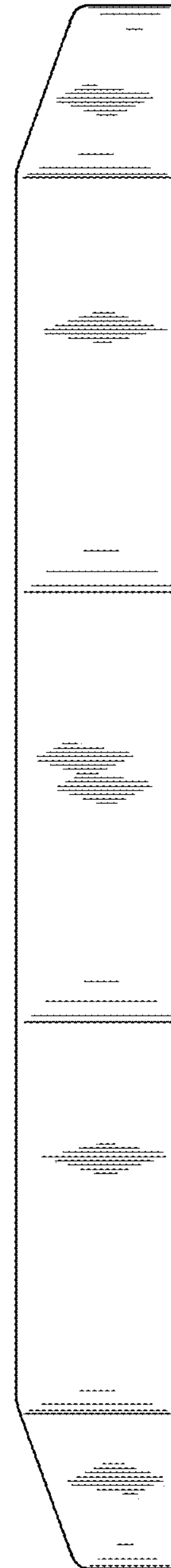


FIG 3

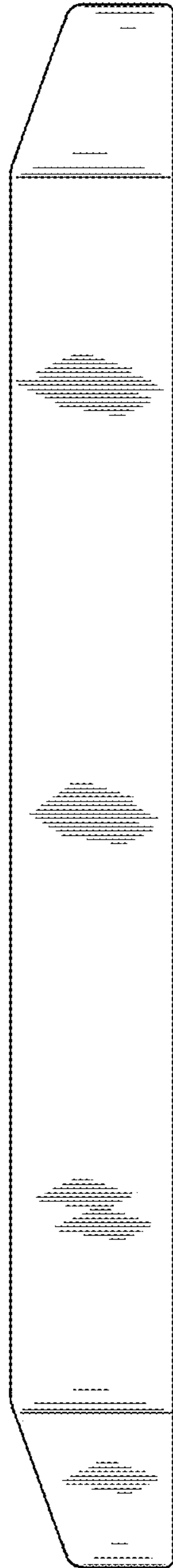


FIG 4

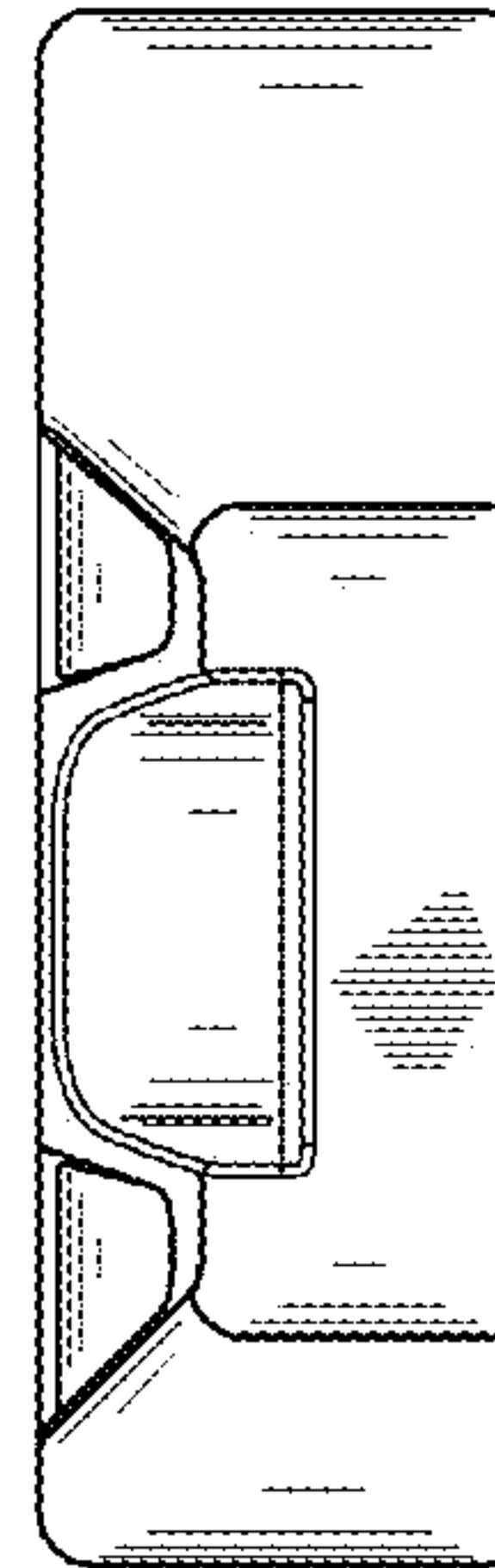


FIG 5