



US00D731290S

(12) **United States Design Patent**
Nardo et al.

(10) **Patent No.:** **US D731,290 S**

(45) **Date of Patent:** **** Jun. 9, 2015**

(54) **CRADLE**

(71) Applicant: **Hanna Instruments, Inc.**, Woonsocket, RI (US)

(72) Inventors: **Martino Nardo**, Cumberland, RI (US);
Piero Franco, Cumberland, RI (US)

(73) Assignee: **HANNA INSTRUMENTS, INC.**,
Woonsocket, RI (US)

(**) Term: **14 Years**

(21) Appl. No.: **29/449,079**

(22) Filed: **Mar. 14, 2013**

(51) **LOC (10) Cl.** **08-08**

(52) **U.S. Cl.**
USPC **D8/349**; D14/253

(58) **Field of Classification Search**
USPC D8/349, 354, 35, 499, 5; D10/60, 81,
D10/94, 103, 121; D14/224, 251, 253, 434,
D14/447, 457; 379/441; 248/309.1, 316.7
CPC H04M 1/00; G01N 27/00; G01N 1/00;
B60R 11/02; F16M 11/22; G01D 11/30;
A61H 2201/0119
See application file for complete search history.

(56) **References Cited**

U.S. PATENT DOCUMENTS

D314,104 S * 1/1991 Johnson D6/467
D592,205 S * 5/2009 O'Brien D14/253

D595,722 S * 7/2009 Miyawaki D14/447
D638,008 S * 5/2011 Richter D14/253
D656,930 S * 4/2012 Son D14/253
D690,690 S * 10/2013 Wikel et al. D14/253
D696,675 S * 12/2013 Delrue et al. D14/447
D713,837 S * 9/2014 Chul Kim D14/253
D717,677 S * 11/2014 Nardo et al. D10/81
D718,760 S * 12/2014 Davis et al. D14/253
2004/0179678 A1 * 9/2004 Hsu Li 379/441
2010/0206999 A1 * 8/2010 Li et al. 248/122.1

* cited by examiner

Primary Examiner — Thomas Johannes

Assistant Examiner — Shawn T Gingrich

(74) *Attorney, Agent, or Firm* — Barlow, Josephs & Holmes,
Ltd.

(57) **CLAIM**

The ornamental design for a cradle, as shown and described.

DESCRIPTION

FIG. 1 is a perspective view of the cradle, showing the new design;

FIG. 2 is a front view thereof;

FIG. 3 is a rear view thereof;

FIG. 4 is a left side view thereof;

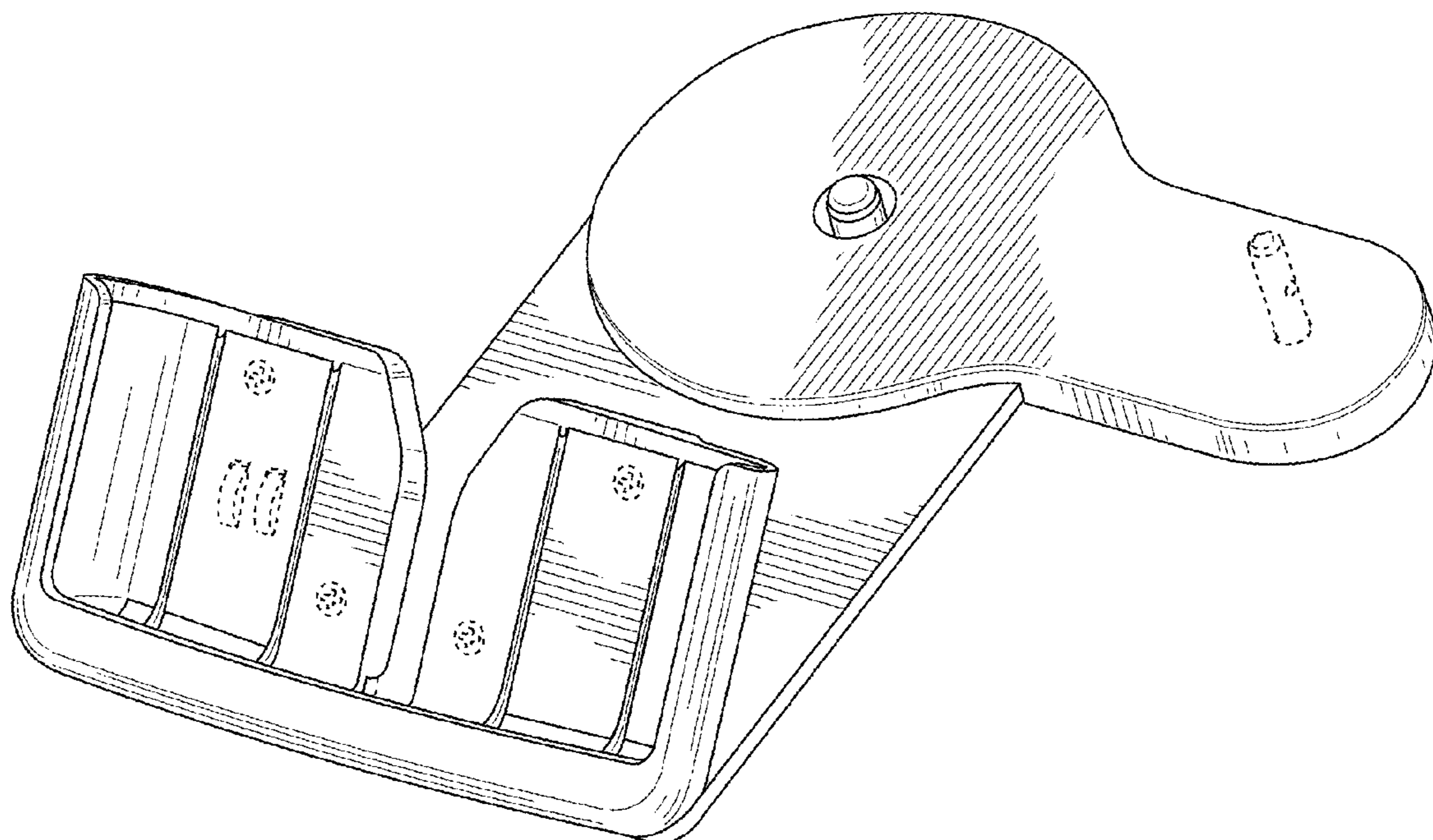
FIG. 5 is a right side view thereof;

FIG. 6 is a top view thereof; and,

FIG. 7 is a bottom view thereof.

The broken line portion of the figure drawings is included to show unclaimed subject matter only and forms no part of the claimed design.

1 Claim, 7 Drawing Sheets



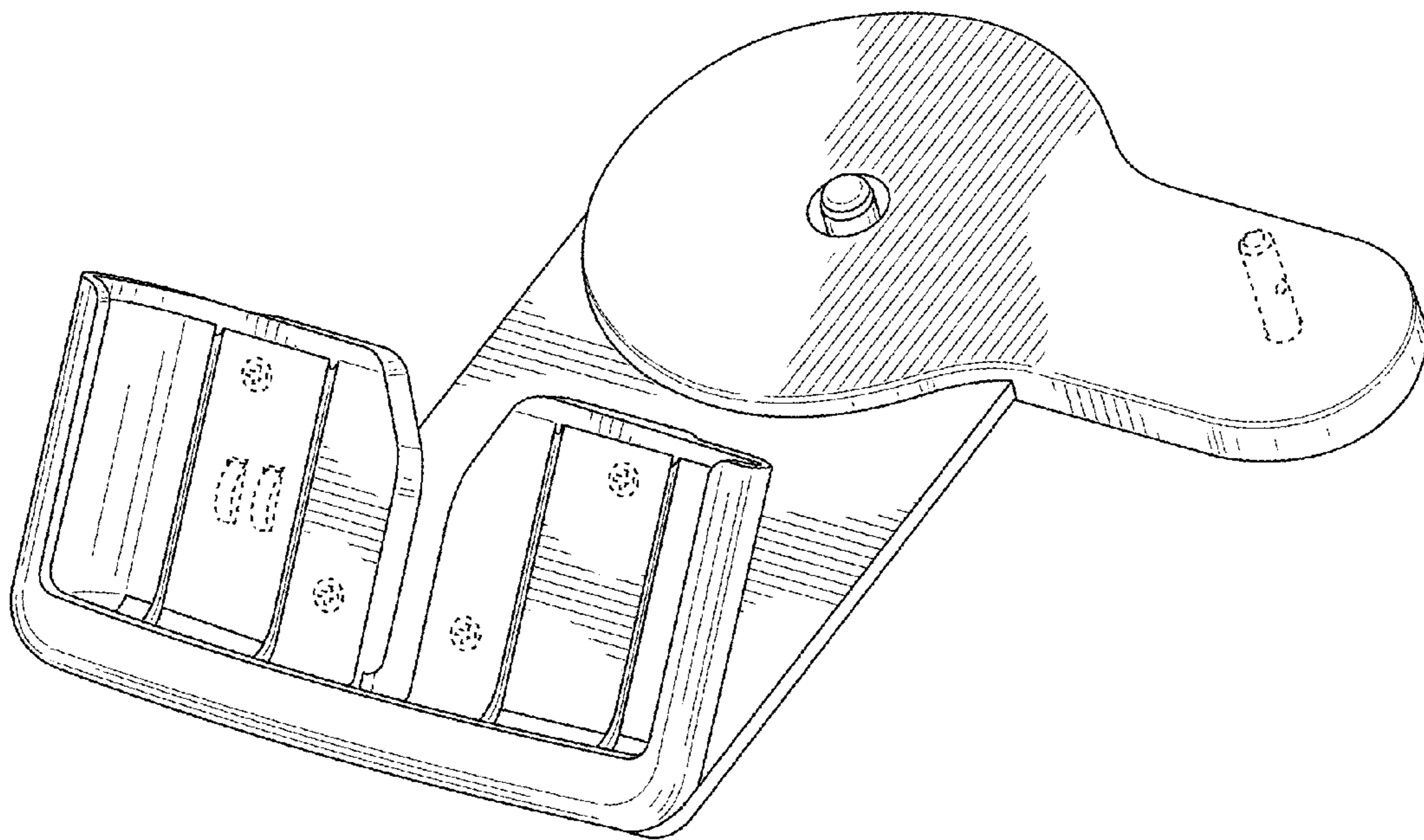


FIG. 1

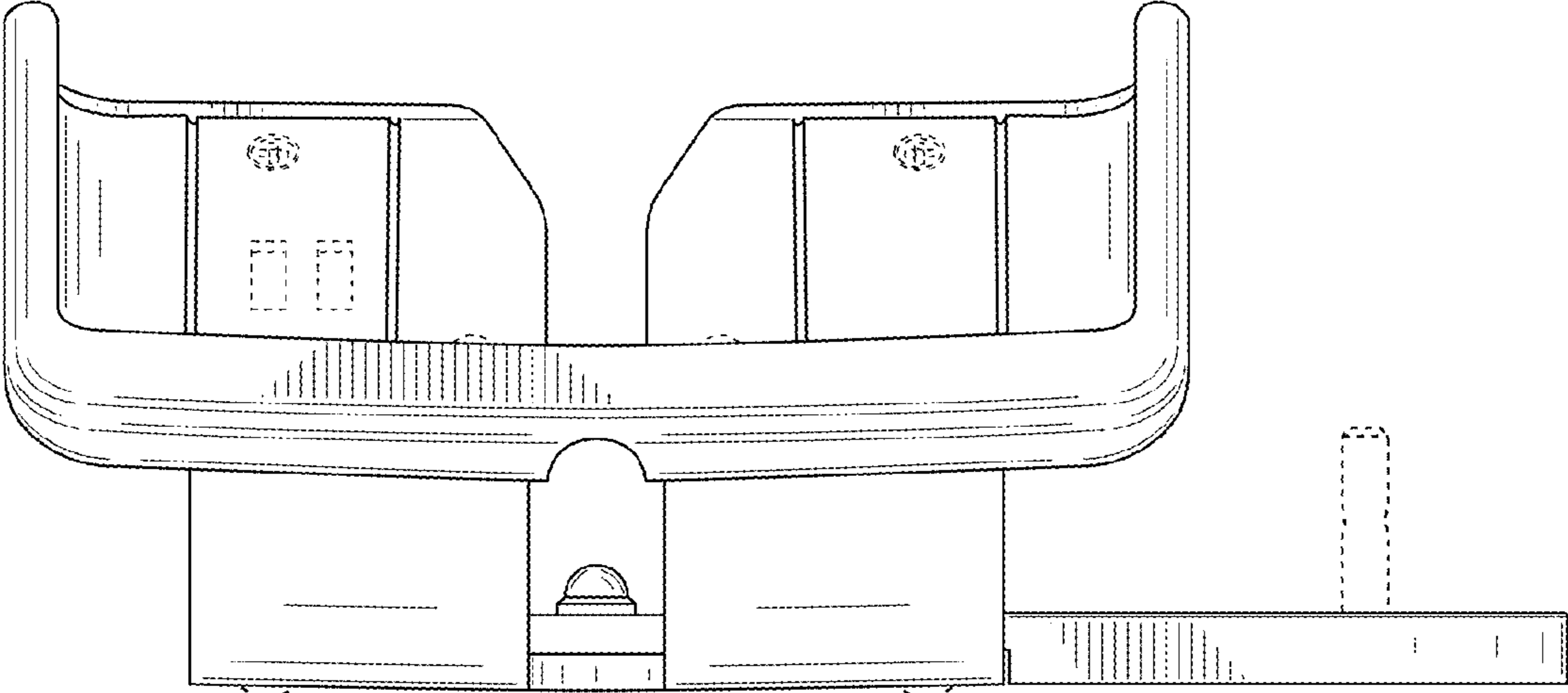


FIG. 2

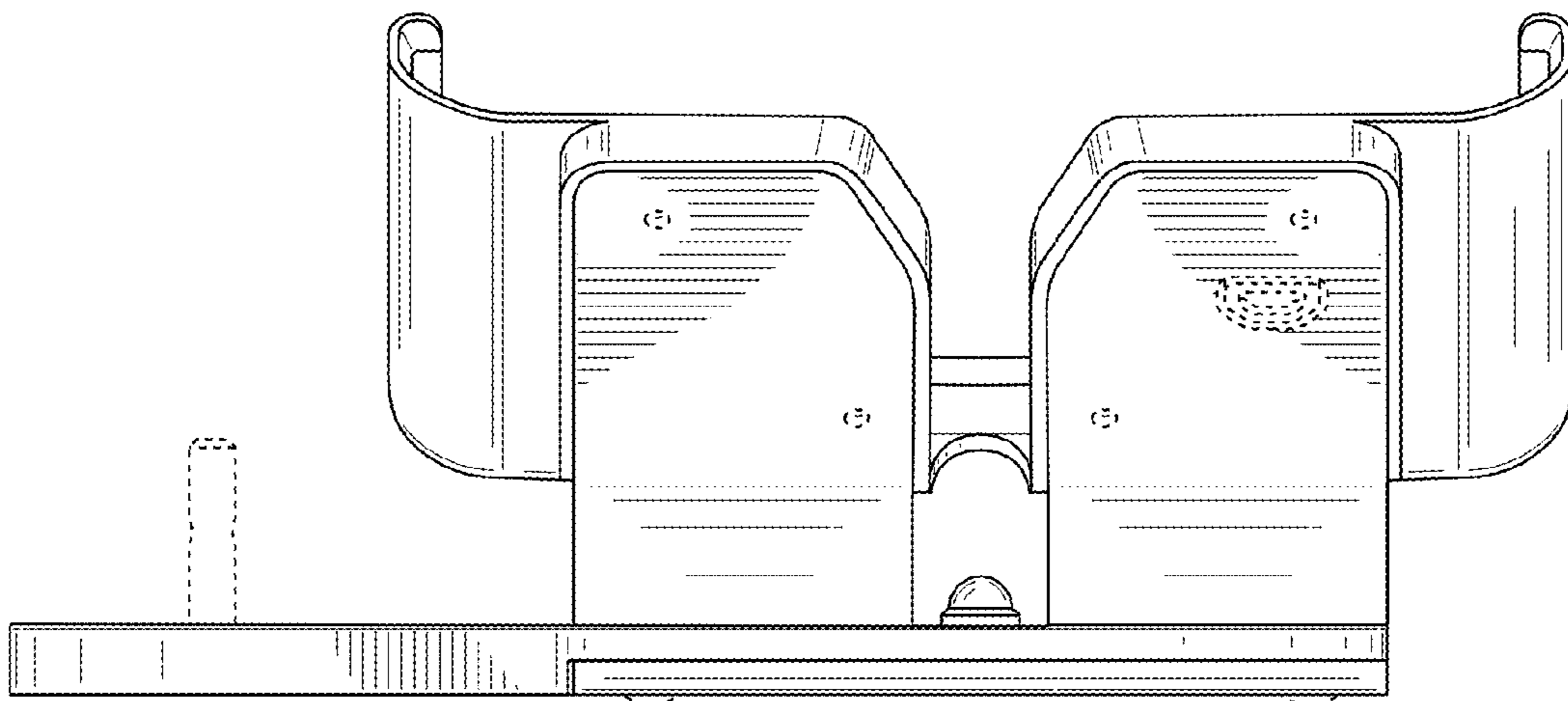


FIG. 3

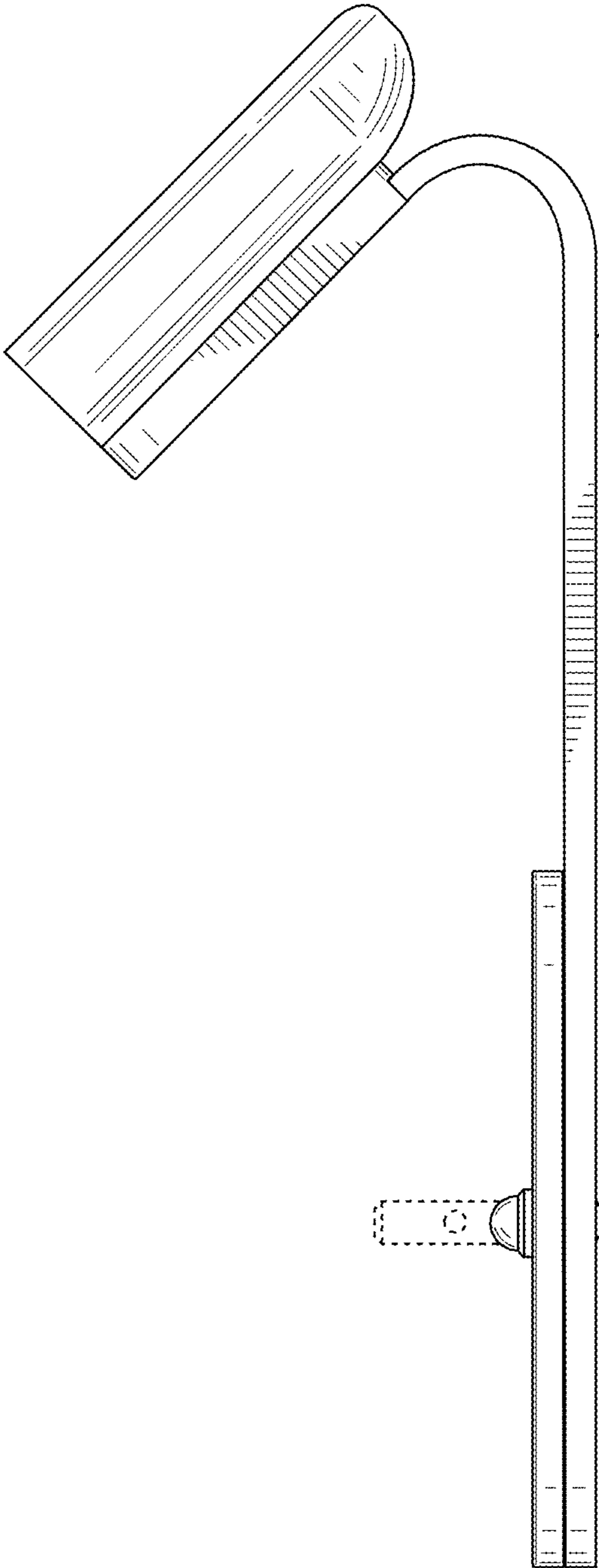


FIG. 4

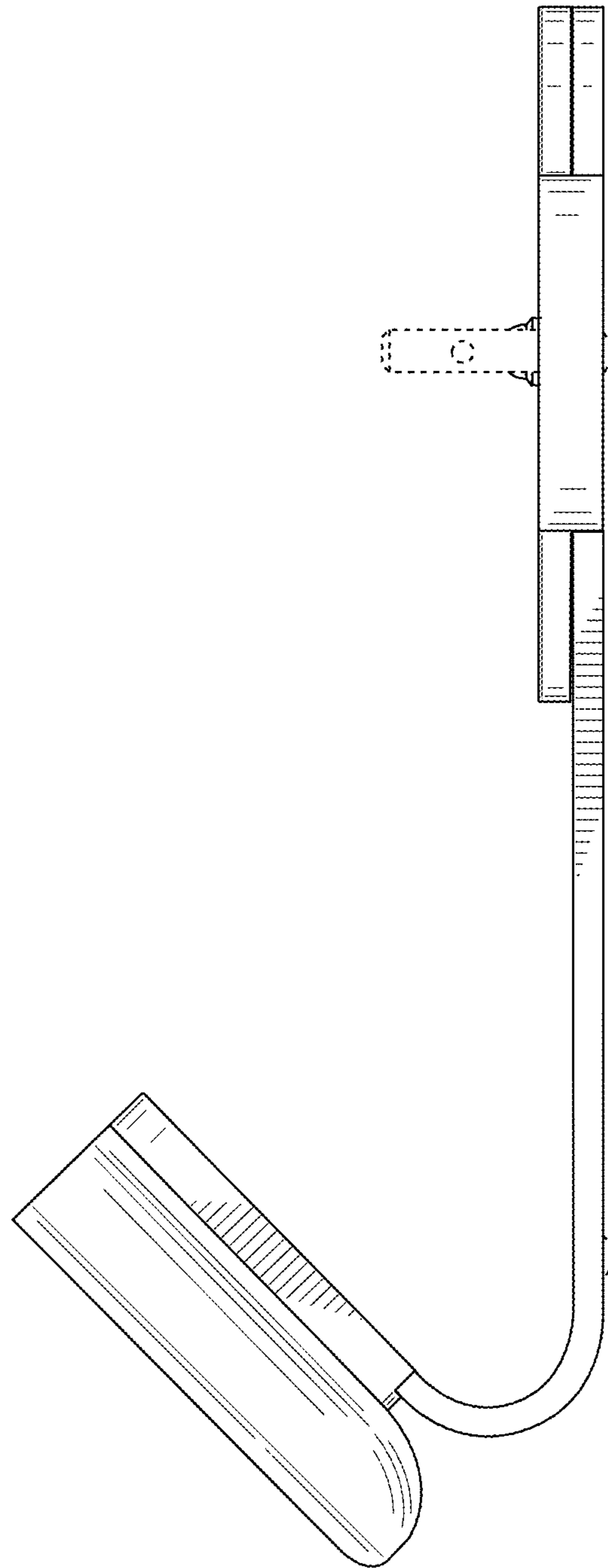


FIG. 5

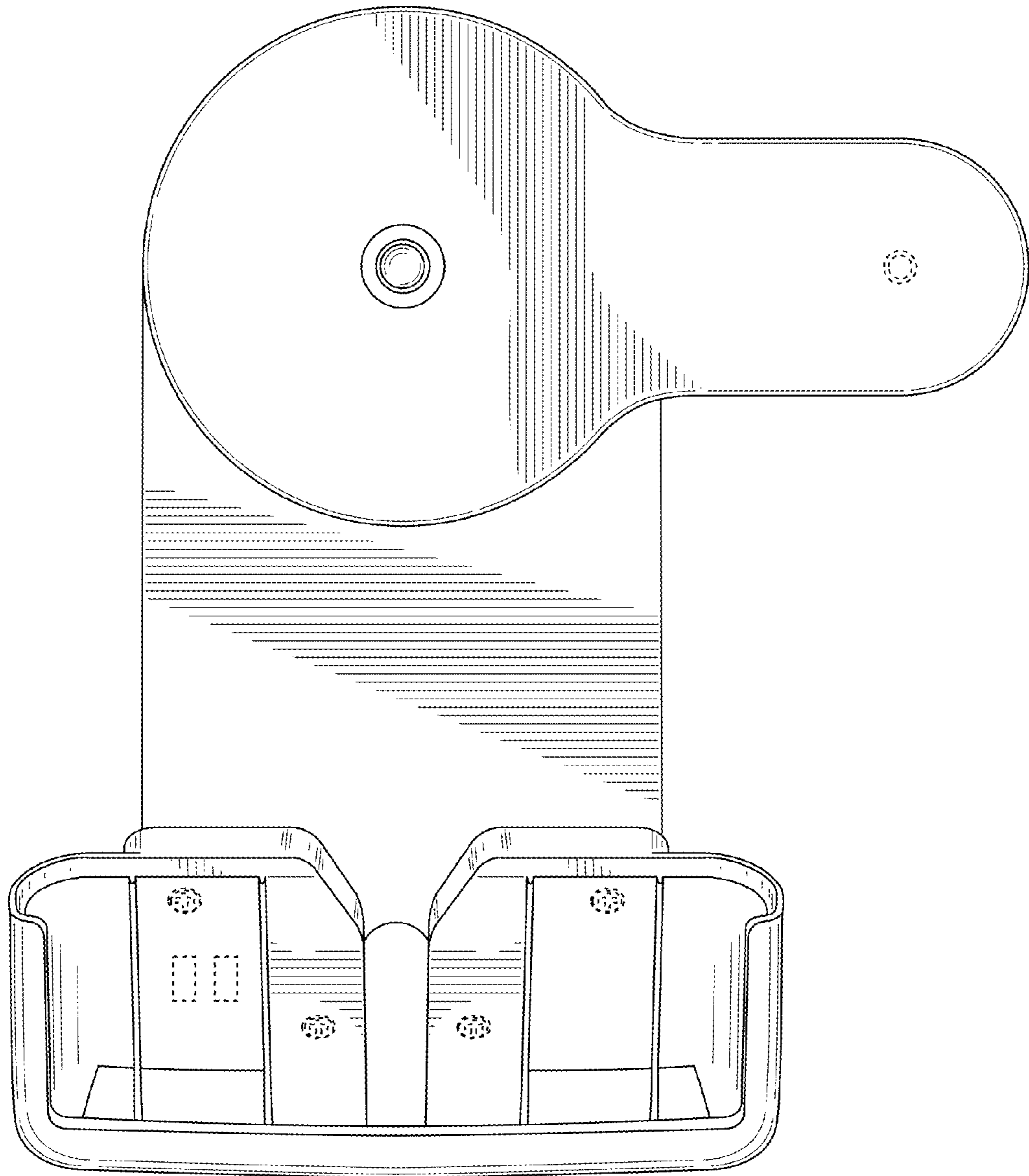


FIG. 6

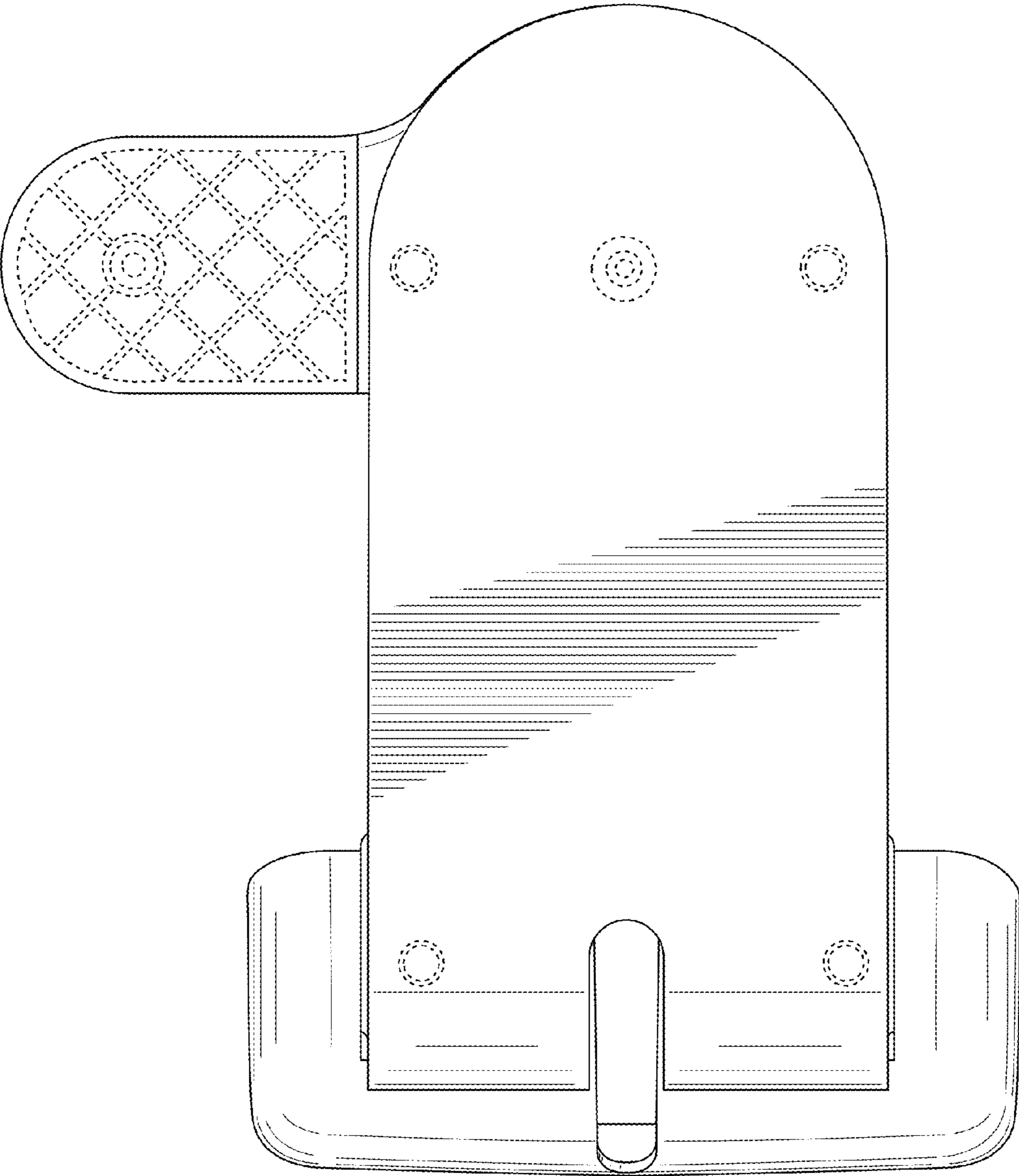


FIG. 7