



US00D731287S

(12) **United States Design Patent**  
**Gokcebay et al.**

(10) **Patent No.:** **US D731,287 S**  
(45) **Date of Patent:** **\*\* Jun. 9, 2015**

(54) **RECESS MOUNT ELECTRONIC CAM LOCK**

(71) Applicant: **Security People, Inc.**, Petaluma, CA  
(US)

(72) Inventors: **Asil T. Gokcebay**, Petaluma, CA (US);  
**Julian Peck**, San Rafael, CA (US); **Kelly Kodama**, Walnut Creek, CA (US)

(73) Assignee: **Security People, Inc.**, Petaluma, CA  
(US)

(\*\*) Term: **14 Years**

(21) Appl. No.: **29/469,260**

(22) Filed: **Oct. 8, 2013**

(51) **LOC (10) Cl.** ..... **08-07**

(52) **U.S. Cl.**  
USPC ..... **D8/331; D8/330**

(58) **Field of Classification Search**  
USPC ..... D8/330, 331, 336, 338, 339, 340, 343;  
70/14, 2, 51, 57, 57.1, 91, 107, 141,  
70/214, 78, 278, 1, 127, 447; 292/2, 32,  
292/137, 288, 289, 290, 292, 194-198, 164,  
292/165, 257  
CPC ..... E05B 49/00; E05B 17/00; E05B 55/00;  
E05B 65/00

See application file for complete search history.

(56) **References Cited**

**U.S. PATENT DOCUMENTS**

3,187,528 A \* 6/1965 Check ..... 70/299  
D263,279 S \* 3/1982 Stolarz ..... D8/338  
5,020,345 A \* 6/1991 Gartner et al. .... 70/277  
5,475,996 A \* 12/1995 Chen ..... 70/279.1

6,058,746 A \* 5/2000 Mirshafiee et al. .... 70/107  
7,221,272 B2 \* 5/2007 Hosselet ..... 340/542  
D580,739 S \* 11/2008 Pelletier et al. .... D8/331  
D686,055 S \* 7/2013 Li ..... D8/338  
D686,056 S \* 7/2013 Li ..... D8/338  
8,490,443 B2 7/2013 Gokcebay  
8,495,898 B2 7/2013 Gokcebay  
8,587,405 B2 \* 11/2013 Denison et al. .... 340/5.73  
8,616,031 B2 \* 12/2013 Ullrich et al. .... 70/279.1  
D698,222 S \* 1/2014 Guo ..... D8/330

\* cited by examiner

*Primary Examiner* — Prabhakar Deshmukh

(74) *Attorney, Agent, or Firm* — Thomas M. Freiburger

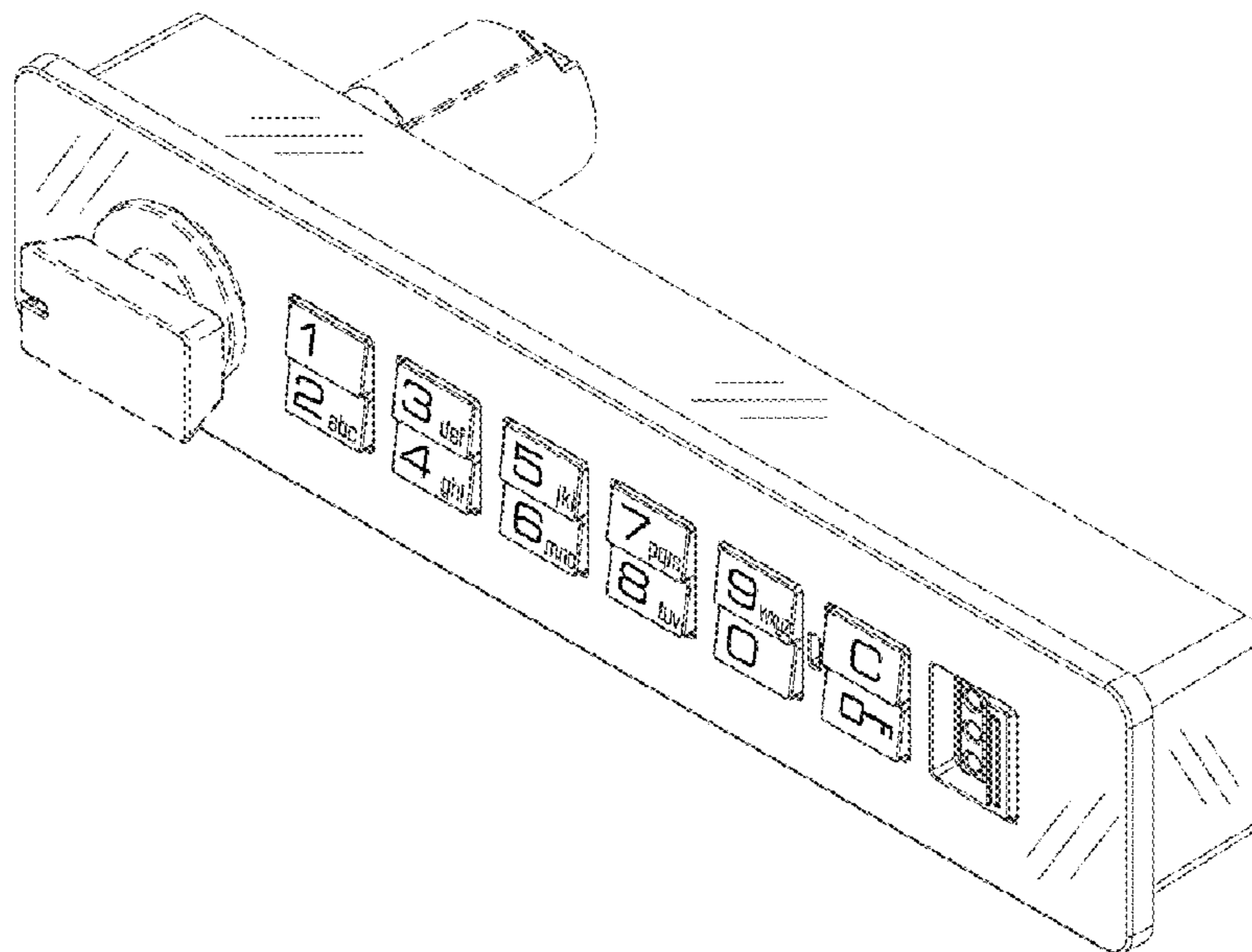
(57) **CLAIM**

The ornamental design for a recess mount electronic cam lock, substantially as shown and described.

**DESCRIPTION**

FIG. 1 is a front right perspective view of recess mount electronic cam lock showing our new design; FIG. 2 is a top plan view thereof; FIG. 3 is a front elevational view thereof; FIG. 4 is a left side elevational view thereof; FIG. 5 is a bottom plan view thereof; FIG. 6 is a right side elevational view thereof; FIG. 7 is a front right perspective view of a second embodiment of a recess mount electronic cam lock; FIG. 8 is a top plan view thereof; FIG. 9 is a front elevational view thereof; FIG. 10 is a left side elevational view thereof; FIG. 11 is a bottom plan view thereof; and, FIG. 12 is a right side elevational view thereof. The broken lines environment is for illustrative purpose only and forms no part of the claimed design.

**1 Claim, 2 Drawing Sheets**



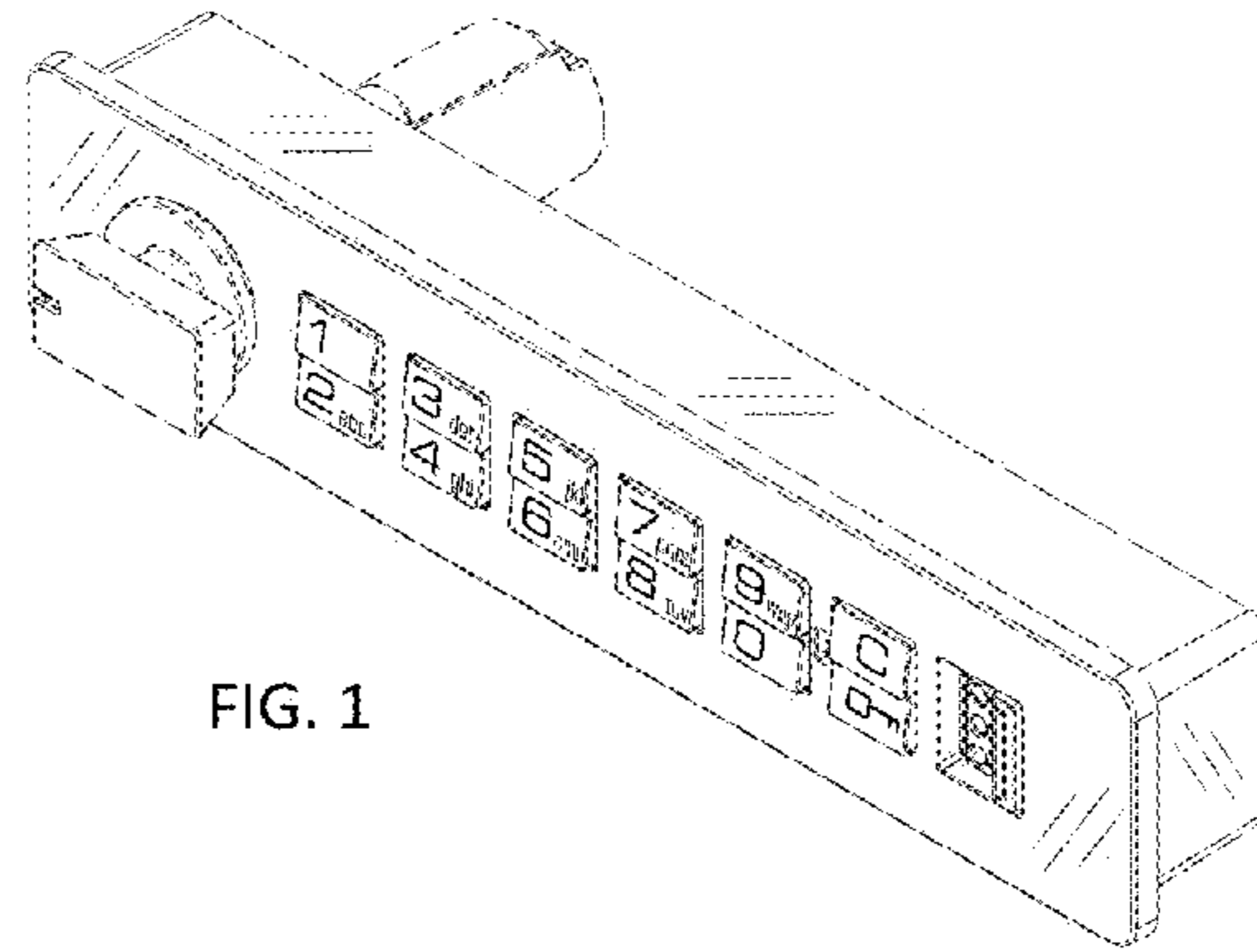


FIG. 1

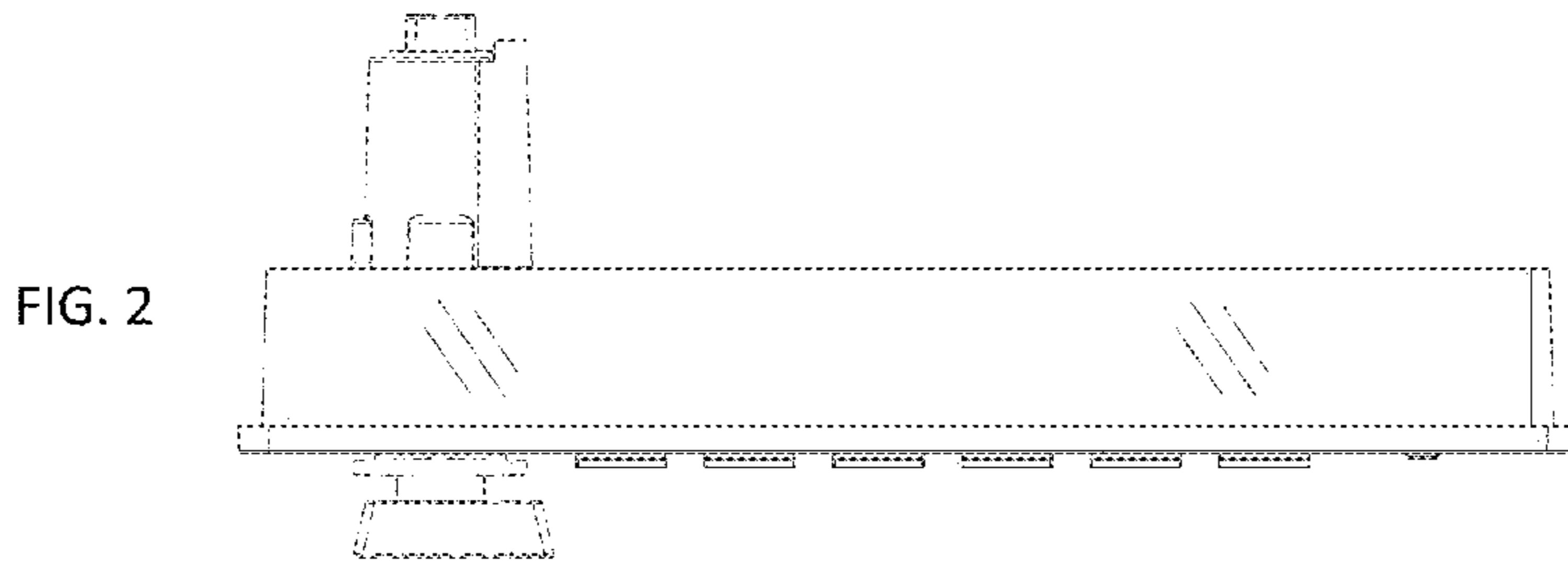


FIG. 2

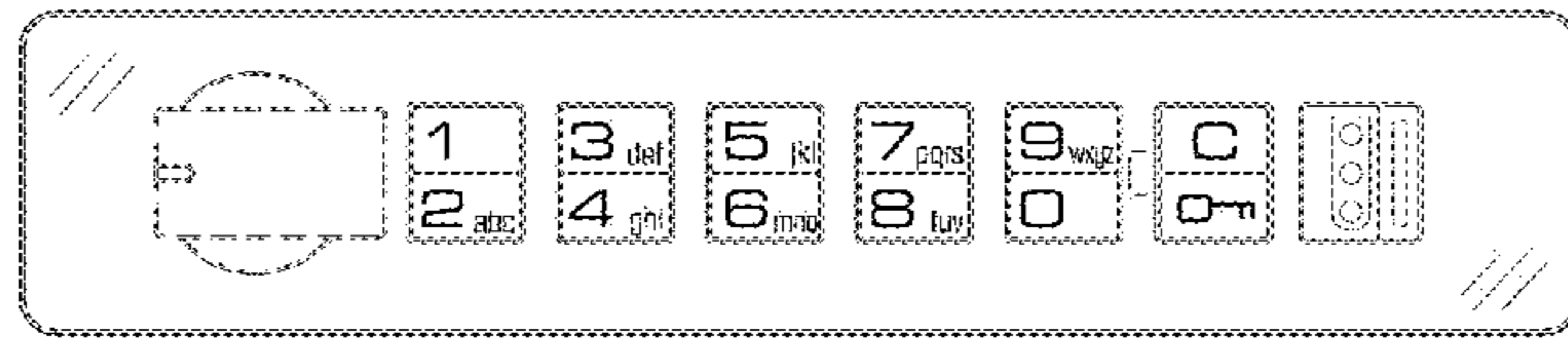


FIG. 3

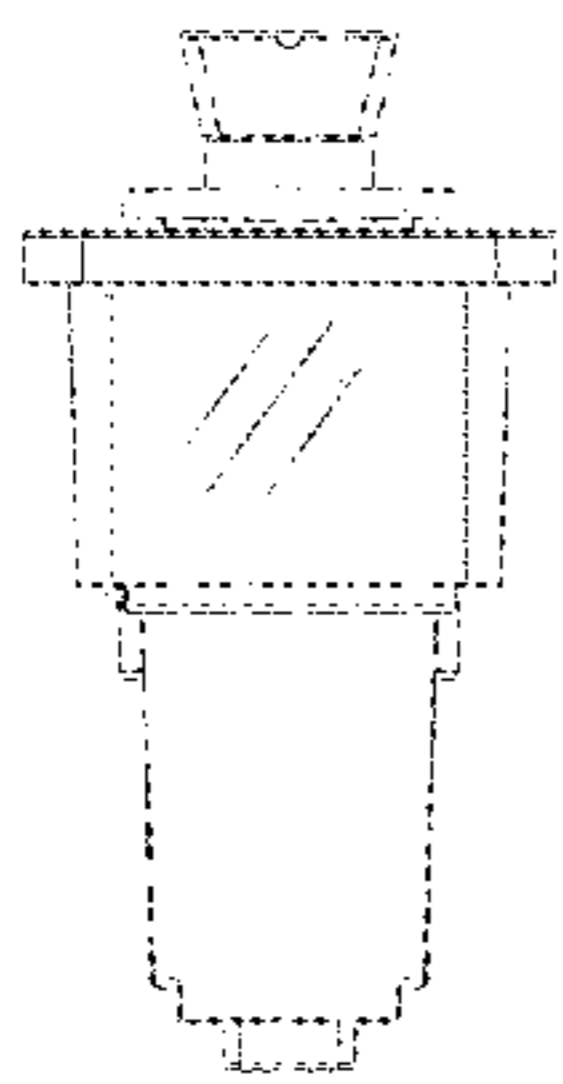


FIG. 4

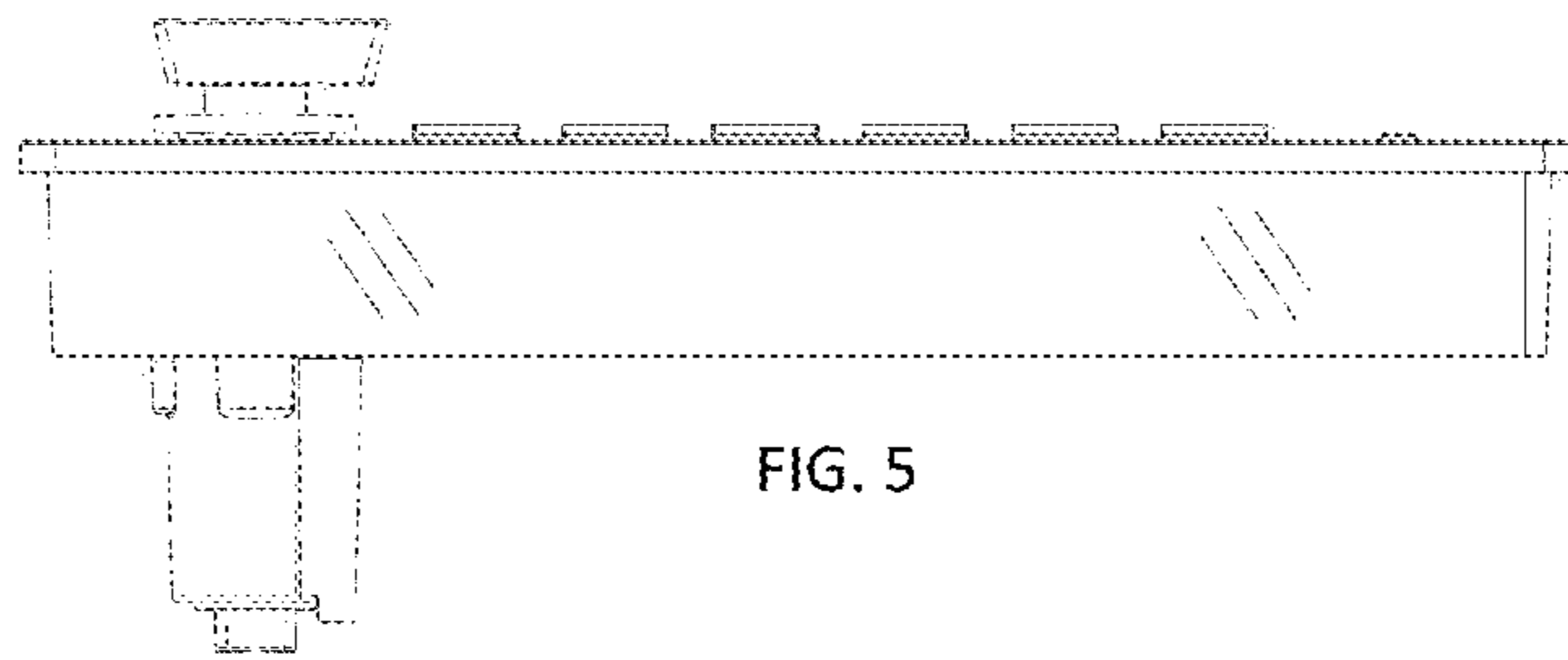


FIG. 5

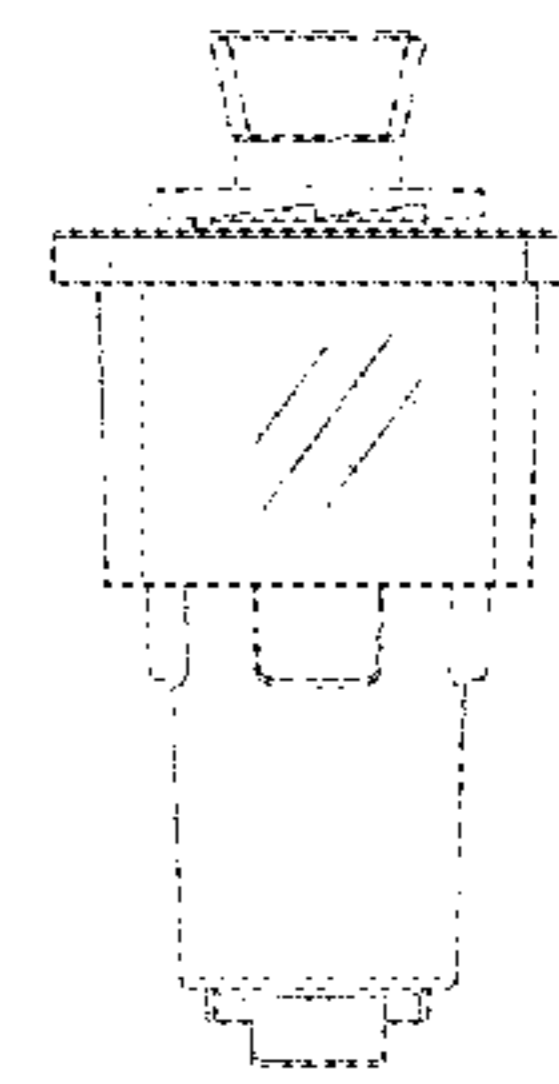


FIG. 6

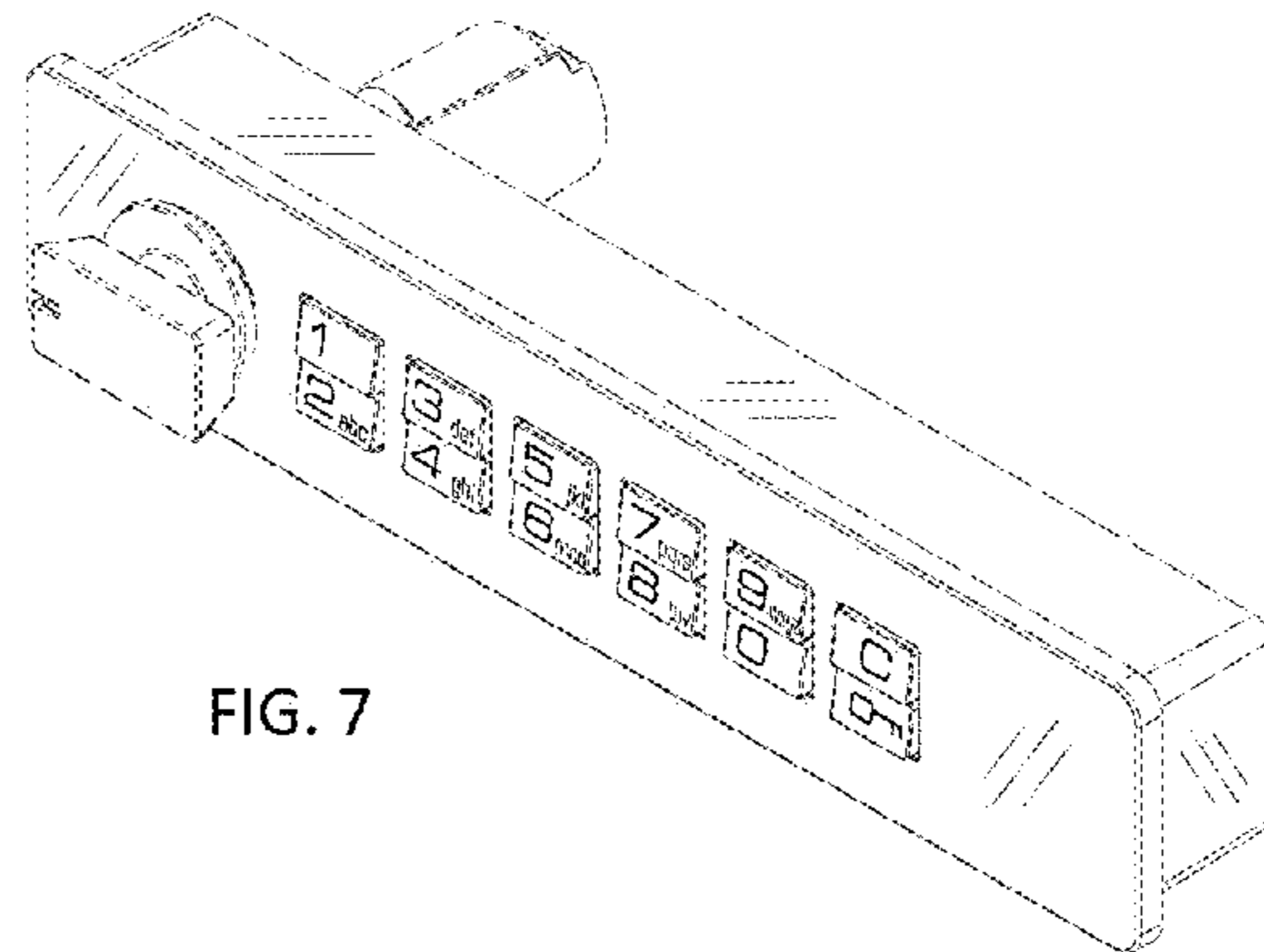


FIG. 7

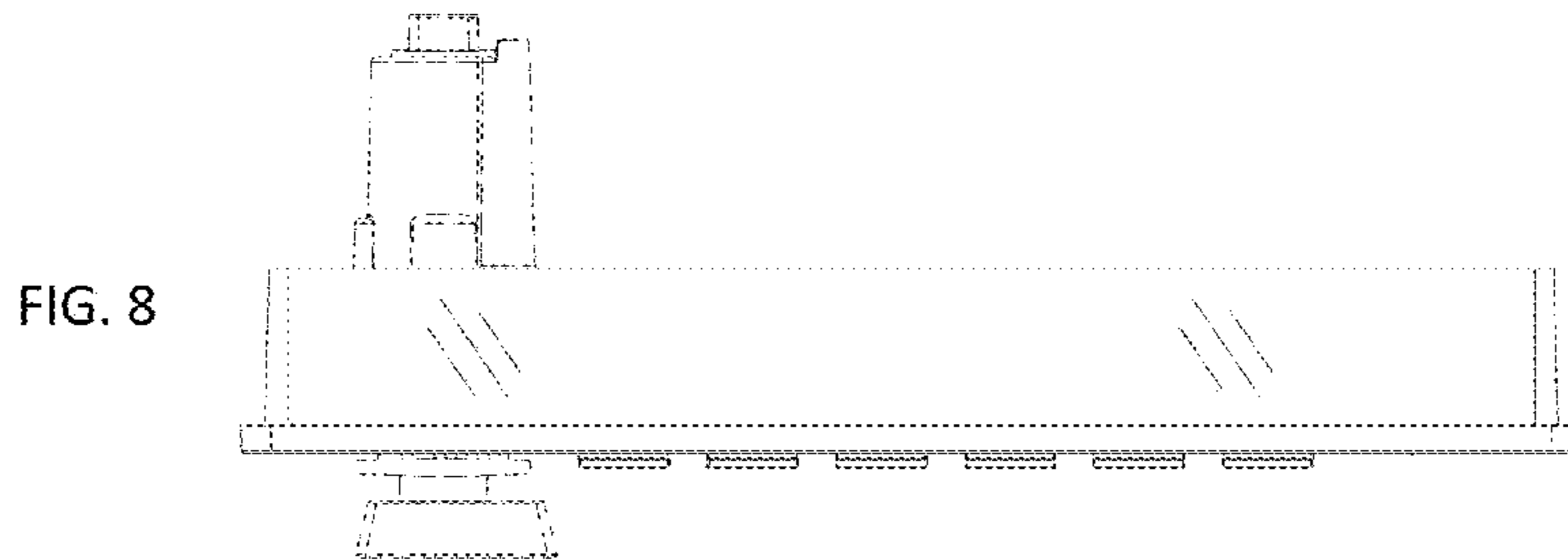


FIG. 8

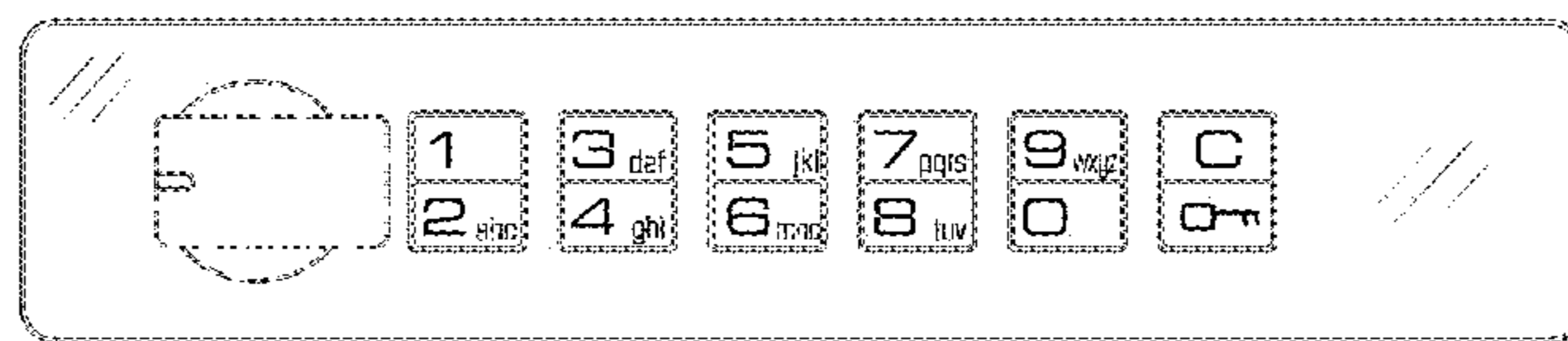


FIG. 9

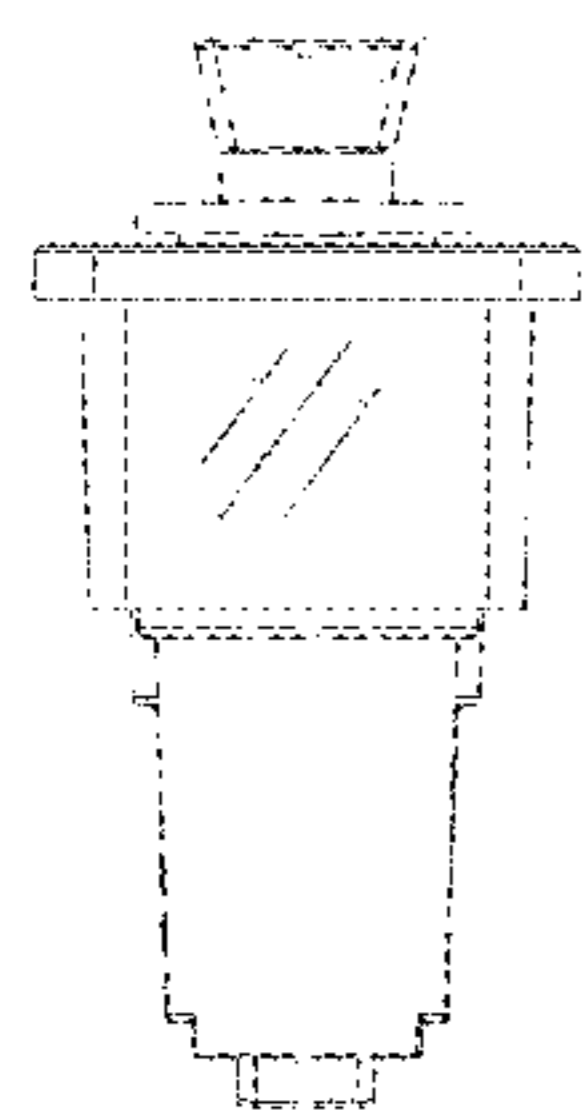


FIG. 10

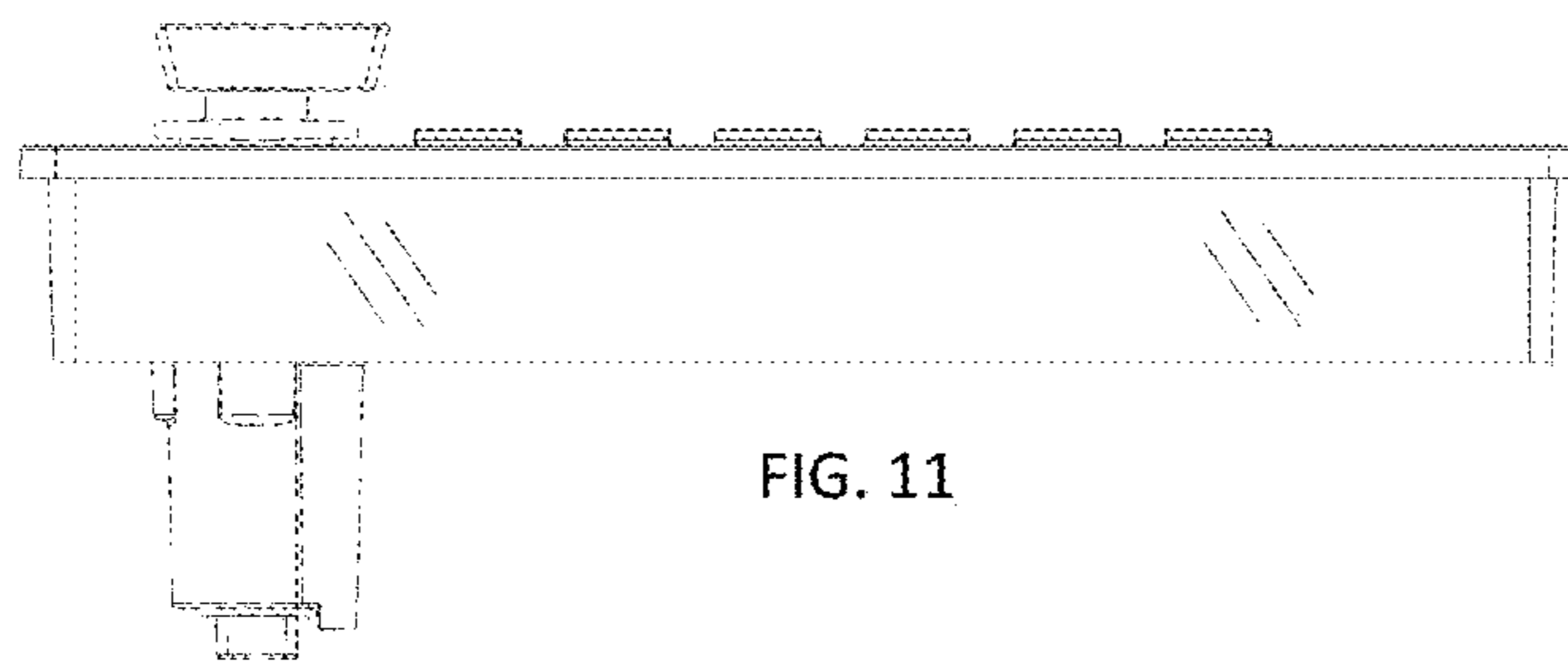


FIG. 11

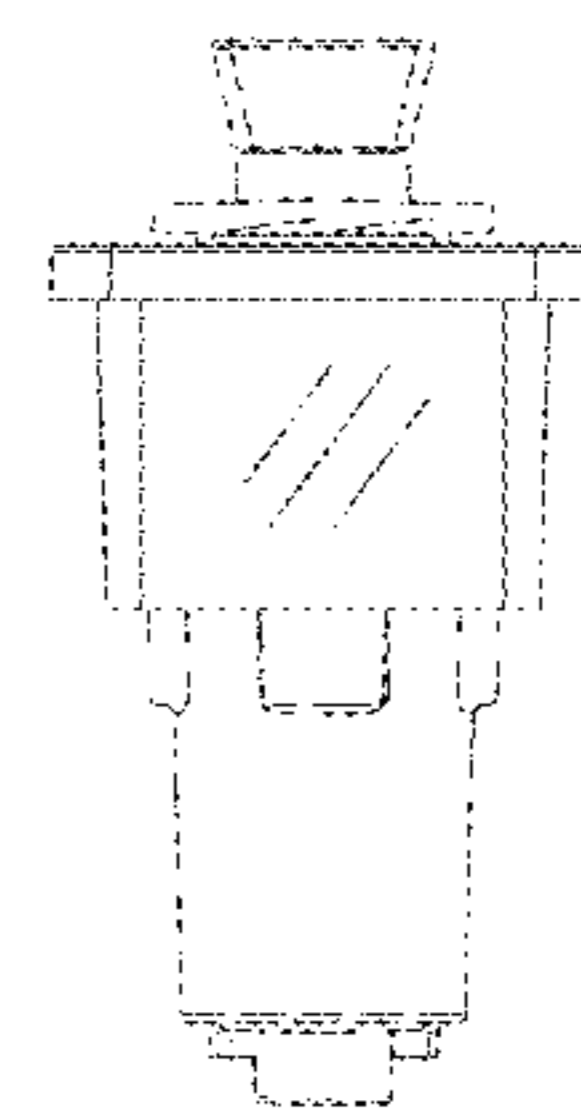


FIG. 12