



US00D731279S

(12) **United States Design Patent**
McDonough et al.

(10) **Patent No.:** **US D731,279 S**
(45) **Date of Patent:** **** Jun. 9, 2015**

(54) **MULTI-PURPOSE TOOL**

(71) Applicant: **ZIPPO MANUFACTURING COMPANY**, Bradford, PA (US)

(72) Inventors: **James M. McDonough**, Bradford, PA (US); **Howard Tripp**, Plymouth, MN (US); **Neal Barnes**, Medina, MN (US); **Brian J. Barber**, Cyclone, PA (US)

(73) Assignee: **ZIPPO MANUFACTURING COMPANY**, Bradford, PA (US)

(**) Term: **14 Years**

(21) Appl. No.: **29/495,356**

(22) Filed: **Jun. 30, 2014**

Related U.S. Application Data

(62) Division of application No. 29/422,433, filed on May 21, 2012, now Pat. No. Des. 724,925.

(51) **LOC (10) Cl.** **08-03**

(52) **U.S. Cl.**

USPC **D8/96**; D8/105

(58) **Field of Classification Search**

USPC D8/95-97, 105; 7/143-149

CPC A01B 1/022; B23D 27/02; B23D 51/02;

B23D 51/03; B23D 71/00; B25D 1/00;

B25F 1/00; B25F 1/02; B27B 21/00

See application file for complete search history.

(56) **References Cited**

U.S. PATENT DOCUMENTS

1,197,430 A 9/1916 Barnes et al.
D151,725 S 11/1948 Gunn
2,576,869 A * 11/1951 Woltemath 30/166.3

2,642,906 A 6/1953 Faubion
3,038,177 A 6/1962 Machtle
3,392,606 A 7/1968 Wilson
5,067,190 A 11/1991 Gagnon
5,315,724 A * 5/1994 Trujillo et al. 7/145
D356,020 S 3/1995 Costa
5,590,473 A 1/1997 Wang
D455,628 S 4/2002 Douglas
6,606,795 B2 8/2003 Erisoty et al.
D479,113 S 9/2003 Douglas
6,820,340 B1 11/2004 Martin et al.

(Continued)

OTHER PUBLICATIONS

Zippo's Hatchet-Saw-Mallet. 4 pages snagged Mar. 13, 2014 at <http://www.survivaltop50.com/bushgear/>.*

Primary Examiner — Philip S Hyder

Assistant Examiner — Roselynn Cody

(74) *Attorney, Agent, or Firm* — Squire Patton Boggs (US) LLP

(57) **CLAIM**

The ornamental design for a multi-purpose tool, as shown and described.

DESCRIPTION

FIG. 1 is a perspective view of a multi-purpose tool, showing our new design;

FIG. 2 is a side view of the multi-purpose tool;

FIG. 3 is an alternate side view of the multi-purpose tool;

FIG. 4 is a front view of the multi-purpose tool;

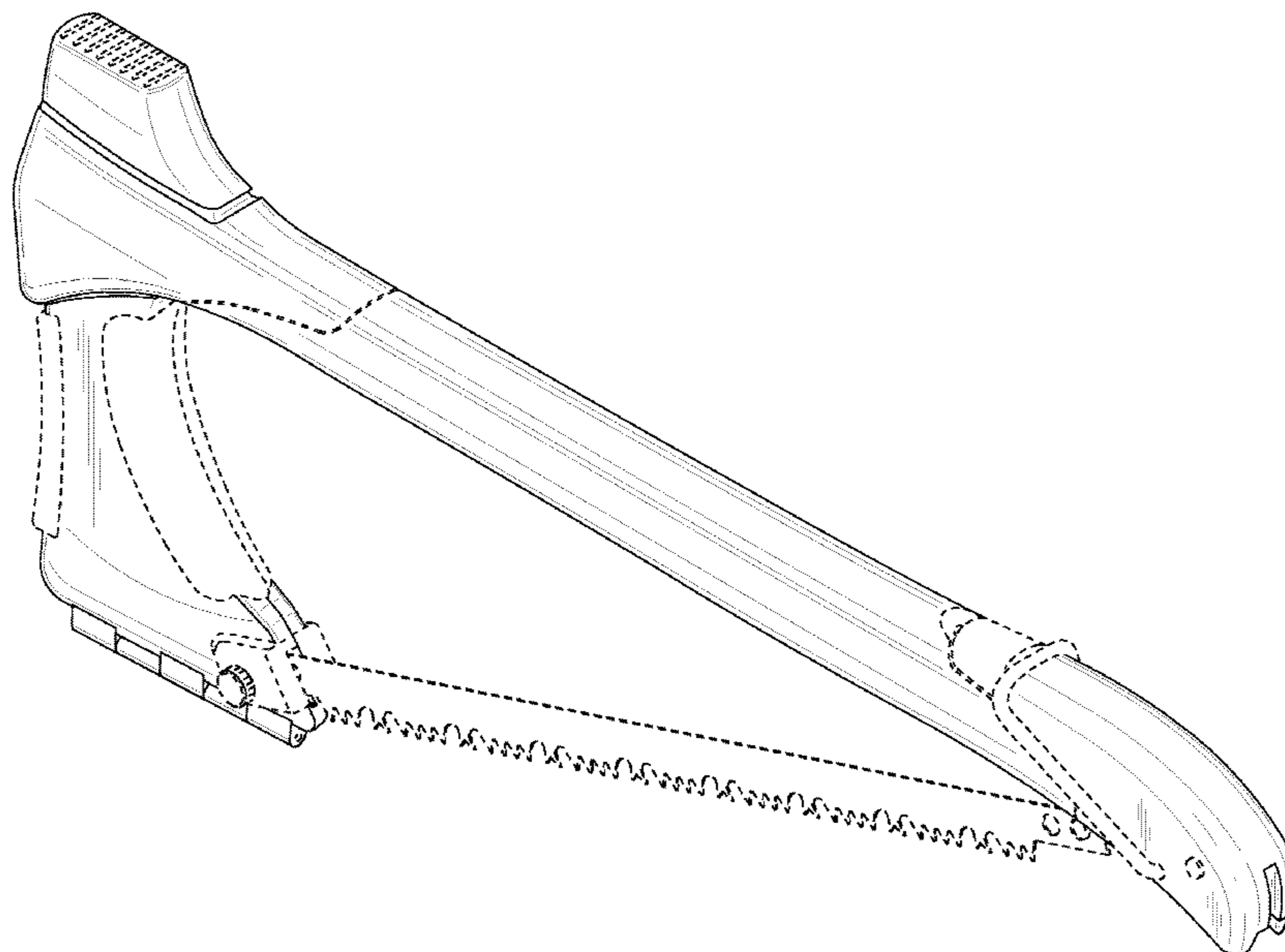
FIG. 5 is a rear view of the multi-purpose tool;

FIG. 6 is a top view of the multi-purpose tool; and,

FIG. 7 is a bottom view of the multi-purpose tool.

The broken lines in the drawings illustrate features of the multi-purpose tool that form no part of the claim.

1 Claim, 5 Drawing Sheets



(56)

References Cited

U.S. PATENT DOCUMENTS

D519,350 S 4/2006 Critelli et al.
D562,101 S 2/2008 Martone et al.
D567,620 S 4/2008 Martone et al.
D595,555 S 7/2009 Vanderbeek

7,617,608 B2 11/2009 Zakarian
8,024,994 B2 9/2011 St. John et al.
8,117,702 B2 2/2012 Woolley et al.
2004/0261188 A1* 12/2004 Mathis 7/145
2013/0283540 A1 10/2013 McDonough et al.

* cited by examiner

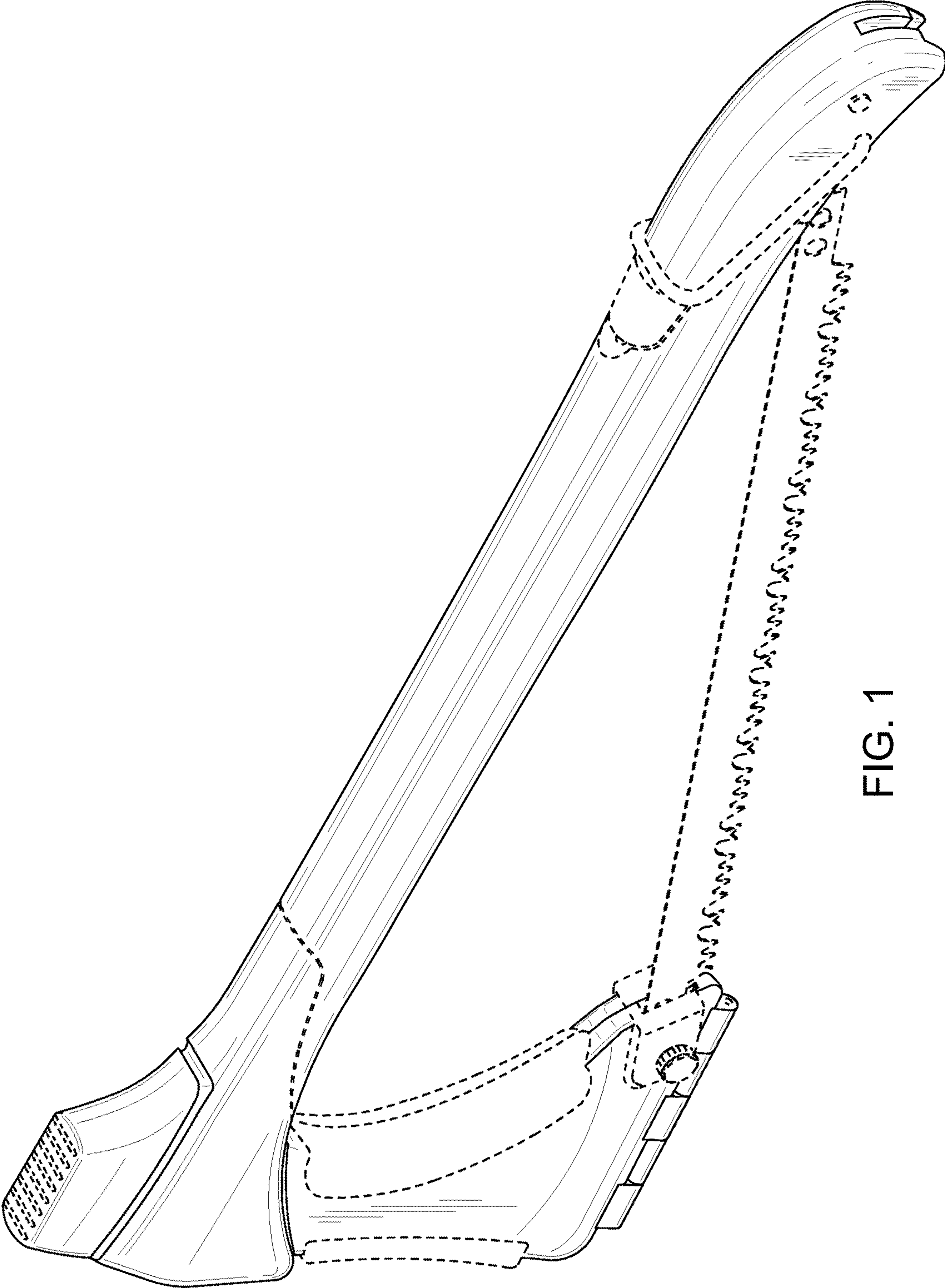


FIG. 1

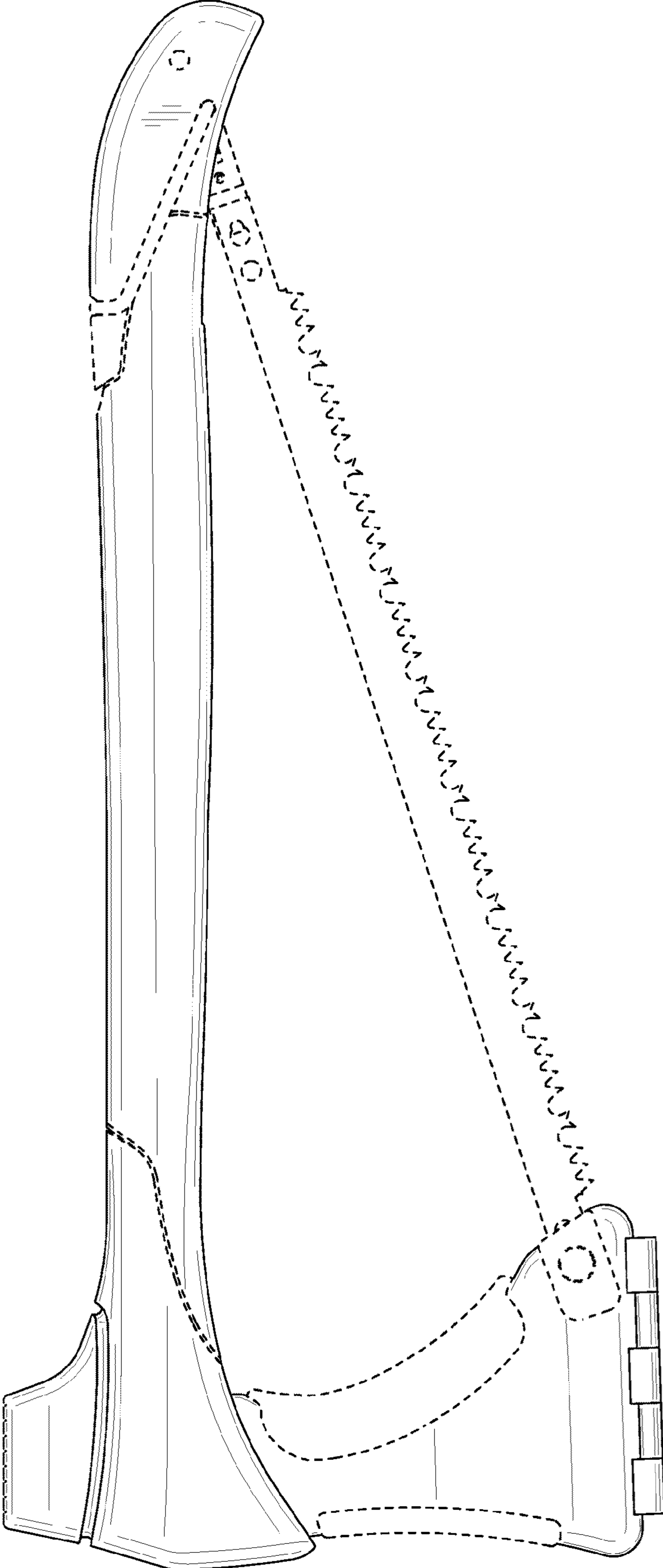


FIG. 2

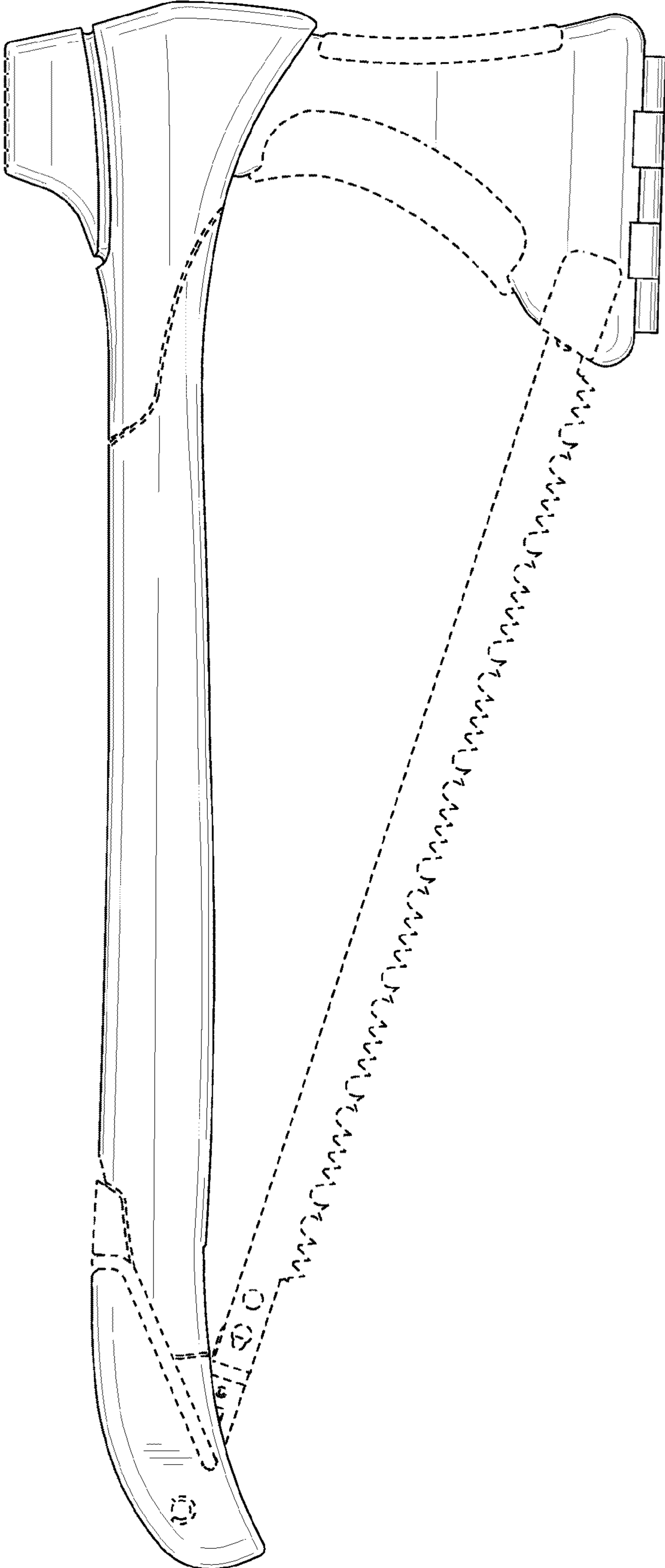


FIG. 3

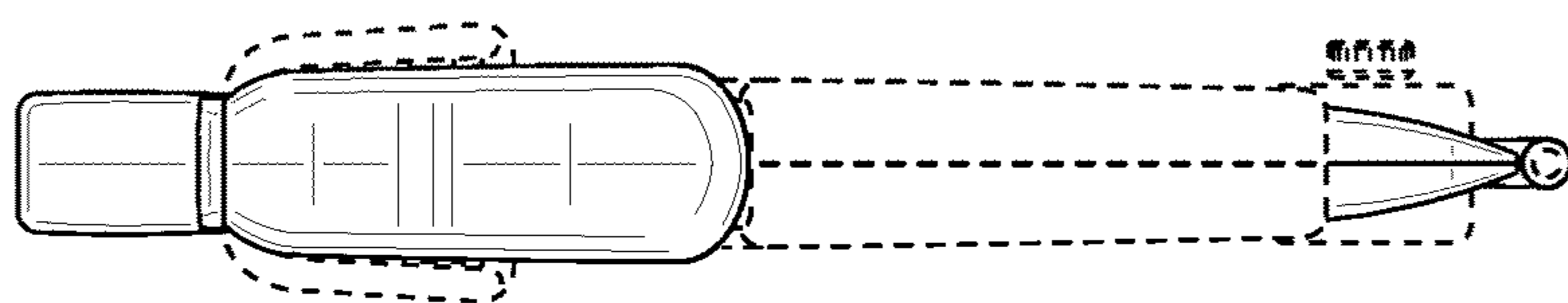


FIG. 5

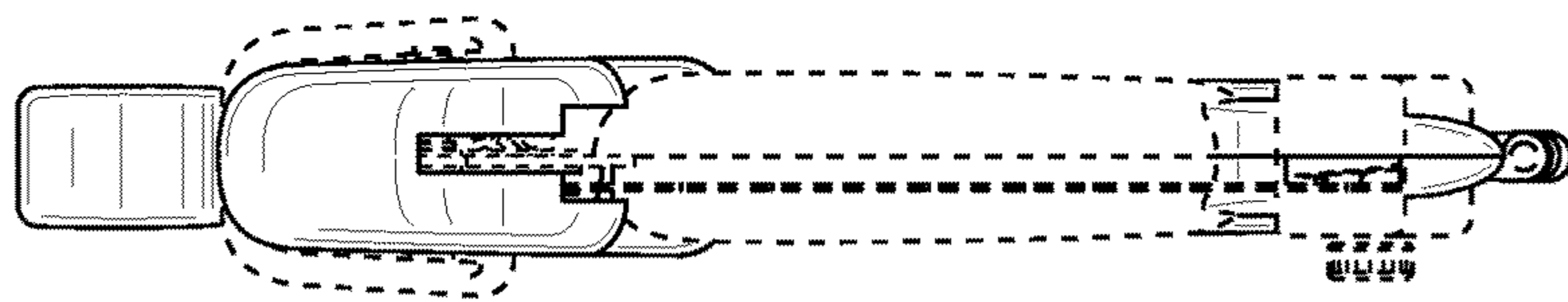


FIG. 4

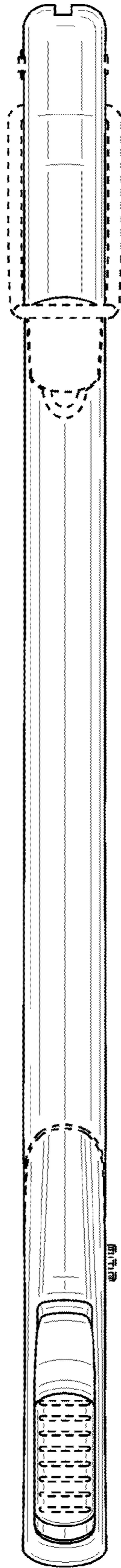


FIG. 6

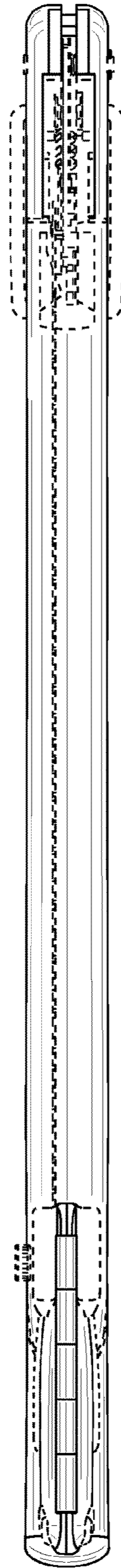


FIG. 7