



US00D731277S

(12) **United States Design Patent**
Manwaring et al.

(10) **Patent No.:** **US D731,277 S**
(45) **Date of Patent:** **** Jun. 9, 2015**

(54) **BARREL FOR PIPE END REFACING TOOL**

(71) Applicant: **Magna-Sonic Stress Testers, Inc.**,
Vernal, UT (US)

(72) Inventors: **Kevin Manwaring**, Vernal, UT (US);
Kenneth John Ballash, Eagle Mountain,
UT (US)

(**) Term: **14 Years**

(21) Appl. No.: **29/464,447**

(22) Filed: **Aug. 16, 2013**

(51) **LOC (10) Cl.** **08-03**

(52) **U.S. Cl.**
USPC **D8/70**

(58) **Field of Classification Search**
USPC D8/70, 71, 383; D11/1, 8, 30, 81;
D15/7, 21; 82/1.11, 130, 131, 132,
82/139; 24/112, 115 G, 115 M, 115 R,
24/136 R
CPC .. B23B 5/162; B23B 5/163; B23B 2260/078;
B23B 2215/72; B24B 7/16
See application file for complete search history.

D300,911 S * 5/1989 Allen D11/144
4,854,200 A 8/1989 Mynhier
4,954,023 A 9/1990 Bromley
5,062,187 A 11/1991 Bromley
5,433,130 A * 7/1995 Smith et al. 82/113
D581,238 S * 11/2008 Patti D8/71
7,784,551 B2 8/2010 Angman
D626,395 S * 11/2010 Lau et al. D8/70
D642,899 S * 8/2011 Stevens D8/383
D645,883 S * 9/2011 Azevedo et al. D15/5
D664,566 S * 7/2012 Drenth D15/21
D664,567 S * 7/2012 Drenth D15/21
D701,243 S * 3/2014 Cornett et al. D15/7
8,784,161 B1 7/2014 Burleson
2012/0132044 A1 * 5/2012 Manwaring 82/1.11
2012/0180352 A1 * 7/2012 Addis 42/1.06

* cited by examiner

Primary Examiner — Philip S Hyder
Assistant Examiner — Darlington Ly

(57) **CLAIM**
The ornamental design for a barrel for pipe end refacing tool,
as shown and described.

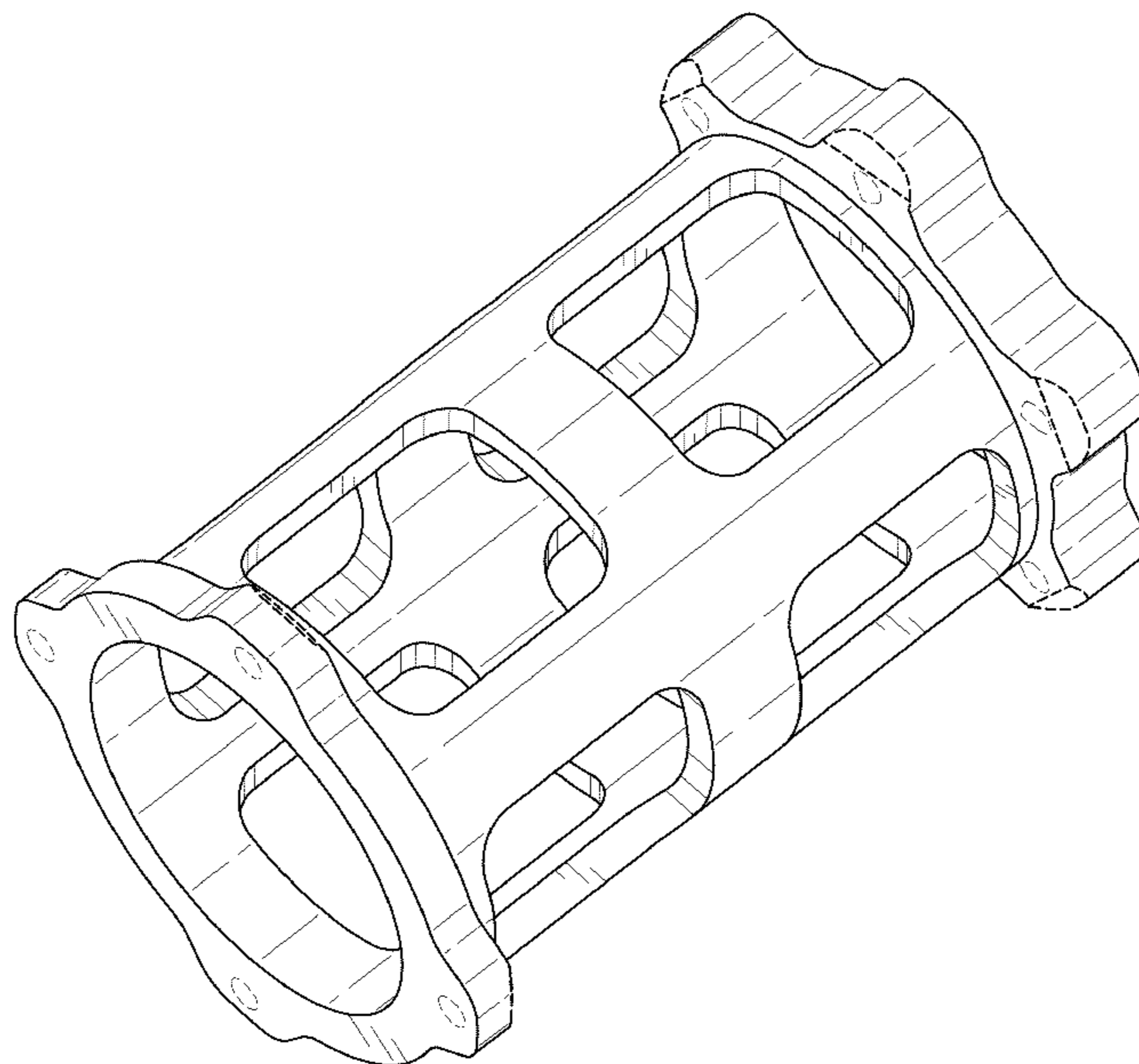
DESCRIPTION

FIG. 1 is a perspective view of a barrel for pipe end refacing tool according to the present invention;
FIG. 2 is a right elevational view thereof, the left side being a mirror image;
FIG. 3 is a top plan view thereof, the bottom being a mirror image;
FIG. 4 is a front elevational view thereof; and,
FIG. 5 is a back elevational view thereof.
The broken lines shown in the drawings illustrate portions of the barrel for pipe end refacing tool that form no part of the claimed design.

1 Claim, 3 Drawing Sheets

(56) **References Cited**
U.S. PATENT DOCUMENTS

2,159,287 A	5/1939	Morgan	
2,211,183 A	8/1940	Tytus	
3,563,134 A *	2/1971	Rodstein	91/349
3,608,406 A	9/1971	Paysinger	
3,691,882 A	9/1972	Massey	
3,717,055 A	2/1973	Pendleton	
4,452,110 A *	6/1984	Emmerson	82/113
4,665,780 A	5/1987	Plaquin	
4,761,104 A	8/1988	Hillestad	



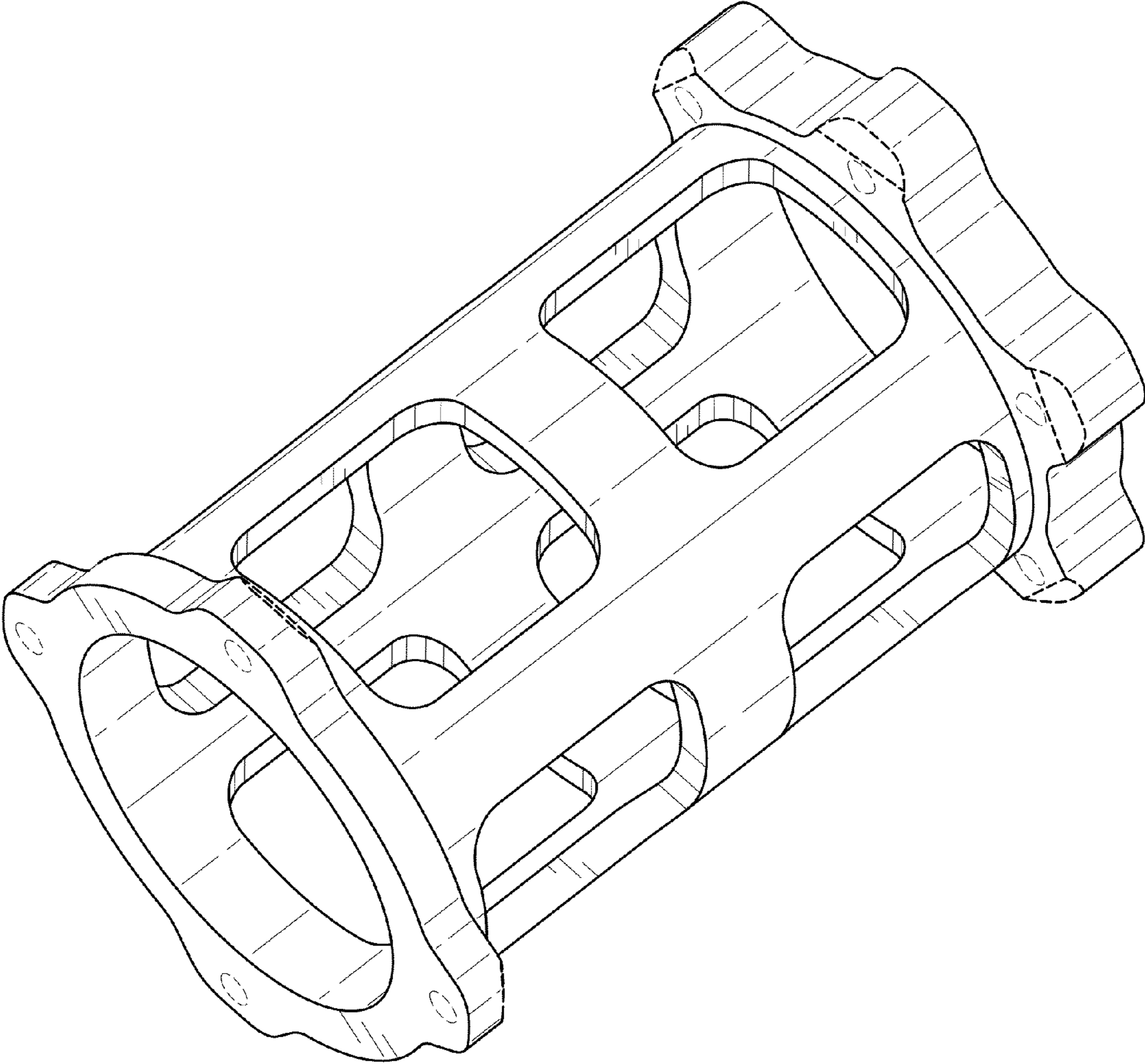


Fig. 1

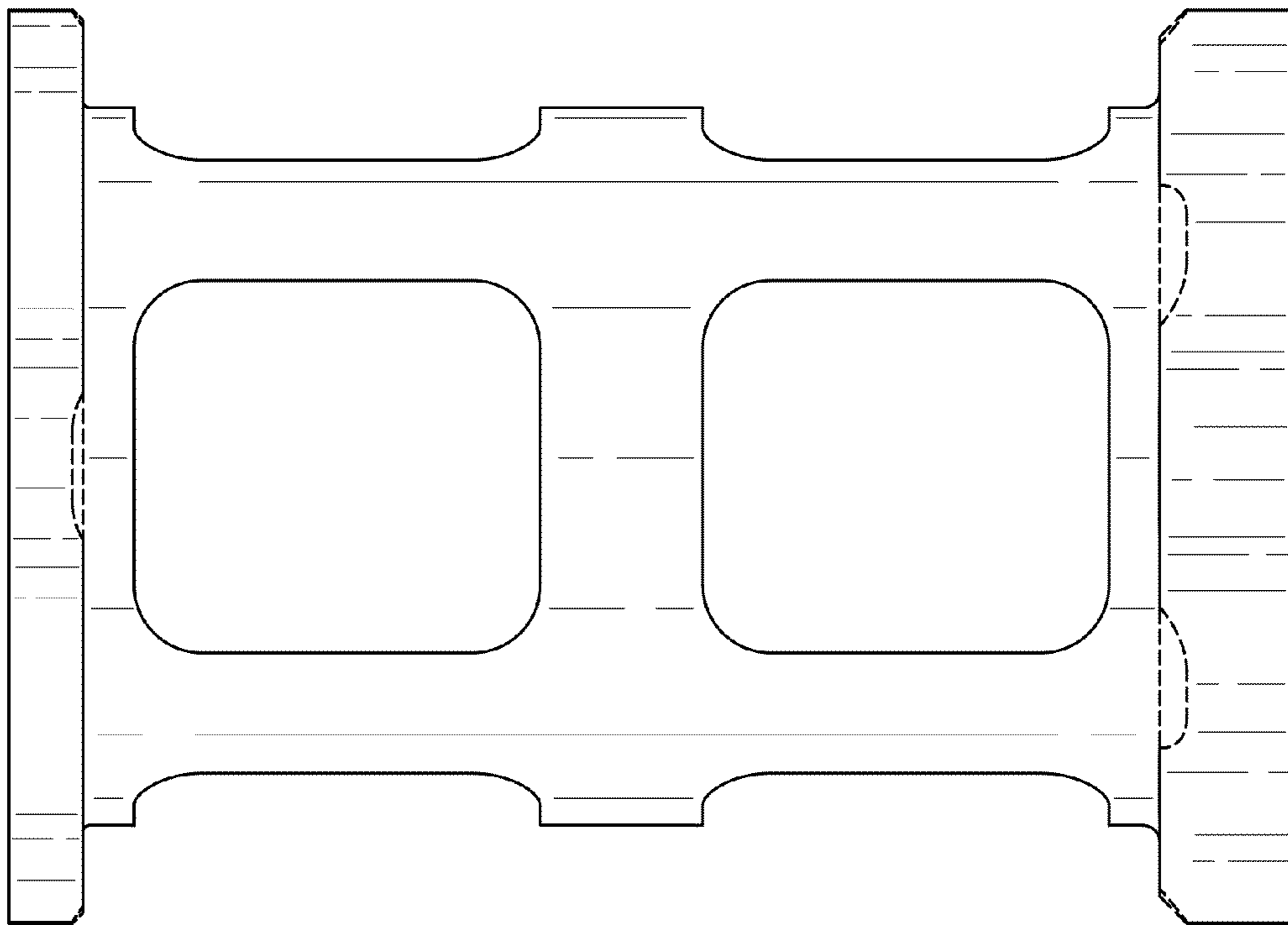


Fig. 2

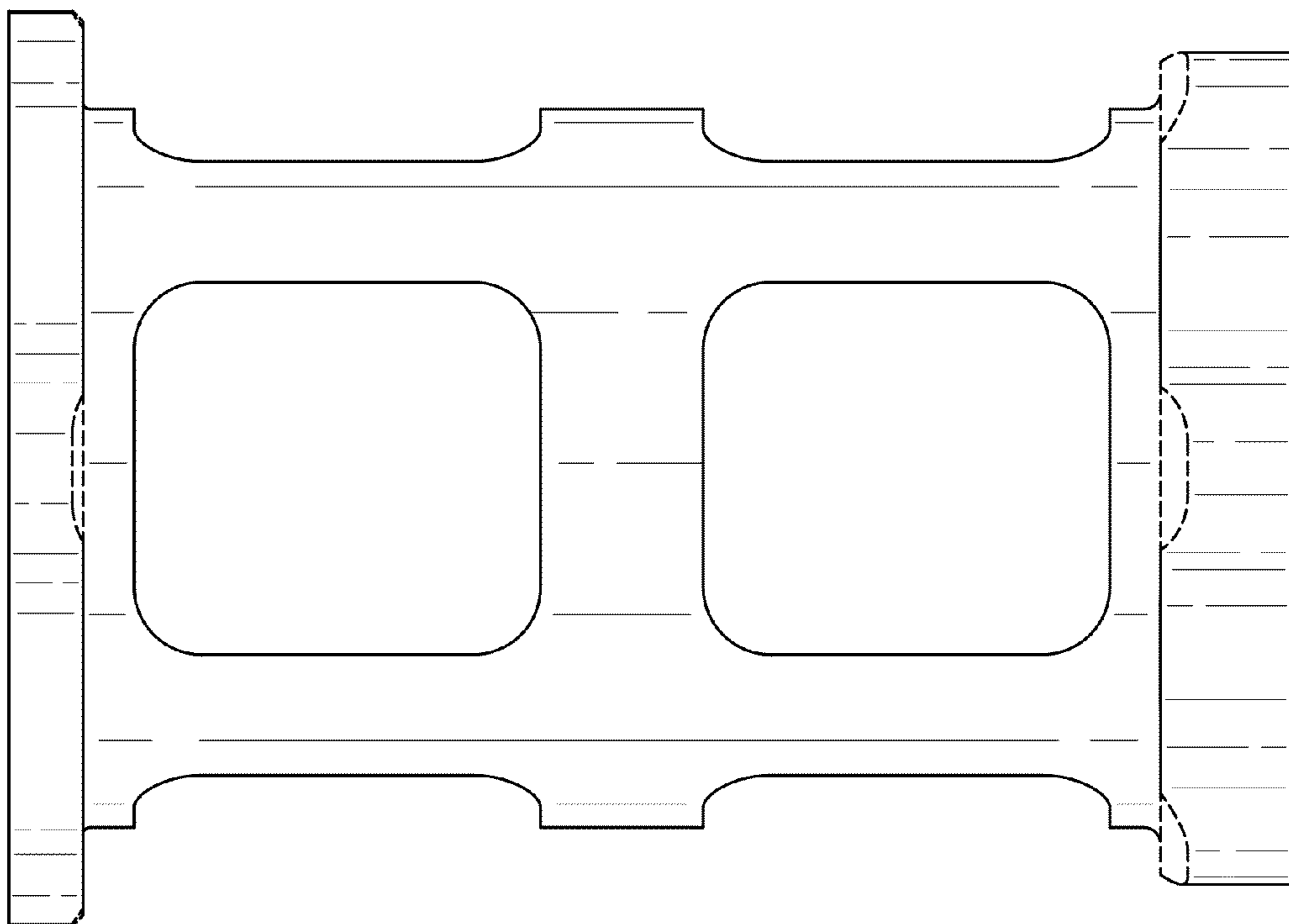


Fig. 3

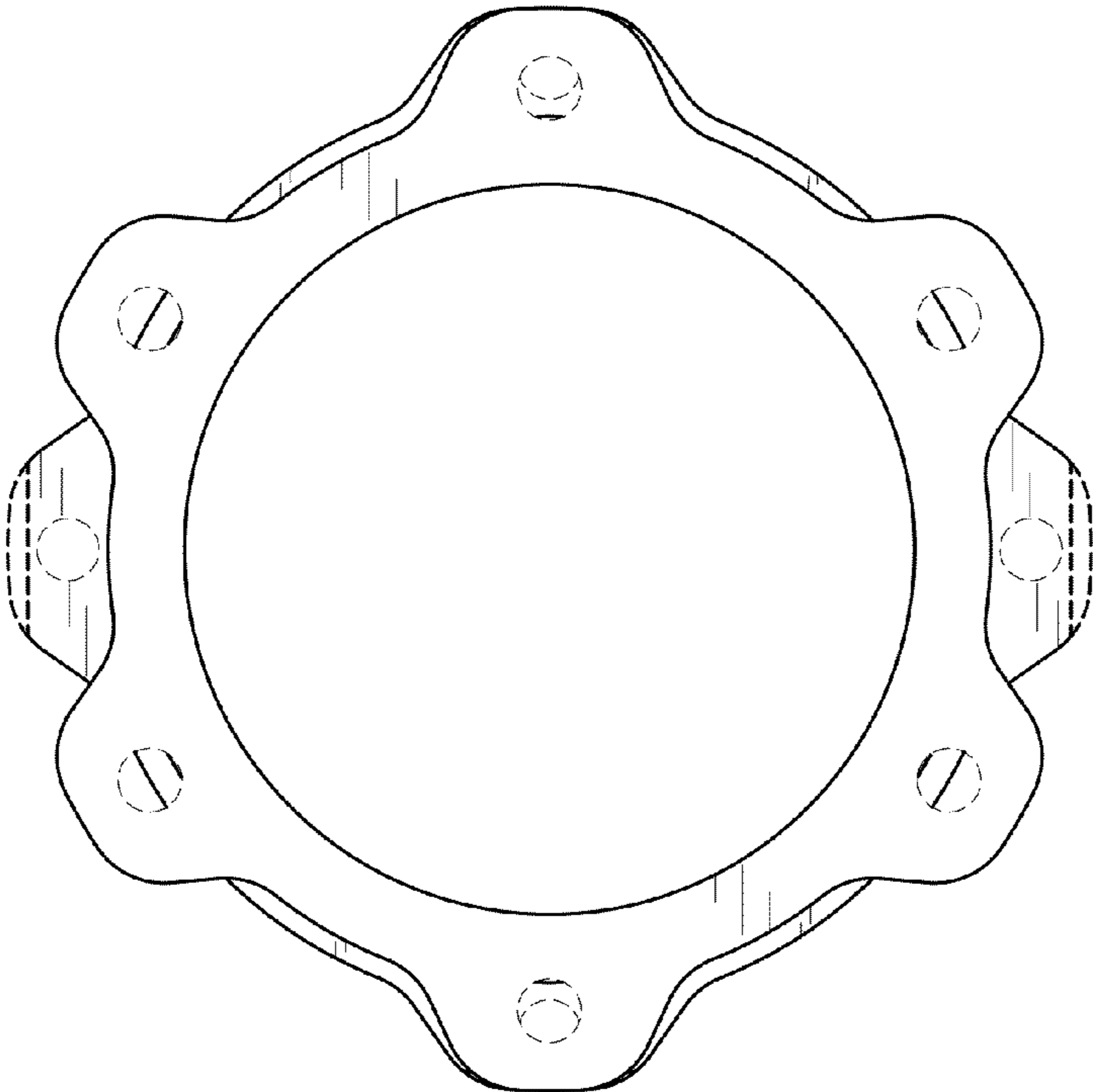


Fig. 4

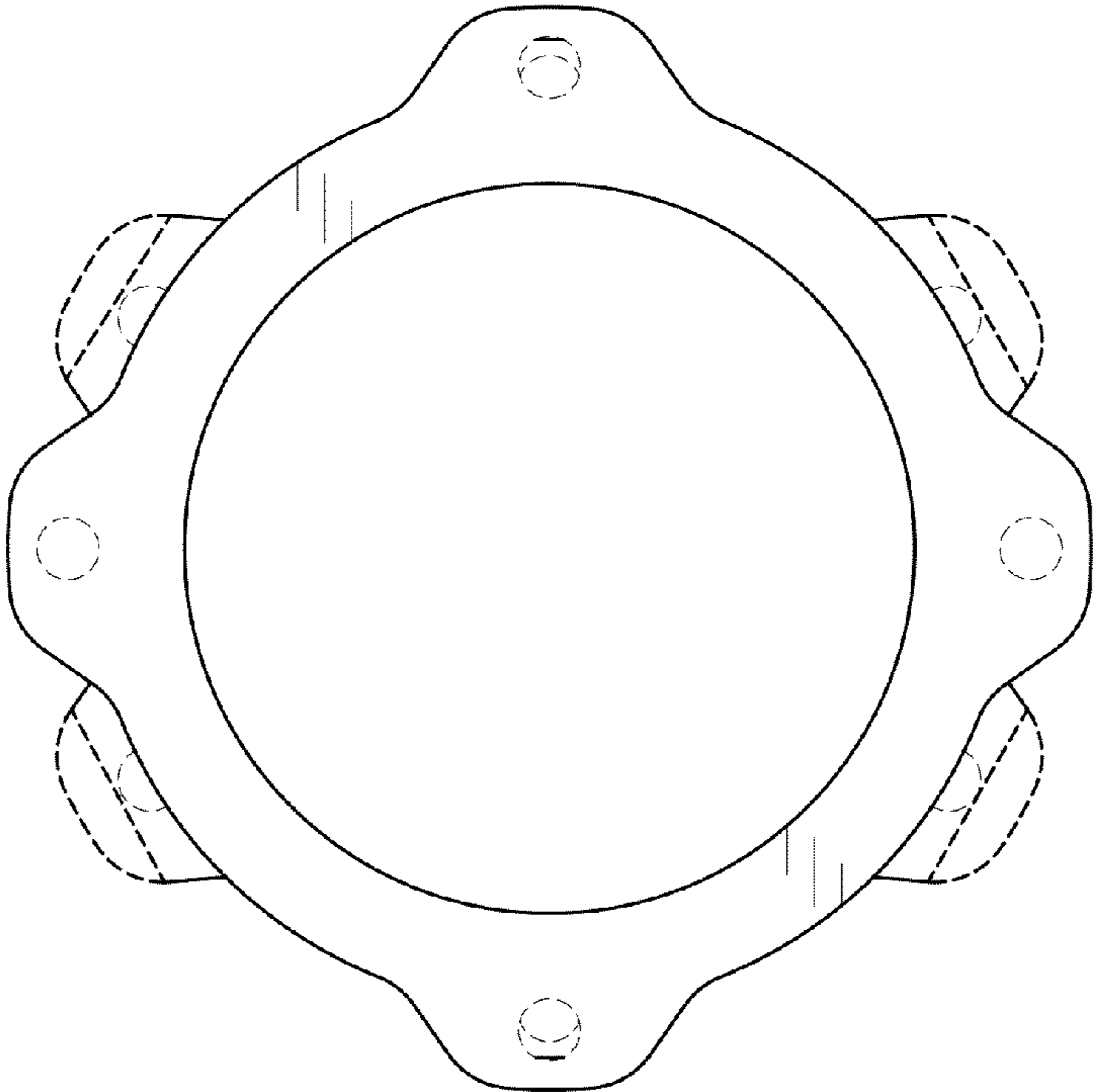


Fig. 5