



US00D731275S

(12) **United States Design Patent**
Hochman

(10) **Patent No.:** **US D731,275 S**
(45) **Date of Patent:** **** Jun. 9, 2015**

(54) **SNAP IN MOUNT FOR LINEAR EXTRUSION PROFILE**

(75) Inventor: **Jeremy Hochman**, Walnut, CA (US)

(73) Assignee: **Revolution Display, Inc.**, Glendale, CA (US)

(**) Term: **14 Years**

(21) Appl. No.: **29/423,158**

(22) Filed: **May 29, 2012**

(51) **LOC (10) Cl.** **08-03**

(52) **U.S. Cl.**
USPC **D8/65**

(58) **Field of Classification Search**
USPC D8/349, 350, 353, 354, 355, 356, 359, D8/366, 367, 373, 374, 381, 394; 248/121, 248/200, 220.2, 229, 271, 300, 309.1, 489; D25/119, 199; D26/113, 119, 120, D26/121, 125, 128, 138, 152; D6/114, 137, D6/556; 362/240, 249.06

See application file for complete search history.

(56) **References Cited**

U.S. PATENT DOCUMENTS

4,062,511	A	*	12/1977	Ray	248/300
D247,637	S	*	3/1978	Win	D26/152
D257,810	S	*	1/1981	Wilson	D6/556
D309,560	S	*	7/1990	Warlick	D8/355
D420,149	S	*	2/2000	Hersh et al.	D25/119
D437,944	S	*	2/2001	Neuhofer, Jr.	D25/199
D462,601	S	*	9/2002	Chaney	D8/354
6,659,623	B2	*	12/2003	Friend	362/249.06
D487,867	S	*	3/2004	Balaban	D8/354
D519,543	S	*	4/2006	Walker et al.	D17/9
D554,772	S	*	11/2007	Bullock	D25/119
D556,016	S	*	11/2007	Curtas	D8/354

D558,040	S	*	12/2007	Skinner	D8/382
7,331,689	B2	*	2/2008	Chen	362/240
D575,631	S	*	8/2008	Huang	D8/354
D601,000	S	*	9/2009	Cole et al.	D8/349
D607,711	S	*	1/2010	Adams et al.	D8/354
D608,181	S	*	1/2010	Koizumi	D8/354
D609,553	S	*	2/2010	Koizumi	D8/354
D618,992	S	*	7/2010	Rix	D8/394
D619,879	S	*	7/2010	McCarthy et al.	D8/354
D649,680	S	*	11/2011	Trzesniowski	D26/138
D649,683	S	*	11/2011	Trzesniowski	D26/138
D649,690	S	*	11/2011	Trzesniowski	D26/138
D649,692	S	*	11/2011	Trzesniowski	D26/138
D652,985	S	*	1/2012	Trzesniowski	D26/138
D652,986	S	*	1/2012	Trzesniowski	D26/138
D662,653	S	*	6/2012	Hochman	D26/138

* cited by examiner

Primary Examiner — Eric Goodman

Assistant Examiner — Bao-Yen Nguyen

(74) *Attorney, Agent, or Firm* — Downs Rachlin Martin PLLC

(57) **CLAIM**

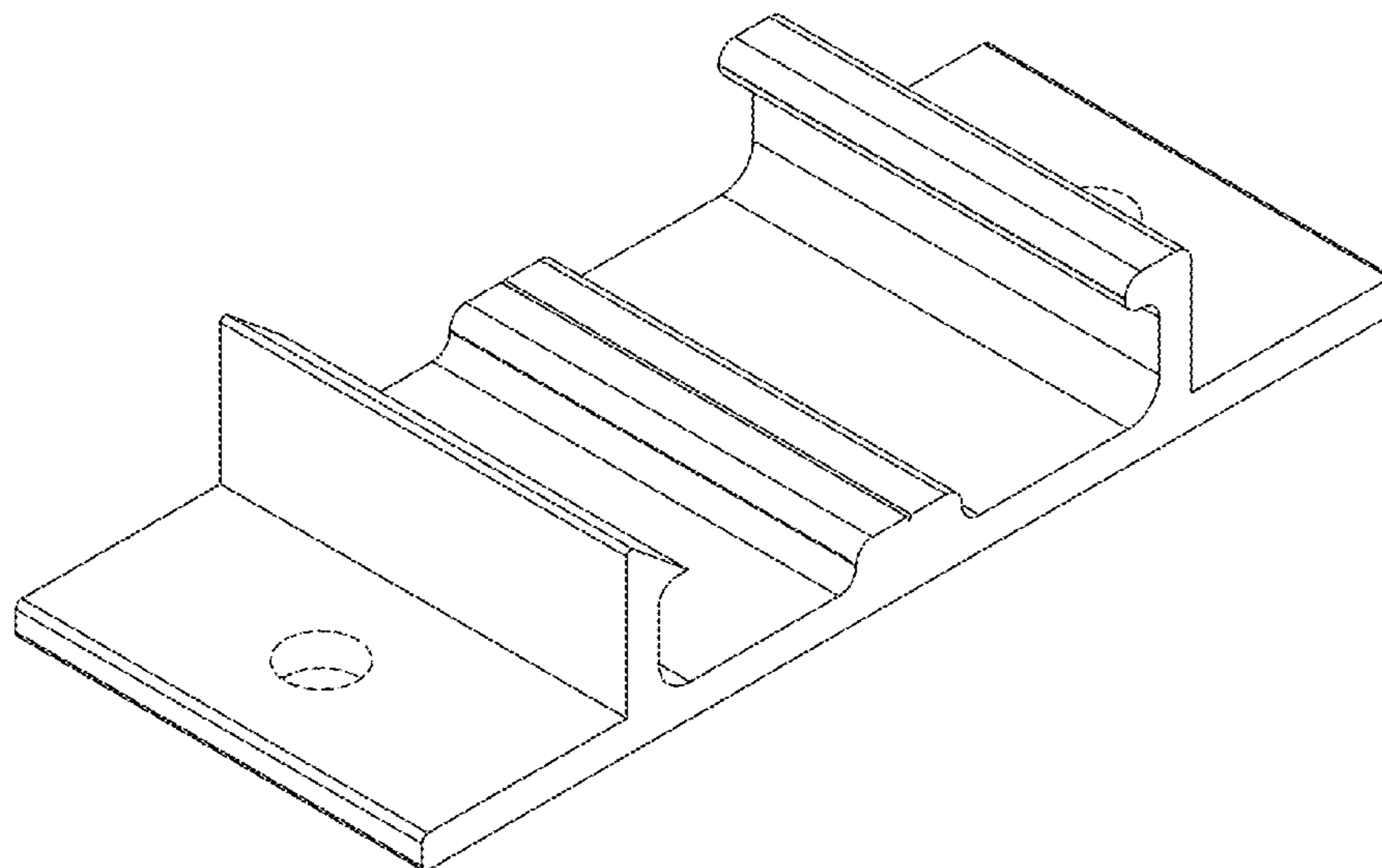
The ornamental design for a snap in mount for linear extrusion profile, as shown and described.

DESCRIPTION

FIG. 1 is a perspective view of a snap in mount for linear extrusion profile showing my new design; FIG. 2 is a front view thereof; FIG. 3 is a first side view thereof; FIG. 4 is a second, opposing side view thereof; FIG. 5 is a top side view thereof; and, FIG. 6 is a bottom side view thereof.

The broken lines in the Figures are for the purpose of illustrating unclaimed portions of the snap in mount for linear extrusion profile and form no part of the claimed design.

1 Claim, 4 Drawing Sheets



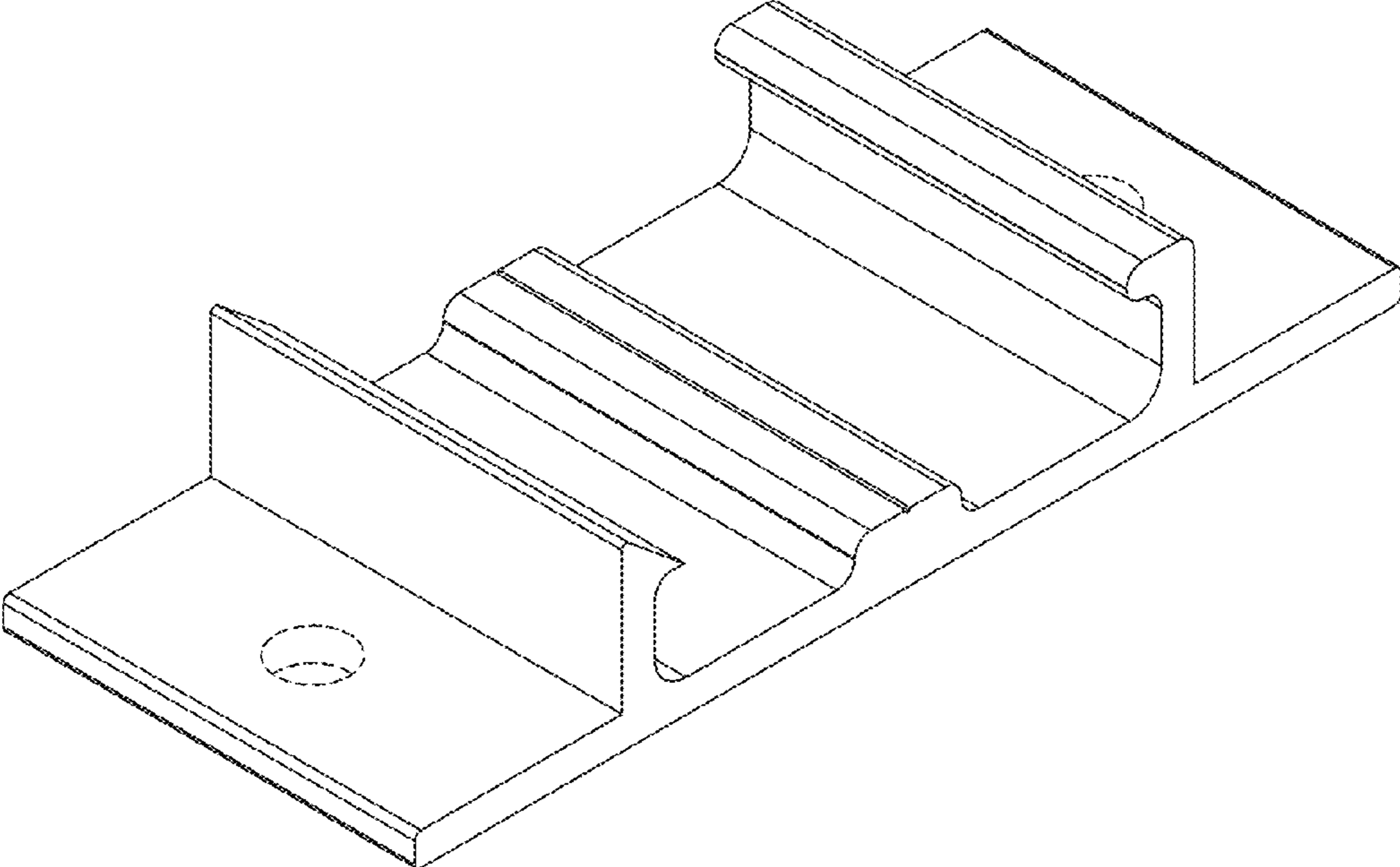


FIG. 1

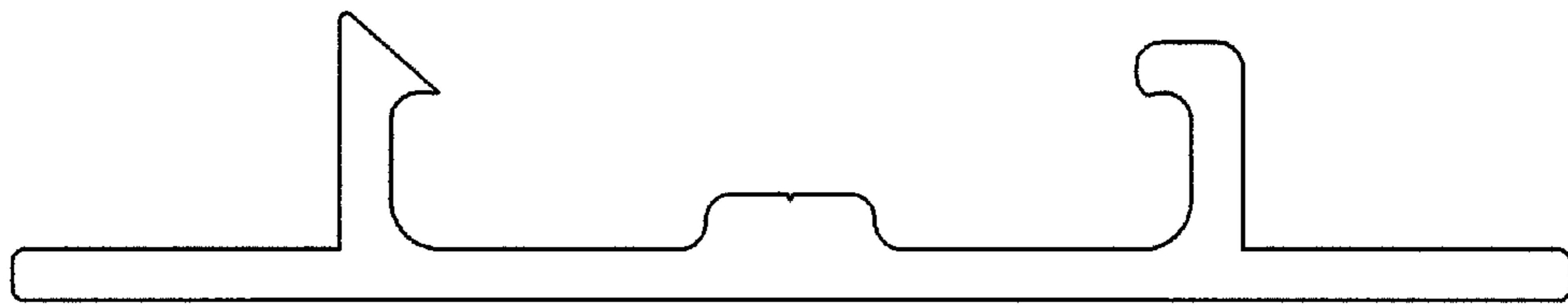


FIG. 2

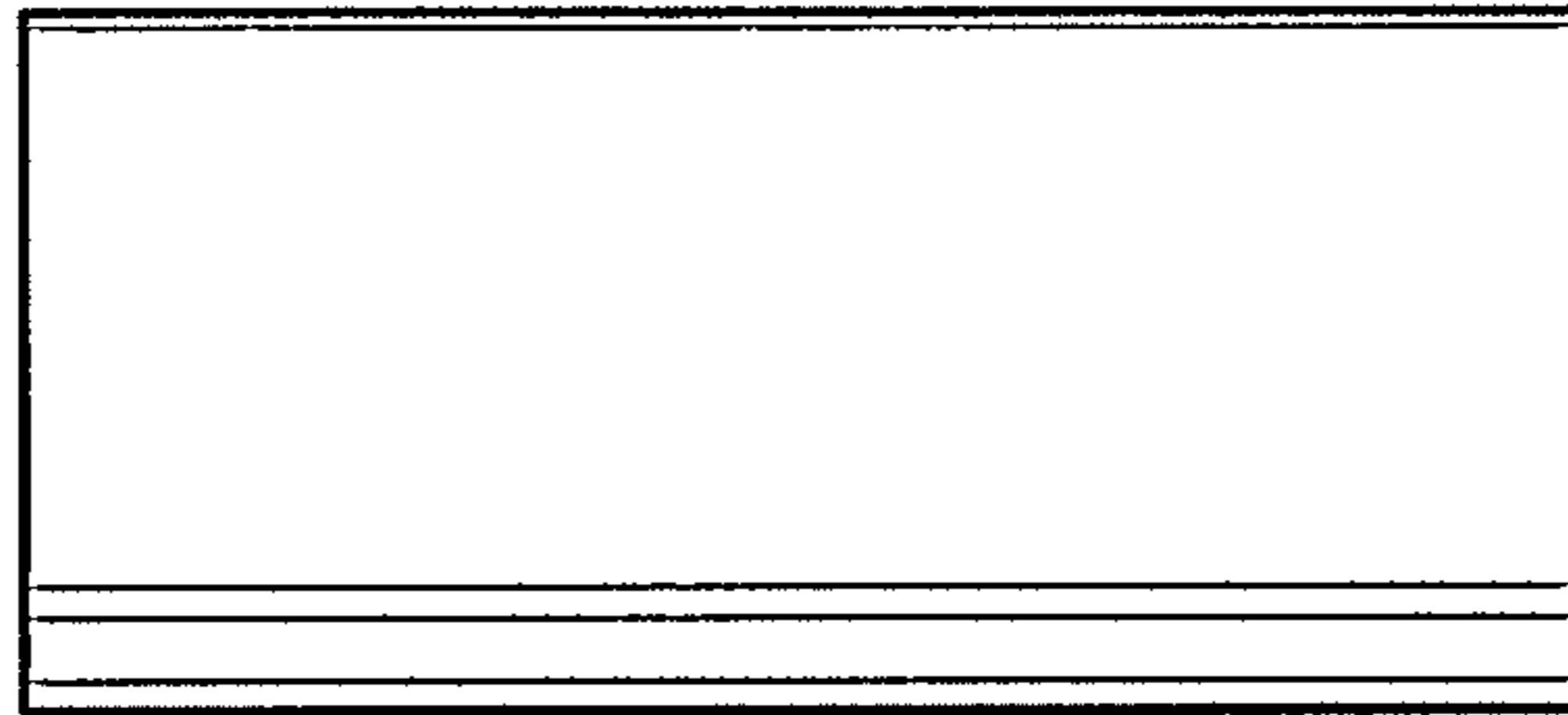


FIG. 3

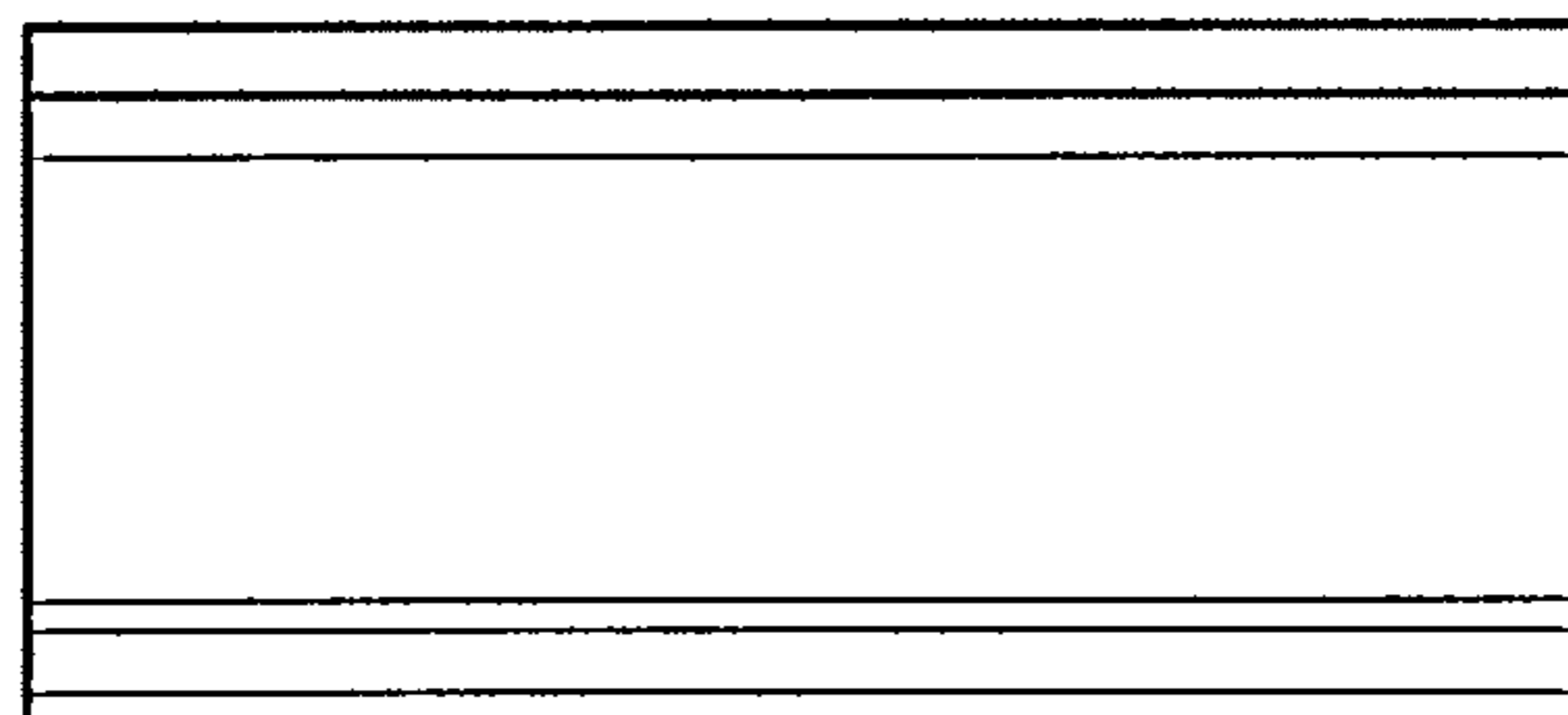


FIG. 4

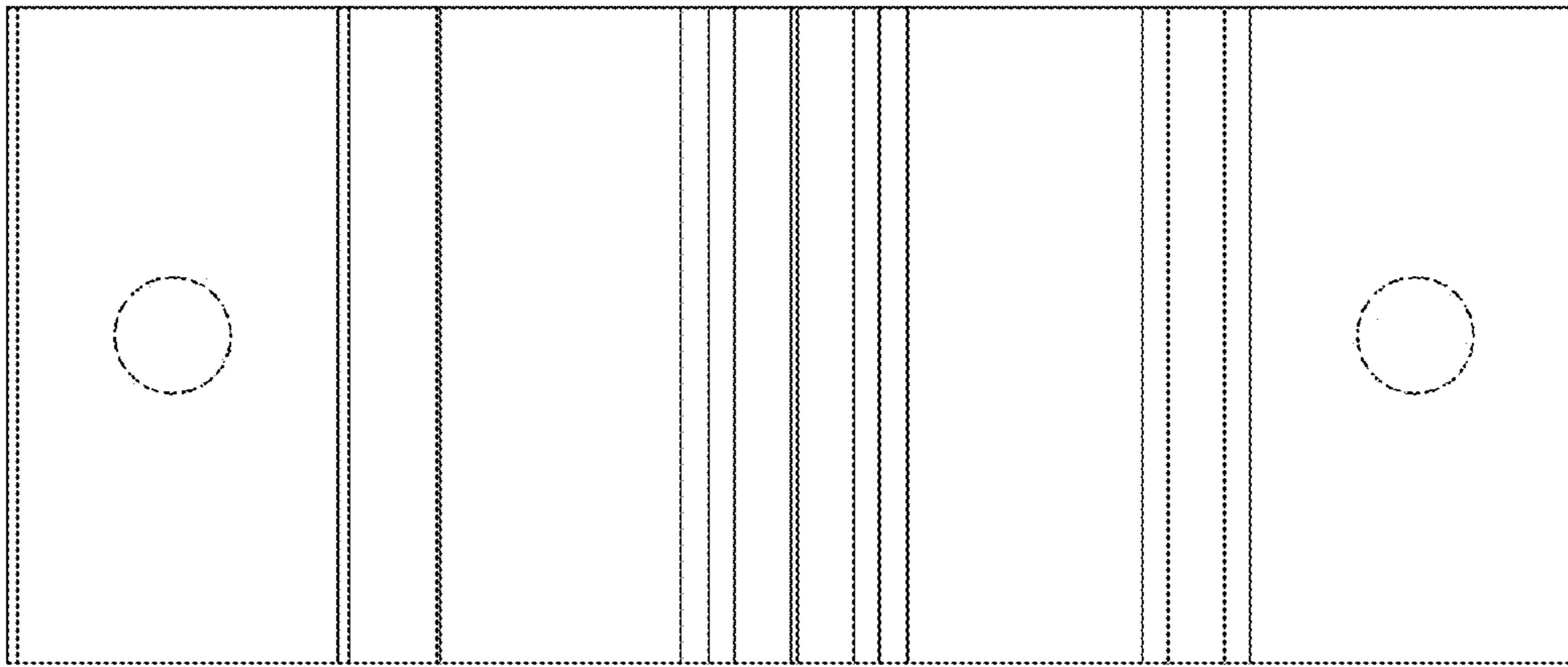


FIG. 5



FIG. 6