



US00D731274S

(12) **United States Design Patent**  
**Bonacina et al.**

(10) **Patent No.:** **US D731,274 S**

(45) **Date of Patent:** **\*\* Jun. 9, 2015**

(54) **STAPLER**

(56) **References Cited**

(71) Applicant: **Poppin Inc.**, New York, NY (US)

U.S. PATENT DOCUMENTS

(72) Inventors: **Matteo Bonacina**, Astoria, NY (US);  
**Won Sik Keum**, New York, NY (US);  
**Jeffrey Frederick Miller**, New York,  
NY (US); **Francesca Pezze**, Brooklyn,  
NY (US)

D412,154 S *	7/1999	Lok .....	D13/147
D416,230 S *	11/1999	Narumo et al. ....	D13/147
D449,304 S *	10/2001	Herath .....	D14/433
D474,154 S *	5/2003	Lai .....	D13/147
D519,465 S *	4/2006	Sirichai et al. ....	D13/156
D601,142 S *	9/2009	Lindley .....	D14/358
D618,240 S *	6/2010	Larmour et al. ....	D14/358
D632,694 S *	2/2011	Dickhoff et al. ....	D14/435
D717,309 S *	11/2014	Govindarajan .....	D14/480.6
D717,747 S *	11/2014	Nishimoto et al. ....	D14/125
D721,374 S *	1/2015	Liu .....	D14/433

(73) Assignee: **Poppin, Inc.**, New York, NY (US)

(\*\*) Term: **14 Years**

\* cited by examiner

(21) Appl. No.: **29/504,414**

*Primary Examiner* — Austin Murphy

(22) Filed: **Oct. 6, 2014**

(74) *Attorney, Agent, or Firm* — K&L Gates LLP

**Related U.S. Application Data**

(57) **CLAIM**

The ornamental design for a stapler, as shown and described.

(63) Continuation of application No. 29/466,123, filed on  
Sep. 4, 2013, now Pat. No. Des. 714,608.

(51) **LOC (10) Cl.** ..... **19-02**

(52) **U.S. Cl.**  
USPC ..... **D8/50**

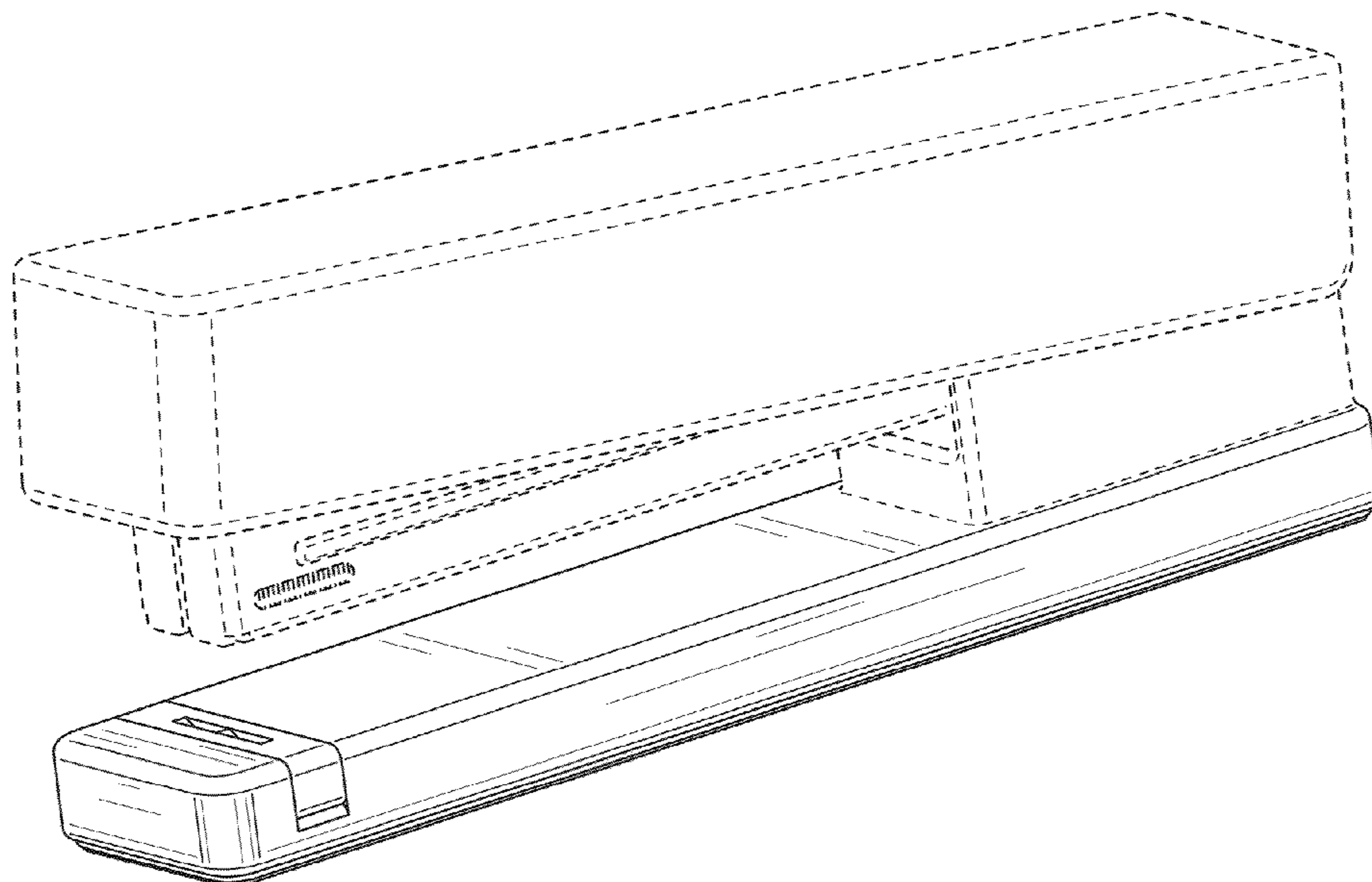
(58) **Field of Classification Search**  
USPC ..... D8/48, 49, 50, 61, 68, 69, 70; D19/72,  
D19/73, 65, 69; D21/532; D24/145; 7/158,  
7/160; 227/4, 5, 6, 7, 8, 120, 127, 128,  
227/131, 132, 134, 144, 156, 175.1;  
606/139, 143, 153, 219

See application file for complete search history.

**DESCRIPTION**

FIG. 1 is a perspective view of a stapler;  
FIG. 2 is a front elevation view thereof;  
FIG. 3 is a rear elevation view thereof;  
FIG. 4 is a left side elevation view thereof;  
FIG. 5 is a right side elevation view thereof;  
FIG. 6 is a top plan view thereof; and,  
FIG. 7 is a bottom plan view thereof.  
The broken line portions of the figures are included to show an  
unclaimed feature which forms no part of the claimed design.

**1 Claim, 6 Drawing Sheets**



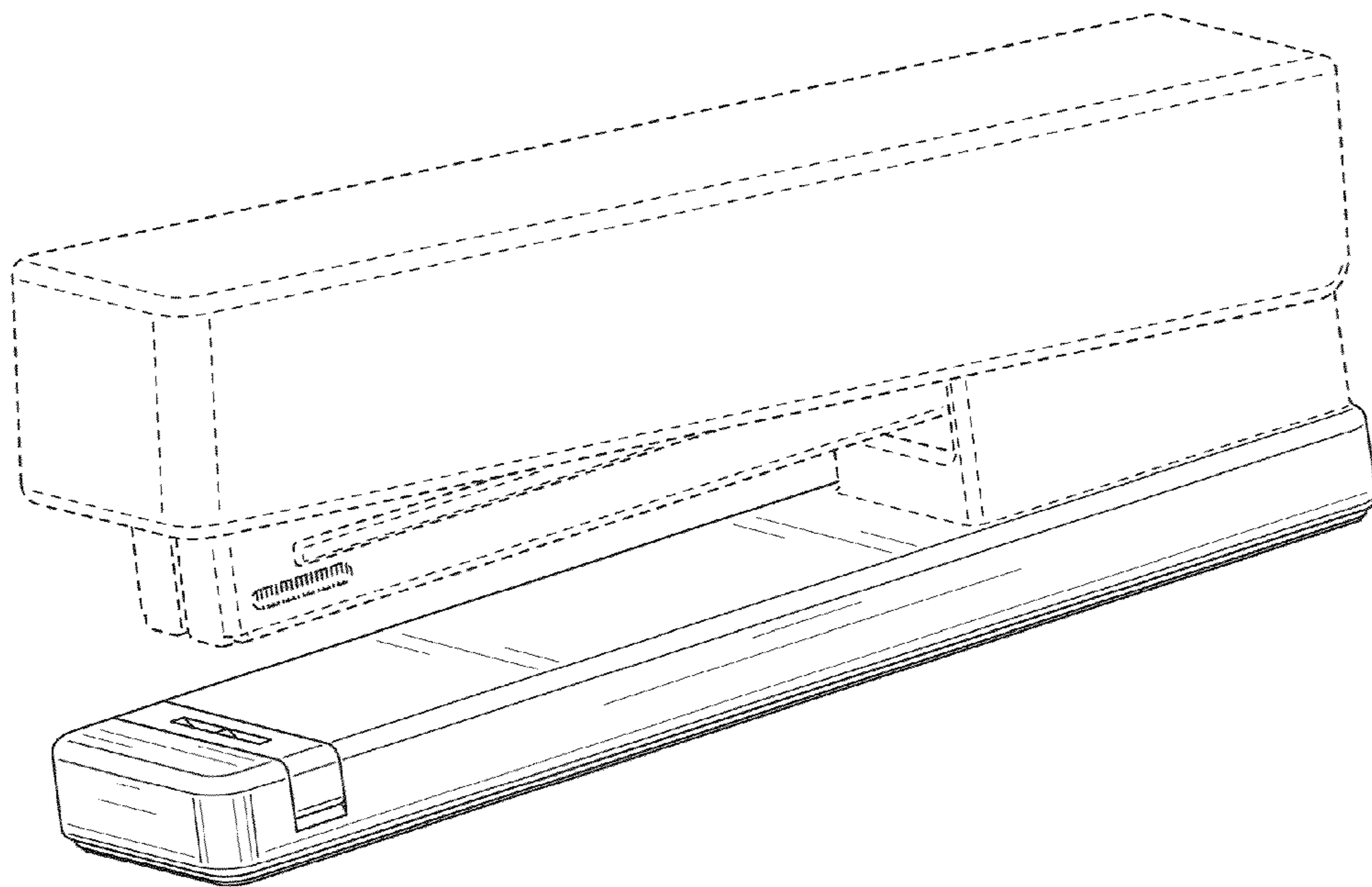


FIG. 1

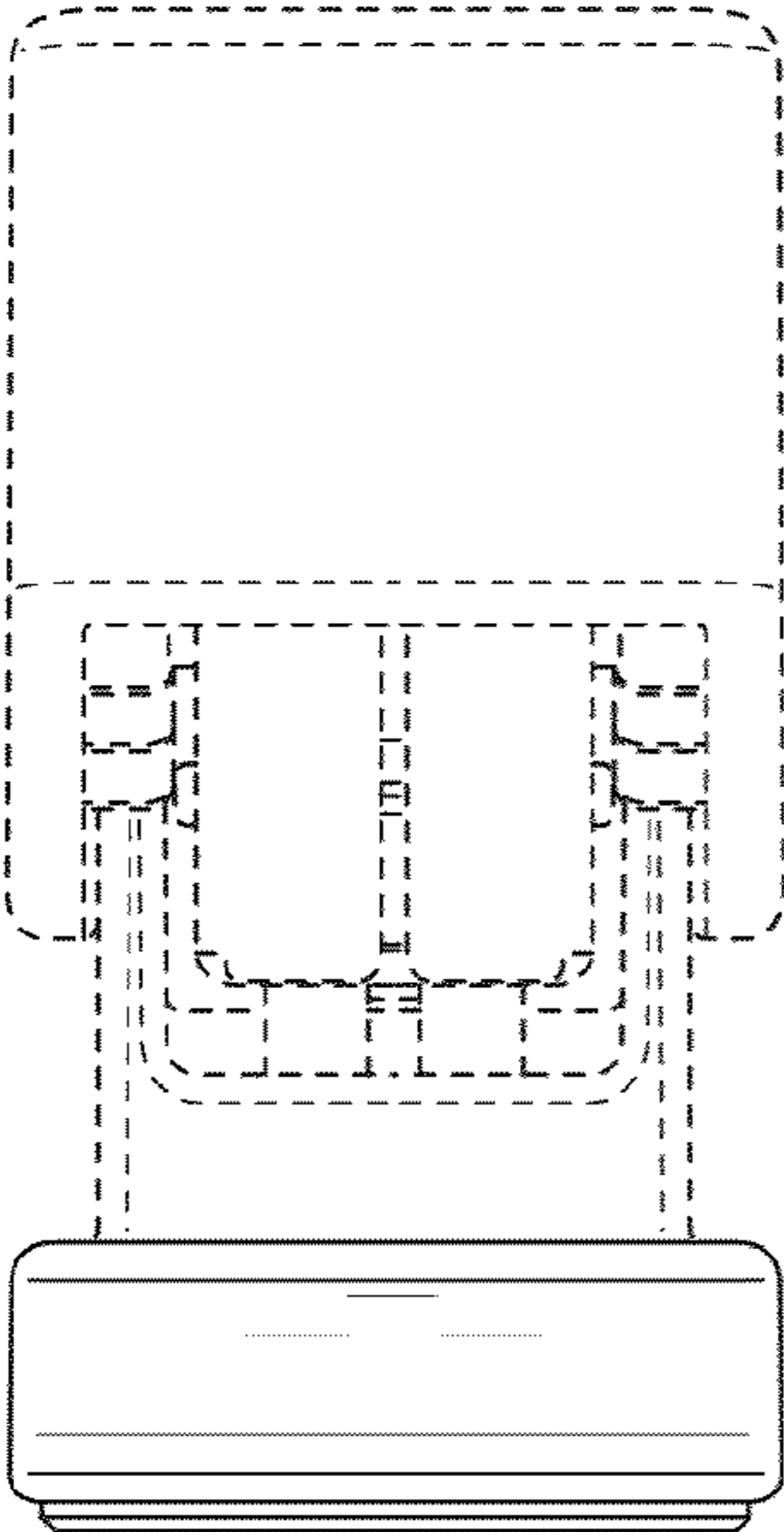


FIG. 2

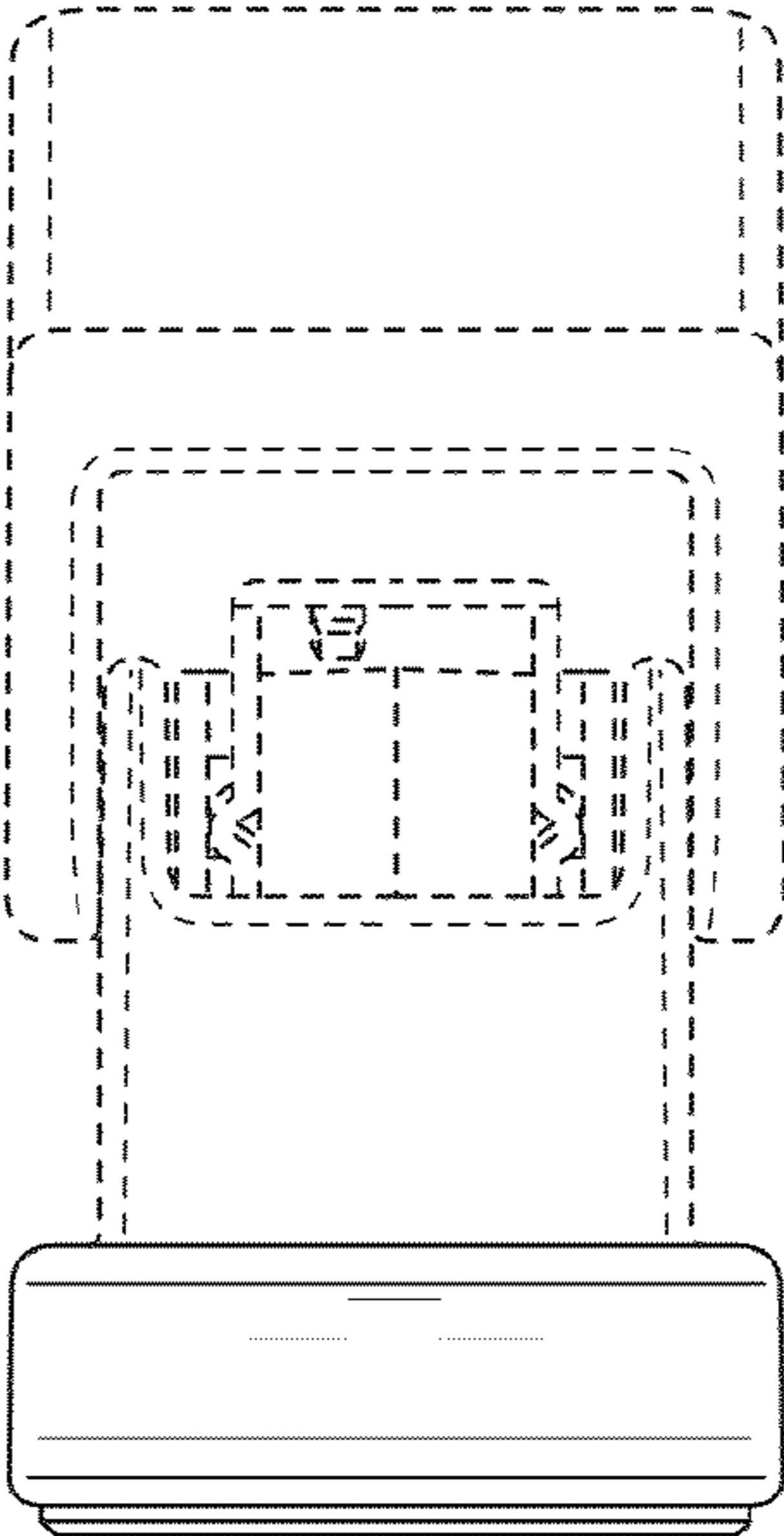


FIG. 3

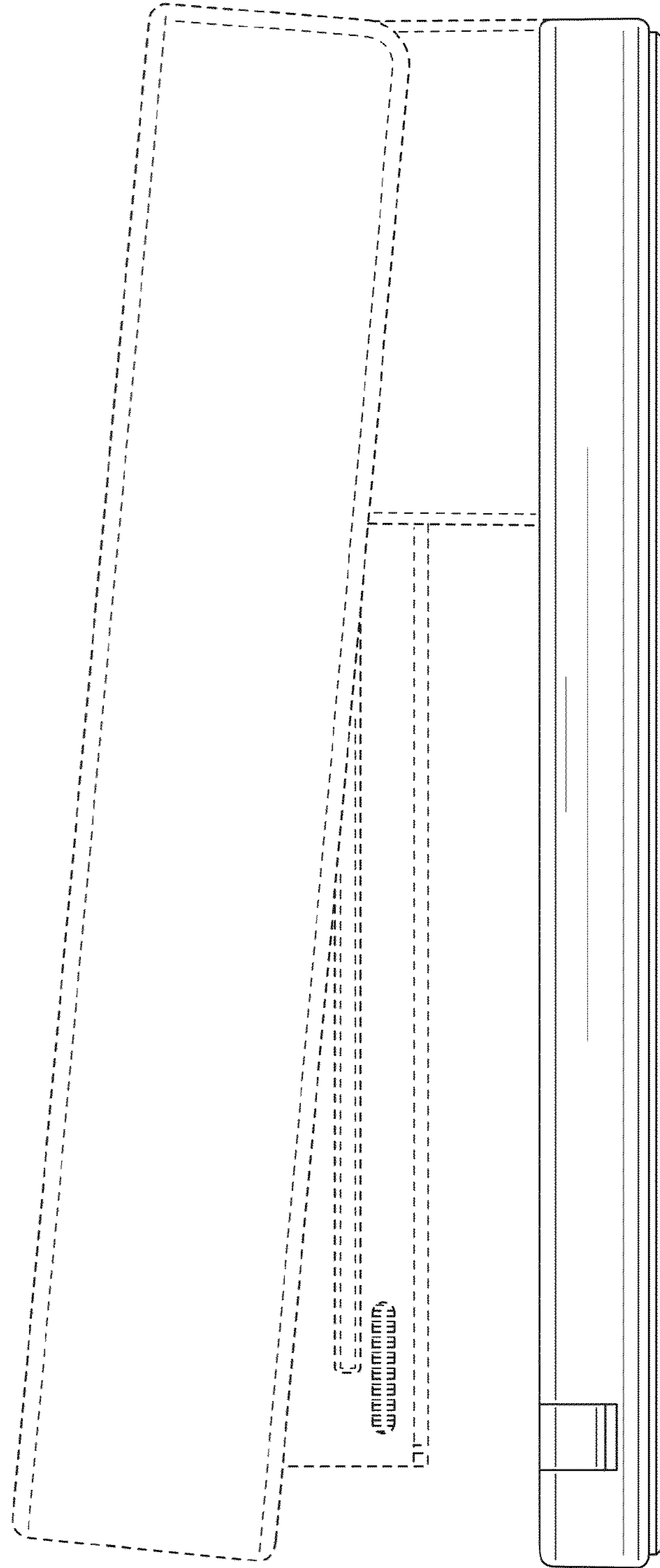


FIG. 4

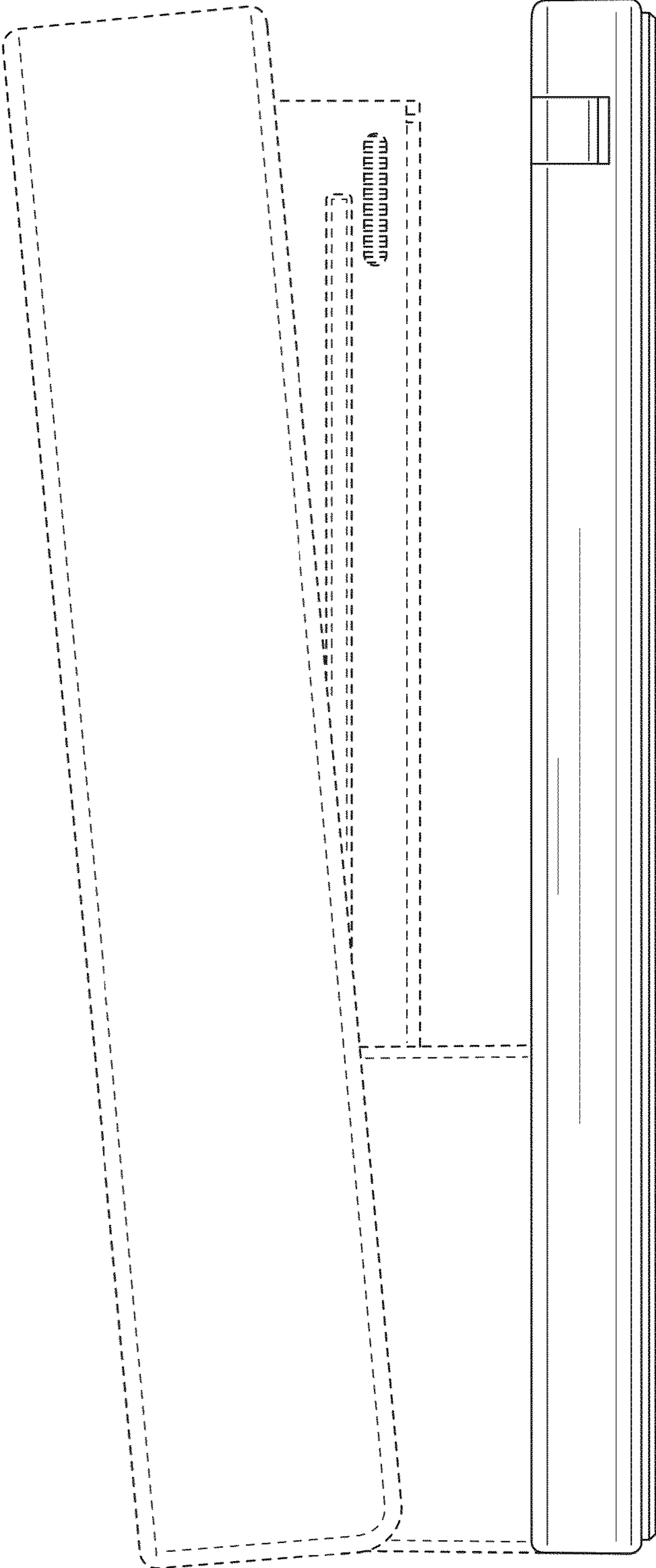


FIG. 5

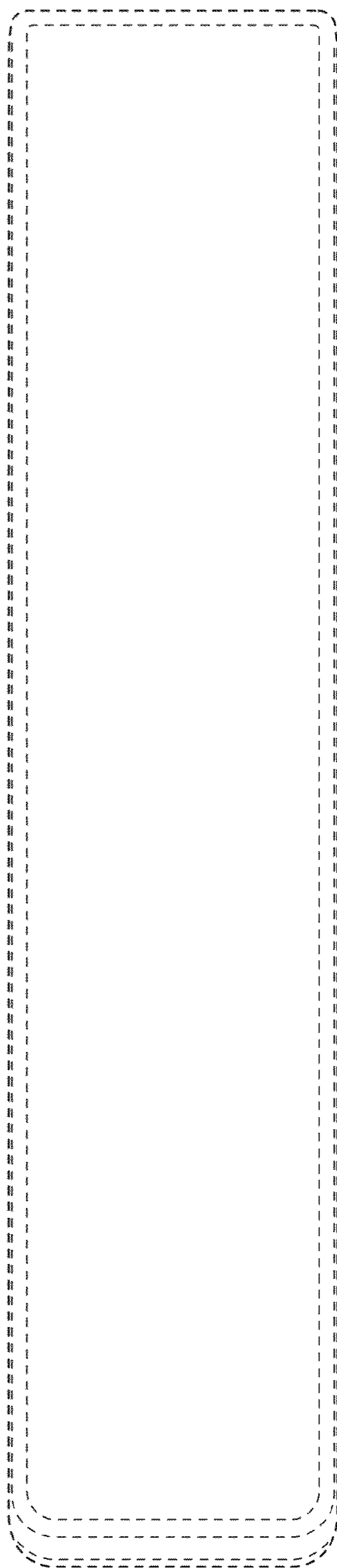


FIG. 6

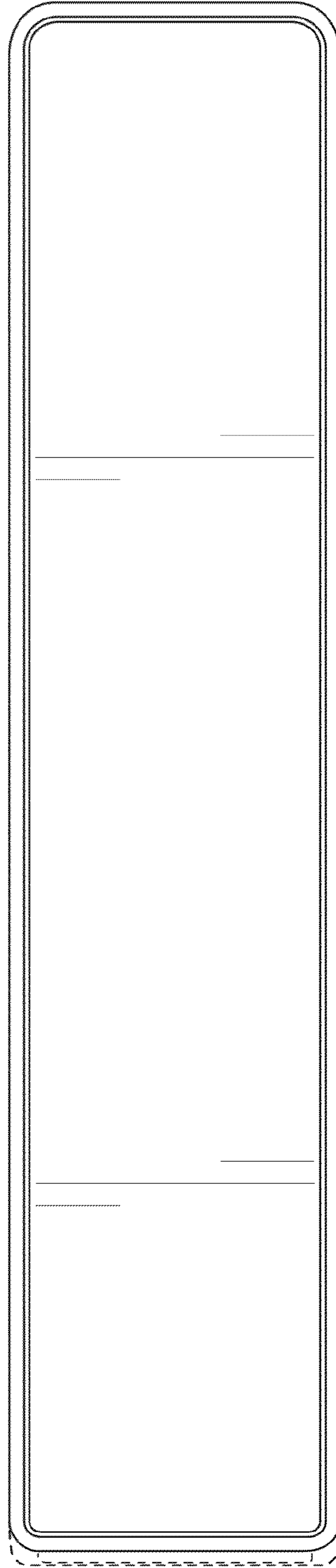


FIG. 7