



US00D731273S

(12) **United States Design Patent**
McPeak Ford et al.

(10) **Patent No.:** **US D731,273 S**
(45) **Date of Patent:** **** Jun. 9, 2015**

- (54) **RESCUE WEDGE**
- (71) Applicants: **Jared R. McPeak Ford**, Austin, TX
(US); **Wesley P. Porter**, Austin, TX (US)
- (72) Inventors: **Jared R. McPeak Ford**, Austin, TX
(US); **Wesley P. Porter**, Austin, TX (US)
- (**) Term: **14 Years**
- (21) Appl. No.: **29/455,855**
- (22) Filed: **May 24, 2013**
- (51) **LOC (10) Cl.** **08-05**
- (52) **U.S. Cl.**
USPC **D8/47; D8/402**
- (58) **Field of Classification Search**
USPC D8/14, 45, 47, 105, 402; D6/601;
16/82; 248/188.2; 292/342-343
CPC A47B 91/16; A47G 9/10; E05C 17/025;
E05C 17/54; F16M 7/00
See application file for complete search history.

5,249,767	A *	10/1993	Mellen	248/188.2
5,290,012	A *	3/1994	Cottriel et al.	254/104
D406,028	S *	2/1999	Montgomery	D8/47
D421,374	S *	3/2000	Montgomery	D8/47
6,041,473	A *	3/2000	Johnson	16/82
D442,006	S *	5/2001	Miller	D6/601
D452,404	S *	12/2001	Cameron	D6/601
D456,703	S *	5/2002	Sornsriwichai	D8/402
D481,625	S *	11/2003	Ellsworth	D8/402
D499,958	S *	12/2004	Crane	D8/402
D517,347	S *	3/2006	Hamilton et al.	D6/449
D538,150	S *	3/2007	Burns et al.	D8/402
D563,744	S *	3/2008	Adwar	D8/47
D578,872	S *	10/2008	Healy	D8/402
7,506,905	B1 *	3/2009	George	292/343
D590,676	S *	4/2009	Pickard	D8/47
D599,151	S *	9/2009	Wilson	D6/601
D604,156	S *	11/2009	Healy	D8/402
7,644,964	B2 *	1/2010	Bushey et al.	292/342
D616,293	S *	5/2010	Goodman et al.	D8/402
D664,148	S *	7/2012	Josefek	D14/459
D720,588	S *	1/2015	Pugh	D8/47

* cited by examiner

Primary Examiner — Philip S Hyder

Assistant Examiner — Roselynn Cody

(74) *Attorney, Agent, or Firm* — Albert O. Cota

(56) **References Cited**

U.S. PATENT DOCUMENTS

D87,753	S *	9/1932	Lovell	D8/402
D107,109	S *	11/1937	Carter	D8/47
D134,108	S *	10/1942	Adler	D8/402
D160,262	S *	9/1950	Hinder	D8/402
D178,994	S *	10/1956	Gislason	D8/402
3,009,172	A *	11/1961	Eidam	5/632
3,185,442	A *	5/1965	Hemphill	254/104
D238,745	S *	2/1976	Bedard et al.	D8/47
D246,345	S *	11/1977	Poncia	D8/14
D268,804	S *	5/1983	Bacon	D8/14
D284,738	S *	7/1986	Stone	D8/402
D286,008	S *	10/1986	Hillinger	D8/47
4,736,974	A *	4/1988	Rosenthal	292/343
D309,708	S *	8/1990	Rosa et al.	D8/402
D317,482	S *	6/1991	Michaelsen et al.	D8/88
D321,636	S *	11/1991	Ciciliot	D8/75
D336,224	S *	6/1993	Terry	D8/14

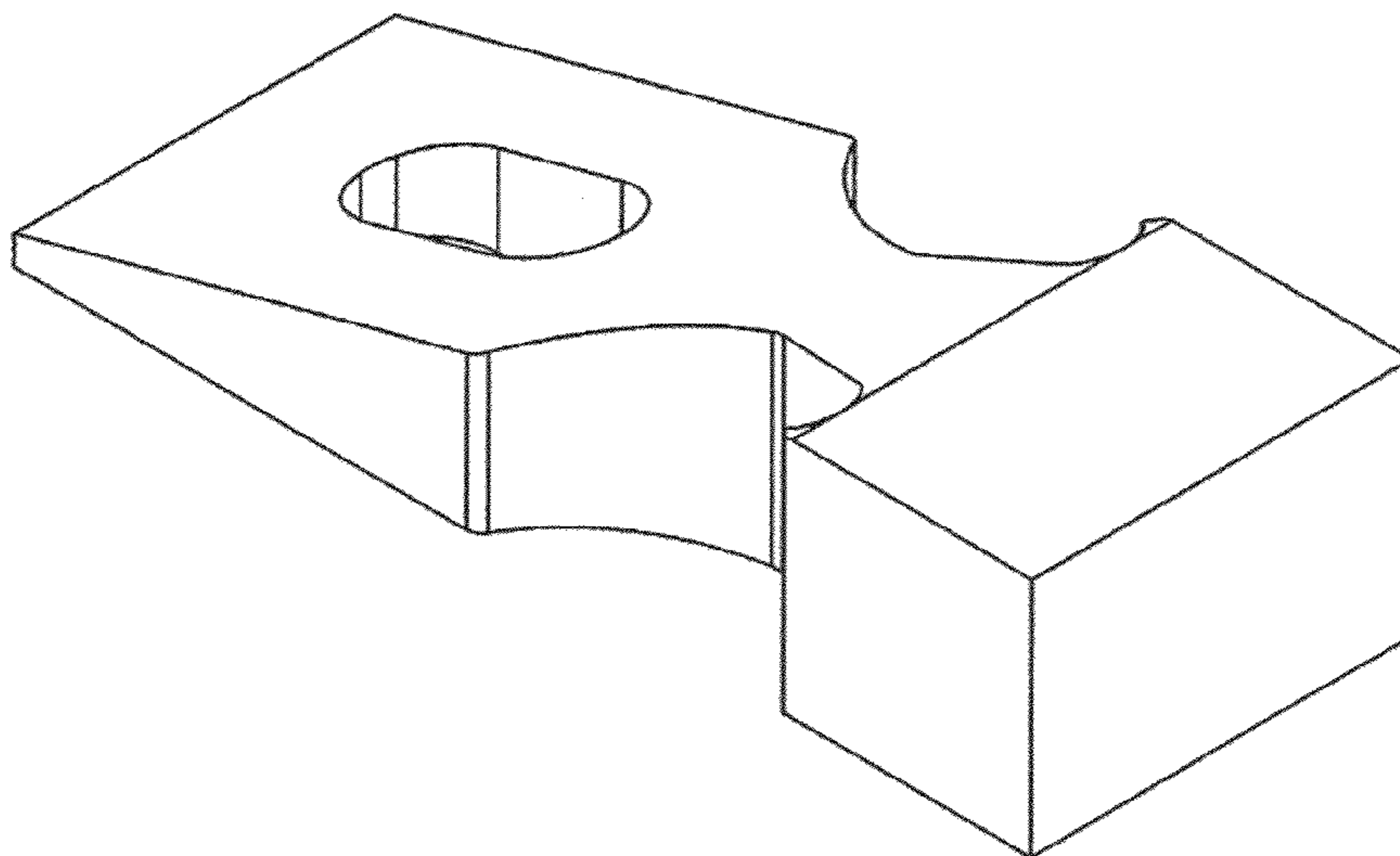
(57) **CLAIM**

The ornamental design for a rescue wedge, as shown and described.

DESCRIPTION

FIG. 1 is an orthographic rear view of the rescue wedge showing our new design;
FIG. 2 is a front elevational view thereof;
FIG. 3 is a rear elevational view thereof;
FIG. 4 is a top plan view thereof;
FIG. 5 is a bottom plan view thereof, and,
FIG. 6 is a right-side elevational view thereof, the left side being a mirror image.

1 Claim, 3 Drawing Sheets



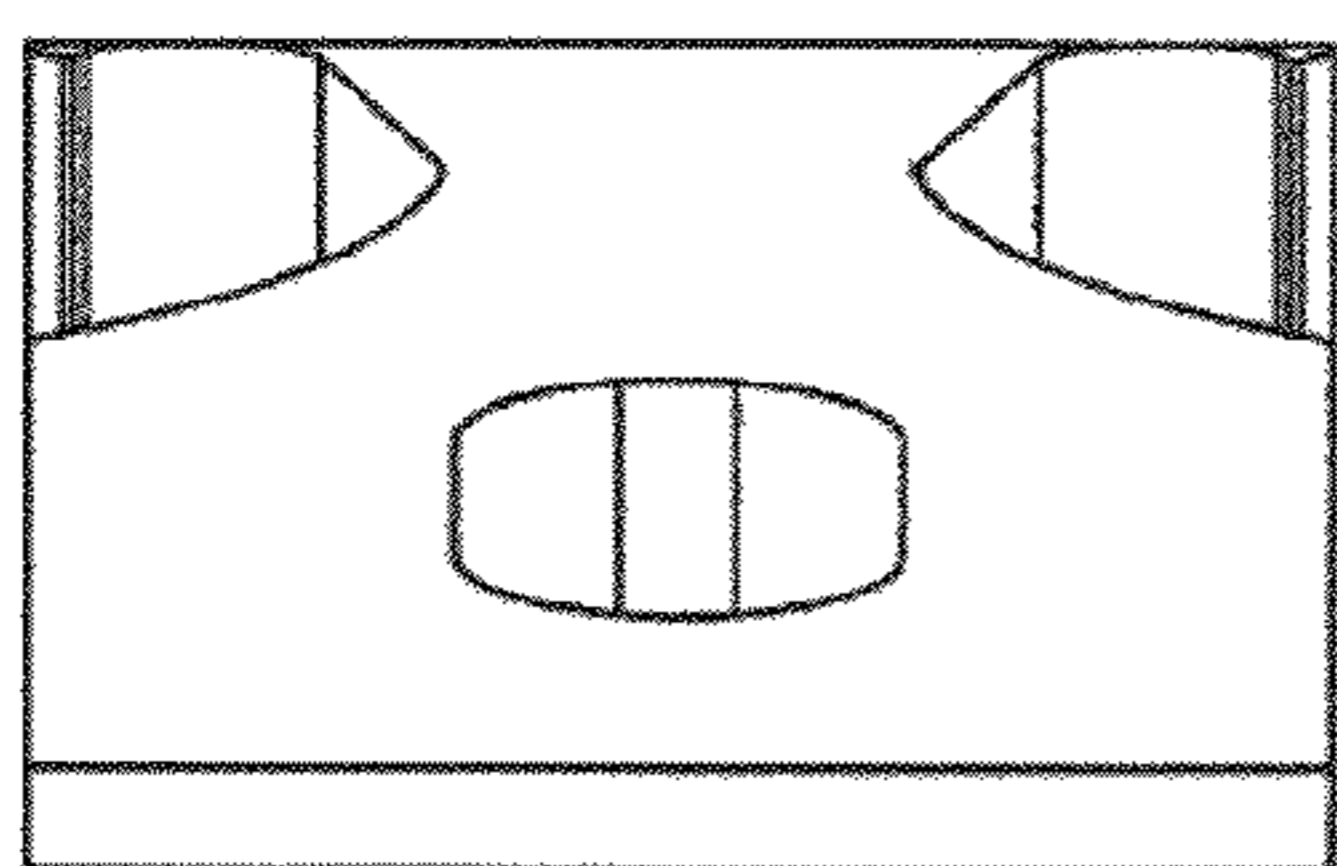


Fig. 2

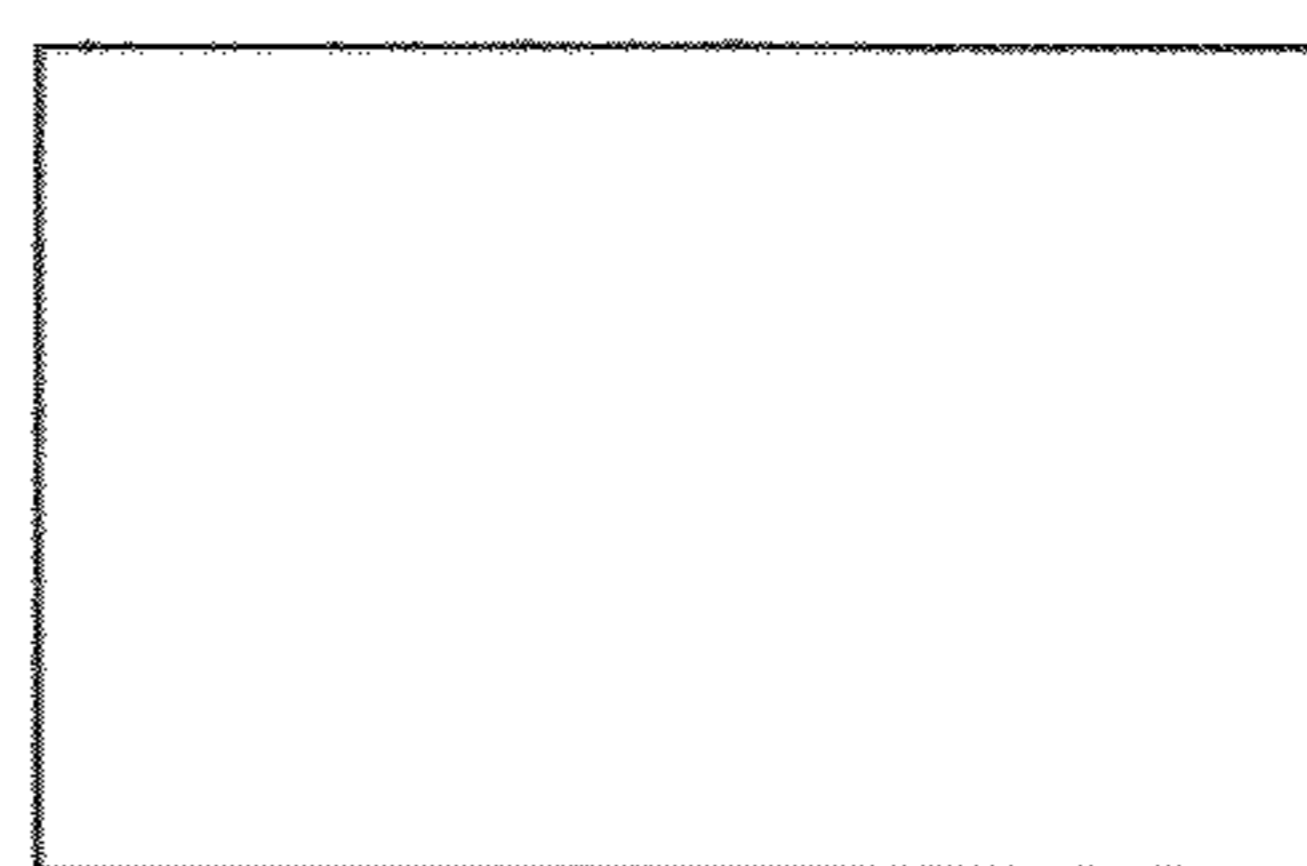


Fig. 3

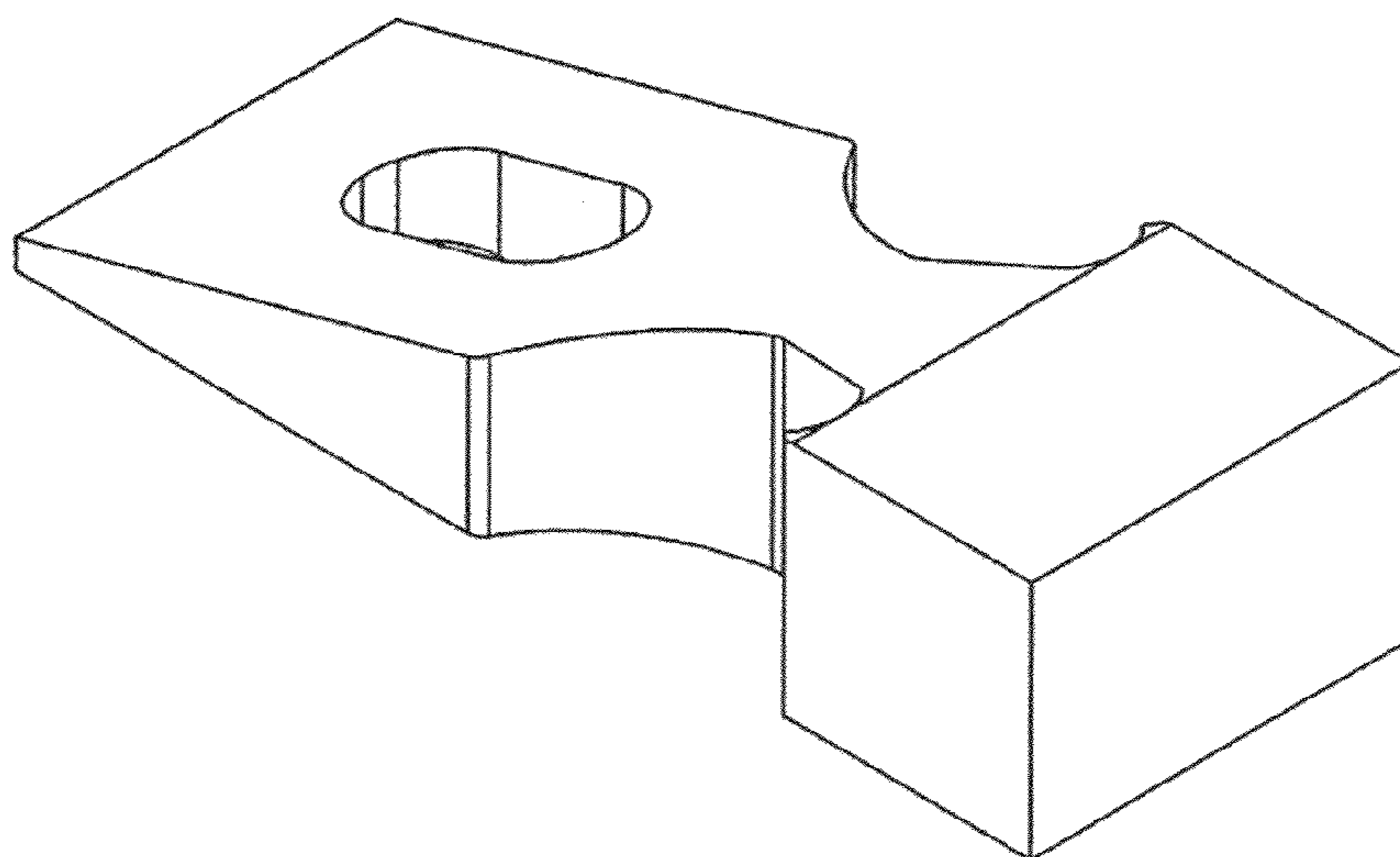


Fig. 1

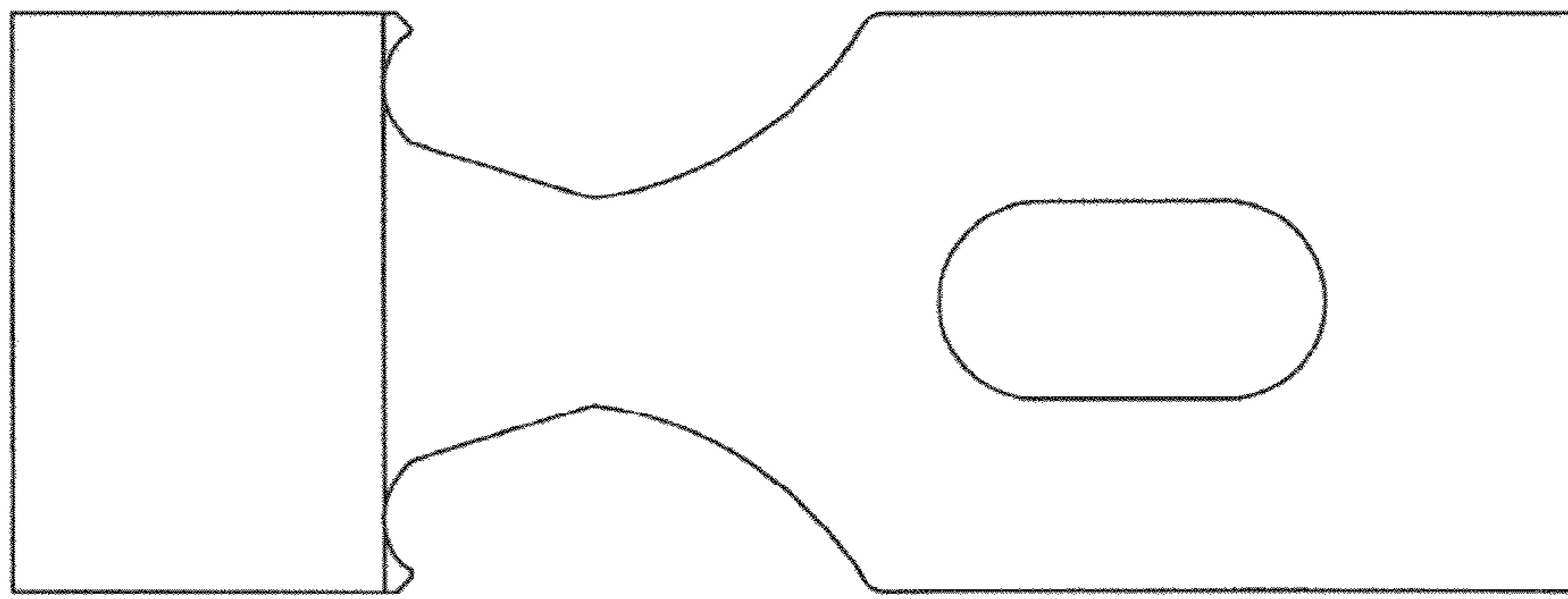


Fig. 4

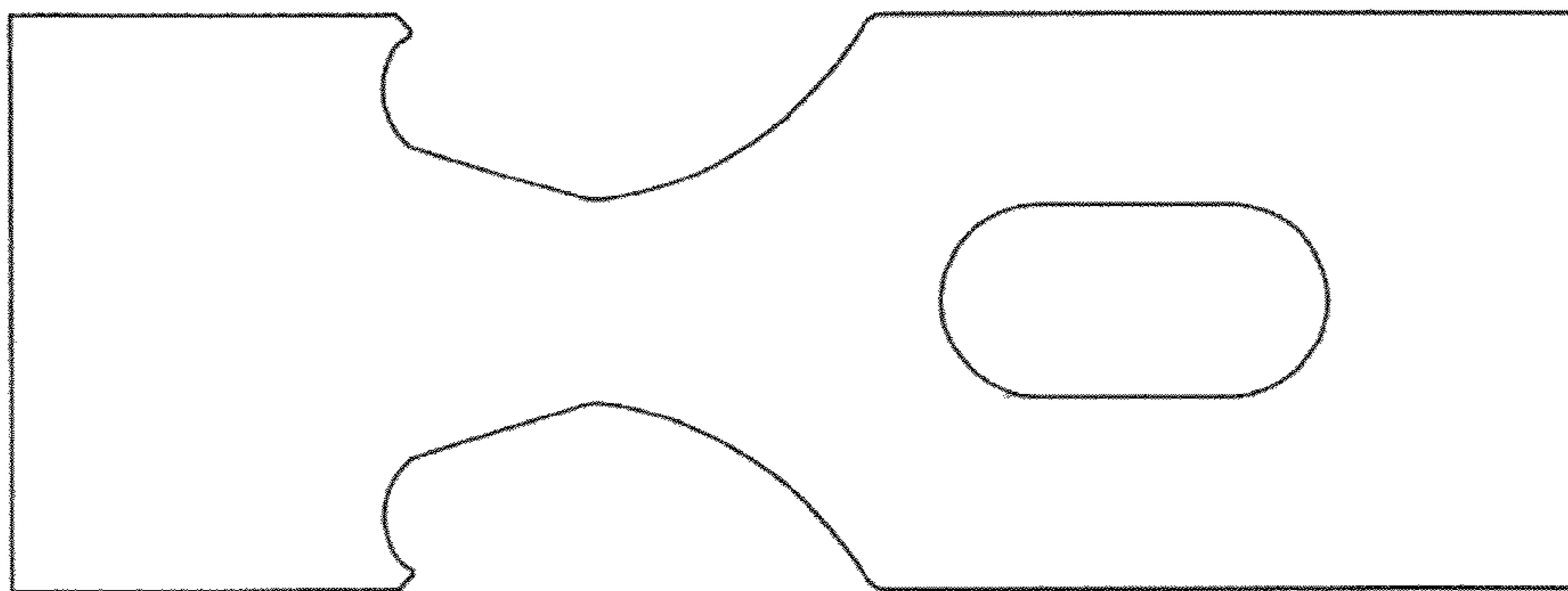


Fig. 5

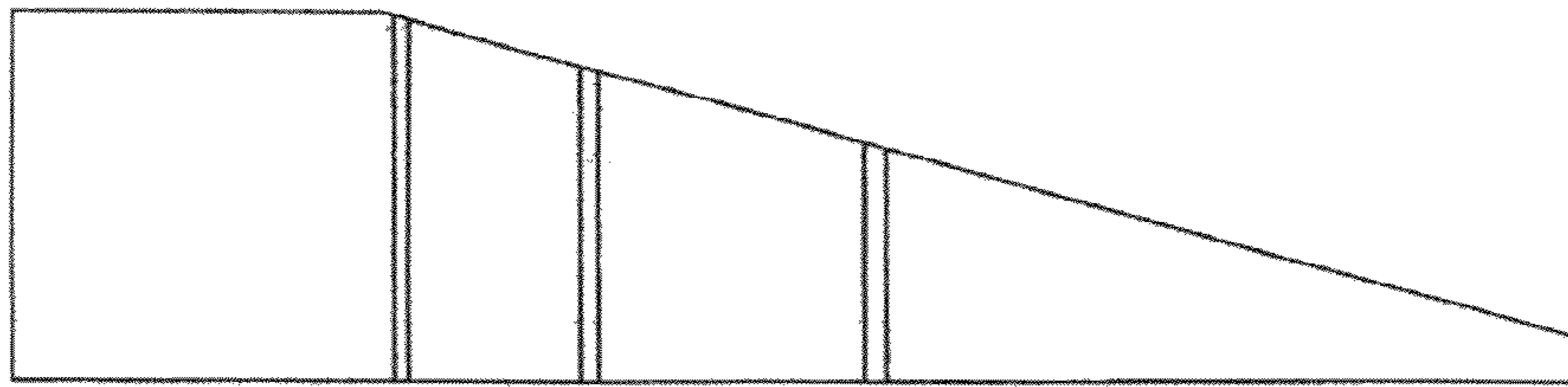


Fig. 6