



US00D731271S

(12) **United States Design Patent**
Su

(10) **Patent No.:** **US D731,271 S**
(45) **Date of Patent:** **** Jun. 9, 2015**

(54) **SOCKET**

(71) Applicant: **Hong Ann Tool Industries Co., Ltd.**,
Taichung (TW)

(72) Inventor: **Cheng-Wei Su**, Taichung (TW)

(73) Assignee: **Hong Ann Tool Industries Co., Ltd.**,
Taichung (TW)

(**) Term: **14 Years**

(21) Appl. No.: **29/454,997**

(22) Filed: **May 16, 2013**

(30) **Foreign Application Priority Data**

Jan. 17, 2013 (TW) 102300471

(51) **LOC (10) Cl.** **08-05**

(52) **U.S. Cl.**
USPC **D8/29**

(58) **Field of Classification Search**

USPC D8/29; 81/60, 177.1, 177.85, 121.1,
81/124.3, 165-170, 110.1, 176.2, 124.6,
81/176.1, 176.15, 177.2; 16/110.1

See application file for complete search history.

(56) **References Cited**

U.S. PATENT DOCUMENTS

1,392,220 A * 9/1921 Quint 81/177.75
D359,669 S * 6/1995 Spingaire D8/29

D425,385 S * 5/2000 Jarvis D8/29
D493,081 S * 7/2004 Chen D8/29
D636,650 S * 4/2011 Laurie D8/29
D659,730 S * 5/2012 Cantlon D15/140
8,176,817 B2 * 5/2012 Liu 81/177.75
8,342,061 B2 * 1/2013 Super 81/177.85

* cited by examiner

Primary Examiner — Randall Gholson

(74) *Attorney, Agent, or Firm* — Alan D. Kamrath; Kamrath
IP Lawfirm, P.A.

(57) **CLAIM**

The ornamental design for a socket, as shown and described.

DESCRIPTION

FIG. 1 is top side perspective view of my new design for a
socket;

FIG. 2 is a bottom side perspective view thereof;

FIG. 3 is front side view thereof; the back side view being a
mirror image thereof;

FIG. 4 is a right side view thereof, the left side view being a
mirror image thereof;

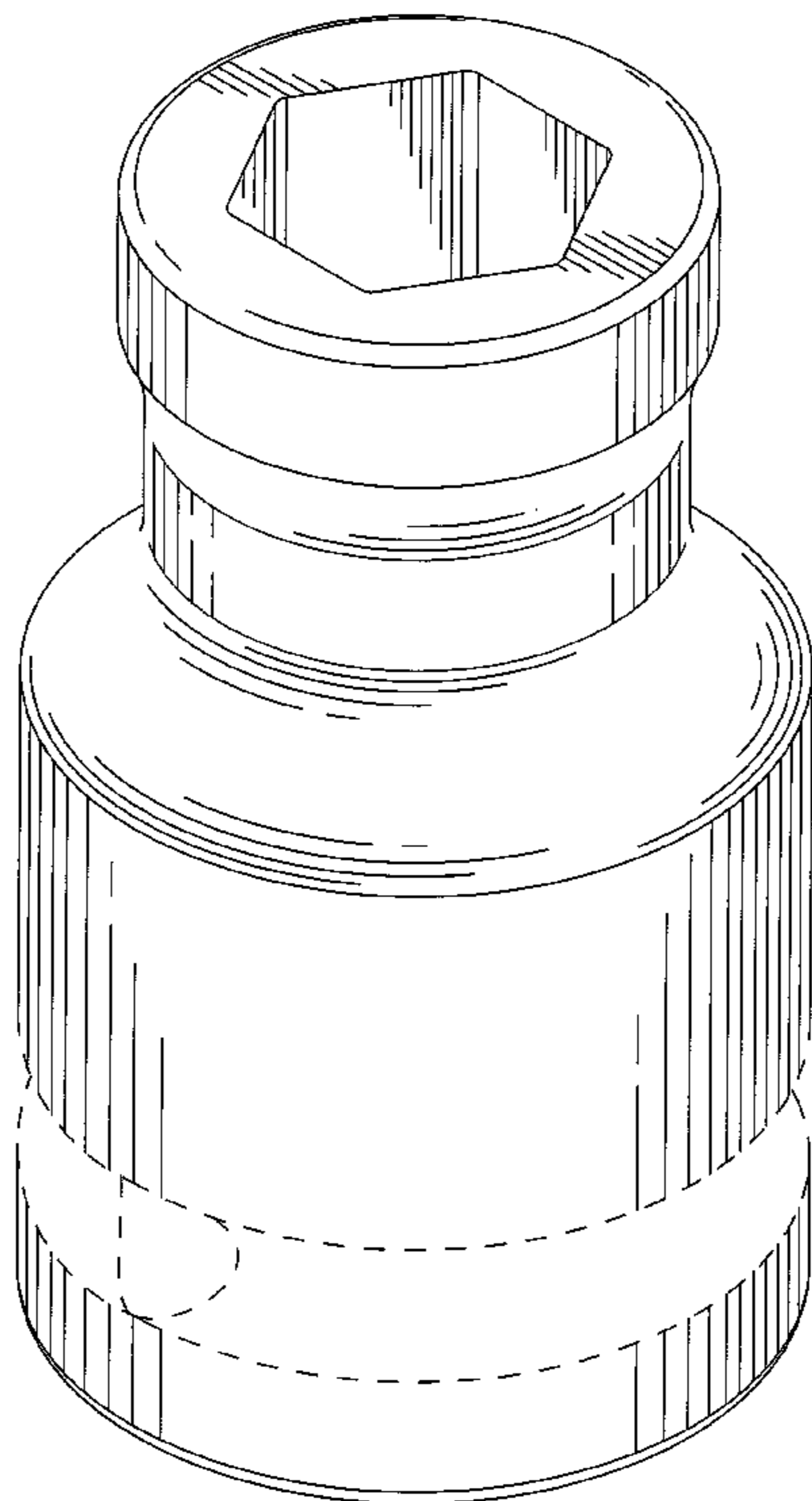
FIG. 5 is a top side view thereof;

FIG. 6 is a bottom side view thereof; and,

FIG. 7 is a top side perspective view thereof showing the
utilization of the socket.

The broken lines shown on the design depict portions of the
socket that forms no part of the claimed design. The broken
lines not a part of the design shown in FIG. 7 depict environ-
mental subject matter only and likewise form no part of the
claimed design.

1 Claim, 7 Drawing Sheets



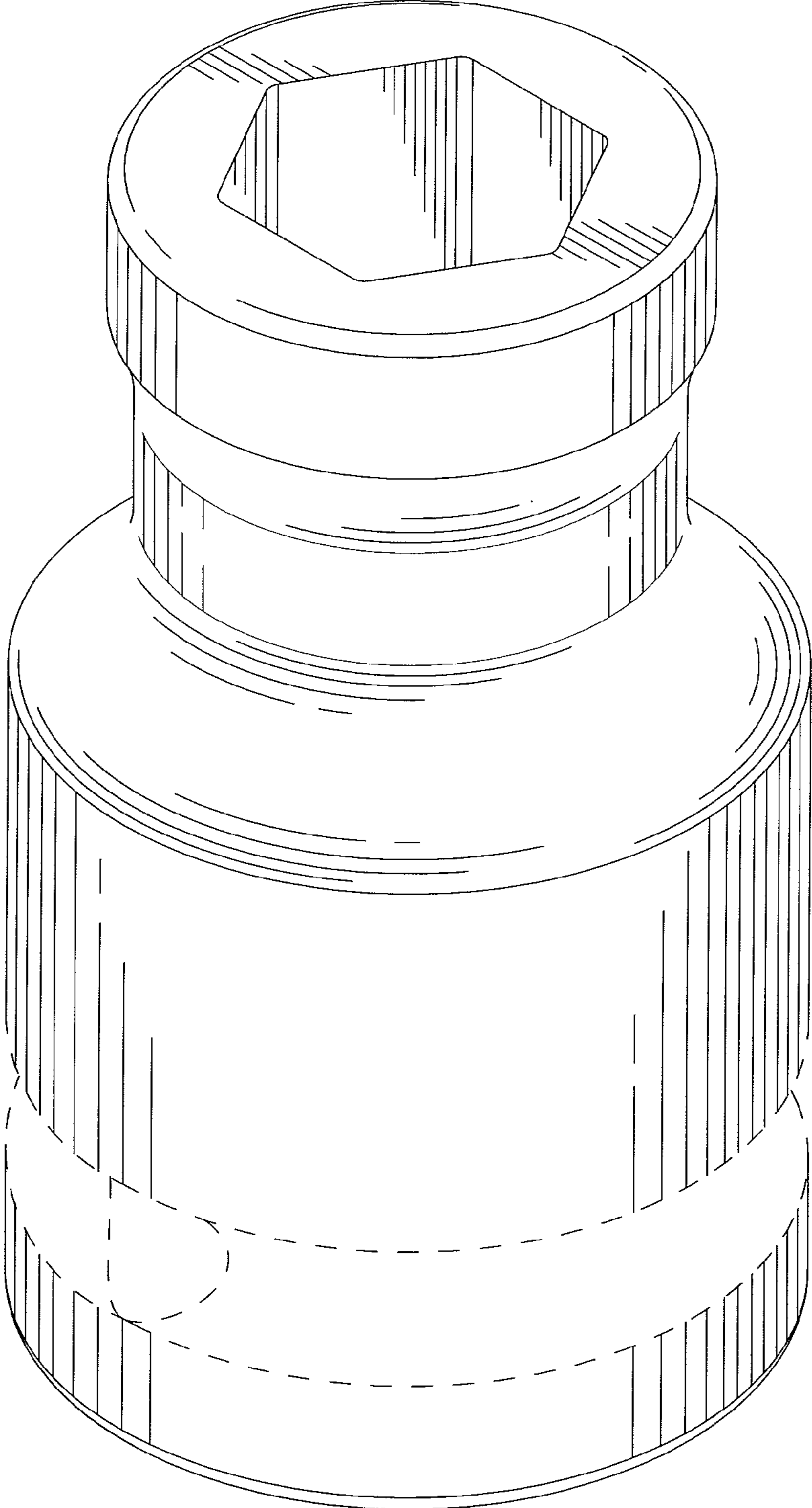


FIG.1

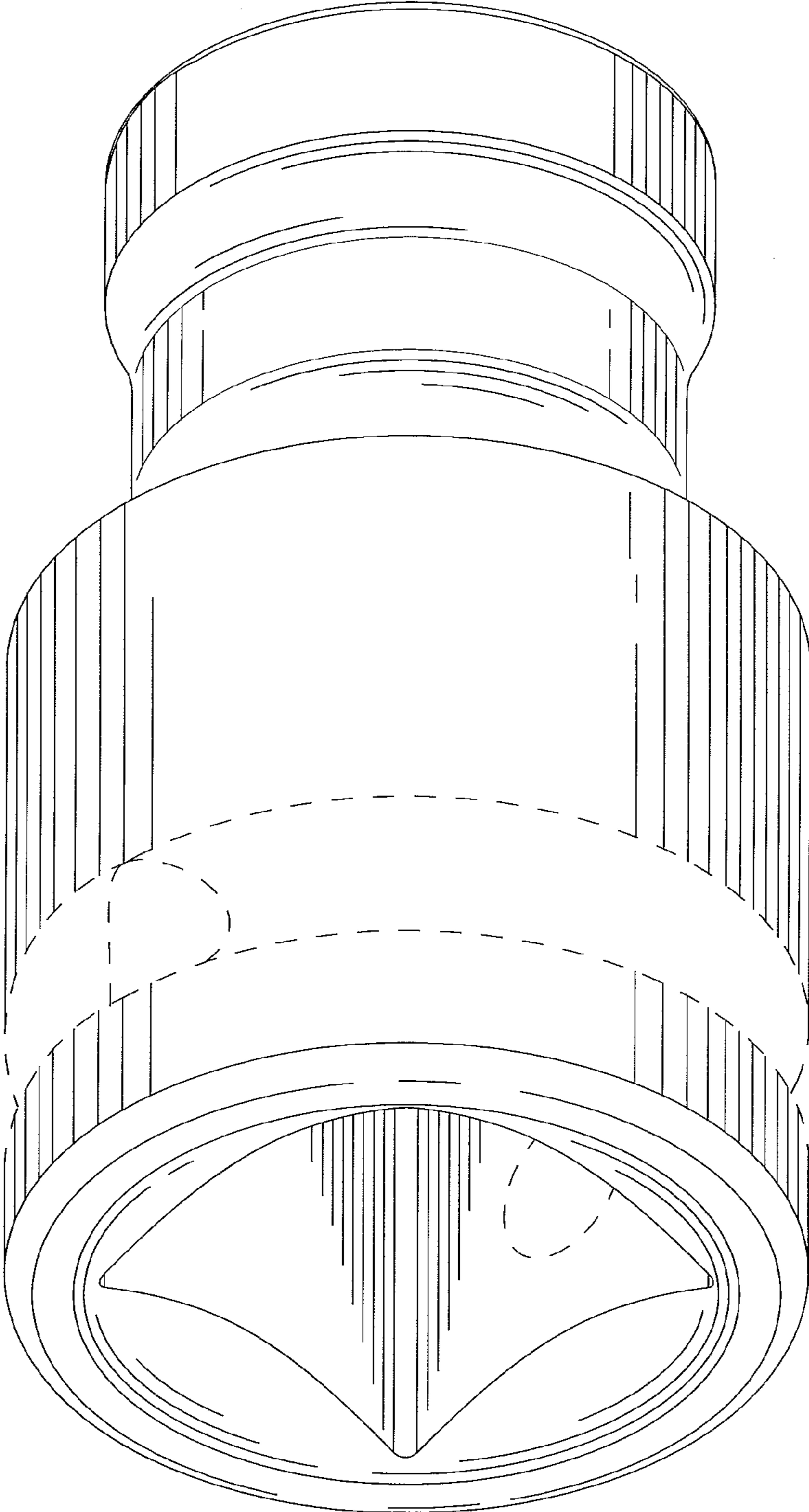


FIG. 2

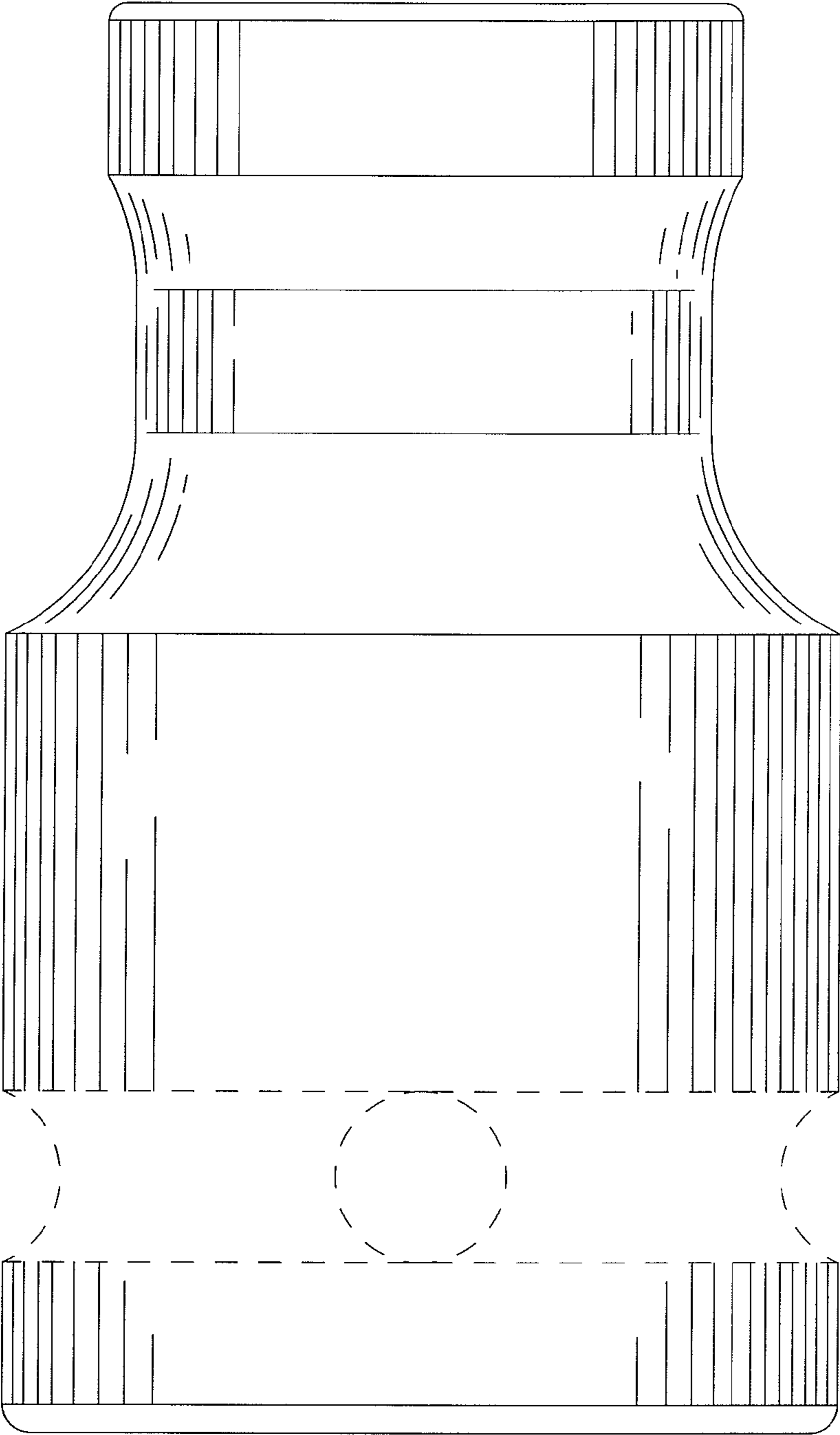


FIG. 3

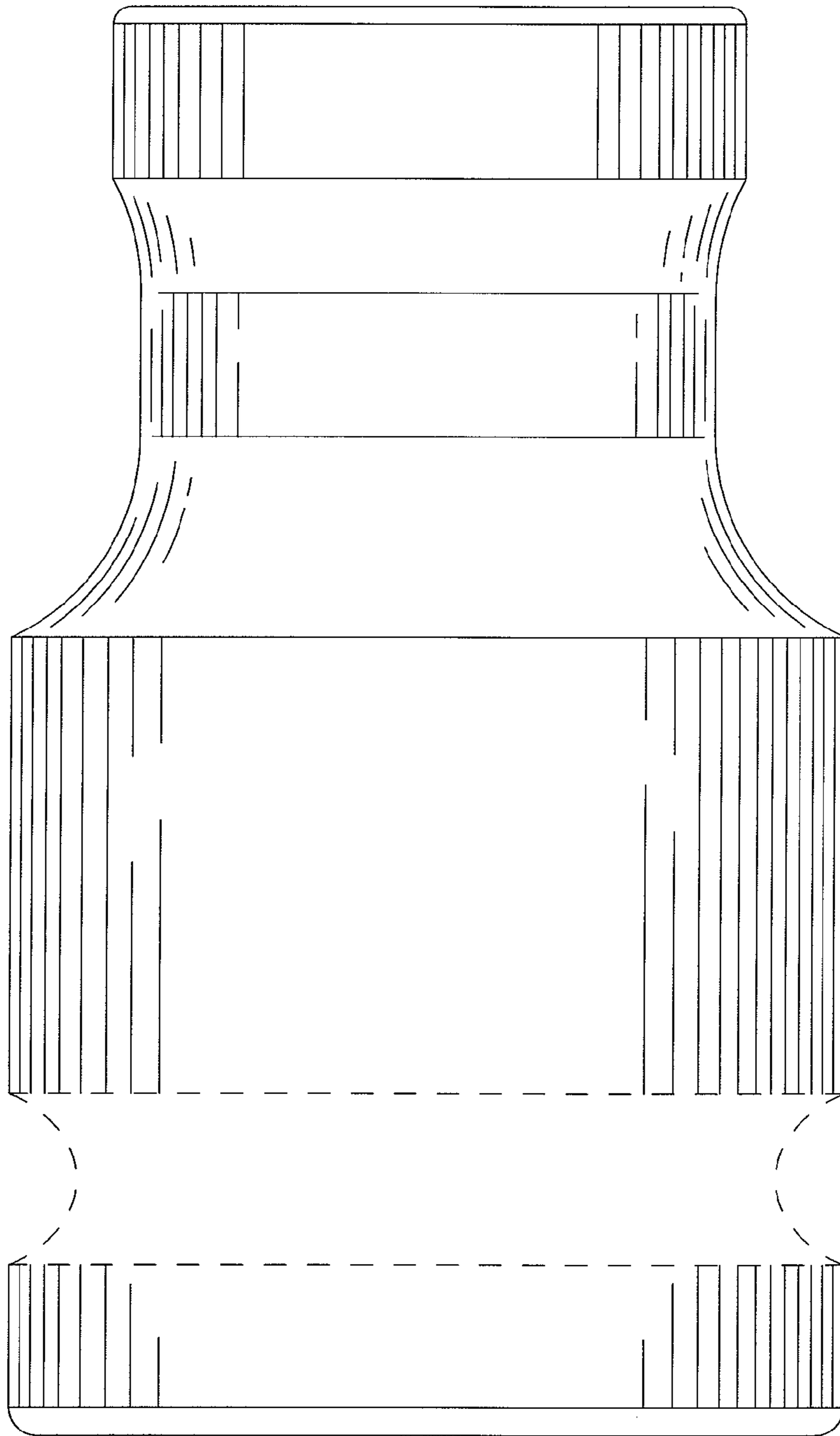


FIG. 4

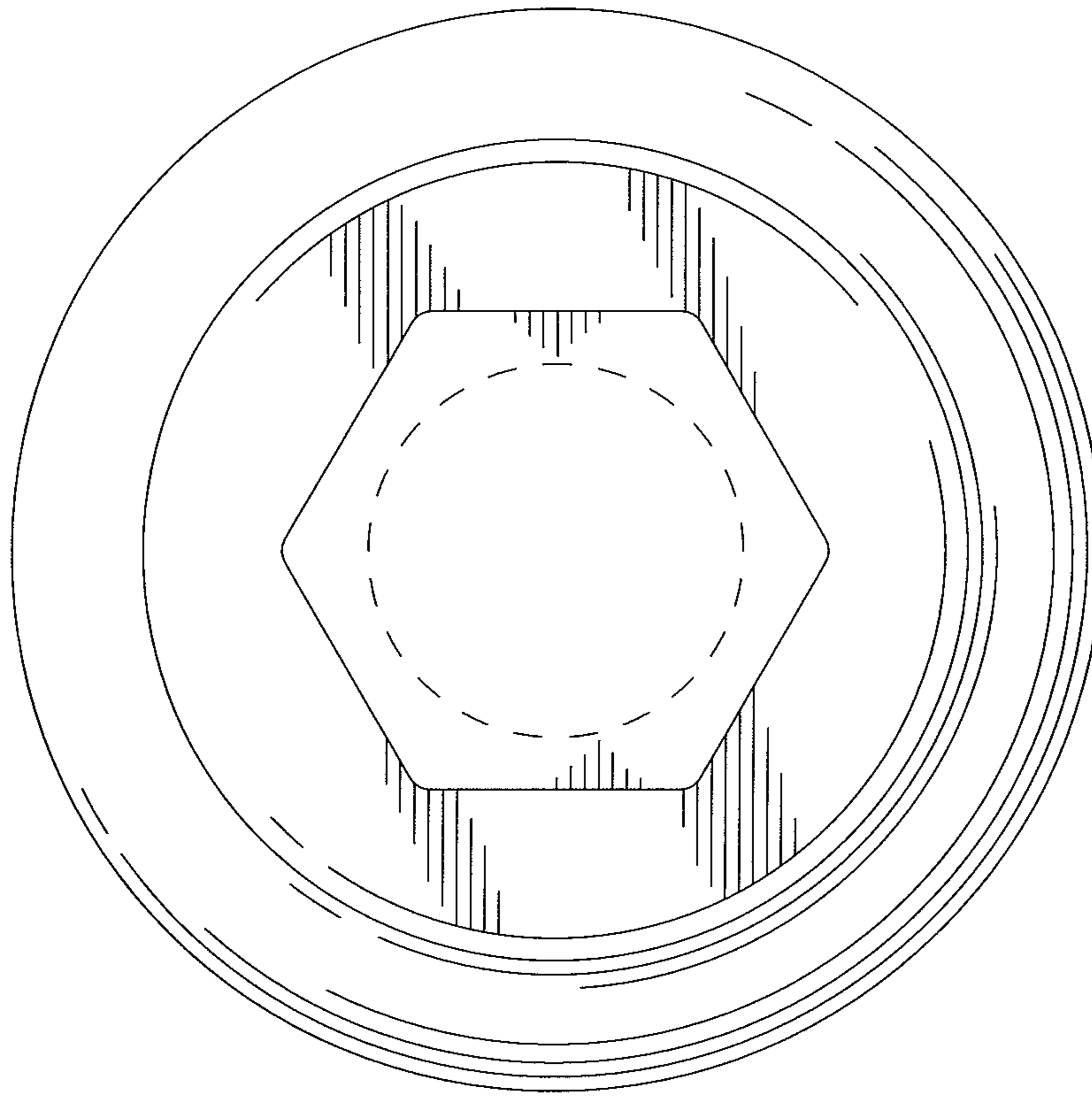


FIG. 5

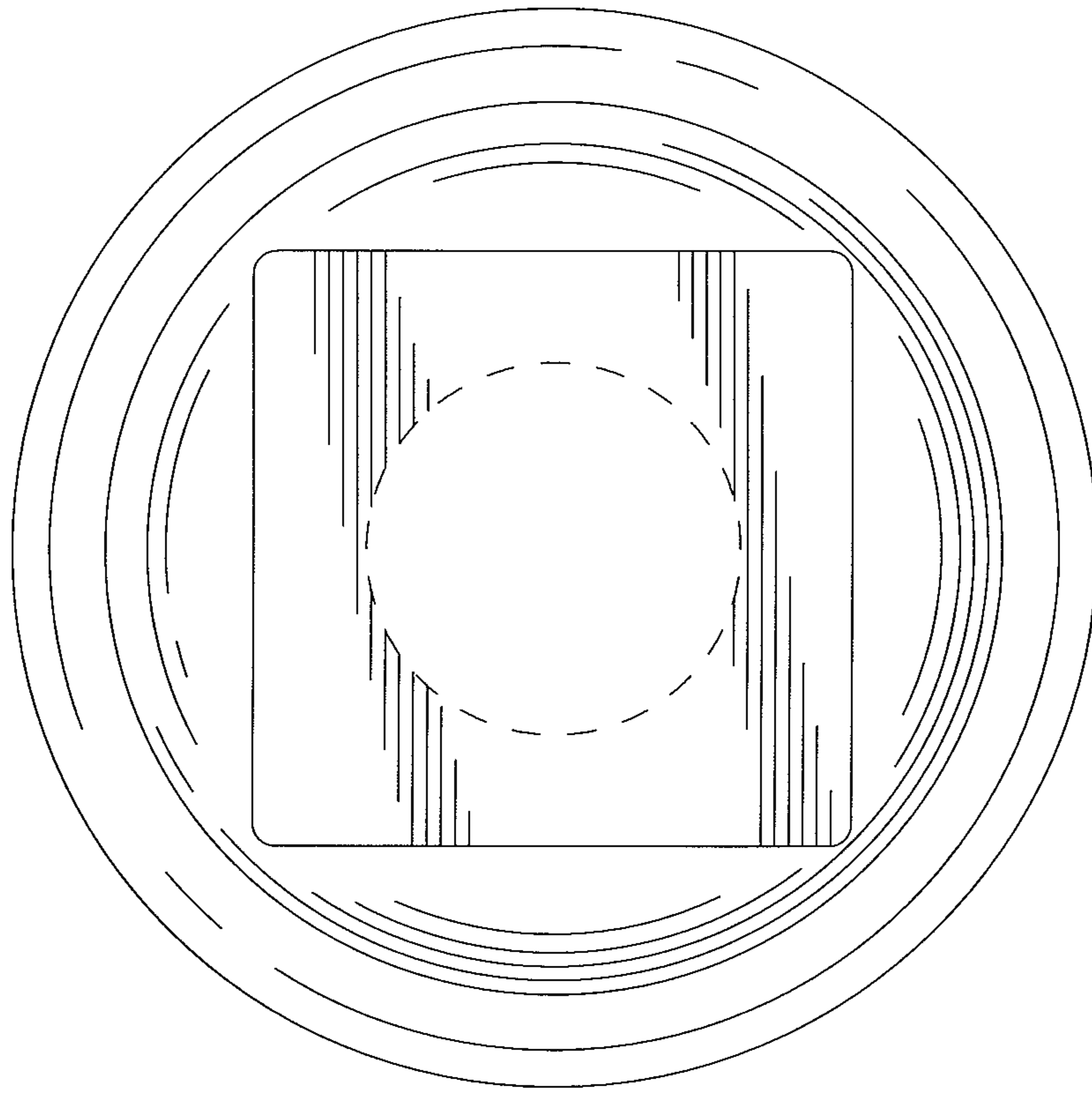


FIG. 6

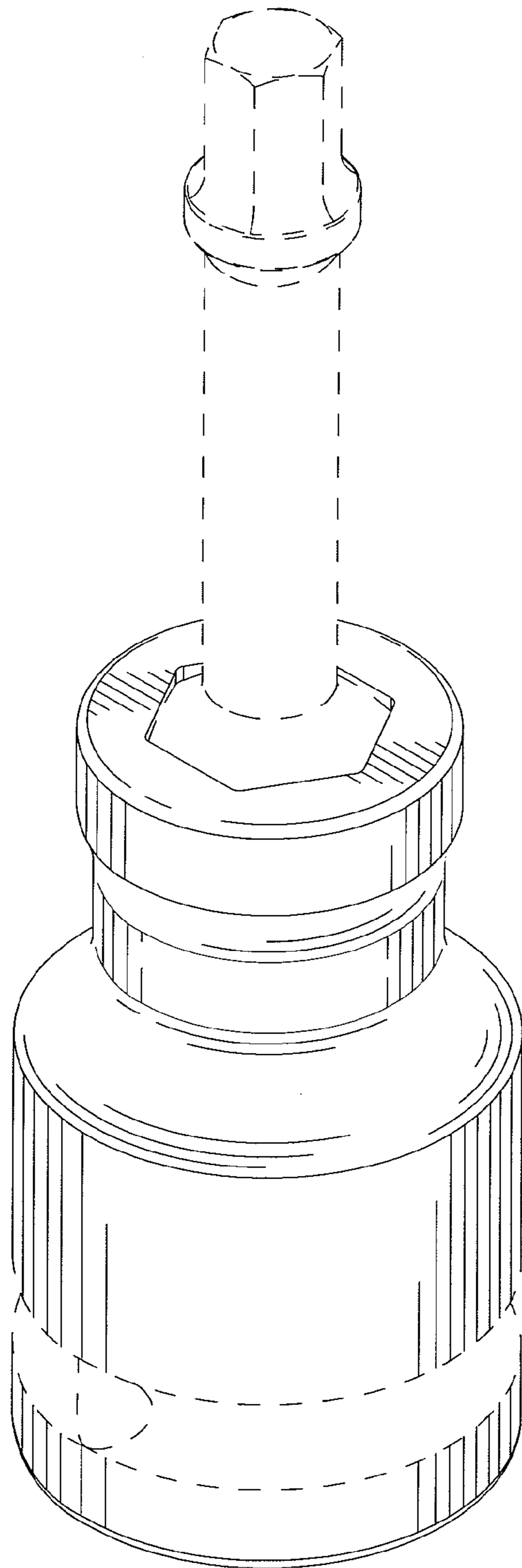


FIG.7