



US00D731268S

(12) **United States Design Patent**
Aglassinger

(10) **Patent No.:** **US D731,268 S**
(45) **Date of Patent:** **** Jun. 9, 2015**

(54) **BRUSH CUTTER**

(71) Applicant: **Robert Bosch GmbH**, Stuttgart (DE)

(72) Inventor: **Hans-Peter Aglassinger**, Esslingen (DE)

(73) Assignee: **Robert Bosch GmbH**, Stuttgart (DE)

(**) Term: **14 Years**

(21) Appl. No.: **29/491,101**

(22) Filed: **May 16, 2014**

(30) **Foreign Application Priority Data**

Nov. 18, 2013 (EM) 002347252

(51) **LOC (10) Cl.** **08-01**

(52) **U.S. Cl.**
USPC **D8/8**

(58) **Field of Classification Search**

USPC D8/7-9; D15/17; 30/276, 208-210,
30/347, 228, 382-383; 56/12.7, 233-234
CPC .. A01D 34/416; A01D 34/4166; A01D 34/84
See application file for complete search history.

(56) **References Cited**

U.S. PATENT DOCUMENTS

D342,425 S * 12/1993 Watanabe et al. D8/8
D355,817 S * 2/1995 Nakadachi D8/8
5,493,784 A * 2/1996 Aiyama 30/276
5,901,448 A * 5/1999 Lingerfelt 30/276
6,065,214 A * 5/2000 Nagashima 30/276
D600,515 S * 9/2009 Tinius D8/8

D609,067 S * 2/2010 Tinius D8/8
D648,194 S * 11/2011 Tinius D8/8
8,098,036 B2 * 1/2012 Matsunaga et al. 318/446
D691,865 S * 10/2013 Wang D8/8
8,549,758 B2 * 10/2013 Ito et al. 30/276
D711,203 S * 8/2014 Tinius D8/8

* cited by examiner

Primary Examiner — Sheryl Lane

(74) *Attorney, Agent, or Firm* — Maginot, Moore & Beck LLP

(57) **CLAIM**

The ornamental design for a brush cutter, as shown and described.

DESCRIPTION

FIG. 1 is a perspective view of a brush cutter showing my new design;

FIG. 2 is a front elevational view showing the design for the brush cutter of FIG. 1;

FIG. 3 is a rear elevational view showing the design for the brush cutter of FIG. 1;

FIG. 4 is a left side elevational view showing the design for the brush cutter of FIG. 1;

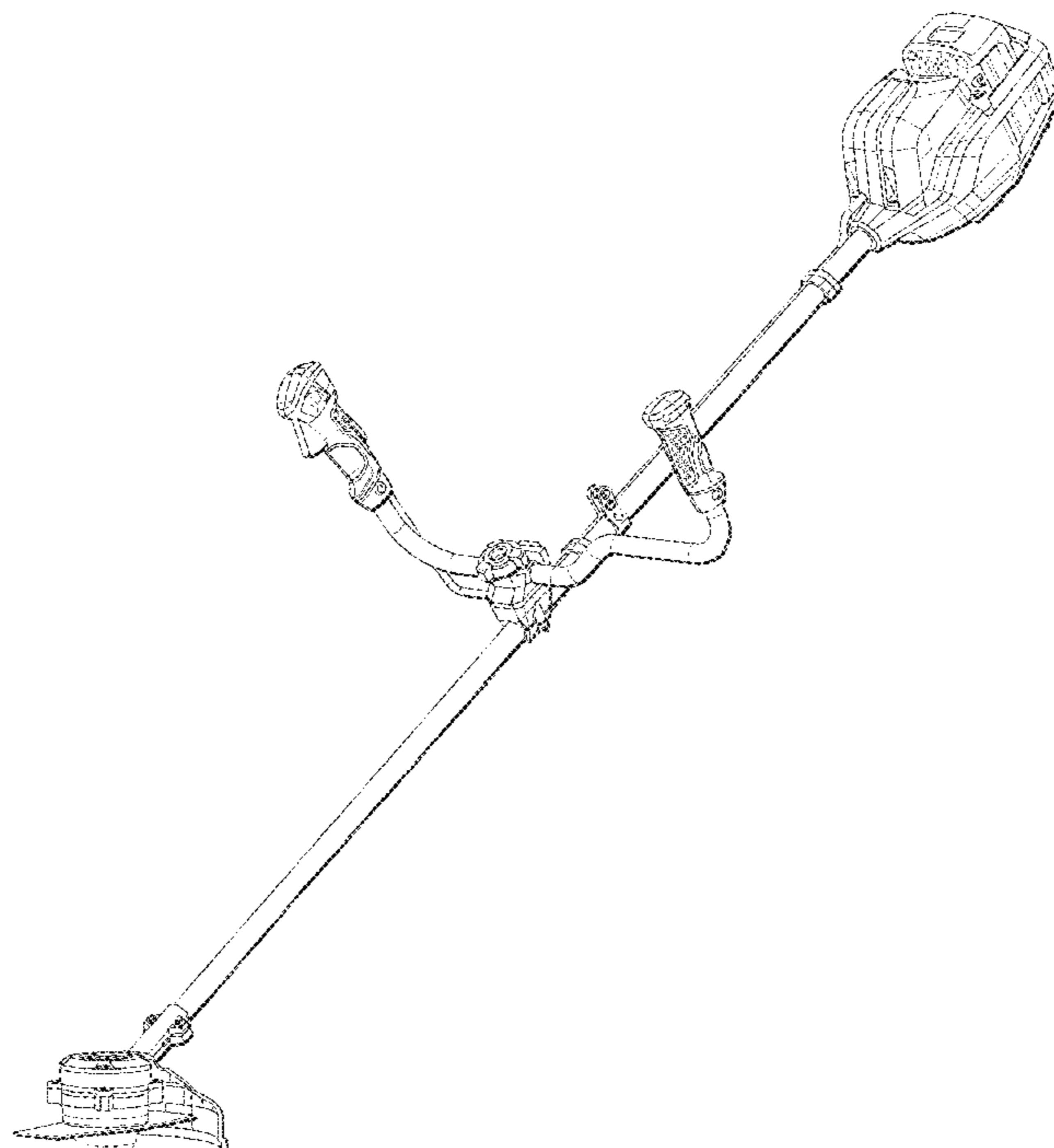
FIG. 5 is a right side elevational view showing the design for the brush cutter of FIG. 1;

FIG. 6 is a top plan view showing the design for the brush cutter of FIG. 1; and,

FIG. 7 is a bottom plan view showing the design for the brush cutter of FIG. 1.

The broken lines shown in the drawings illustrate portions of the brush cutter and form no part of the claimed design.

1 Claim, 7 Drawing Sheets



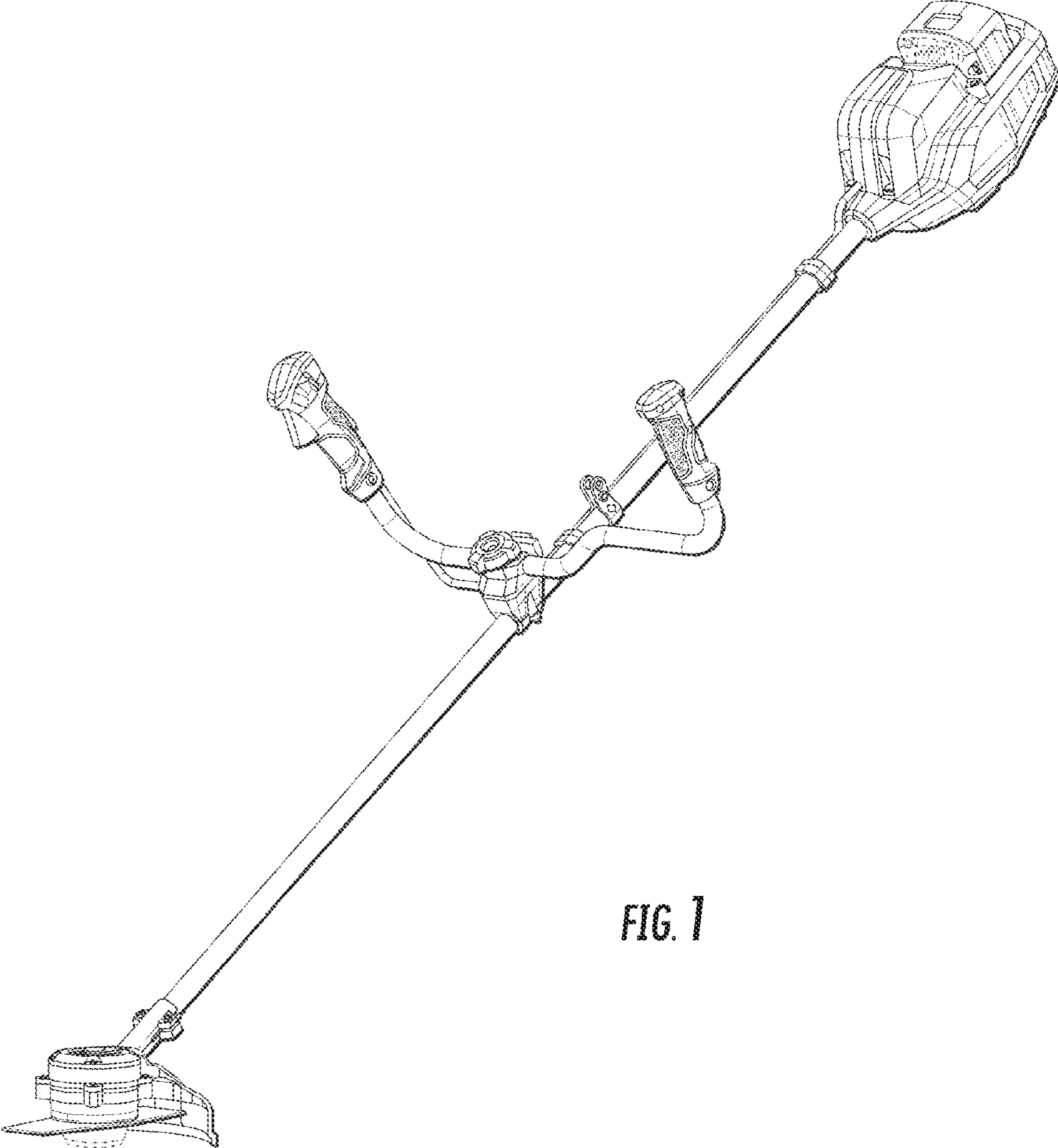


FIG. 1

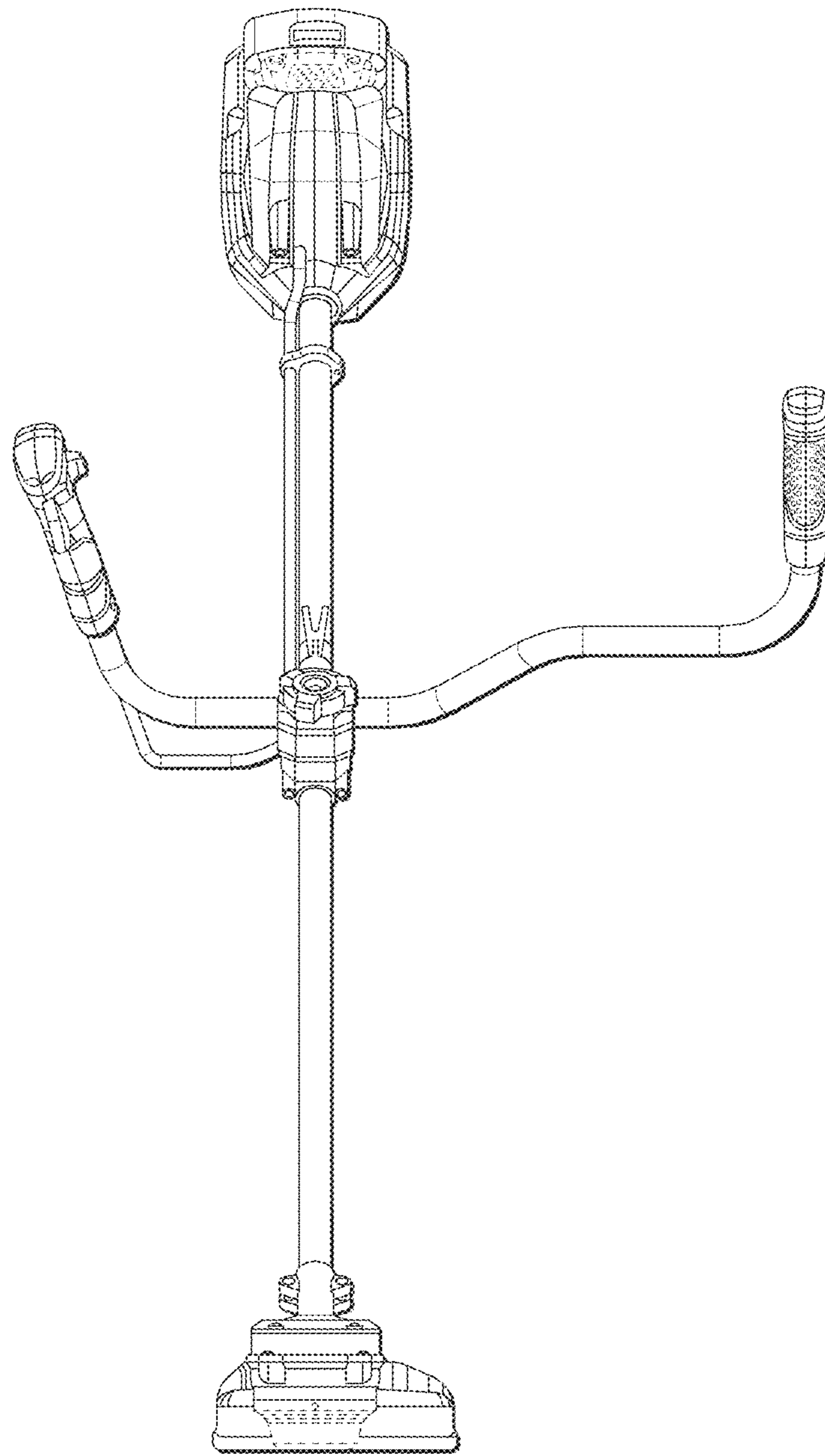


FIG. 2

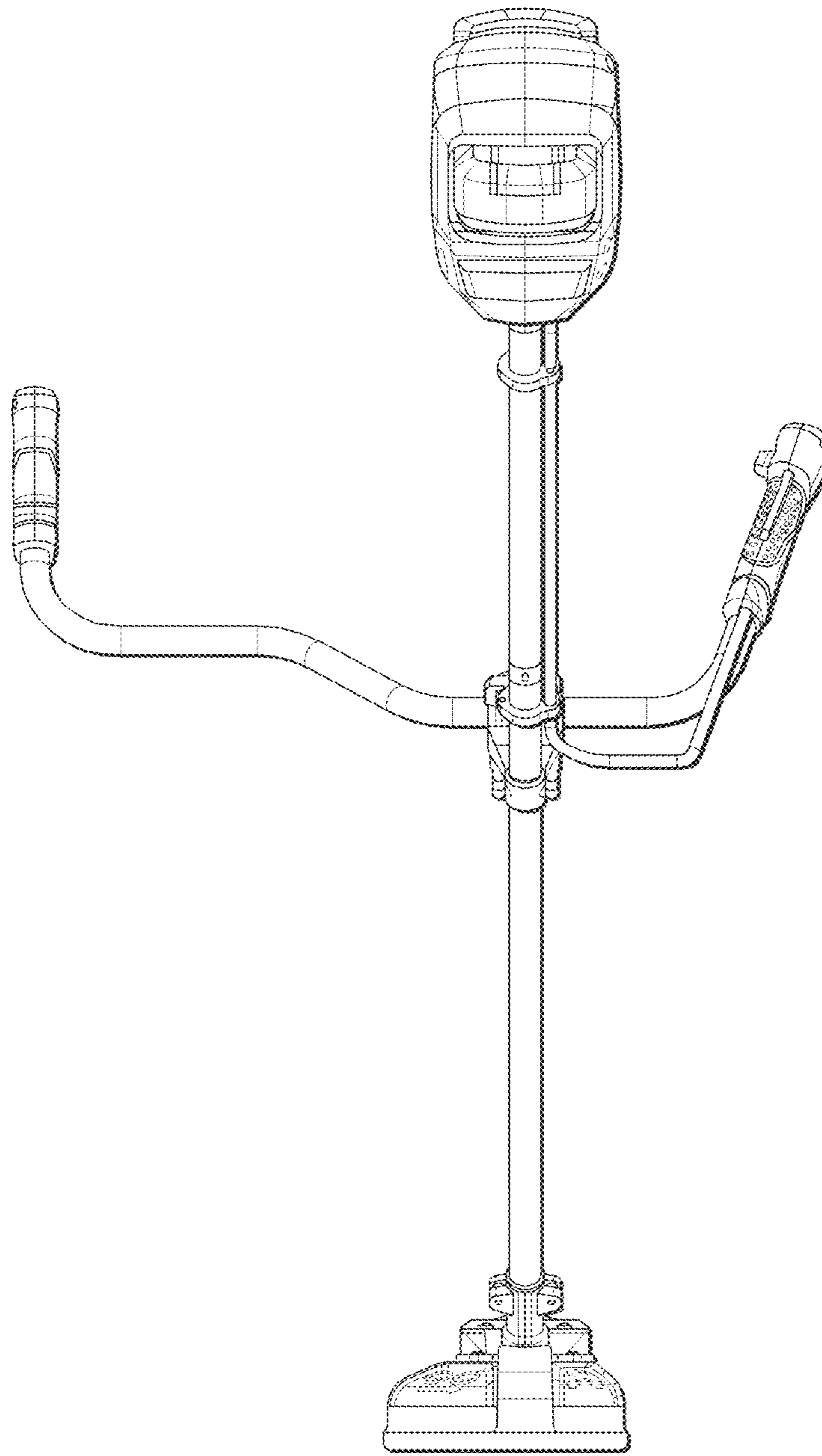


FIG. 3

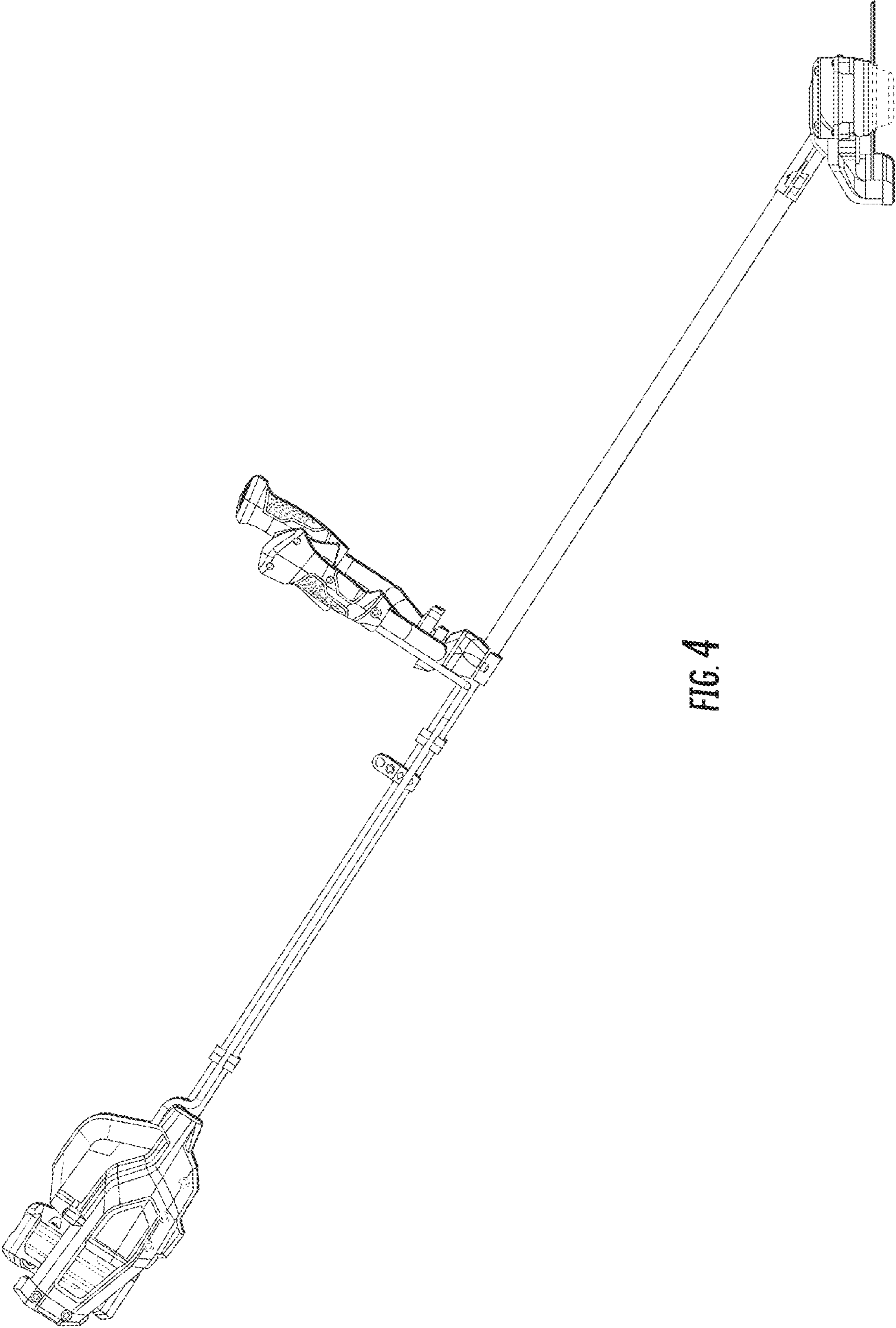


FIG. 4

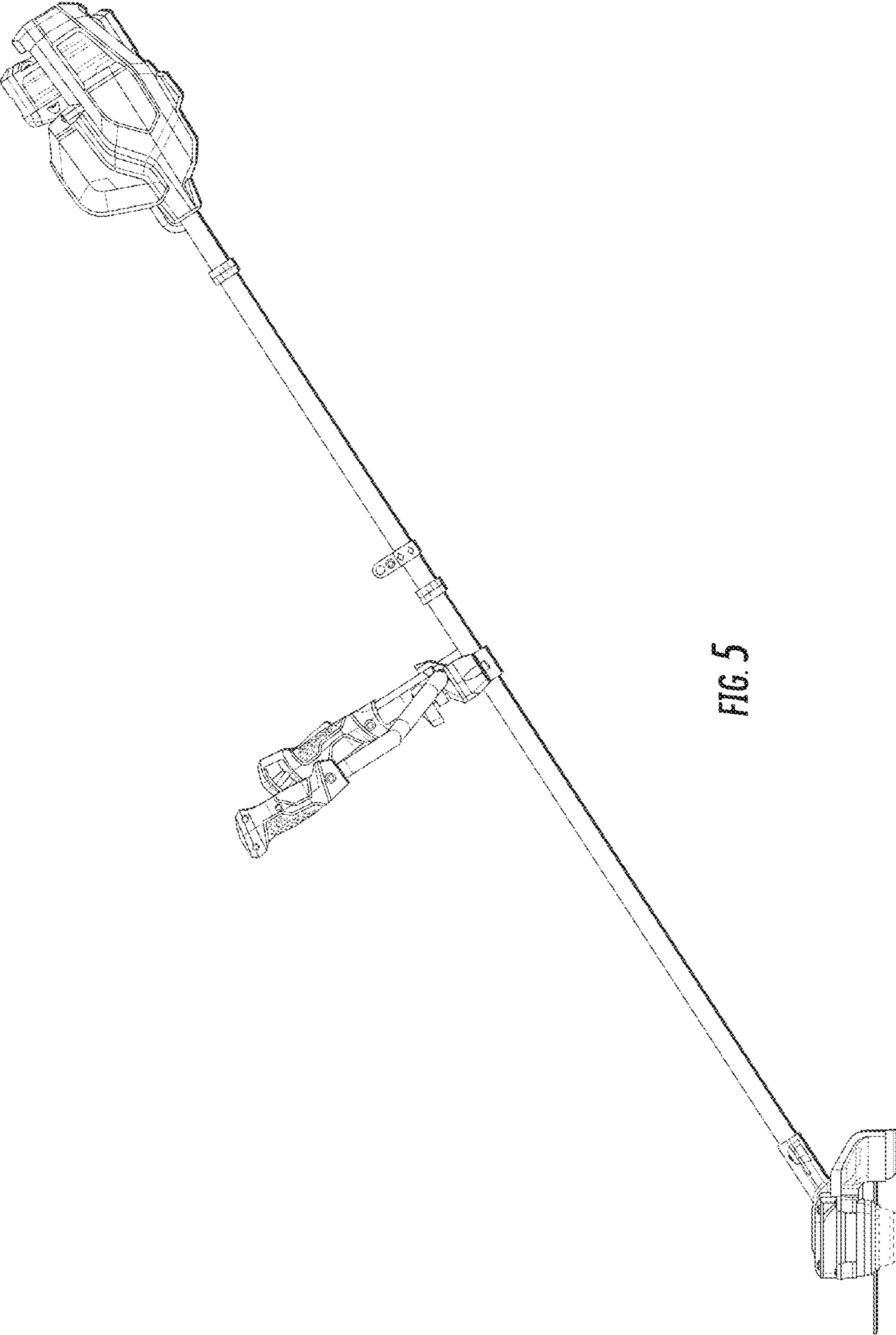


FIG. 5

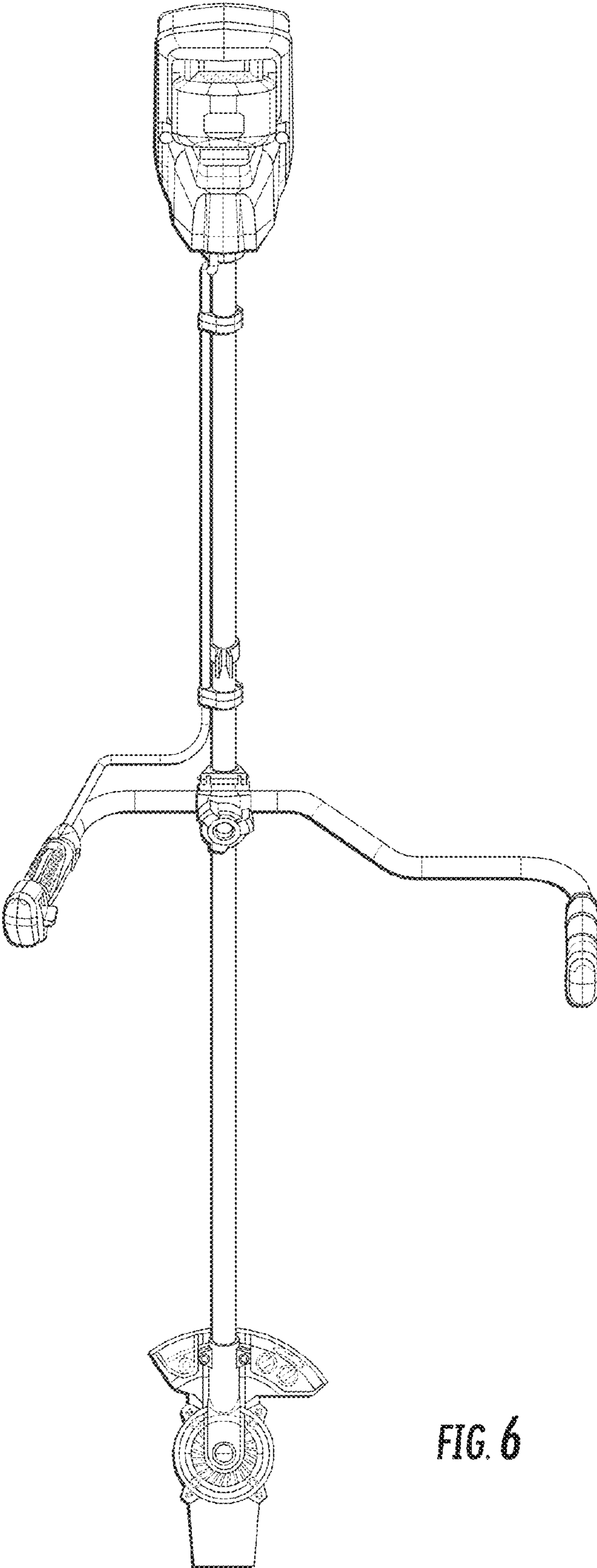


FIG. 6

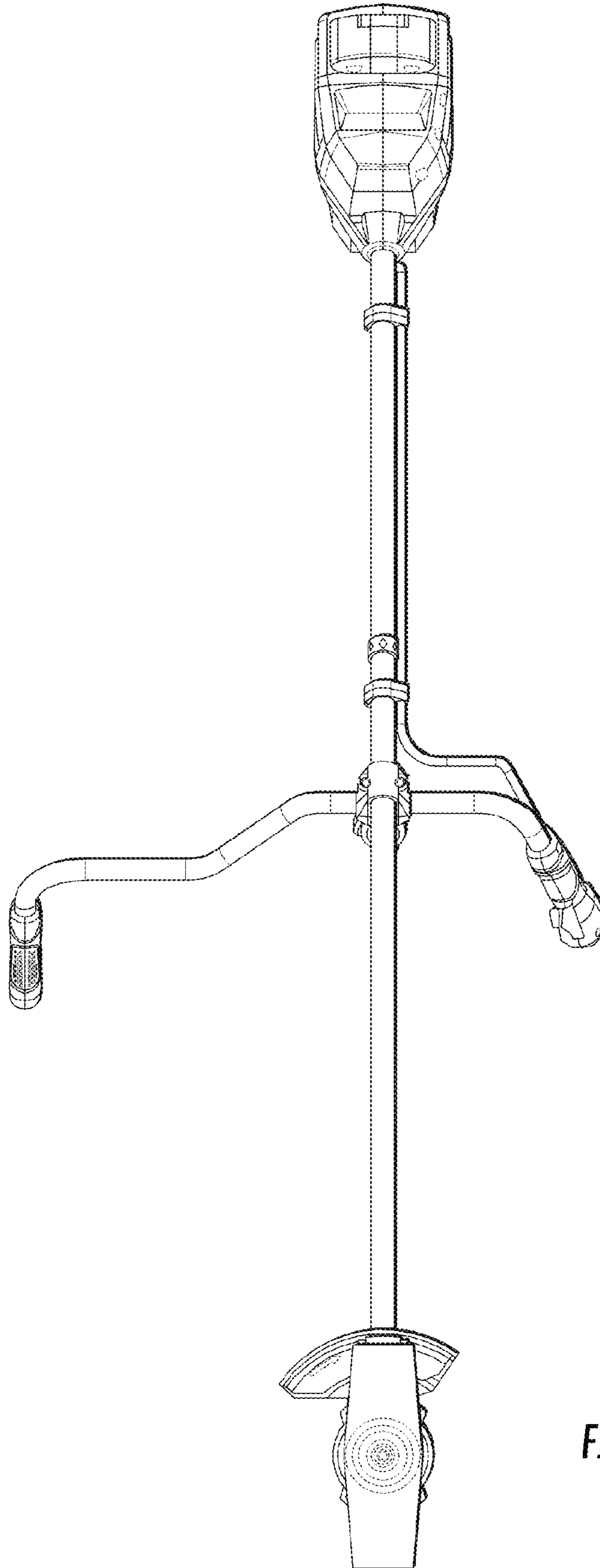


FIG. 7