



US00D731267S

(12) **United States Design Patent**  
**Shen et al.**

(10) **Patent No.:** **US D731,267 S**  
(45) **Date of Patent:** **\*\* Jun. 9, 2015**

(54) **GRASS TRIMMER**

(75) Inventors: **Feng Shen**, Suzhou (CN); **Andrea Cestonaro**, Schio (IT)

(73) Assignee: **Positec Power Tools (Suzhou) Co. Ltd.**, Jiangsu Province (CN)

(\*\*) Term: **14 Years**

(21) Appl. No.: **29/426,268**

(22) Filed: **Jul. 2, 2012**

(30) **Foreign Application Priority Data**

Dec. 30, 2011 (CN) ..... 2011 3 0507158  
Jan. 20, 2012 (CN) ..... 2012 3 0017026  
Jan. 20, 2012 (CN) ..... 2012 3 0017027

(51) **LOC (10) Cl.** ..... **08-01**

(52) **U.S. Cl.**  
USPC ..... **D8/8**

(58) **Field of Classification Search**  
USPC ..... D8/7-9; D15/17; 30/276, 208-210,  
30/347, 228, 382-383; 56/12.7, 233-234  
CPC .. A01D 34/416; A01D 34/4166; A01D 34/84  
See application file for complete search history.

(56) **References Cited**

**U.S. PATENT DOCUMENTS**

D317,852 S \* 7/1991 Fujiwara et al. .... D8/8  
D530,163 S \* 10/2006 Xue-Feng ..... D8/8

D625,972 S \* 10/2010 Sweeney ..... D8/8  
D668,516 S \* 10/2012 Landberg ..... D8/8  
D668,517 S \* 10/2012 Landberg ..... D8/8  
D675,074 S \* 1/2013 Baxter ..... D8/8  
8,764,466 B2 \* 7/2014 Million ..... 439/172

\* cited by examiner

*Primary Examiner* — Sheryl Lane

(57) **CLAIM**

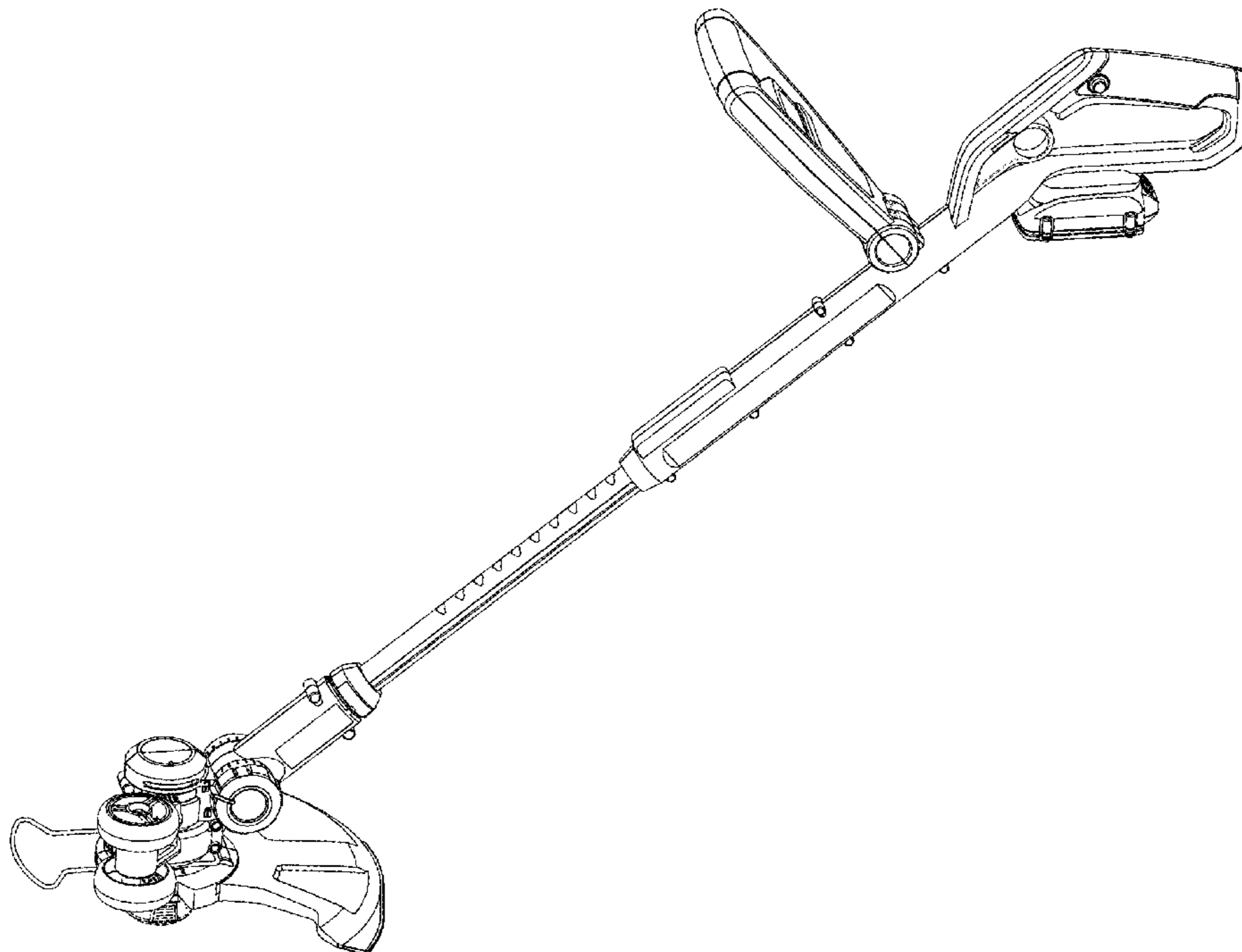
We claim, the ornamental design for a grass trimmer, as shown and described.

**DESCRIPTION**

FIG. 1 is a front elevational view of the grass trimmer showing our new design;  
FIG. 2 is a rear elevational view thereof;  
FIG. 3 is a left side elevational view thereof;  
FIG. 4 is a right side elevational view thereof;  
FIG. 5 is a top plan view thereof;  
FIG. 6 is a bottom plan view thereof;  
FIG. 7 is a top, front, and left side perspective view thereof;  
FIG. 8 is a left side perspective view thereof in an alternate position showing a downward rotation of a handle of the grass trimmer; and,  
FIG. 9 is a top perspective view of the grass trimmer shown in FIG. 8 in an alternate position showing a right rotation of the handle.

The broken lines represent portions of the article and form no part of the claimed design.

**1 Claim, 7 Drawing Sheets**



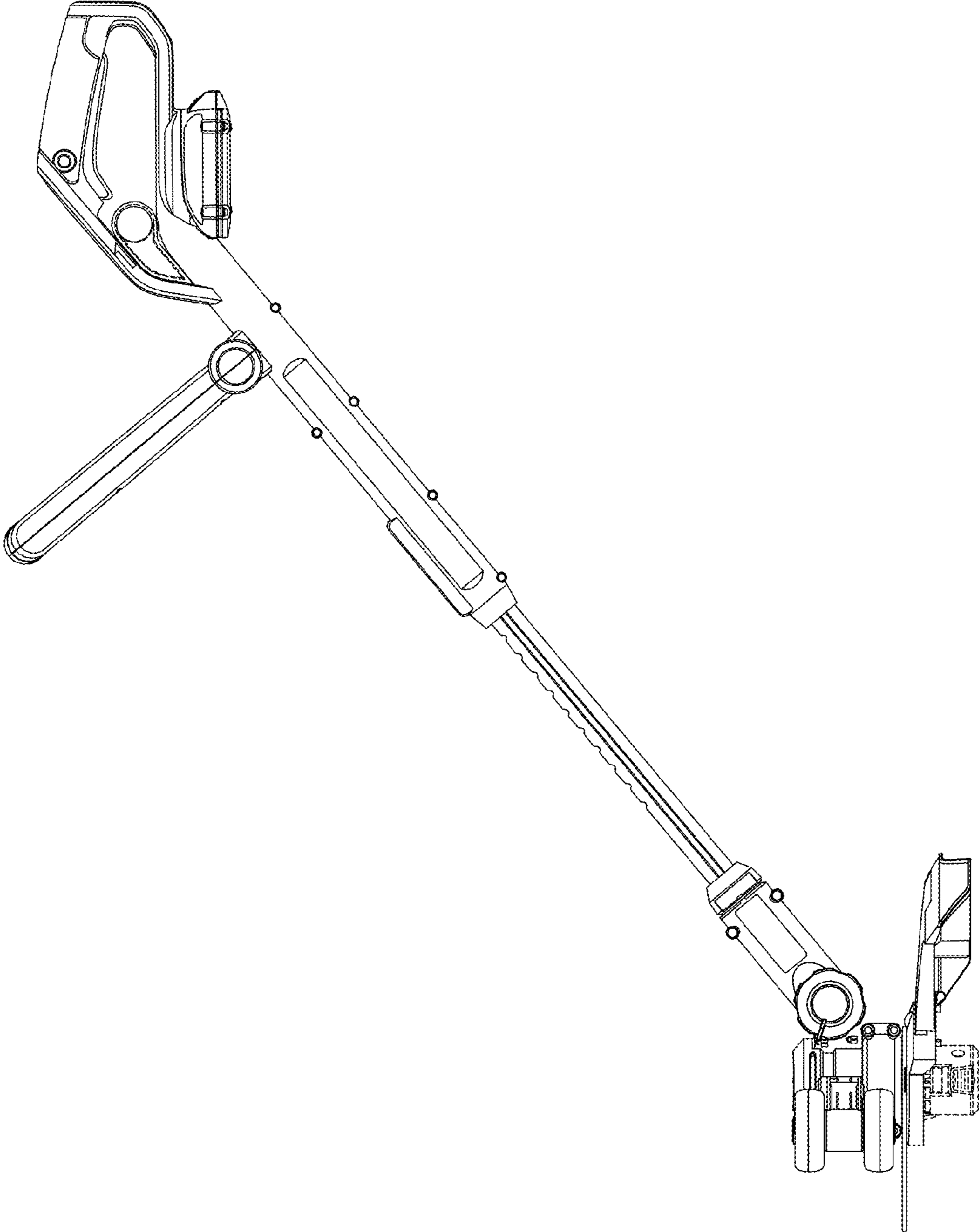


FIGURE 1

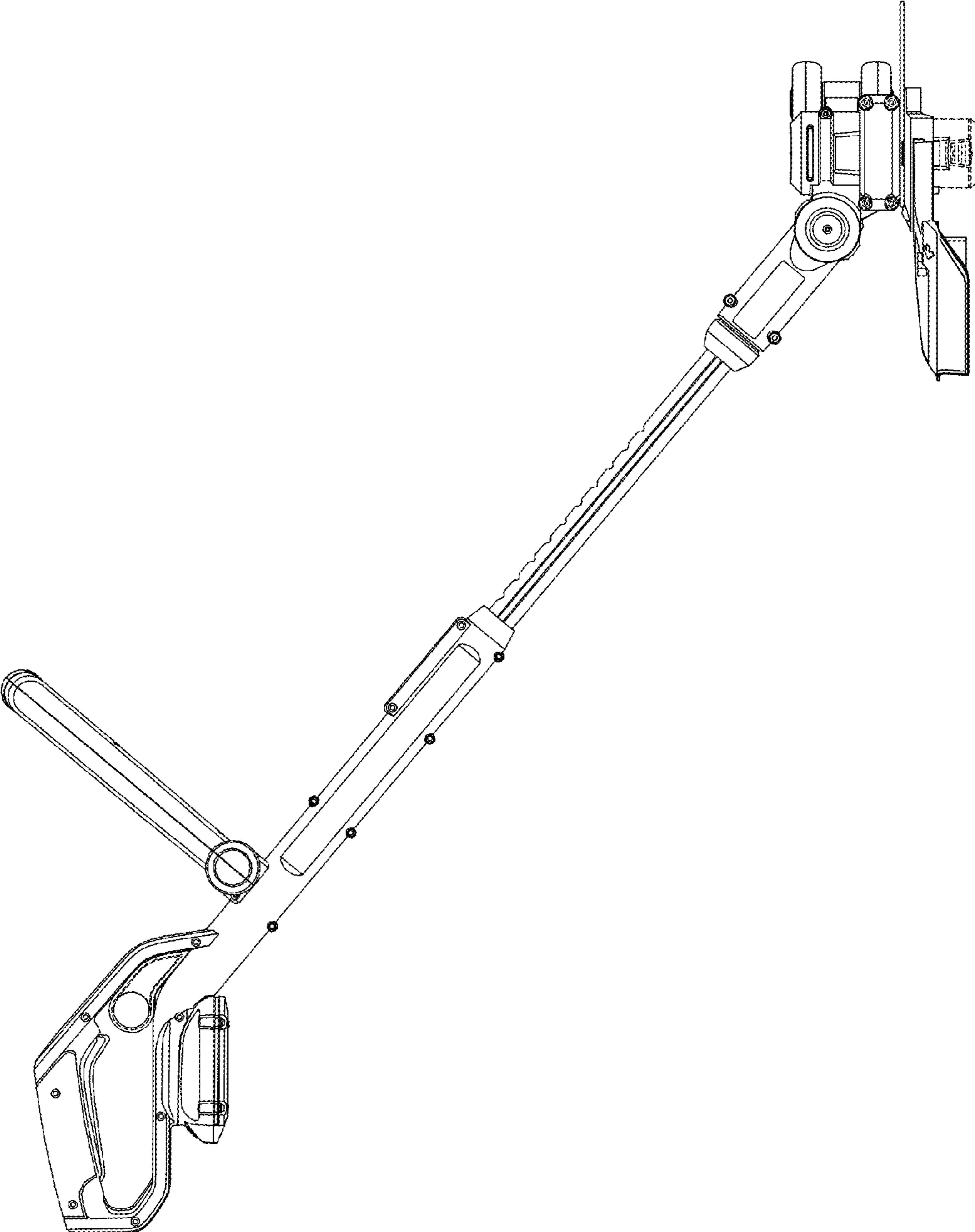


FIGURE 2

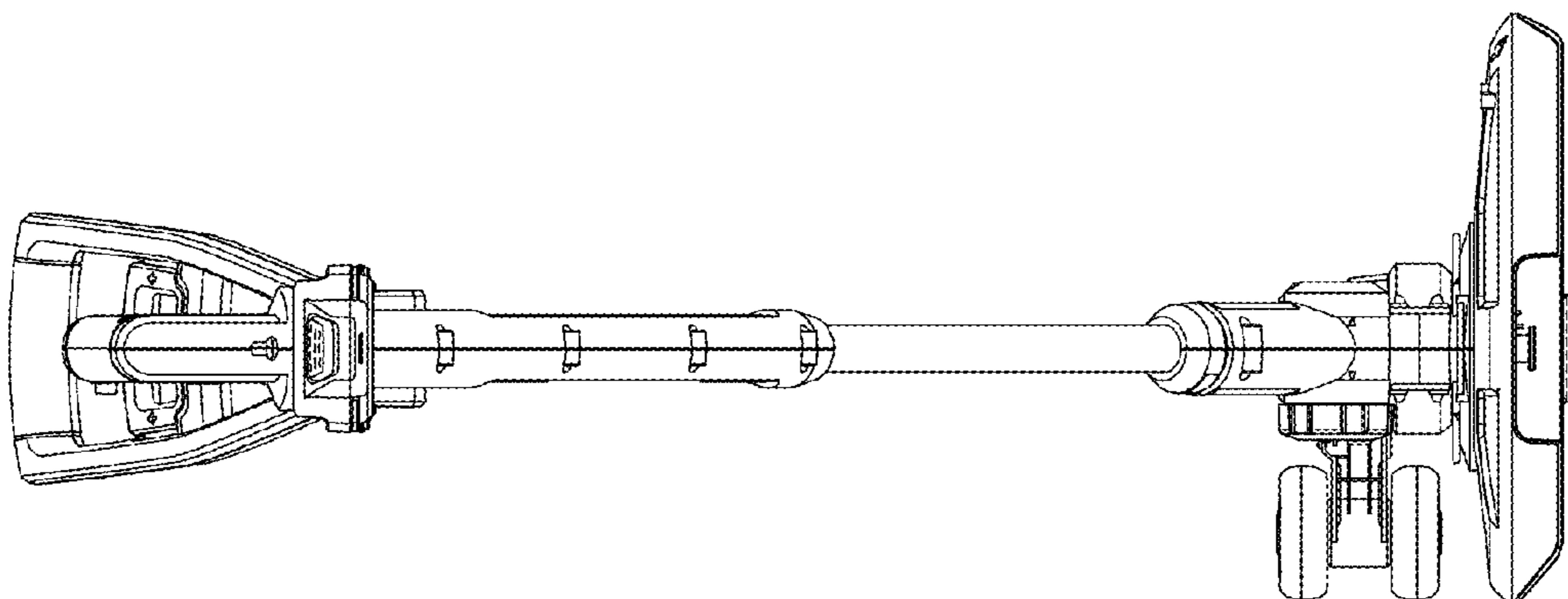


FIGURE 4

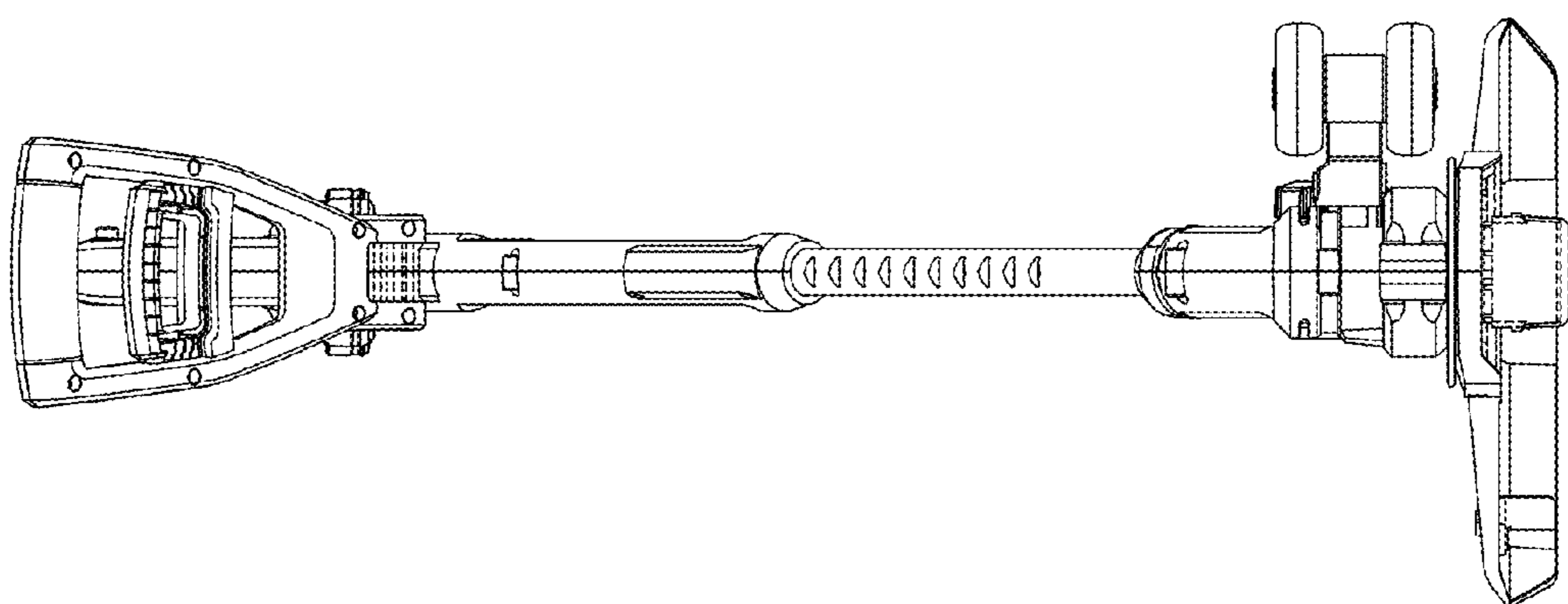


FIGURE 3

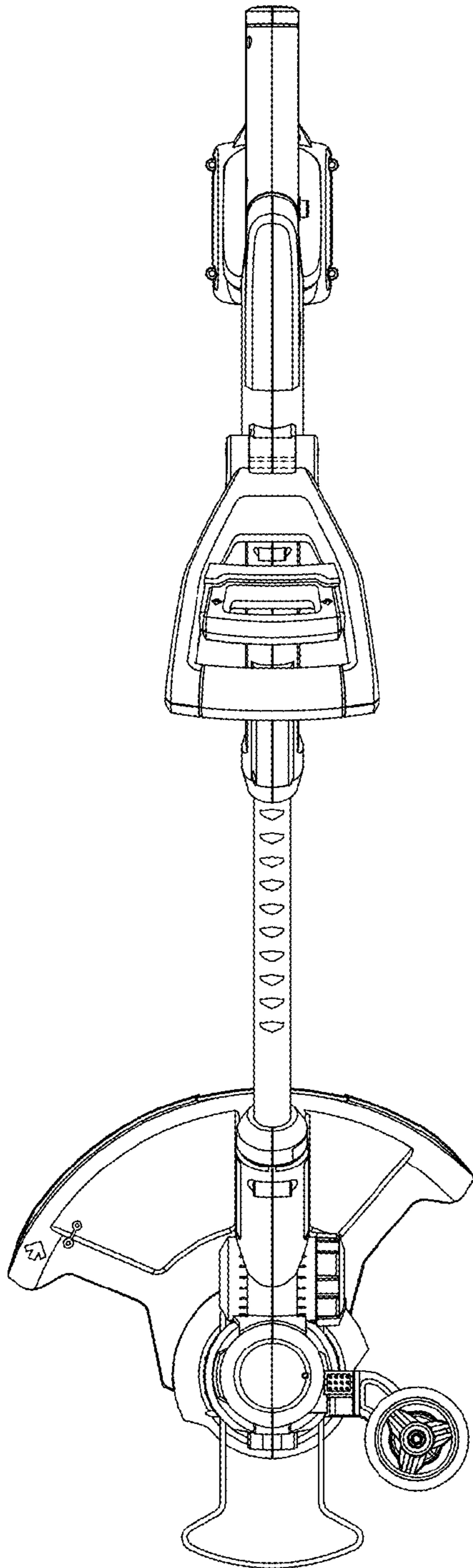


FIGURE 5

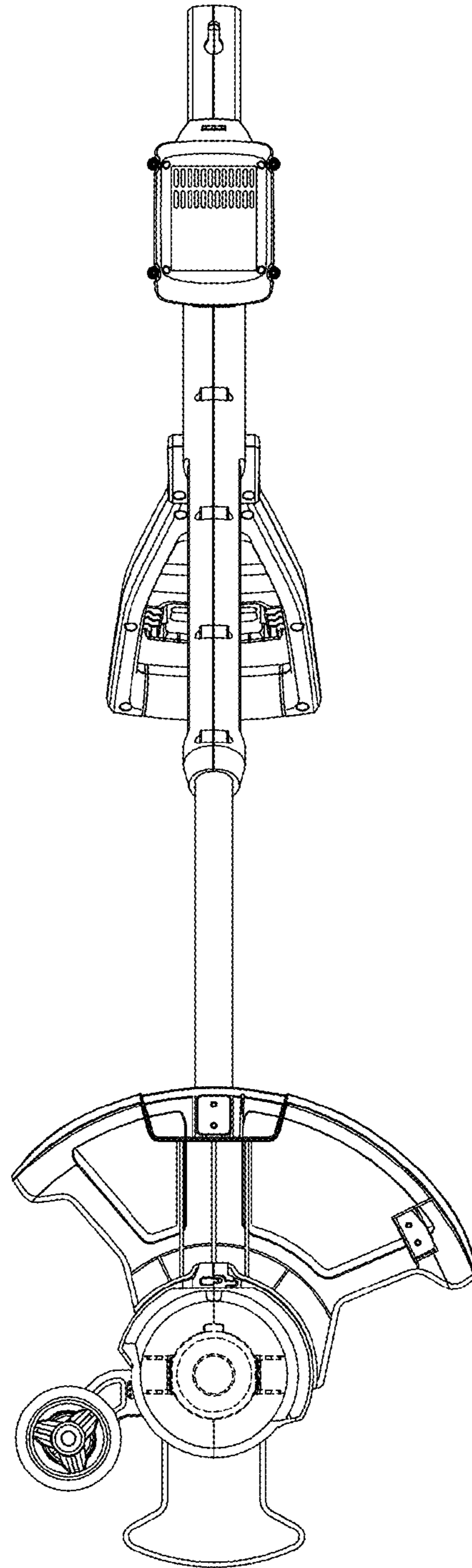


FIGURE 6

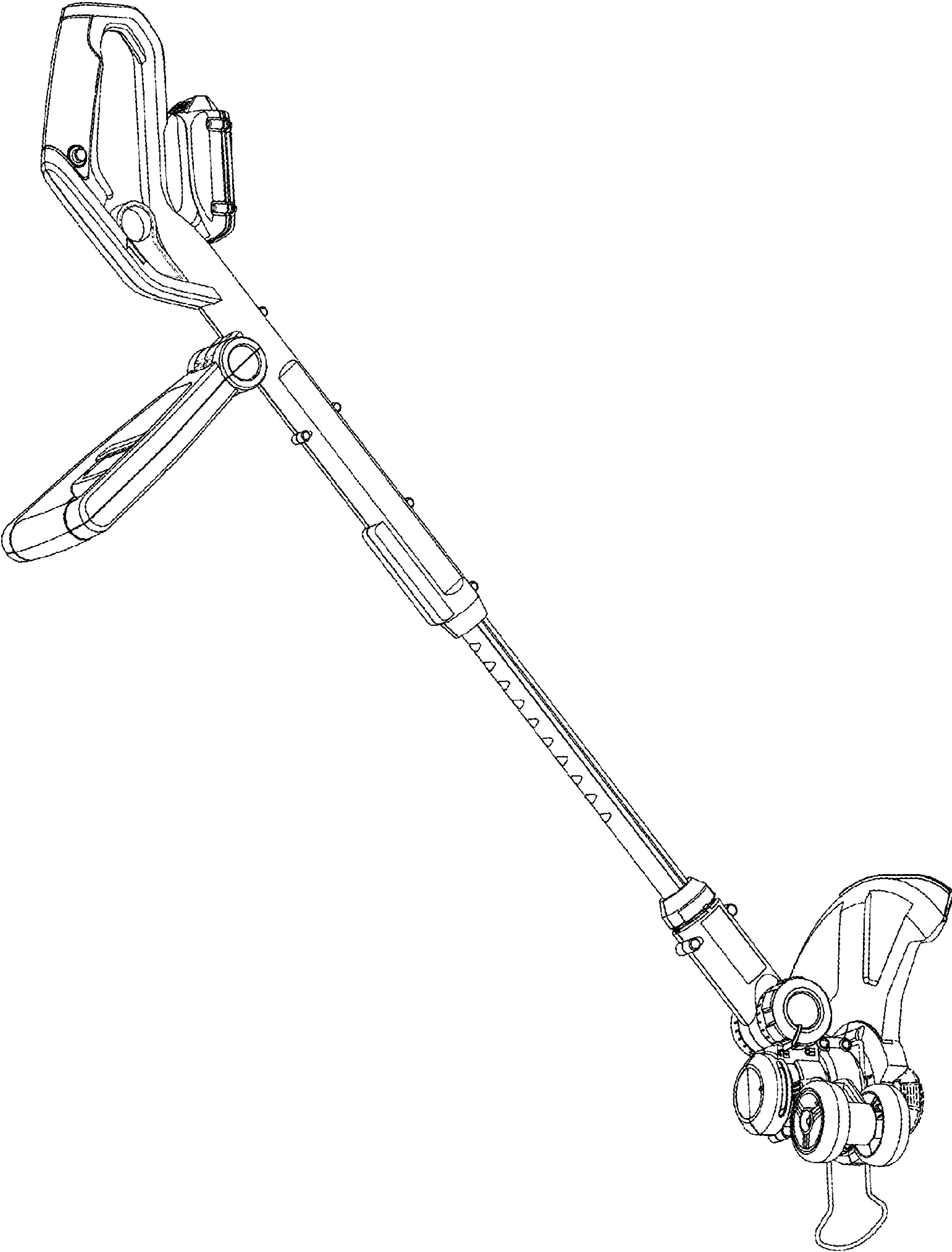


FIGURE 7

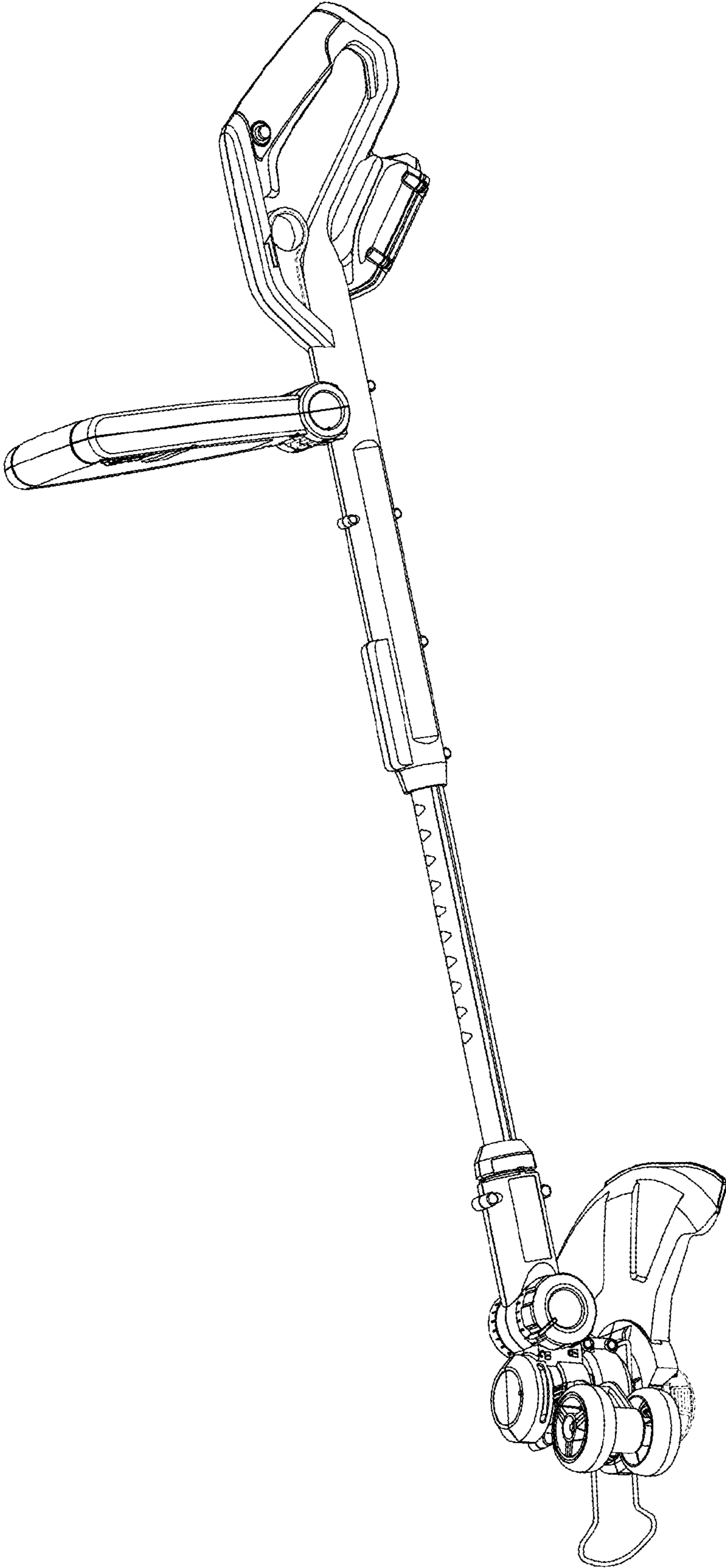


FIGURE 8

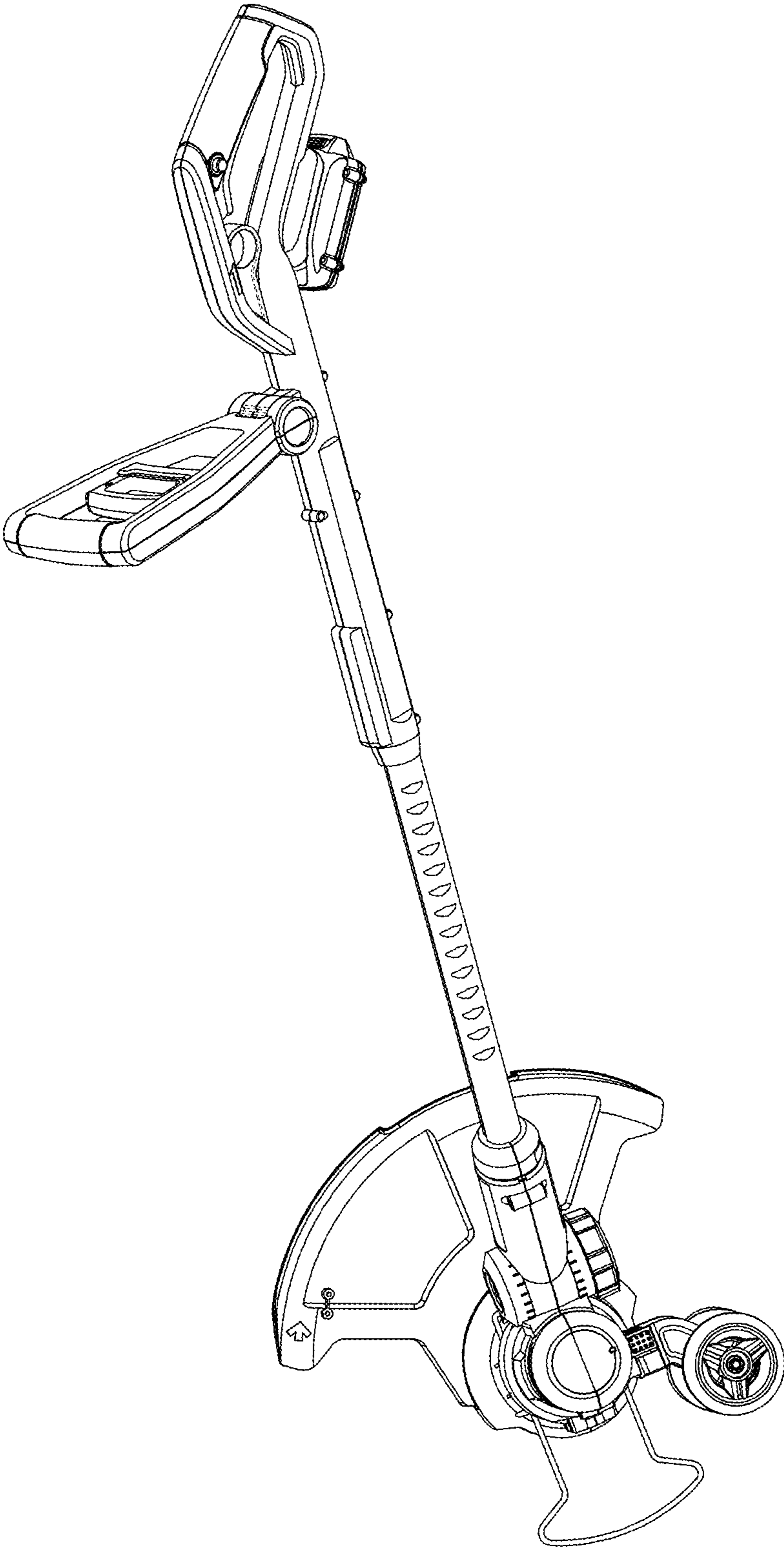


FIGURE 9