



US00D731266S

(12) **United States Design Patent**
Bach

(10) **Patent No.:** **US D731,266 S**
(45) **Date of Patent:** **** Jun. 9, 2015**

- (54) **DEVICE FOR EXPANDED CELL CONFINEMENT STRUCTURE**
- (71) Applicant: **Reynolds Presto Products Inc.,**
Richmond, VA (US)
- (72) Inventor: **Gary Michael Bach,** Appleton, WI (US)
- (73) Assignee: **Reynolds Presto Products, Inc.,**
Richmond, VA (US)
- (**) Term: **14 Years**
- (21) Appl. No.: **29/443,714**
- (22) Filed: **Jan. 22, 2013**
- (51) **LOC (10) Cl.** **08-08**
- (52) **U.S. Cl.**
USPC **D8/1**
- (58) **Field of Classification Search**
USPC D8/382, 349, 354; 405/302.4, 302.6;
D21/503, 486
See application file for complete search history.

D531,890	S *	11/2006	Bentrim	D8/382
7,544,010	B2	6/2009	Restrepo et al.		
8,092,122	B2	1/2012	Senf et al.		
D708,680	S *	7/2014	Norman et al.	D21/503
D711,975	S *	8/2014	Norman et al.	D21/503
D712,727	S *	9/2014	Geiger	D8/382
8,827,597	B2 *	9/2014	Bach et al.	405/302.4
2008/0213521	A1	9/2008	Halahmi et al.		
2011/0217117	A1	9/2011	Halahmi et al.		
2014/0205790	A1 *	7/2014	Bach et al.	428/99

OTHER PUBLICATIONS

International Search Report and Written Opinion for Application No. PCT/US2014/011080 mailed Nov. 25, 2014.
US 5,336,544, 08/1994, Bach et al. (withdrawn)

* cited by examiner

Primary Examiner — Sheryl Lane

(74) *Attorney, Agent, or Firm* — Merchant & Gould P.C.

(57) **CLAIM**

The ornamental design for device for expanded cell confinement structure, as shown and described.

DESCRIPTION

FIG. 1 is a perspective view of a device made according to my new design;

FIG. 2 is a front view thereof;

FIG. 3 is rear view thereof;

FIG. 4 is a right side view thereof;

FIG. 5 is a left side view thereof;

FIG. 6 is a top view thereof; and,

FIG. 7 is a bottom view thereof.

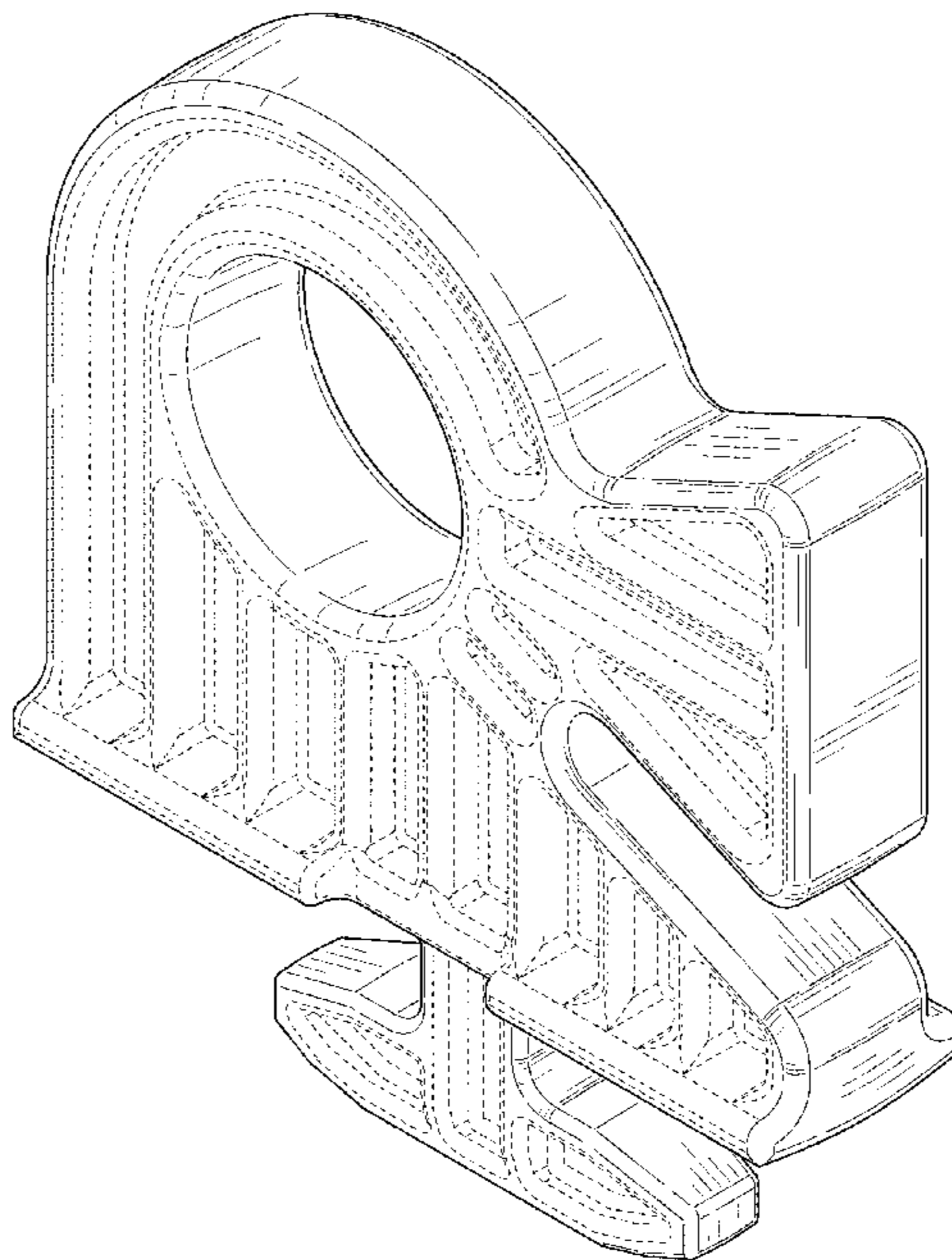
The broken lines represent portions of the device and form no part of the claimed design.

1 Claim, 5 Drawing Sheets

(56) **References Cited**

U.S. PATENT DOCUMENTS

1,455,636	A	5/1923	McConnal		
4,778,309	A	10/1988	Bach et al.		
4,965,097	A	10/1990	Bach		
5,449,543	A	9/1995	Bach et al.		
D407,301	S *	3/1999	Donalies	D8/382
5,927,906	A *	7/1999	Bach et al.	405/302.6
6,395,372	B1	5/2002	Bach		
6,484,473	B1	11/2002	Hall		
D485,159	S *	1/2004	Junkers	D8/382
D492,575	S *	7/2004	Carroll et al.	D8/354
D522,849	S *	6/2006	Dick et al.	D8/395



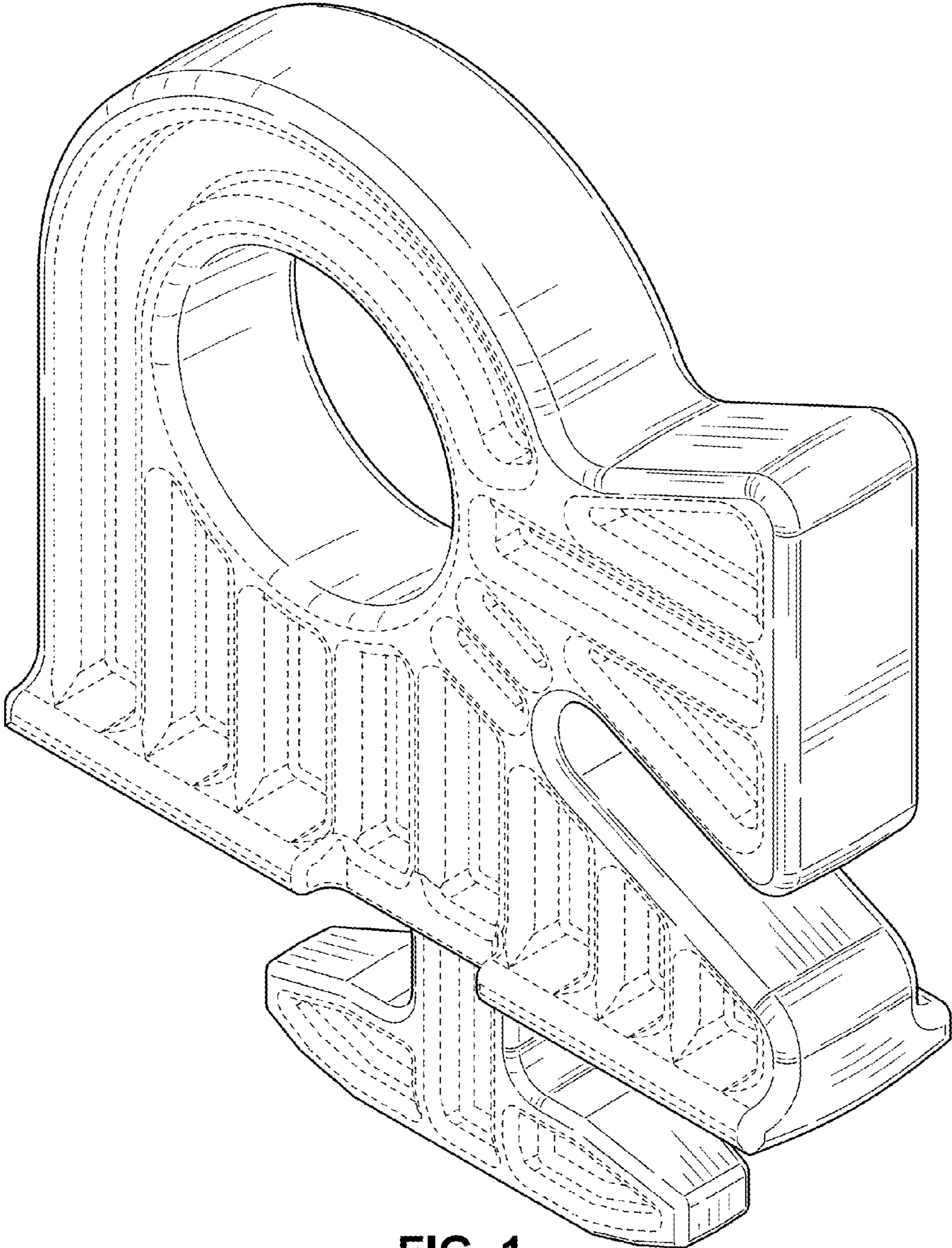


FIG. 1

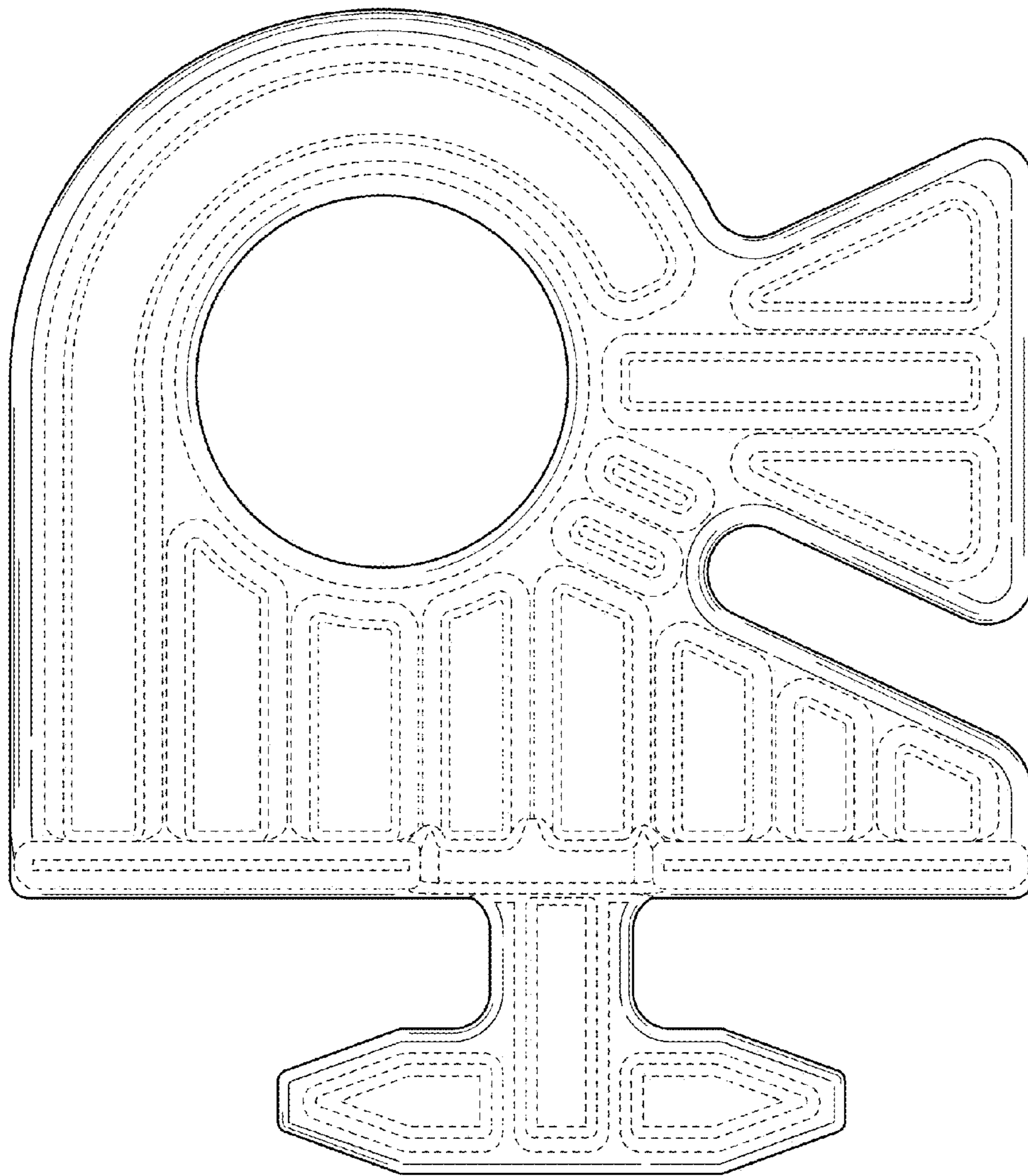


FIG. 2

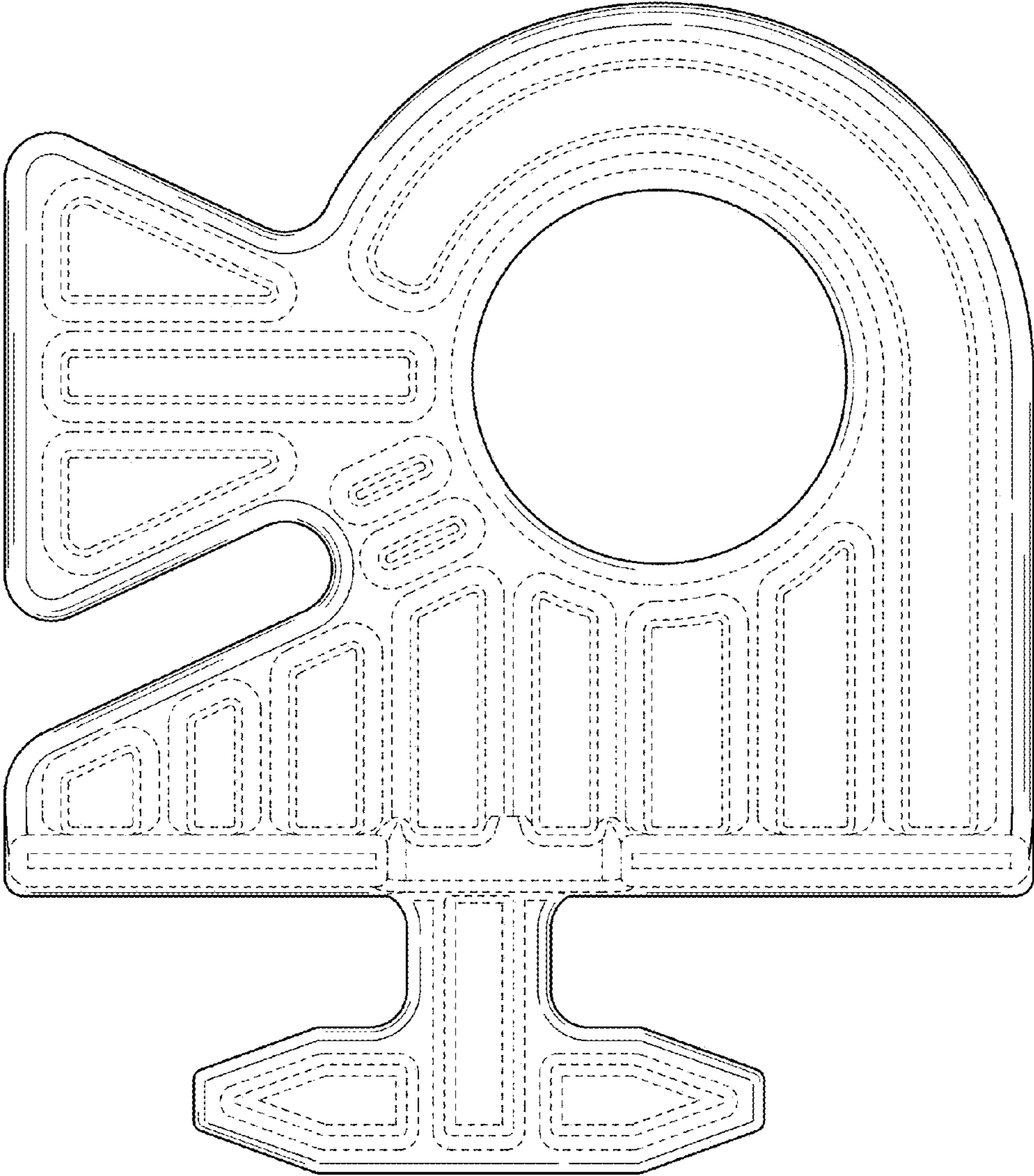


FIG. 3

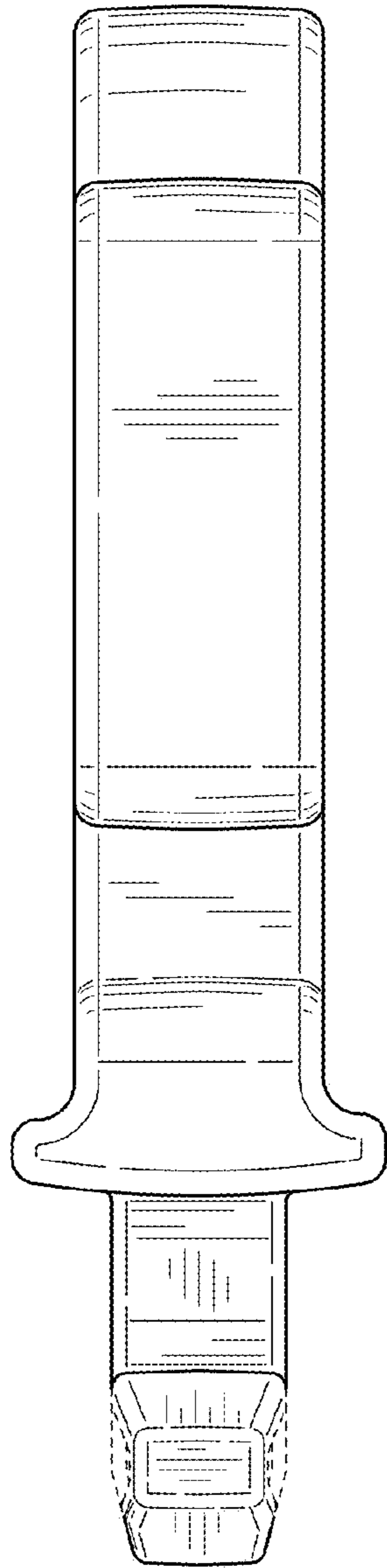


FIG. 4

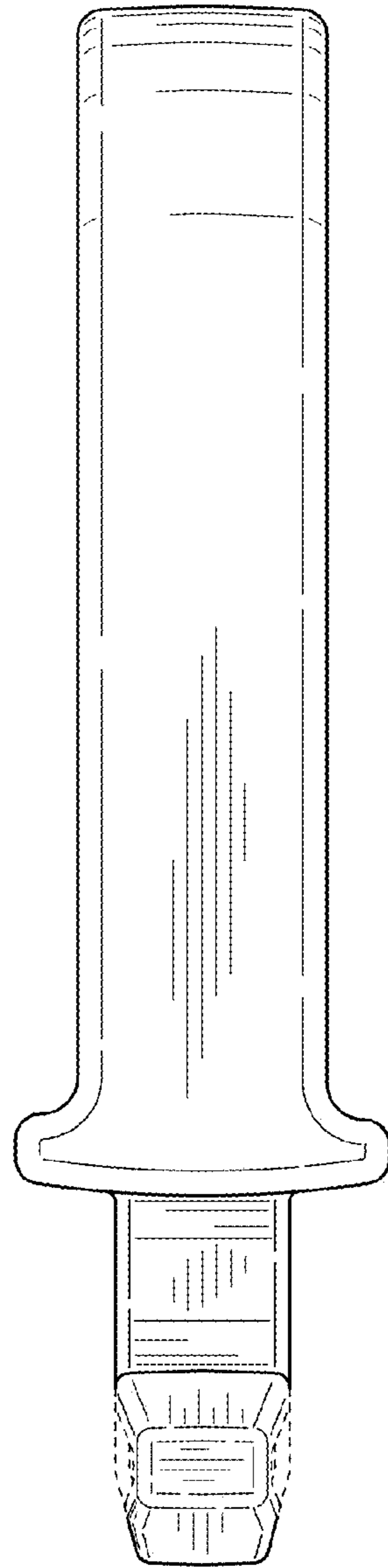


FIG. 5

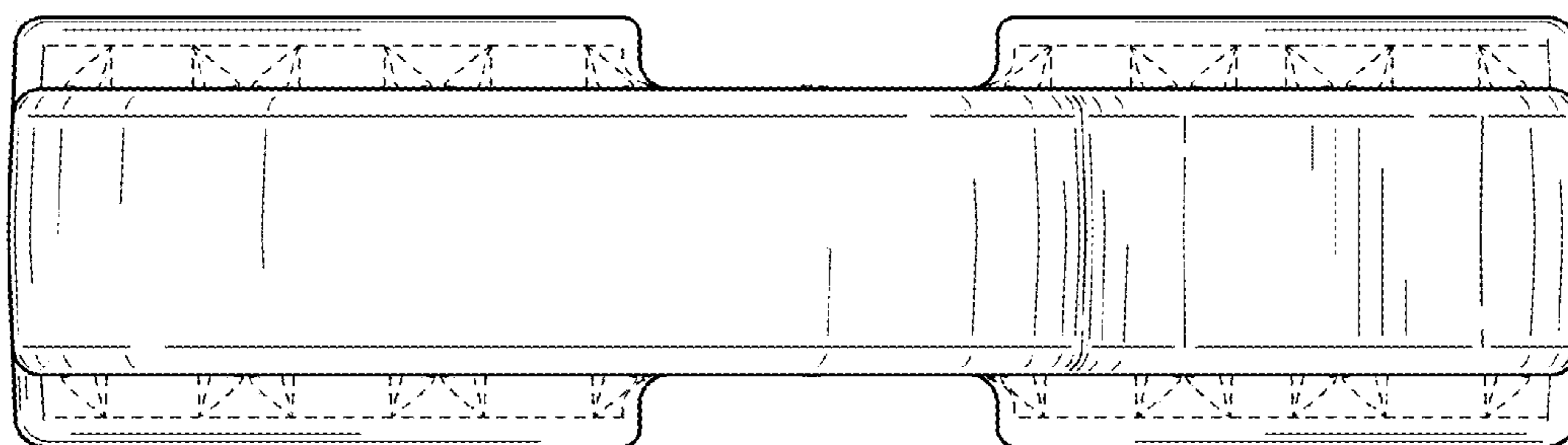


FIG. 6

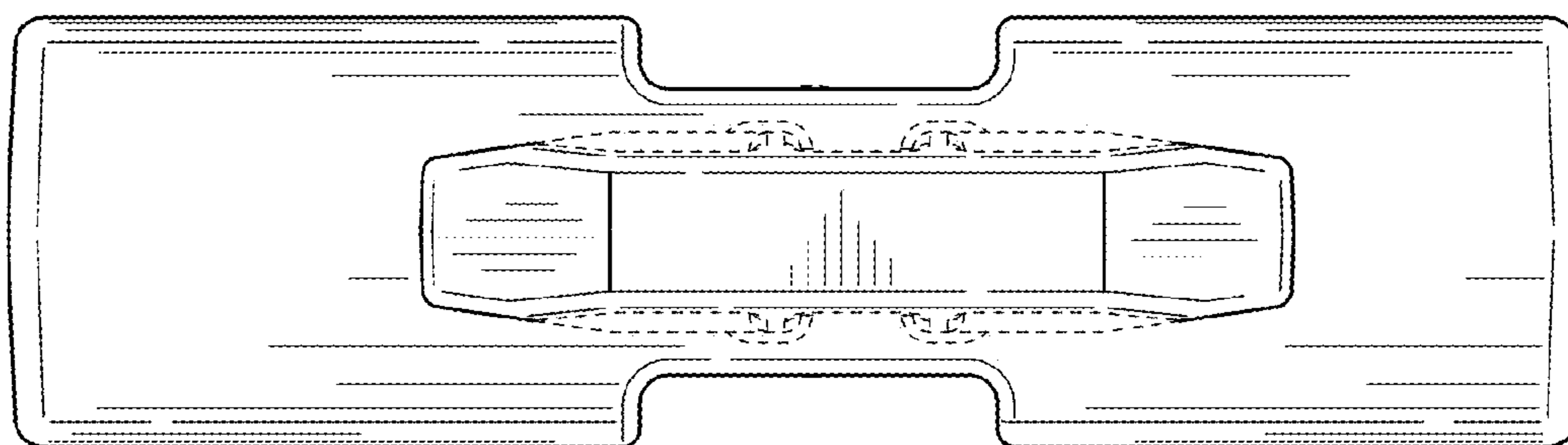


FIG. 7