



US00D731261S

(12) **United States Design Patent**
Hauser et al.

(10) **Patent No.:** **US D731,261 S**
(45) **Date of Patent:** **** Jun. 9, 2015**

(54) **COLLAPSIBLE OVER THE SINK COLANDER**

D346,725 S * 5/1994 Kolada D7/667
5,392,941 A 2/1995 Robbins, III
5,417,337 A 5/1995 Robbins, III

(71) Applicant: **Progressive International Corporation,**
Kent, WA (US)

(Continued)

(72) Inventors: **Lawrence M. Hauser,** Auburn, WA
(US); **Gregory Thomas Janky,**
Sammamish, WA (US); **Treasure Lynae**
Hinds, Seattle, WA (US)

FOREIGN PATENT DOCUMENTS

AU 2007200570 A1 5/2008
CA 2245807 12/2005

(Continued)

(73) Assignee: **Progressive International Corporation,**
Kent, WA (US)

OTHER PUBLICATIONS

“The Norman Collapsible Colander,” Smart Stuff, www.smartstuff.
se; 2 pages, Aug. 2005.

(Continued)

(**) Term: **14 Years**

(21) Appl. No.: **29/481,237**

(22) Filed: **Feb. 3, 2014**

Primary Examiner — Terry Wallace

(74) Attorney, Agent, or Firm — Lowe Graham Jones PLLC

(51) **LOC (10) Cl.** **07-04**

(52) **U.S. Cl.**
USPC **D7/667**

(57) **CLAIM**

We claim the ornamental design for the collapsible over the
sink colander, as shown and described.

(58) **Field of Classification Search**
USPC D7/667, 668, 368, 669, 538–542, 584,
D7/586, 587, 400; 100/110, 113, 116, 117,
100/127, 213, 248; 210/314, 249, 480, 481,
210/464, 470–478, 497.01, 497.1, 498, 499,
210/495–497, 456, 493.3, 493.5;
99/505–510, 497, 403, 345, 324, 325,
99/339, 425, 426, 415
CPC A47J 19/00; A47J 43/24; A47J 47/20
See application file for complete search history.

DESCRIPTION

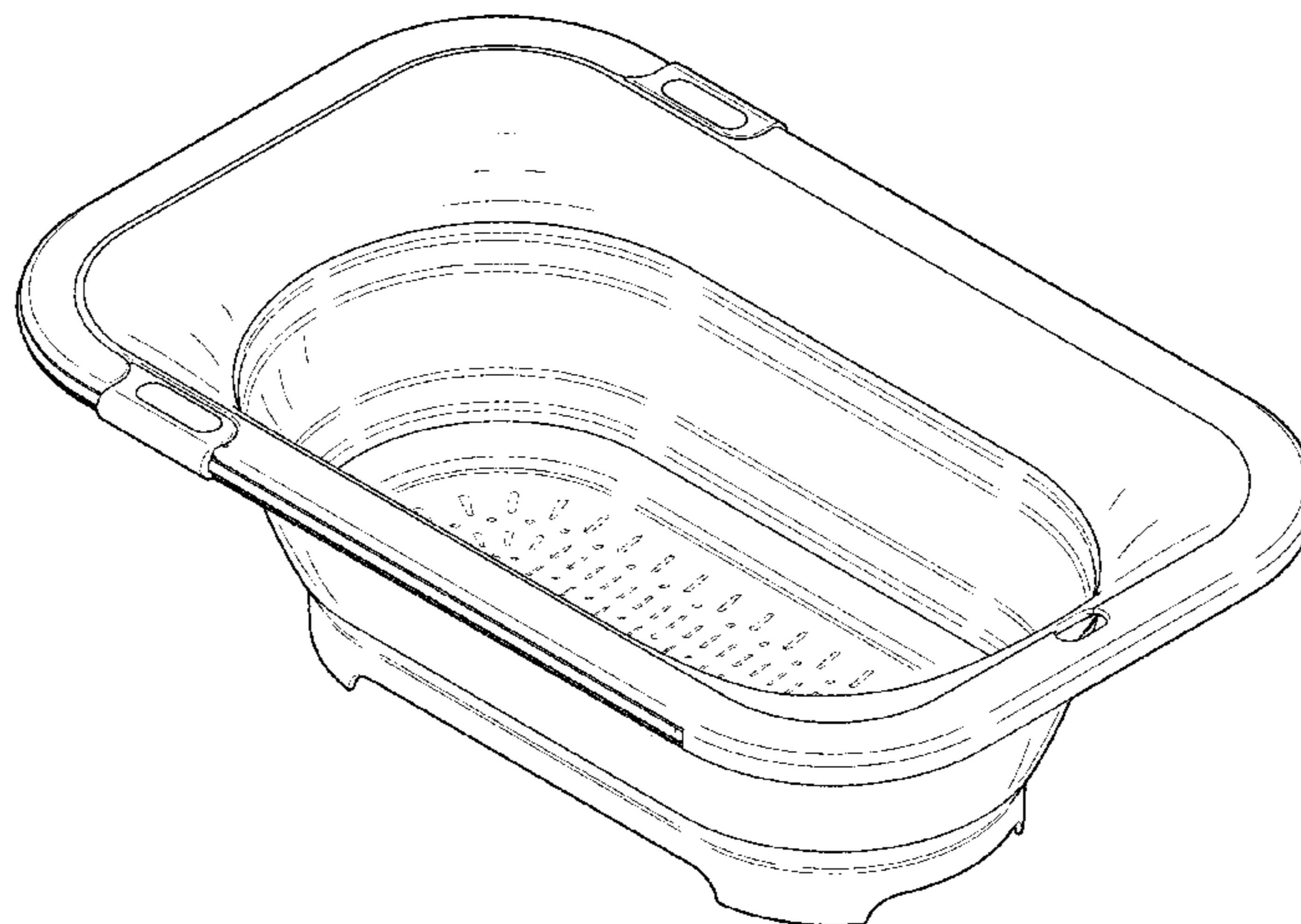
FIG. 1 is a top perspective view of the collapsible over the sink
colander, showing our new design.
FIG. 2 is a front view of the collapsible over the sink colander,
the back view being a mirror image.
FIG. 3 is a top view of the collapsible over the sink colander.
FIG. 4 is a right side view of the collapsible over the sink
colander.
FIG. 5 is a left side view of the collapsible over the sink
colander; and,
FIG. 6 is a bottom view of the collapsible over the sink
colander.
Features illustrated in broken lines show an intended environ-
ment for the collapsible over the sink colander and form no
part of the claimed invention.

(56) **References Cited**

U.S. PATENT DOCUMENTS

1,389,908 A * 9/1921 Shults et al. 211/85.25
2,725,087 A 11/1955 Potter
3,220,544 A 11/1965 Lovell
D244,827 S * 6/1977 Nevai D32/55
4,377,191 A 3/1983 Yamaguchi
5,226,551 A 7/1993 Robbins, III

1 Claim, 5 Drawing Sheets



(56)

References Cited

U.S. PATENT DOCUMENTS

5,439,128 A 8/1995 Fishman
 5,533,638 A 7/1996 Robbins, III
 5,549,213 A 8/1996 Robbins, III et al.
 5,575,398 A 11/1996 Robbins, III
 5,584,413 A 12/1996 Jung
 5,632,406 A 5/1997 Robbins, III
 5,860,556 A 1/1999 Robbins, III
 5,900,293 A 5/1999 Zettle
 5,911,338 A 6/1999 Miller
 5,913,448 A 6/1999 Mann et al.
 5,992,676 A * 11/1999 Tsai 220/485
 6,129,344 A * 10/2000 Yang 269/15
 6,158,620 A 12/2000 Polan
 6,315,151 B1 11/2001 Hupp et al.
 6,364,152 B1 4/2002 Poslinski et al.
 6,547,080 B1 4/2003 Guard
 6,736,285 B2 5/2004 Stewart-Stand
 6,758,348 B2 7/2004 Adkins
 6,811,051 B2 11/2004 Higuchi
 D503,313 S * 3/2005 Shamoan D7/667
 6,949,190 B2 9/2005 Hutzler
 D514,764 S * 2/2006 Kumagai D32/55
 D558,535 S * 1/2008 Curtin D7/667
 D584,112 S * 1/2009 Ehrenhaus et al. D7/667

7,678,271 B2 3/2010 Curtin
 D669,318 S 10/2012 Bagley
 D671,802 S * 12/2012 Lee et al. D7/667
 2005/0127073 A1 6/2005 Kusuma et al.
 2005/0127074 A1 6/2005 Kusuma et al.
 2006/0096929 A1 5/2006 Repp et al.
 2007/0181489 A1 8/2007 Lee
 2007/0251874 A1 11/2007 Stewart

FOREIGN PATENT DOCUMENTS

CA 2602047 9/2008
 CA 2602253 12/2008
 CN 201119807 9/2008
 CN 201160796 12/2008
 CN 201167889 12/2008
 EP 0719708 A1 7/1996
 EP 1764017 A1 3/2007
 EP 1917890 A1 5/2008
 WO 2009023892 A1 2/2009

OTHER PUBLICATIONS

“Prepology Set of 3 Silicone Collapsible Colanders,” QVC, <http://www.qvc.com/scripts/detail.dll>, 5 pages, Printed Jul. 5, 2006.

* cited by examiner

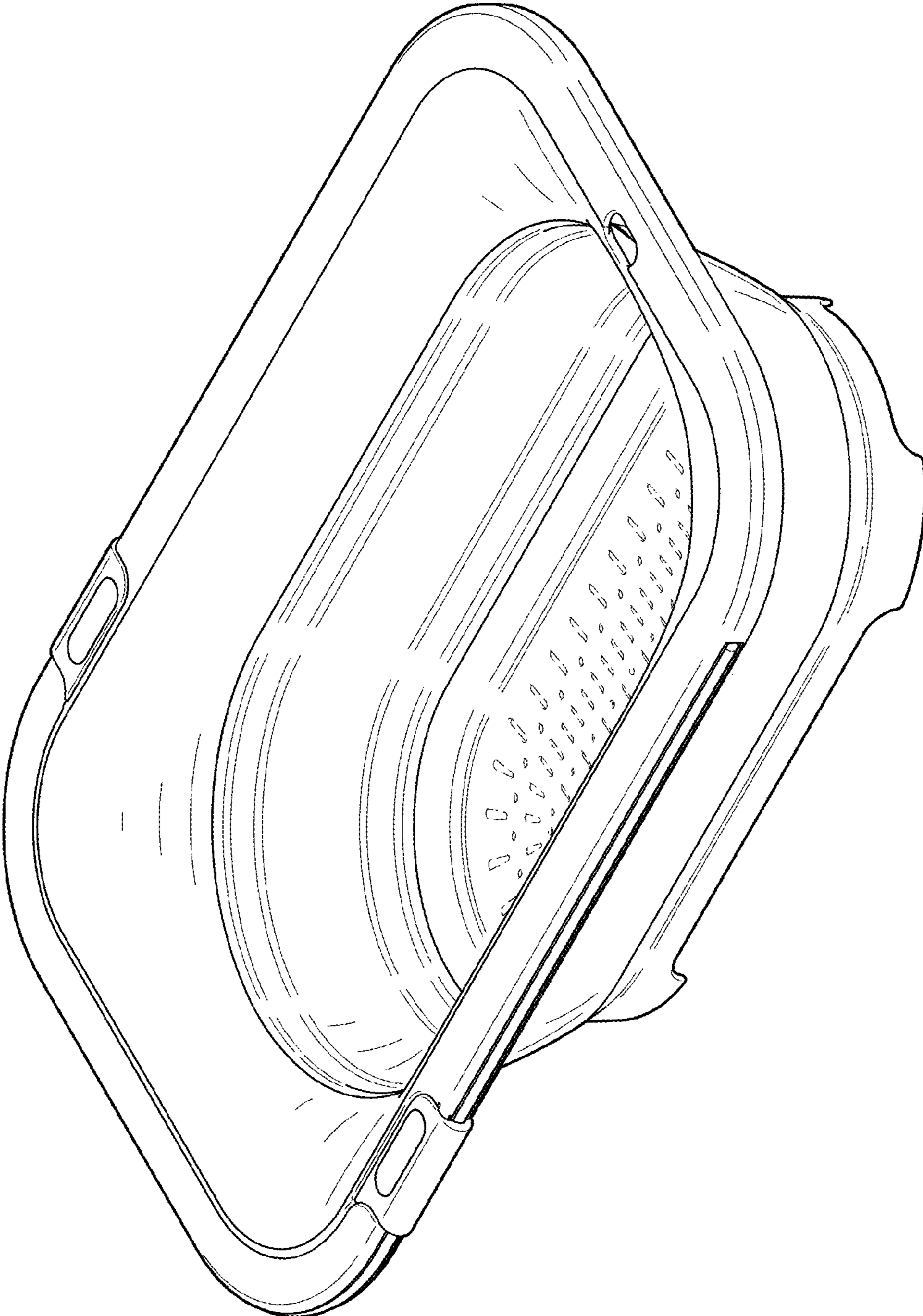


FIG.1

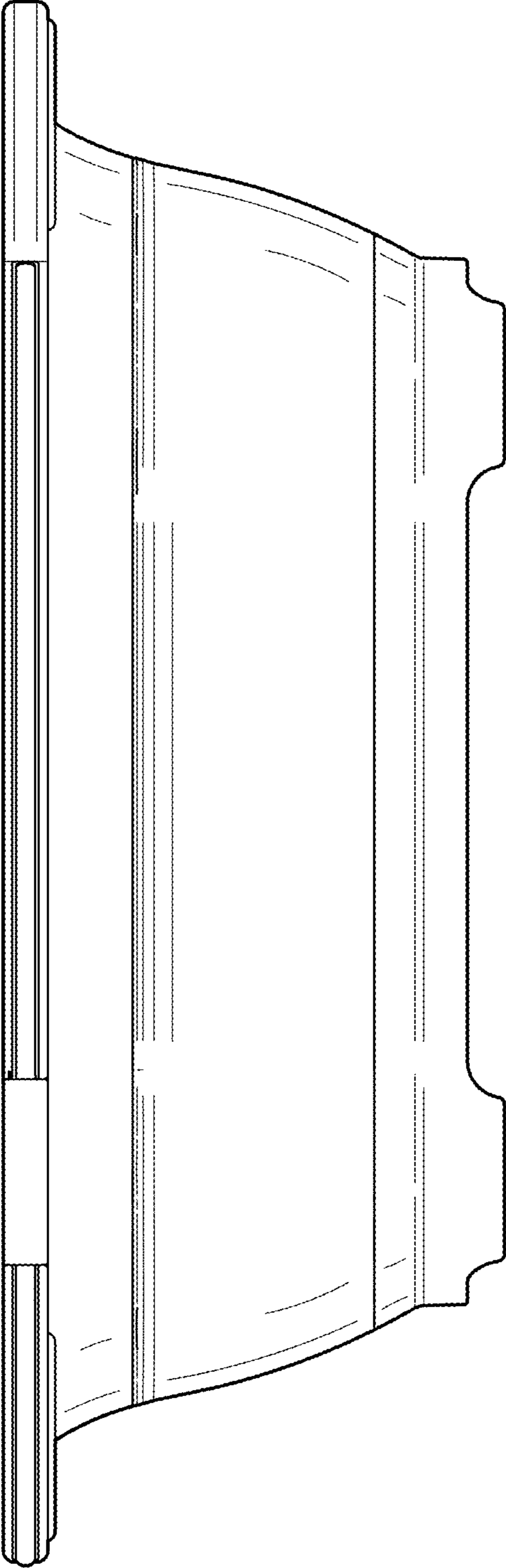


FIG.2

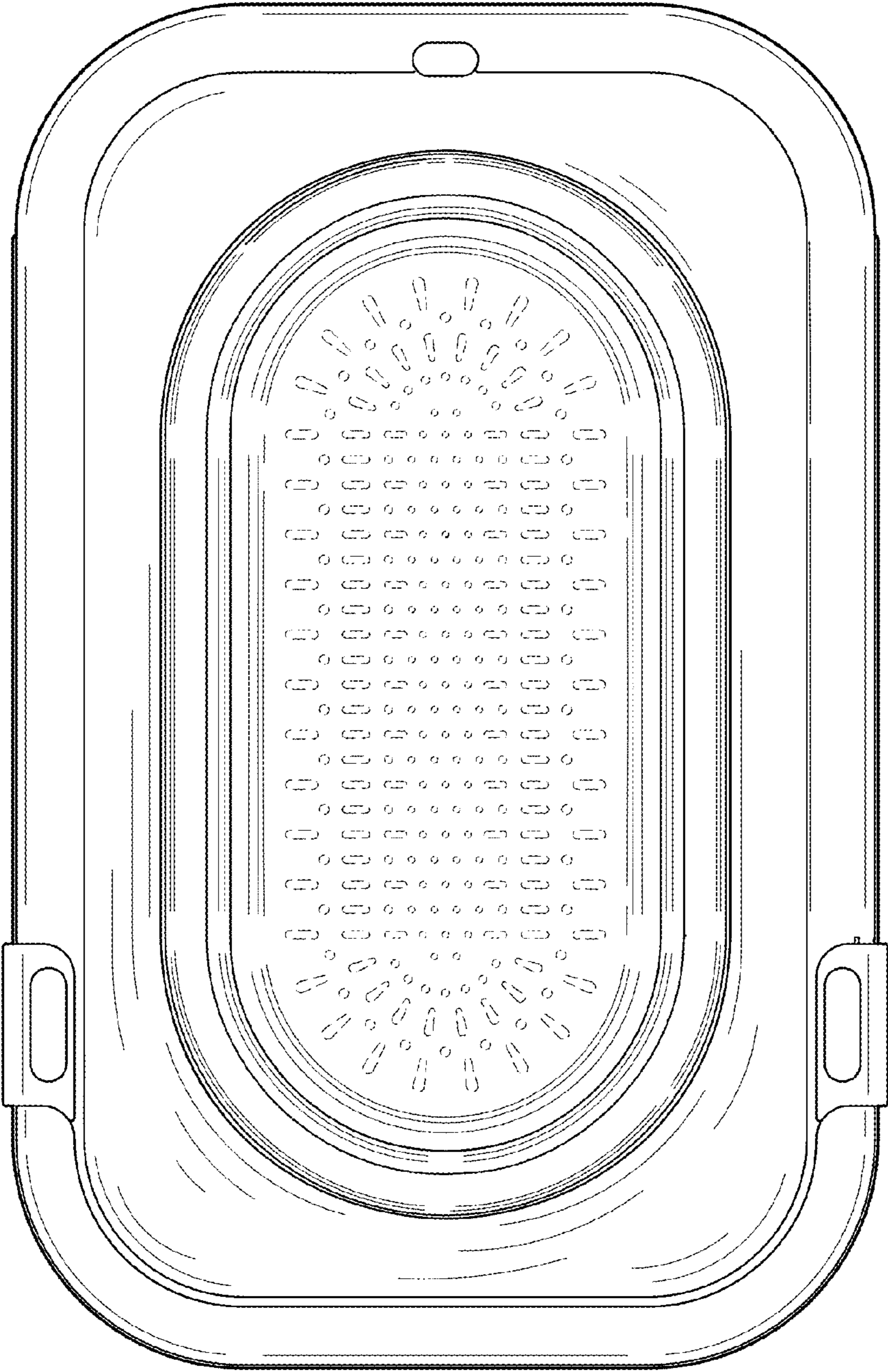


FIG.3

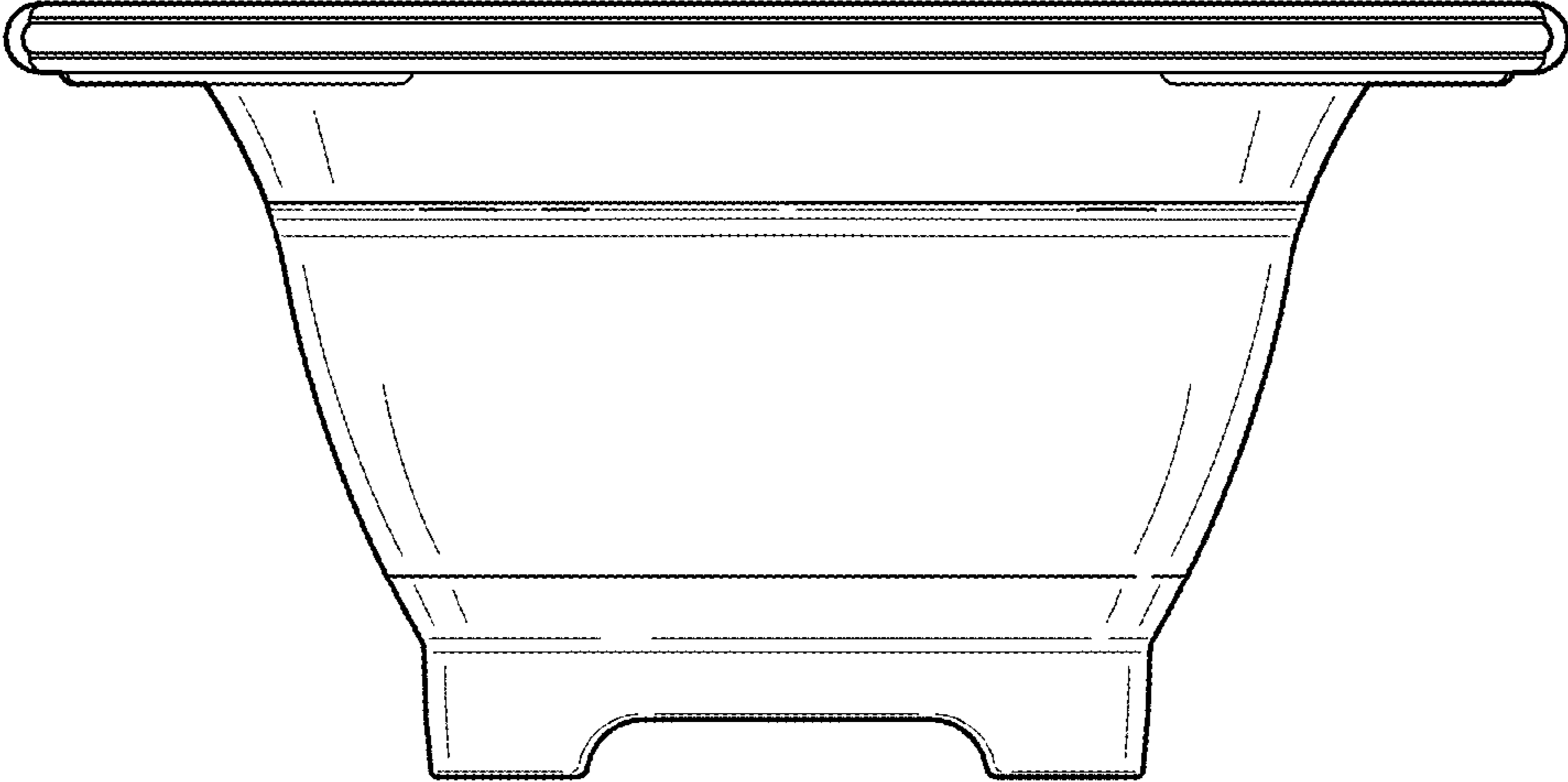


FIG. 4

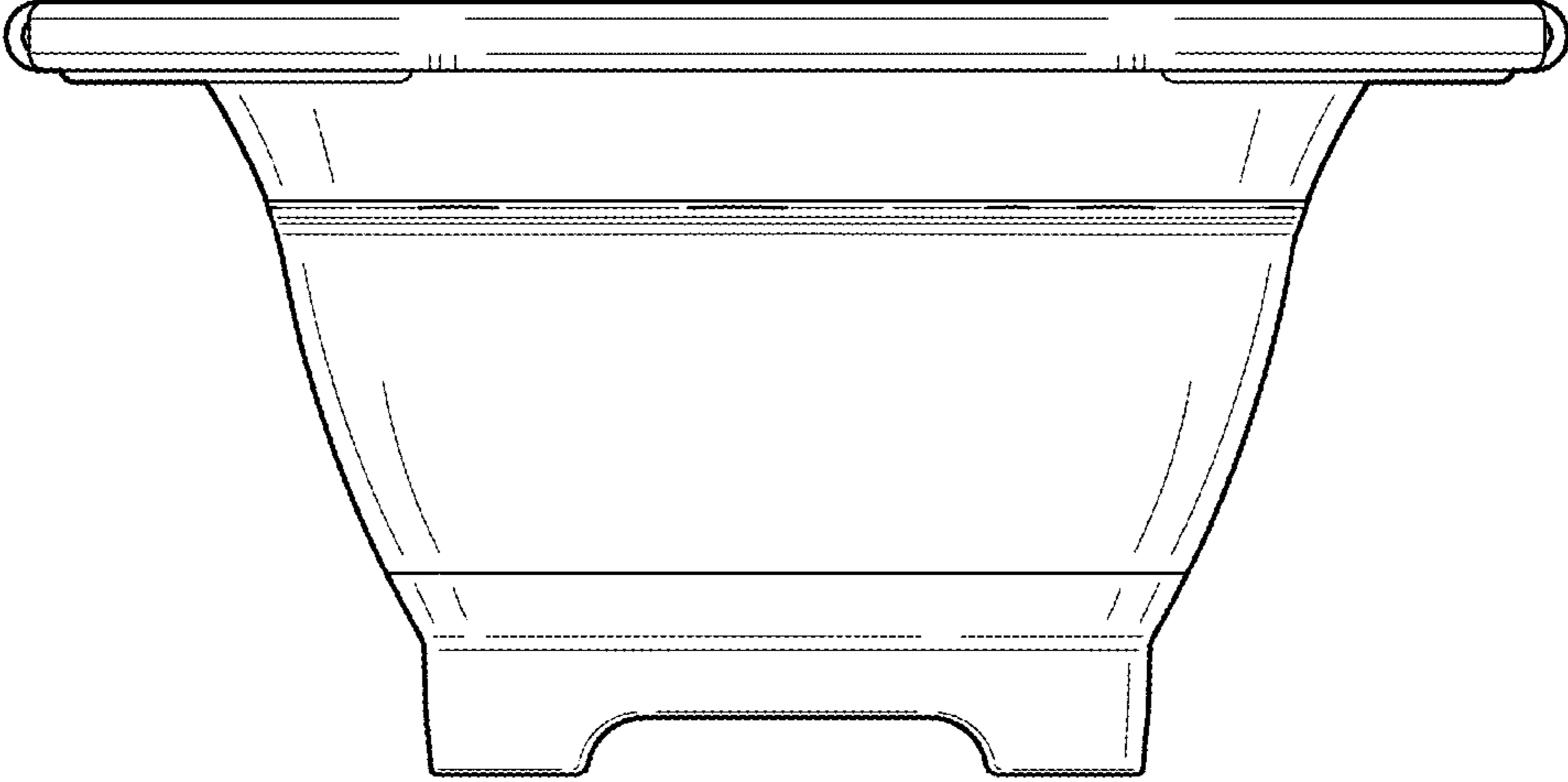


FIG. 5

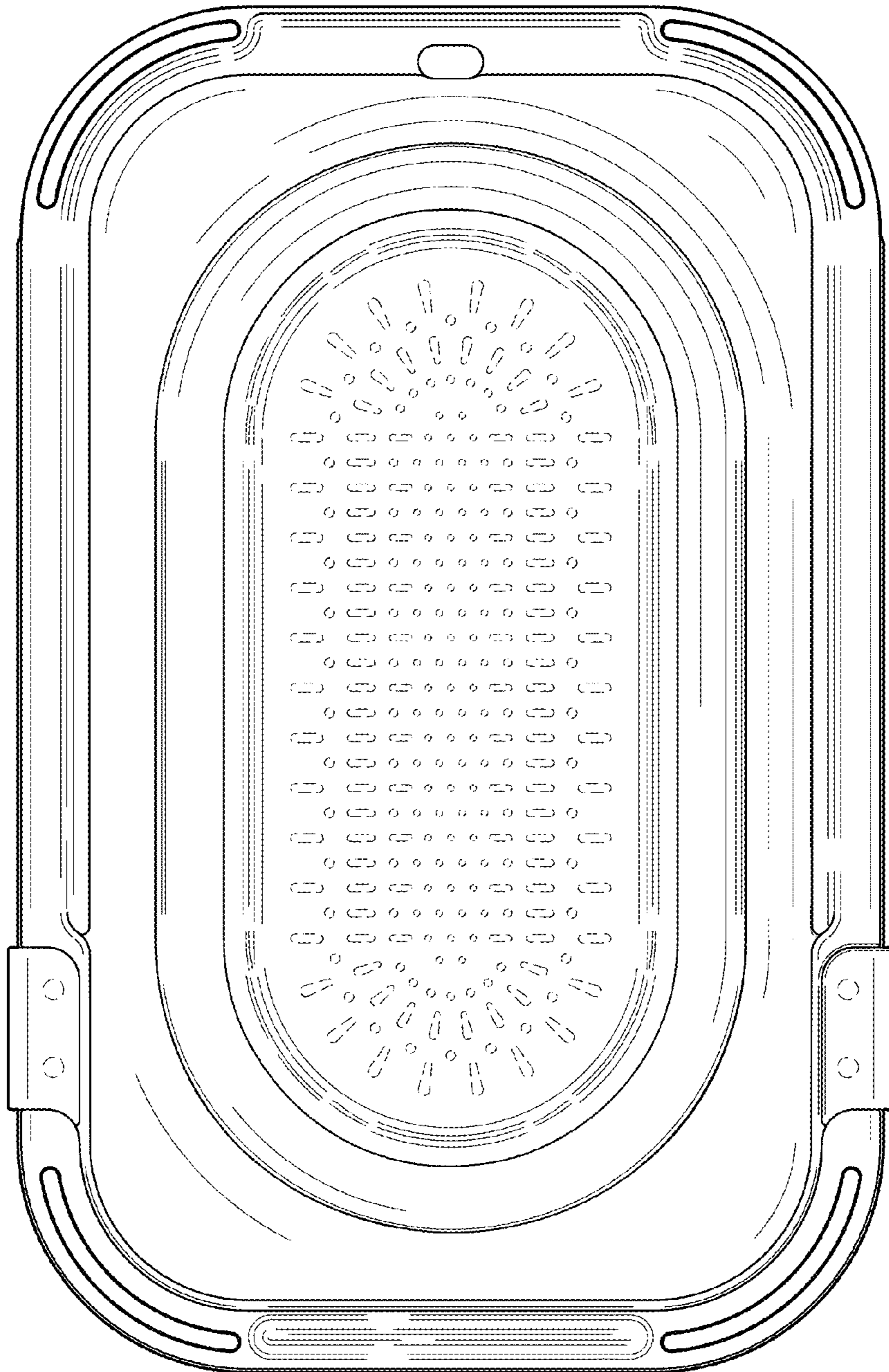


FIG. 6