



US00D731255S

(12) **United States Design Patent**
De Giorgio

(10) **Patent No.:** **US D731,255 S**
(45) **Date of Patent:** **** Jun. 9, 2015**

(54) **BASE FOR A DECANTING CRADLE**

(75) Inventor: **Carmelino De Giorgio**, Ebikon (CH)

(73) Assignee: **Officina Gourmet GmbH**, Lucerne (CH)

(**) Term: **14 Years**

(21) Appl. No.: **29/411,267**

(22) Filed: **Jan. 18, 2012**

(30) **Foreign Application Priority Data**

Jul. 19, 2011 (CH) 138209

(51) **LOC (10) Cl.** **07-06**

(52) **U.S. Cl.**
USPC **D7/621**

(58) **Field of Classification Search**

USPC D7/589, 621, 314, 622, 601-603, 607,
D7/608, 620, 619.1, 642.3, 605, 704, 536;
248/139, 133, 141, 146, 138, 127, 128;
222/166, 91; 211/81, 74, 85.4, 75,
211/85.18, 85.22; 215/399; 210/515;
141/64, 45; 362/101, 802; 206/139
CPC ... A47G 23/0241; A47G 23/02; A47G 23/03;
A47F 5/0006; A47F 5/081; A47F 5/0087;
A47F 5/0093; A47F 5/12; A47F 5/13; A47F
5/132; B01F 2215/0072; Y10S 362/802;
B65G 65/24; B67D 1/04; B67D 1/0885;
B67D 1/0412; B67D 1/1252; B67D 3/0032;
B67D 2001/0825; B67C 9/00; A47B 73/00;
A47B 73/002; A47B 73/004; A47B 73/006;
A47B 73/008; A47B 96/06; A47B 96/07;
A47B 96/067

See application file for complete search history.

(56) **References Cited**

U.S. PATENT DOCUMENTS

1,249,341 A * 12/1917 Cropsey 248/139
D102,904 S * 1/1937 Karsh D7/314

D233,723 S * 11/1974 Guitierrez D7/704
3,868,047 A * 2/1975 Bersano 222/166
D257,935 S * 1/1981 Allan D7/621

(Continued)

OTHER PUBLICATIONS

Carmelino De Giorgio, "Base portion of a decanting cradle", Design U.S. Appl. No. 29/411,266, filed Jan. 18, 2012.

(Continued)

Primary Examiner — Ian Simmons

Assistant Examiner — Shannon Morgan

(74) *Attorney, Agent, or Firm* — Smartpat PLC; Axel Nix

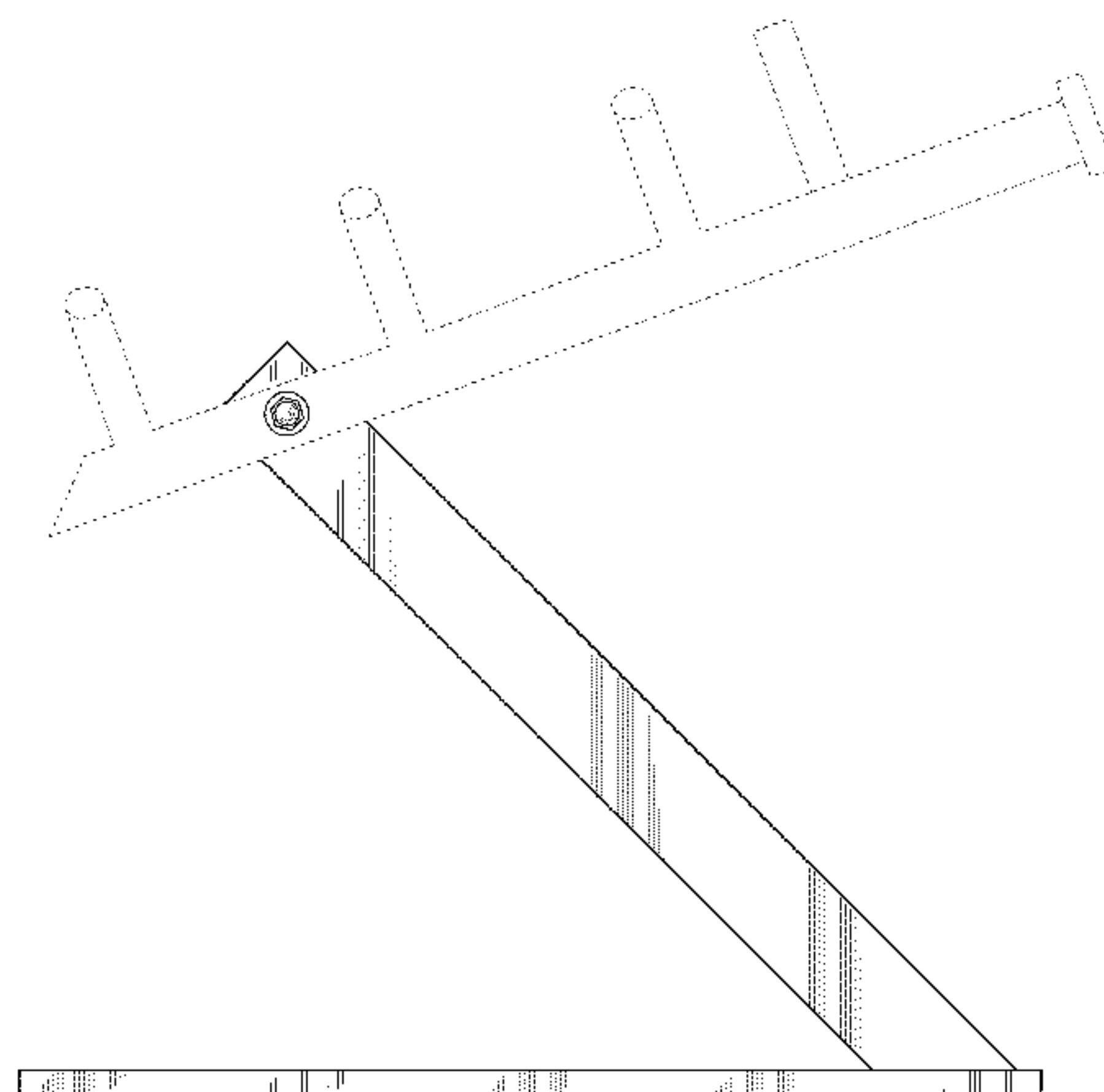
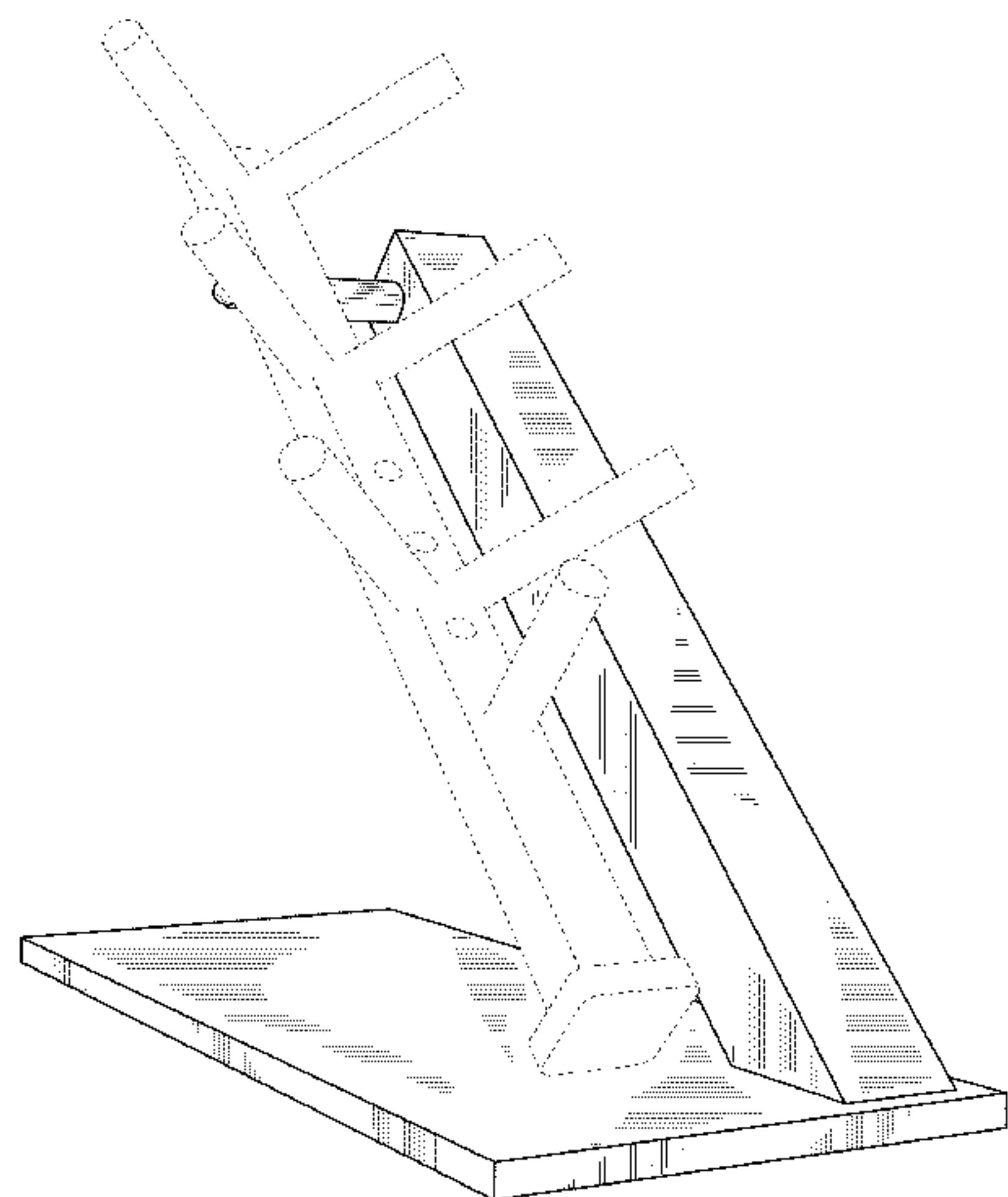
(57) **CLAIM**

I claim the ornamental design for a base for a decanting cradle, as shown and described.

DESCRIPTION

FIG. 1 is a perspective rear and left side view of a base for a decanting cradle showing my new design;
FIG. 2 is a left side elevational view thereof;
FIG. 3 is a second left side elevational view thereof;
FIG. 4 is a third left side elevational view thereof;
FIG. 5 is a fourth left side elevational view thereof;
FIG. 6 is a right side elevational view thereof;
FIG. 7 is a second right side elevational view thereof;
FIG. 8 is a front elevational view thereof;
FIG. 9 is a second front elevational view thereof;
FIG. 10 is a rear elevational view thereof;
FIG. 11 is a second rear elevational view thereof;
FIG. 12 is a top plan view thereof;
FIG. 13 is a second top plan view thereof;
FIG. 14 is a bottom plan view thereof; and,
FIG. 15 is a second bottom plan view thereof.
The broken line showing of a bottle basket in FIGS. 1, 3-5, 7, 9, 11, 13 and 15 is included for the purpose of illustrating environmental structure that forms no part of the claimed design.

1 Claim, 15 Drawing Sheets



(56)

References Cited

OTHER PUBLICATIONS

U.S. PATENT DOCUMENTS

D261,345 S * 10/1981 Koepfel et al. D7/621
D262,085 S * 12/1981 Petley D7/621
4,317,551 A * 3/1982 Bishop 248/141
4,836,476 A * 6/1989 Wolf 248/146
6,425,421 B1 * 7/2002 Morrison 141/64
7,708,241 B2 * 5/2010 Wiemholt 248/138
8,496,139 B2 * 7/2013 Nishino 222/91

Carmelino De Giorgio, "Bottle basket portion of a decanting cradle",
Design U.S. Appl. No. 29/411,268, filed Jan. 18, 2012.

Carmelino De Giorgio, "Bottle basket portion of a decanting cradle",
Design U.S. Appl. No. 29/411,269, filed Jan. 18, 2012.

* cited by examiner

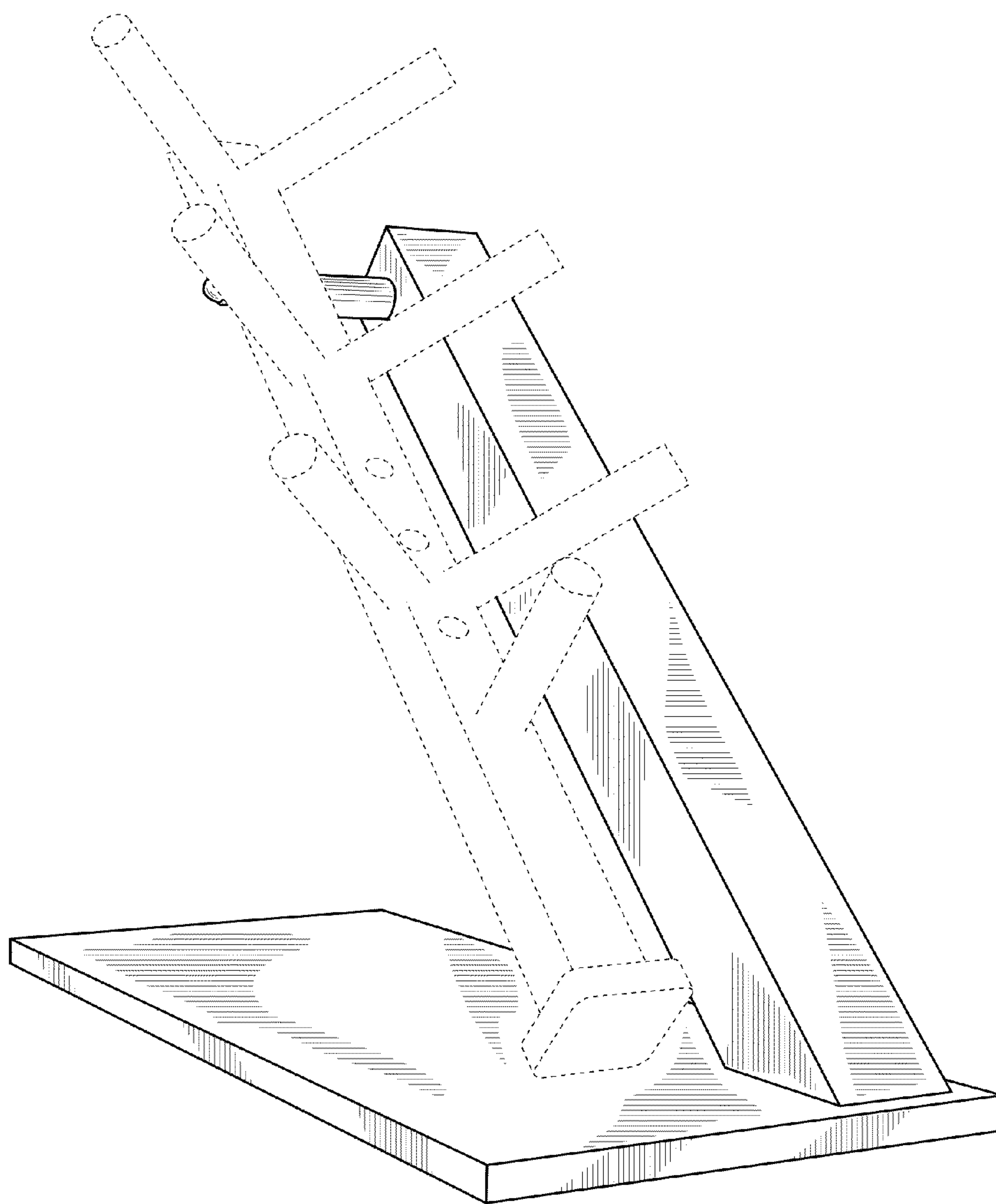


FIG. 1

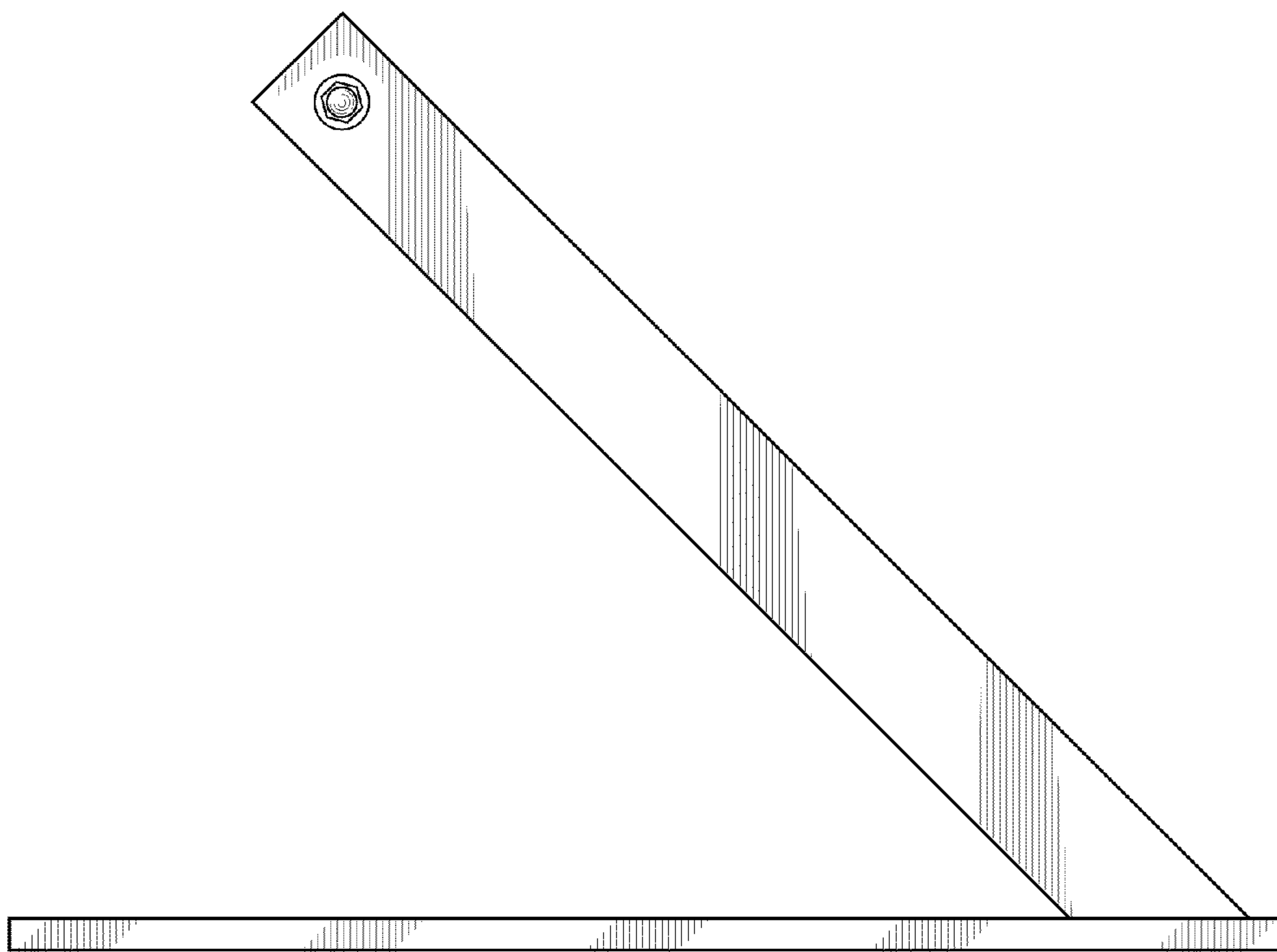


FIG. 2

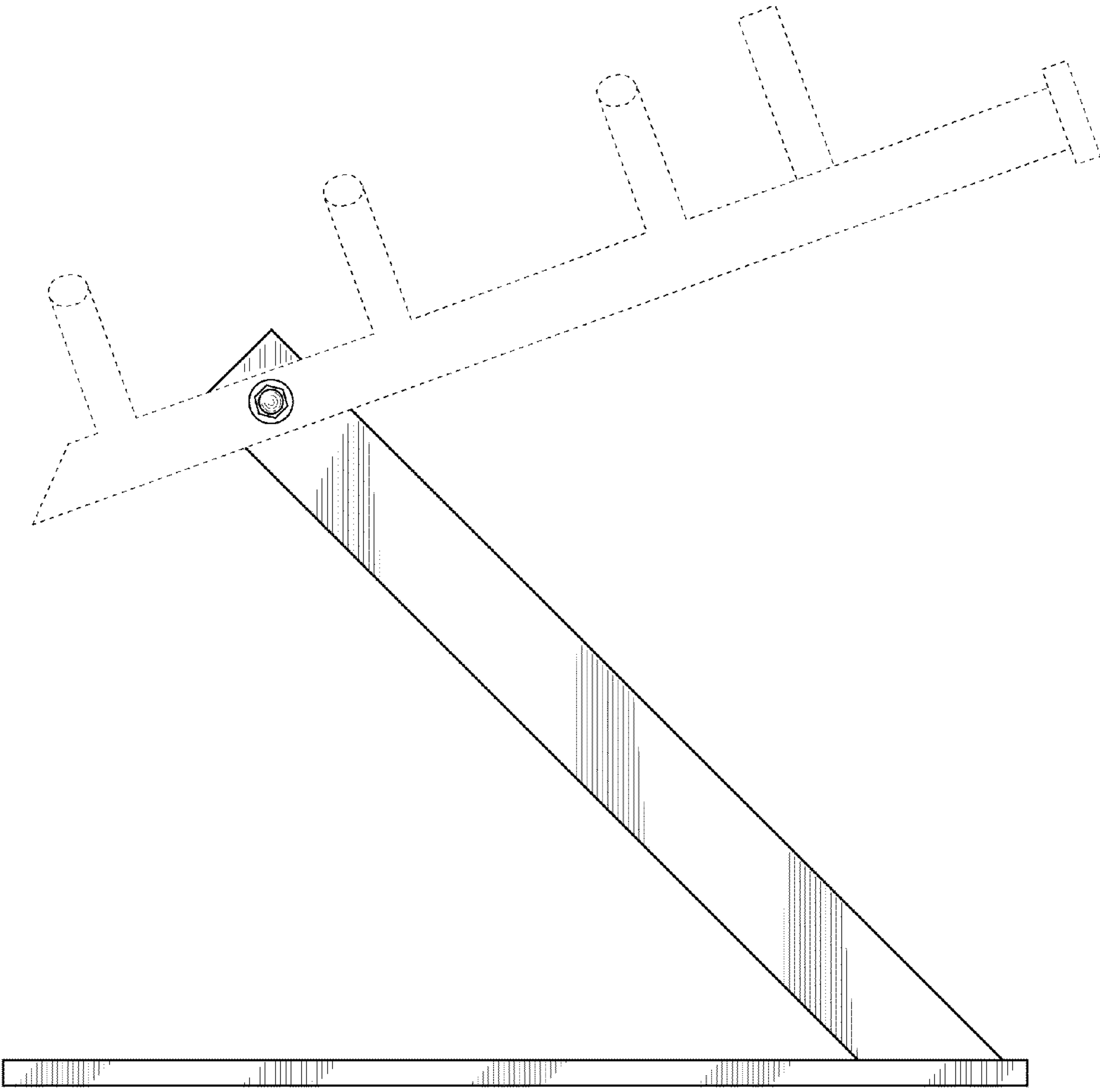


FIG. 3

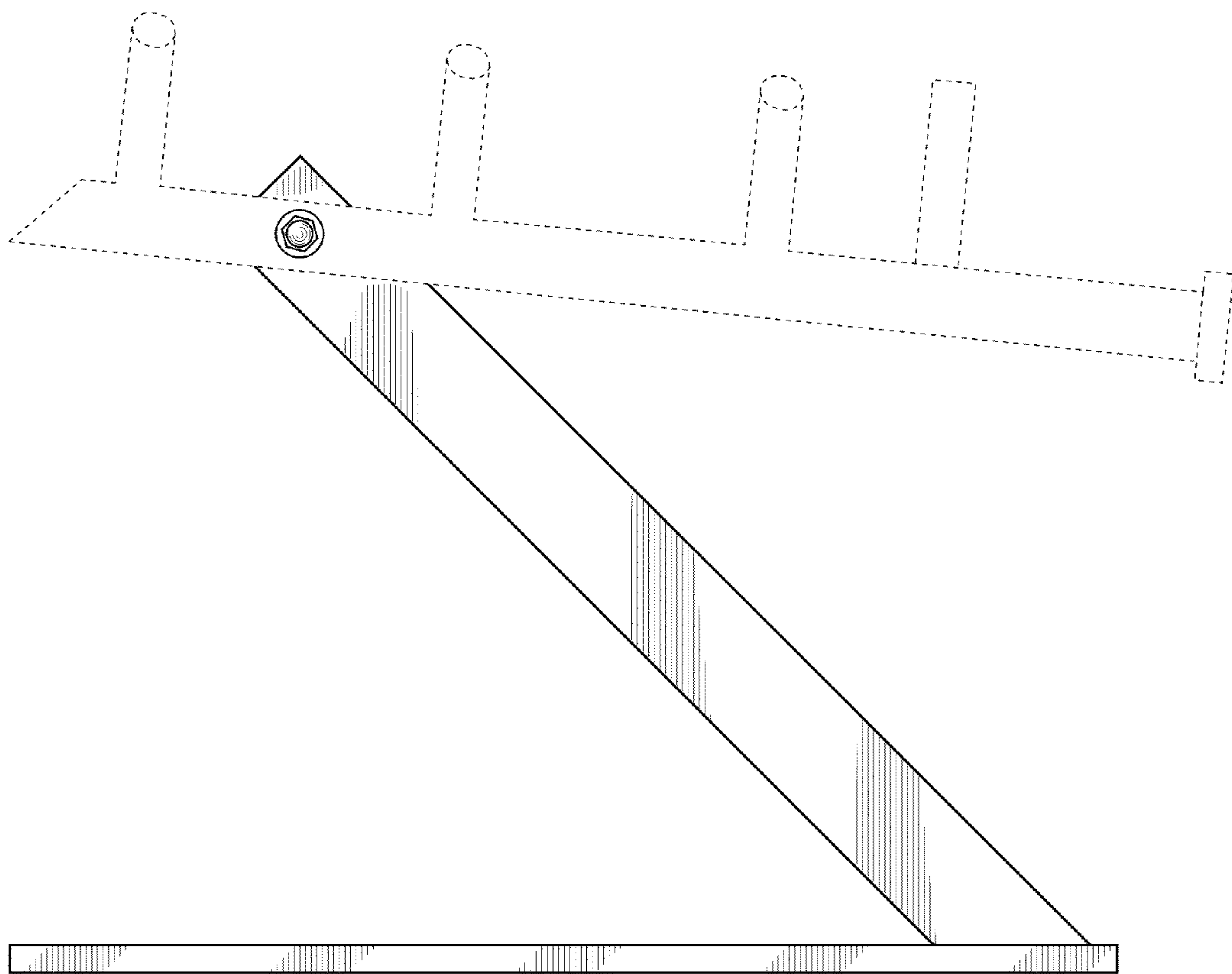


FIG. 4

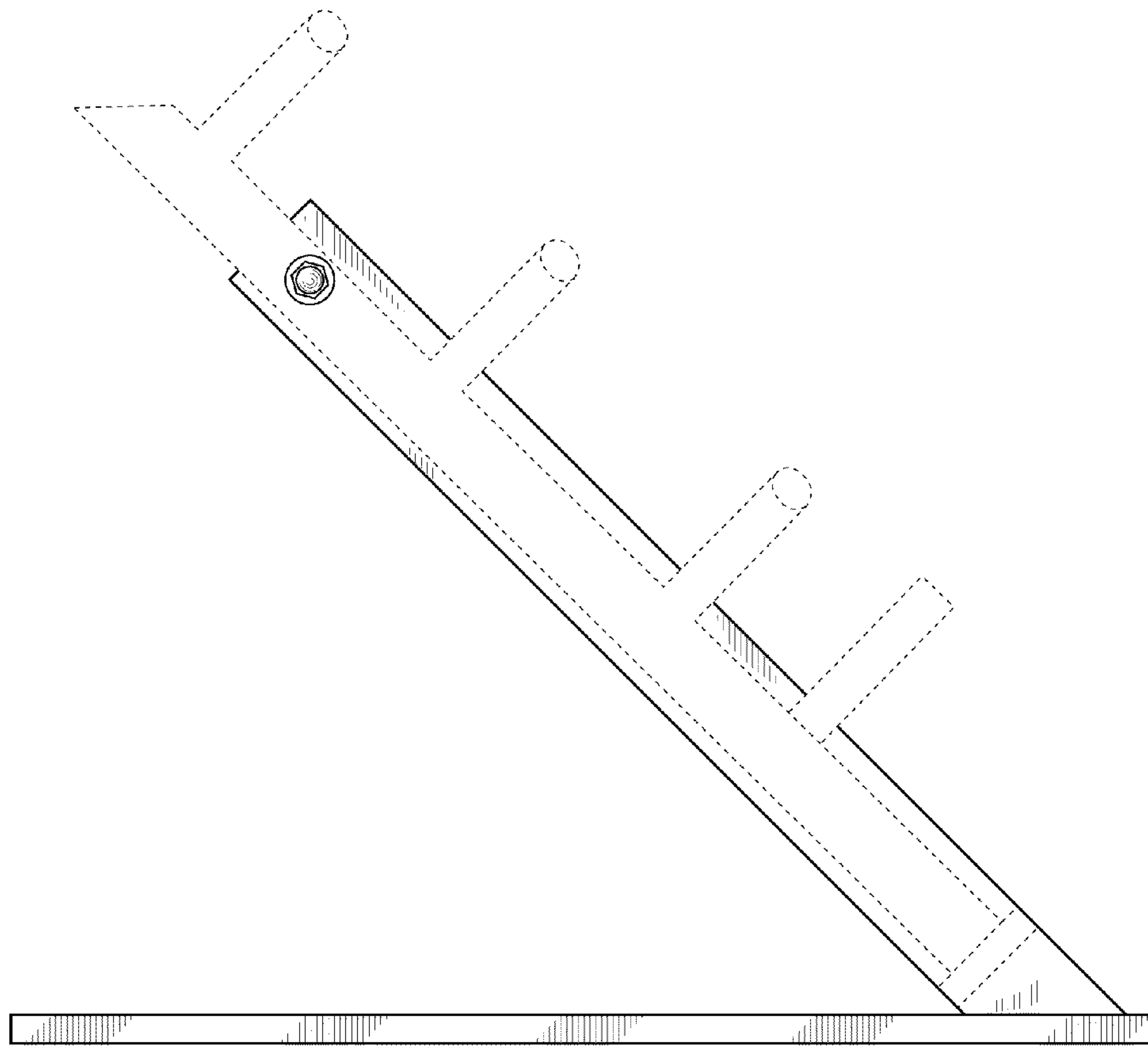


FIG. 5

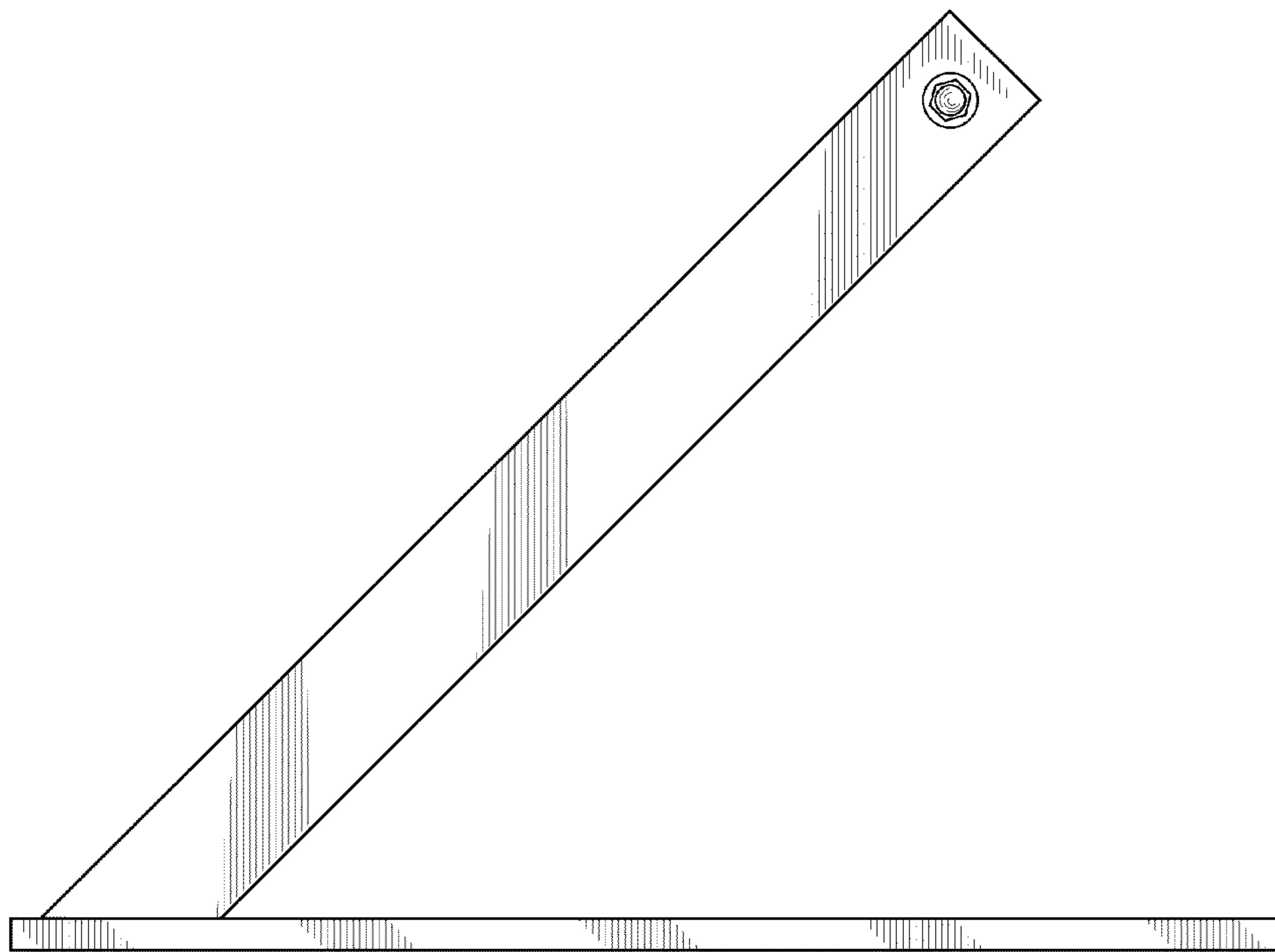


FIG. 6

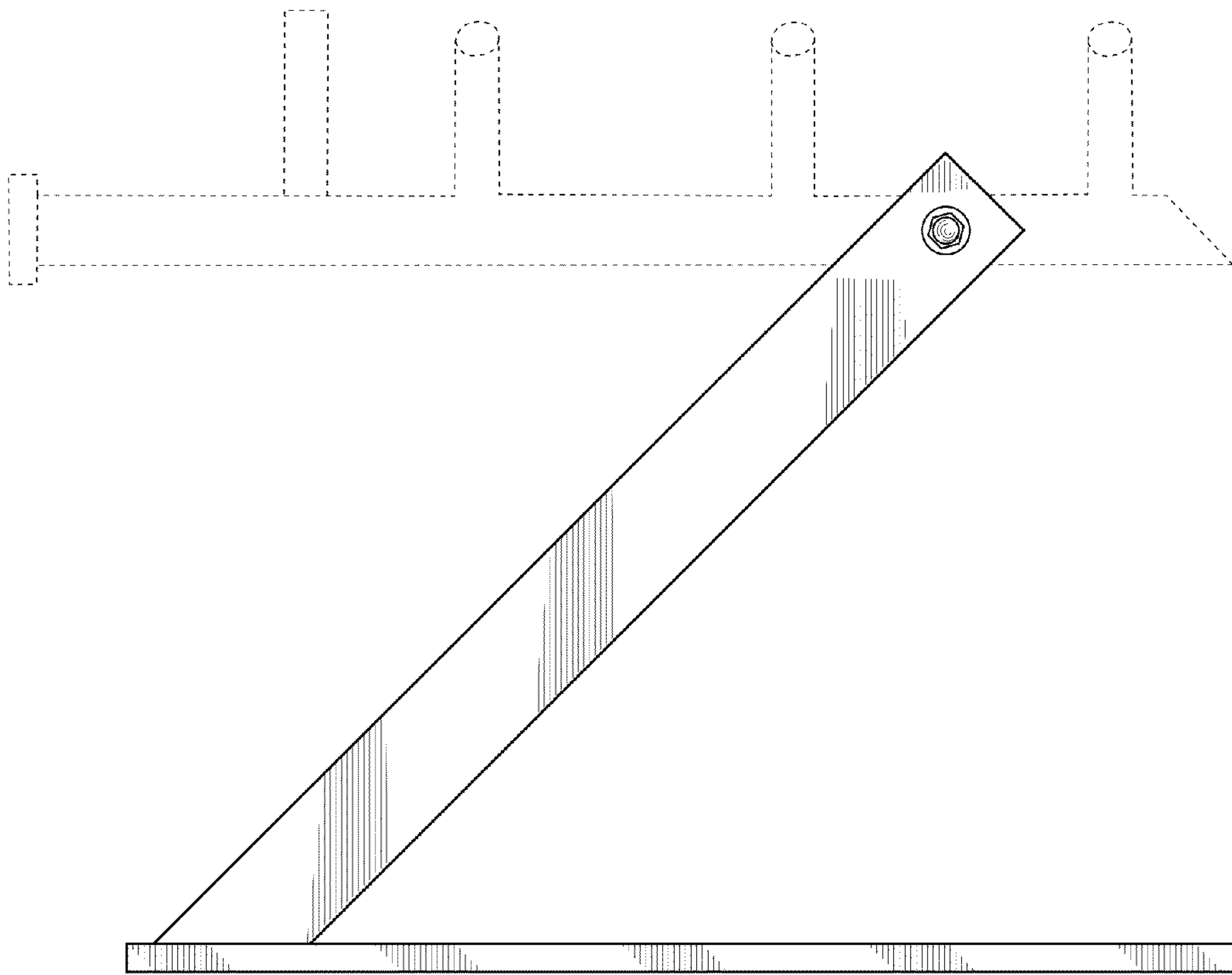


FIG. 7

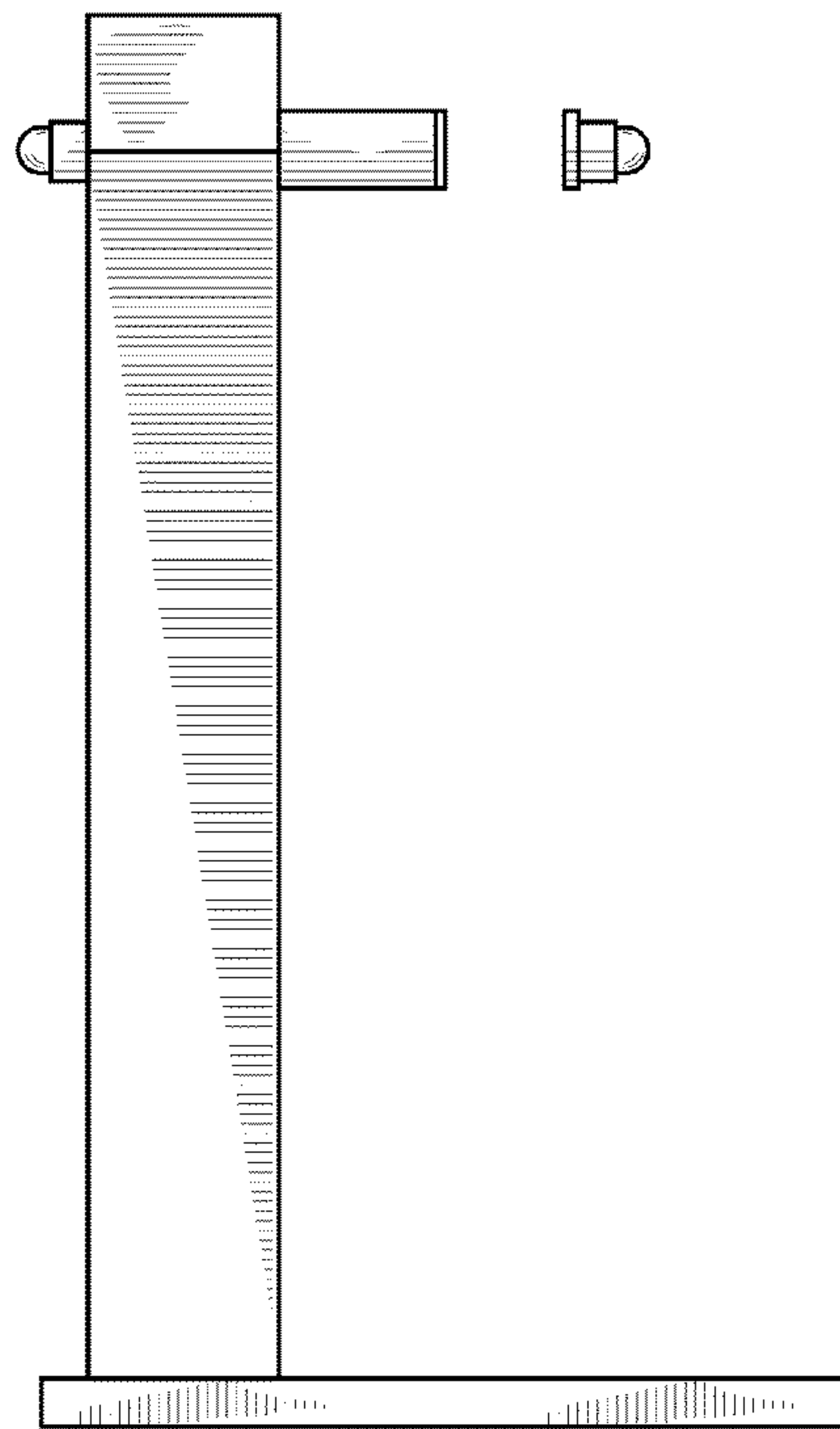


FIG. 8

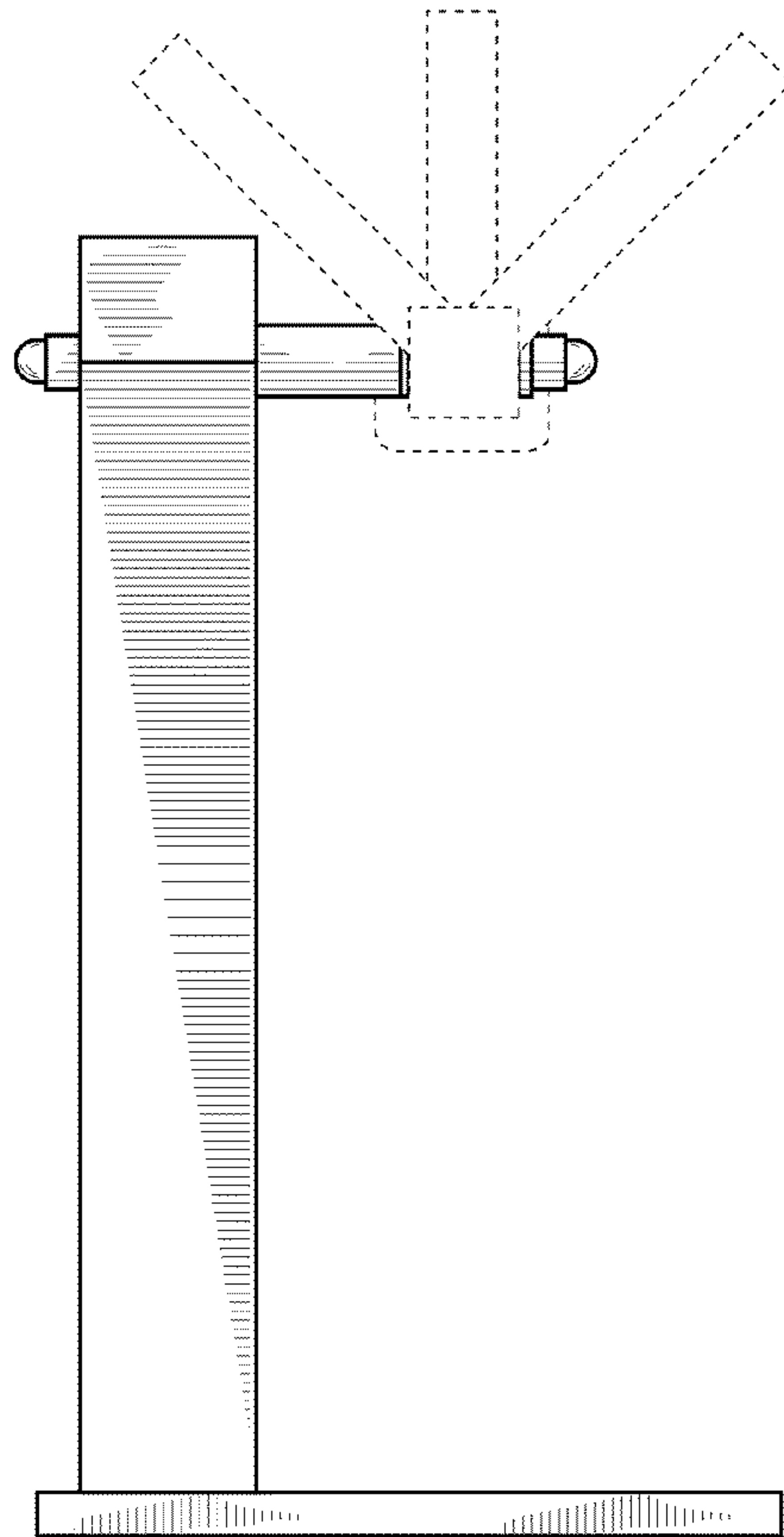


FIG. 9

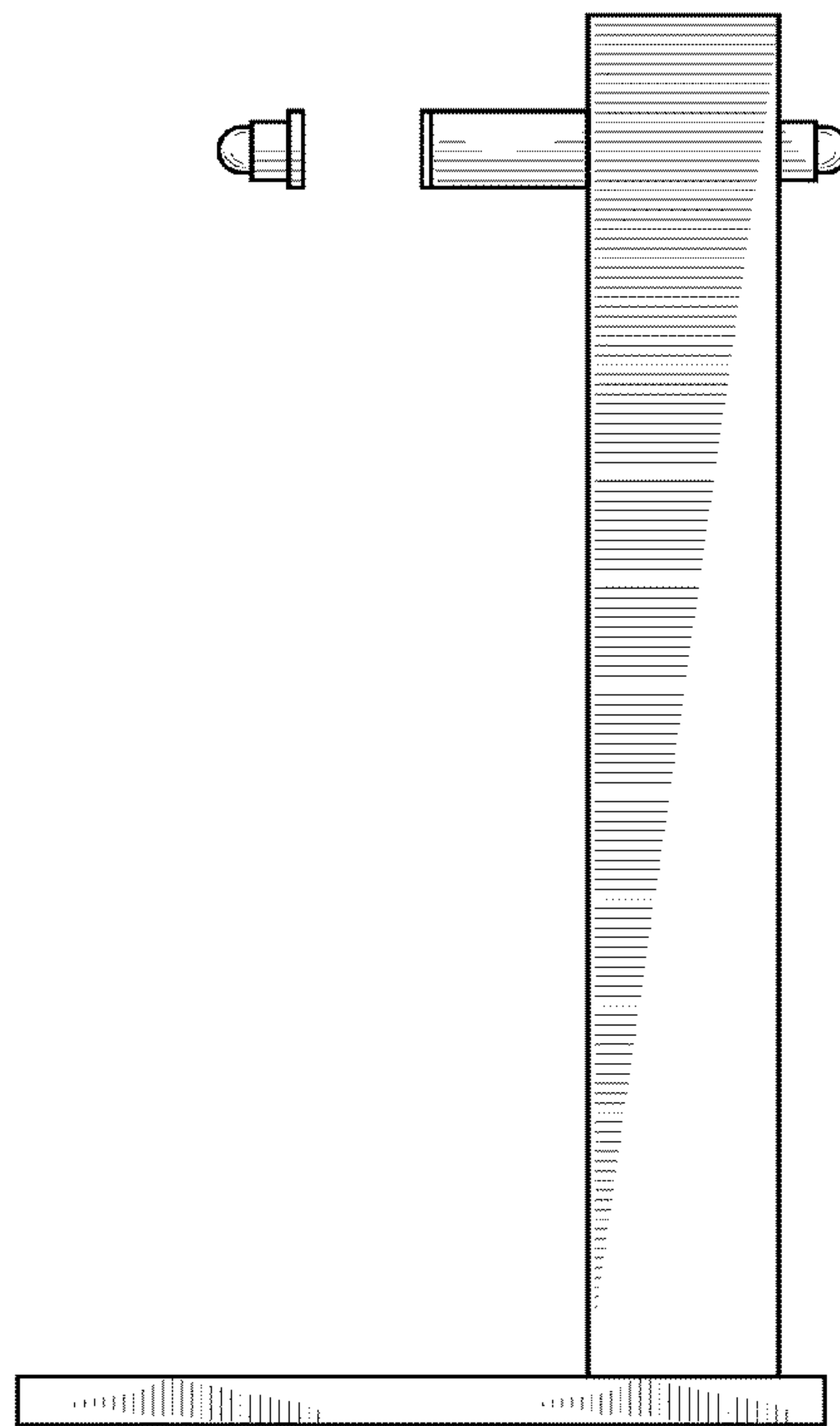


FIG. 10

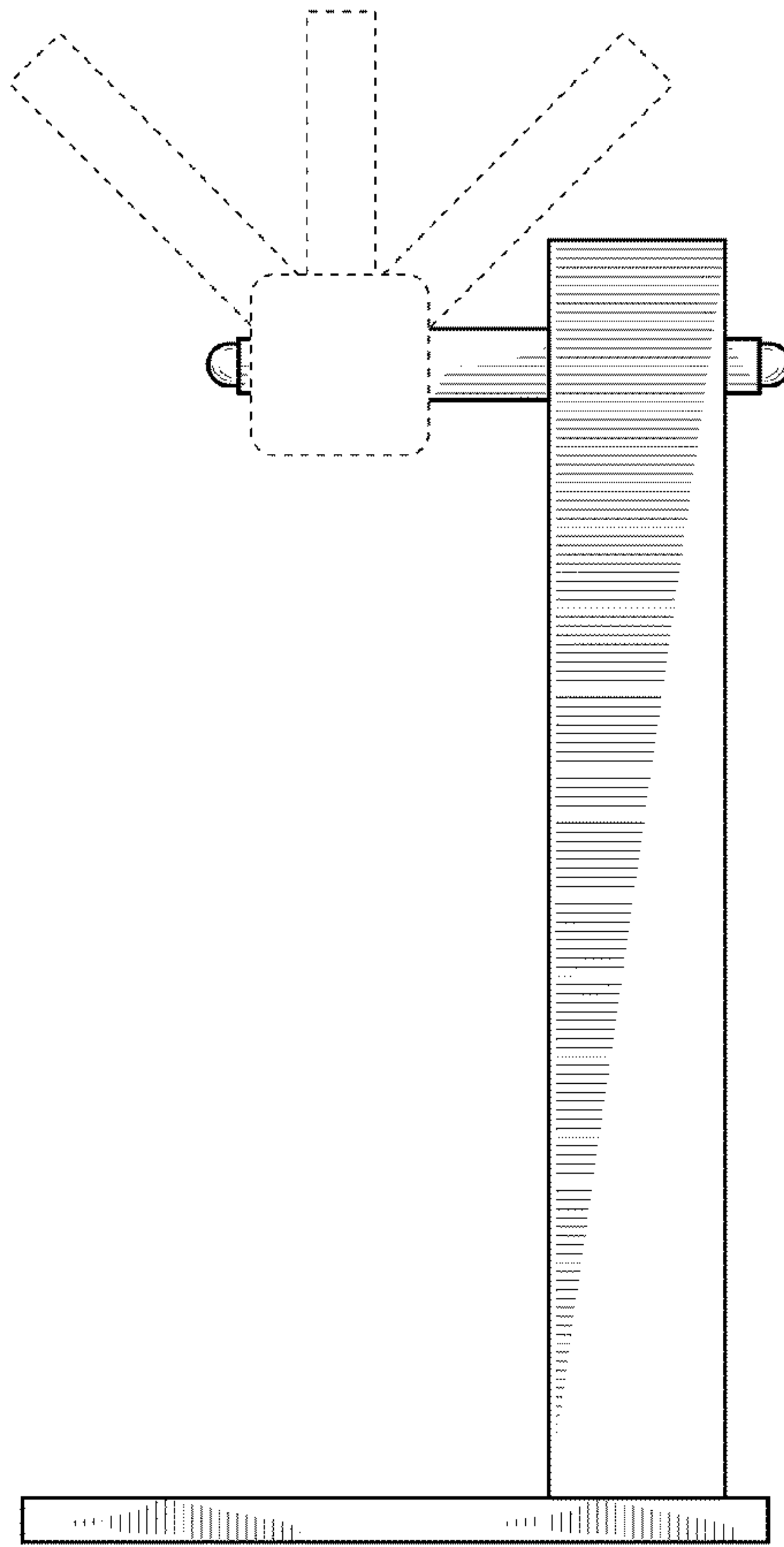


FIG. 11

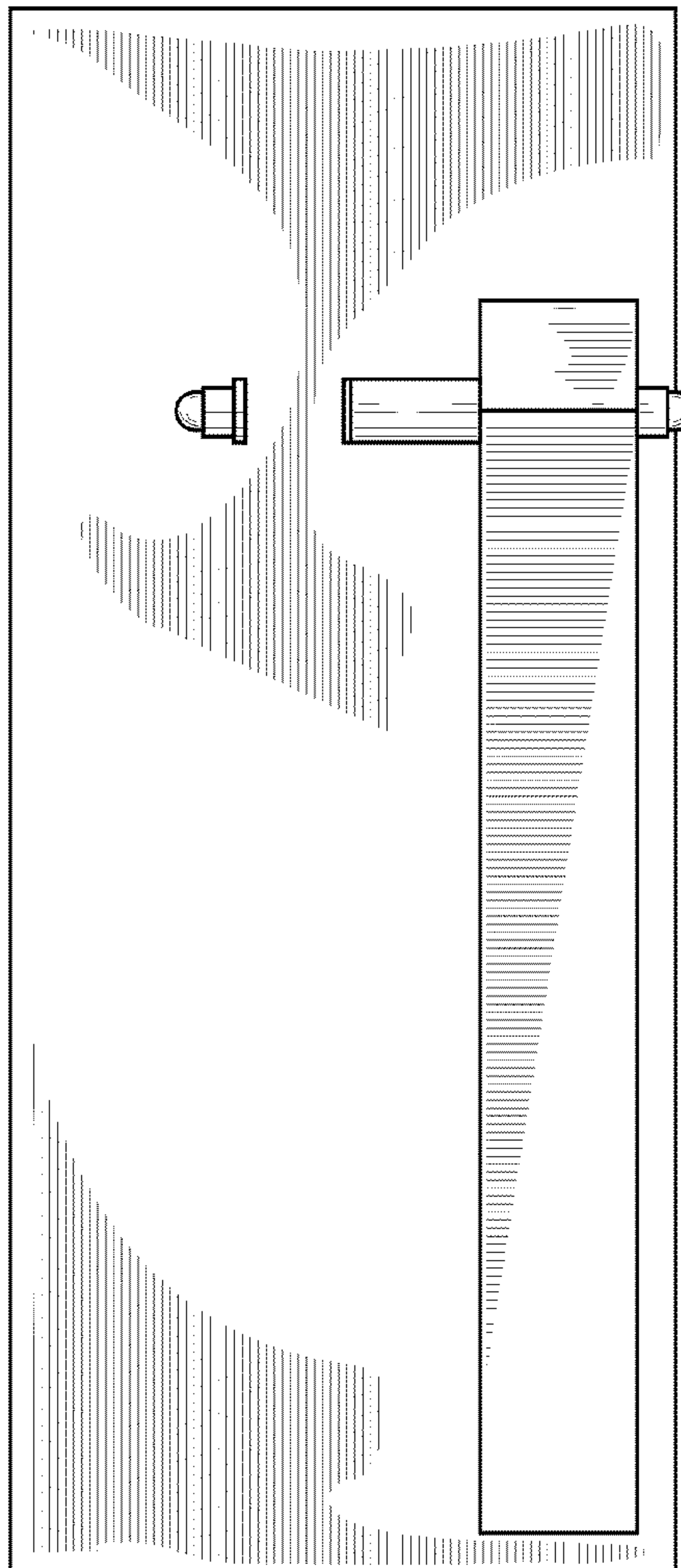


FIG. 12

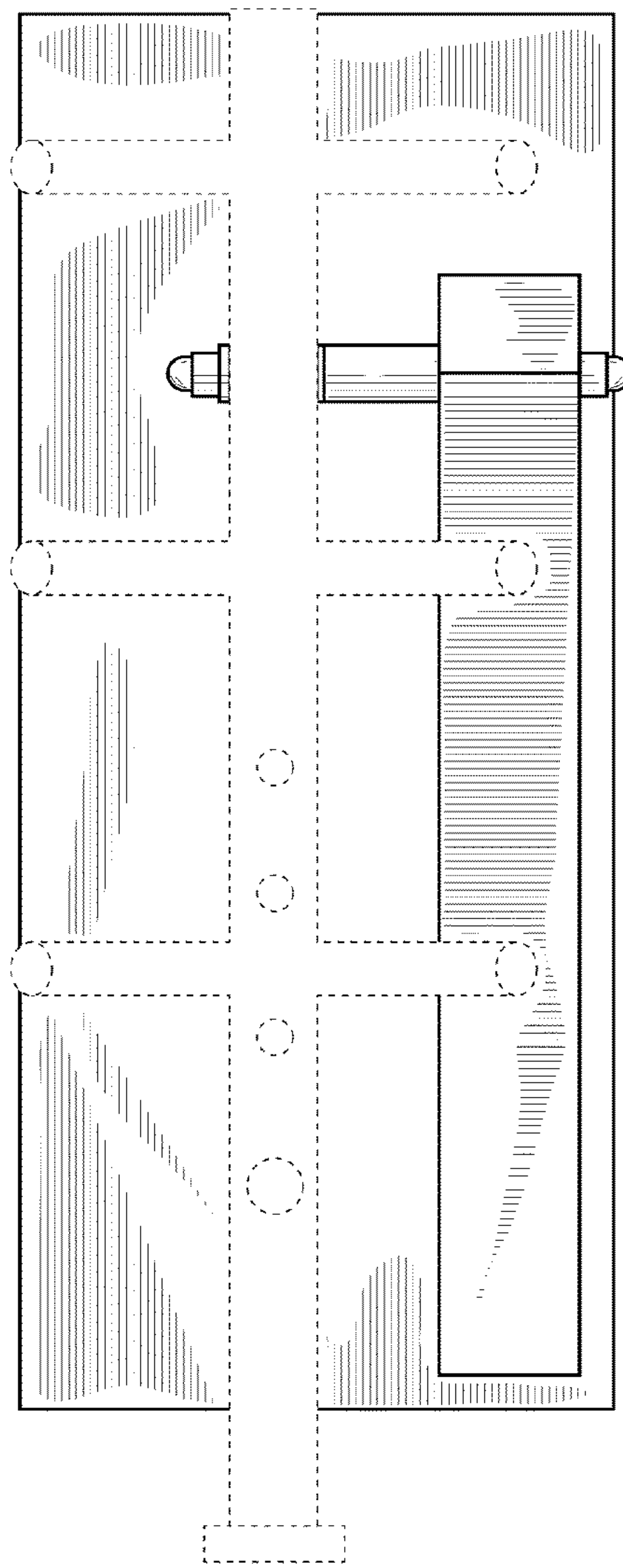


FIG. 13

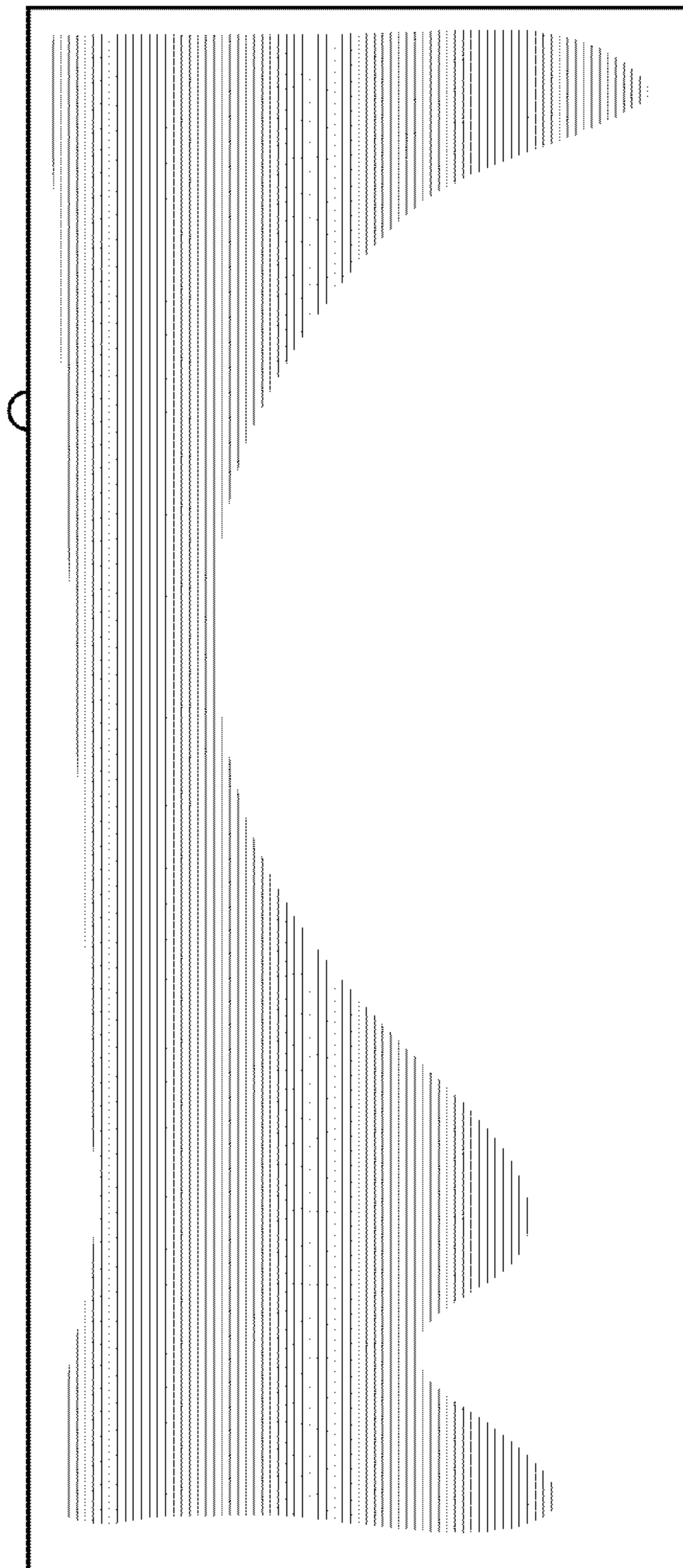


FIG. 14

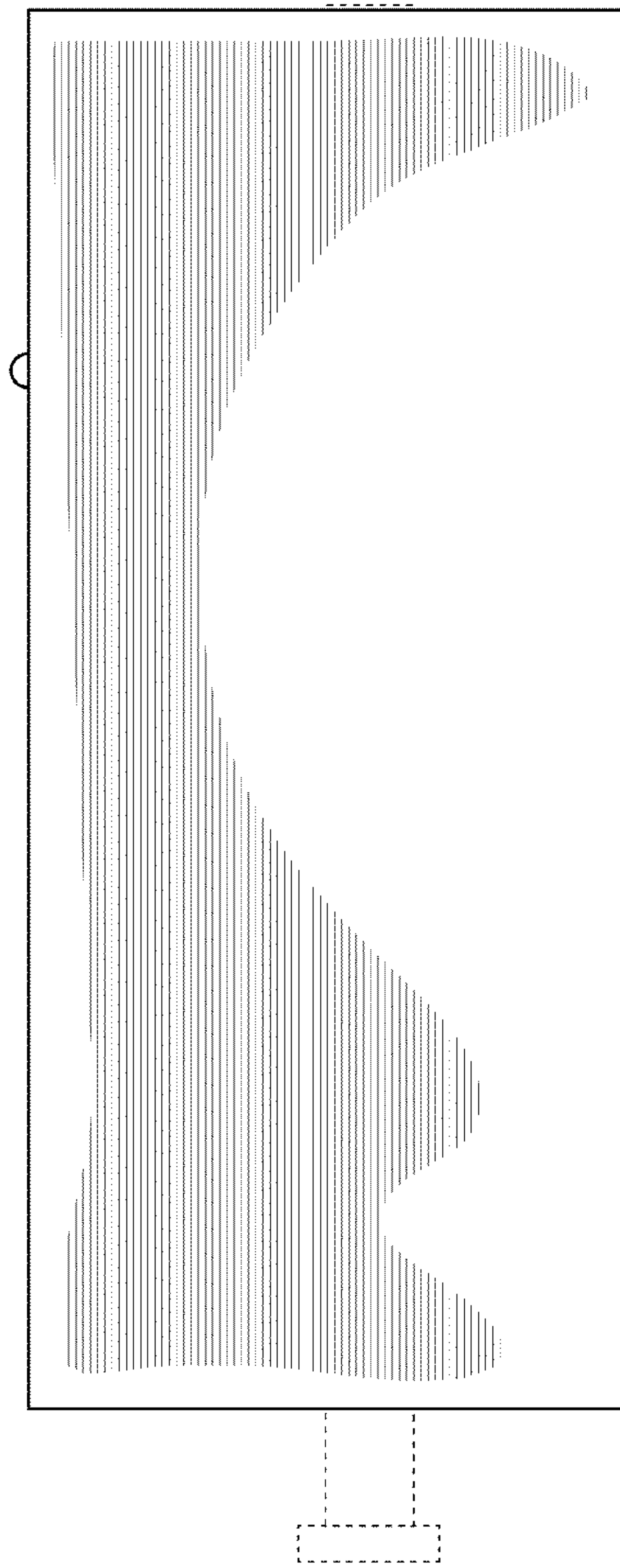


FIG. 15