



US00D731252S

(12) **United States Design Patent**  
**De Giorgio**

(10) **Patent No.:** **US D731,252 S**  
(45) **Date of Patent:** **\*\* Jun. 9, 2015**

(54) **BOTTLE BASKET FOR A DECANTING CRADLE**

(75) Inventor: **Carmelino De Giorgio**, Ebikon (CH)

(73) Assignee: **Officina Gourmet GmbH**, Lucerne (CH)

(\*\*) Term: **14 Years**

(21) Appl. No.: **29/411,268**

(22) Filed: **Jan. 18, 2012**

(30) **Foreign Application Priority Data**

Jul. 19, 2011 (CH) ..... 138209

(51) **LOC (10) Cl.** ..... **07-06**

(52) **U.S. Cl.**  
USPC ..... **D7/619.1**

(58) **Field of Classification Search**

USPC ..... D7/589, 621, 314, 622, 601-603, 607, D7/608, 620, 619.1, 642.3, 605, 704, 536; 248/139, 133, 141, 146, 138, 127, 128; 222/166, 91; 211/81, 74, 85.4, 75, 211/85.18, 85.22; 215/399; 210/515; 141/64, 45; 362/101, 802; 206/139  
CPC ... A47G 23/0241; A47G 23/02; A47G 23/03; A47F 5/0006; A47F 5/081; A47F 5/0087; A47F 5/0093; A47F 5/12; A47F 5/13; A47F 5/132; B01F 2215/0072; Y10S 362/802; B65G 65/24; B67D 1/04; B67D 1/0885; B67D 1/0412; B67D 1/1252; B67D 3/0032; B67D 2001/0825; B67C 9/00; A47B 73/00; A47B 73/002; A47B 73/004; A47B 73/006; A47B 73/008; A47B 96/06; A47B 96/07; A47B 96/067

See application file for complete search history.

(56) **References Cited**

U.S. PATENT DOCUMENTS

1,249,341	A *	12/1917	Cropsey	248/139
D102,904	S *	1/1937	Karsh	D7/314
D194,512	S *	2/1963	Donaldson	D32/58
D233,723	S *	11/1974	Guitierrez	D7/704
3,868,047	A *	2/1975	Bersano	222/166
4,150,806	A *	4/1979	Dziuk	248/154
4,162,015	A *	7/1979	Hodges	211/87.01
4,238,035	A *	12/1980	Kassanchuk	211/74
D257,935	S *	1/1981	Allan	D7/621
D261,345	S *	10/1981	Koeppel et al.	D7/621
D262,085	S *	12/1981	Petley	D7/621
4,317,551	A *	3/1982	Bishop	248/141

(Continued)

OTHER PUBLICATIONS

Carmelino De Giorgio, "Base portion of a decanting cradle", Design U.S. Appl. No. 29/411,266, filed Jan. 18, 2012.

(Continued)

*Primary Examiner* — Ian Simmons

*Assistant Examiner* — Shannon Morgan

(74) *Attorney, Agent, or Firm* — Smartpat PLC; Axel Nix

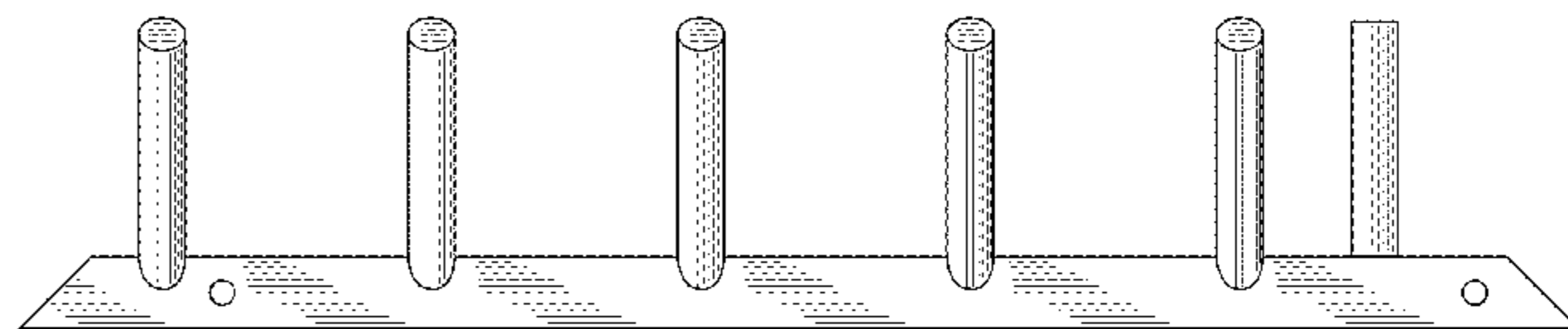
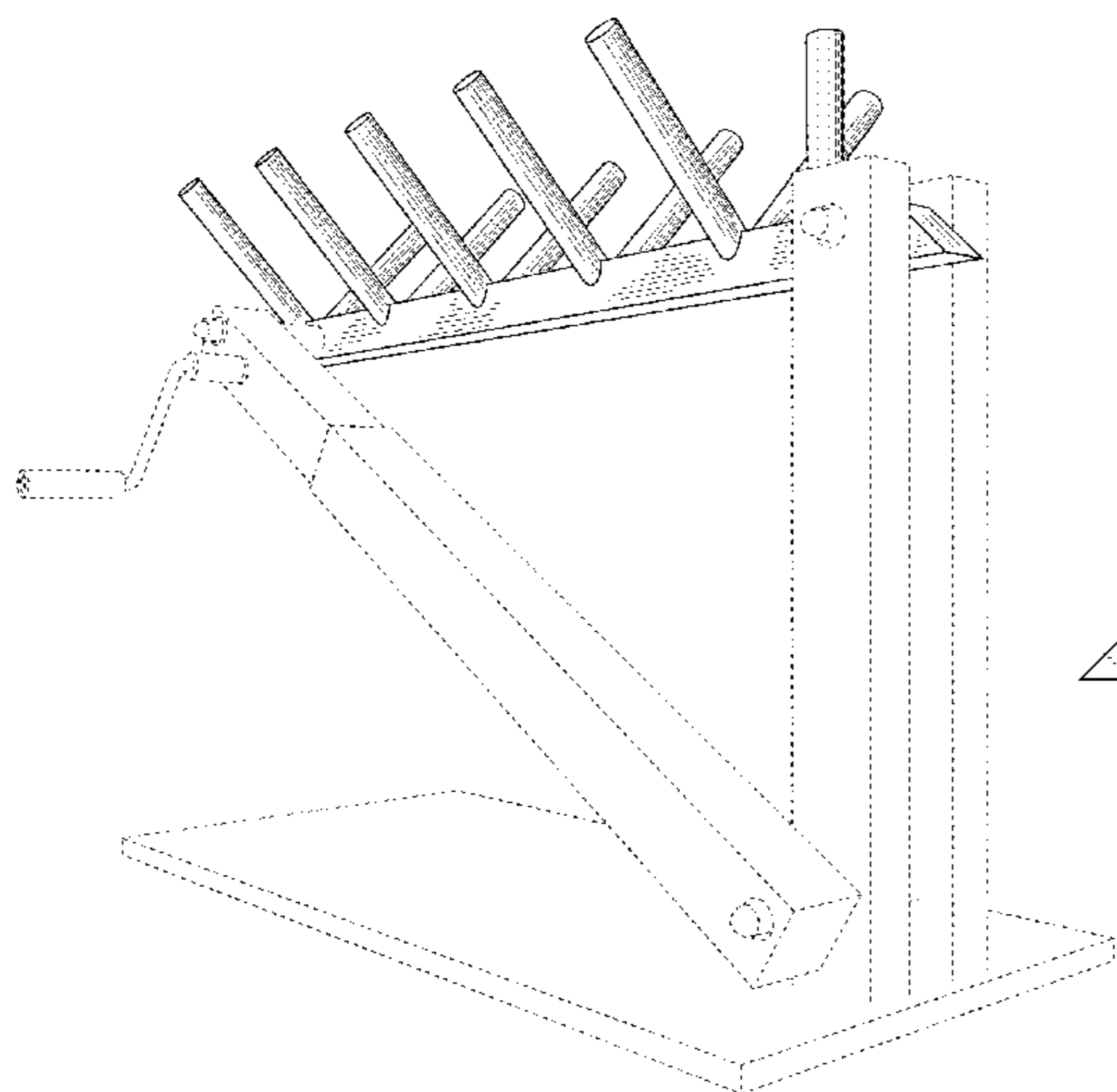
(57) **CLAIM**

I claim the ornamental design for a bottle basket for a decanting cradle, as shown and described.

**DESCRIPTION**

FIG. 1 is a perspective top, rear and left side view of a bottle basket for a decanting cradle showing my new design; FIG. 2 is a left side elevational view of a bottle basket for a decanting cradle, the right being a mirror image thereof; FIG. 3 is a front elevational view thereof; FIG. 4 is a rear elevational view thereof; FIG. 5 is a top plan view thereof; and, FIG. 6 is a bottom plan view thereof. The broken line showing of a base for a decanting cradle in FIG. 1 is included for the purpose of illustrating environmental structure that forms no part of the claimed design.

**1 Claim, 5 Drawing Sheets**



(56)

**References Cited**

U.S. PATENT DOCUMENTS

4,836,476 A \* 6/1989 Wolf ..... 248/146  
D322,343 S \* 12/1991 Percy ..... D32/58  
D449,414 S \* 10/2001 James et al. .... D32/55  
D460,295 S \* 7/2002 Fissell et al. .... D6/467  
6,425,421 B1 \* 7/2002 Morrison ..... 141/64  
D465,891 S \* 11/2002 Brown ..... D32/55  
7,708,241 B2 \* 5/2010 Wiemholt ..... 248/138

D634,909 S \* 3/2011 Guthrie ..... D32/55  
D637,815 S \* 5/2011 Hsieh ..... D3/313  
8,496,139 B2 \* 7/2013 Nishino ..... 222/91

OTHER PUBLICATIONS

Carmelino De Giorgio, "Base portion of a decanting cradle", Design U.S. Appl. No. 29/411,267, filed Jan. 18, 2012.  
Carmelino De Giorgio, "Bottle basket portion of a decanting cradle", Design U.S. Appl. No. 29/411,269, filed Jan. 18, 2012.

\* cited by examiner

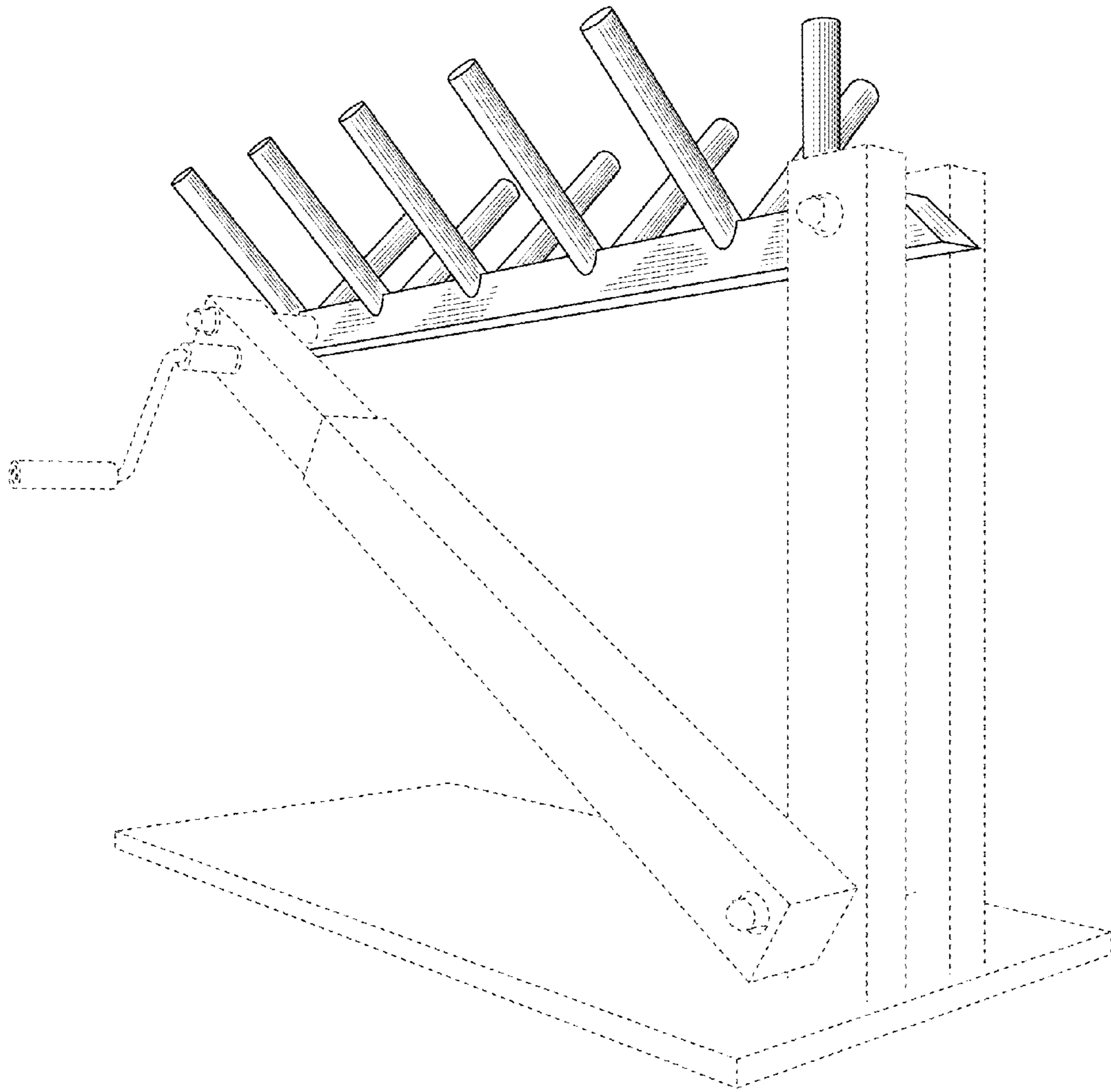


FIG. 1

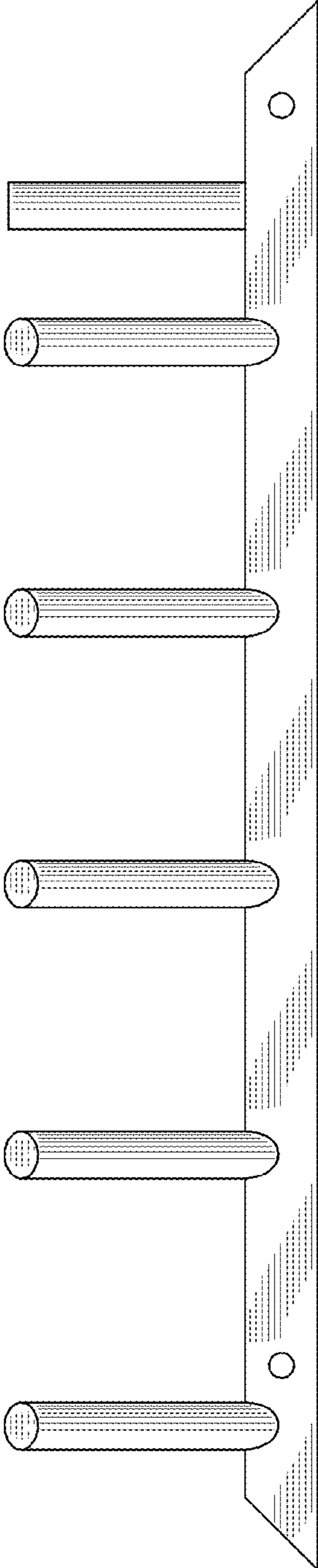


FIG. 2

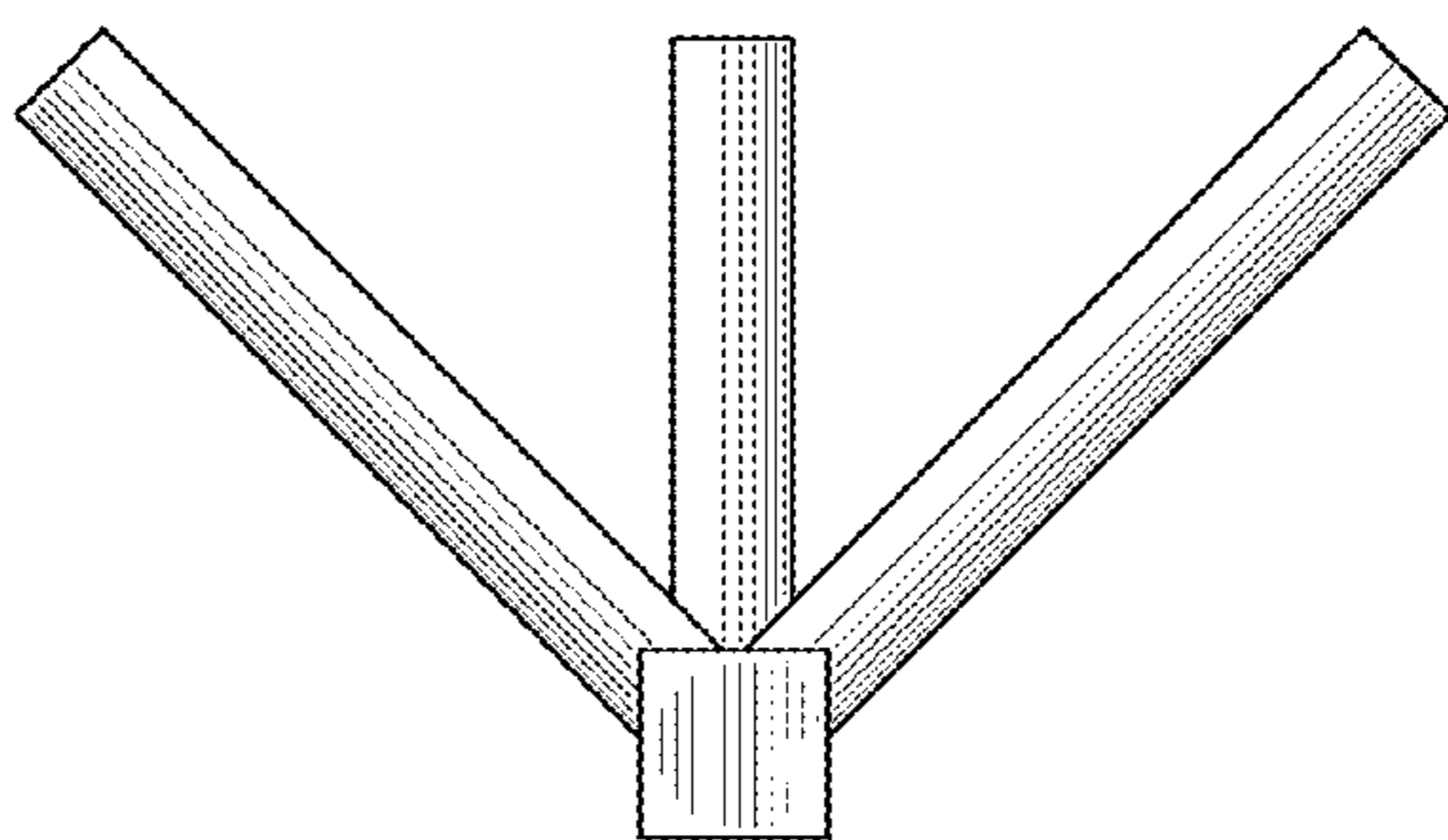


FIG. 3

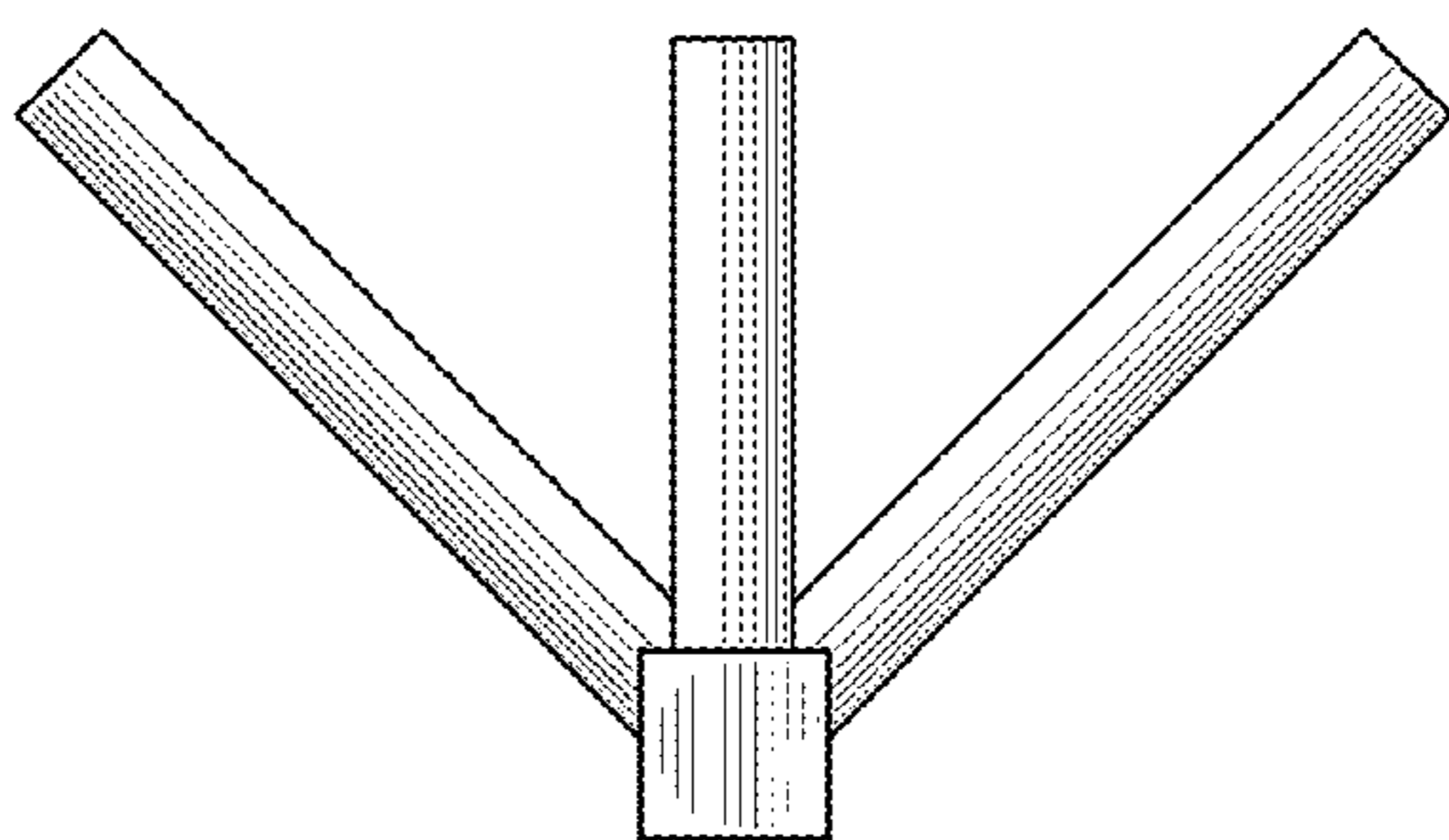


FIG. 4

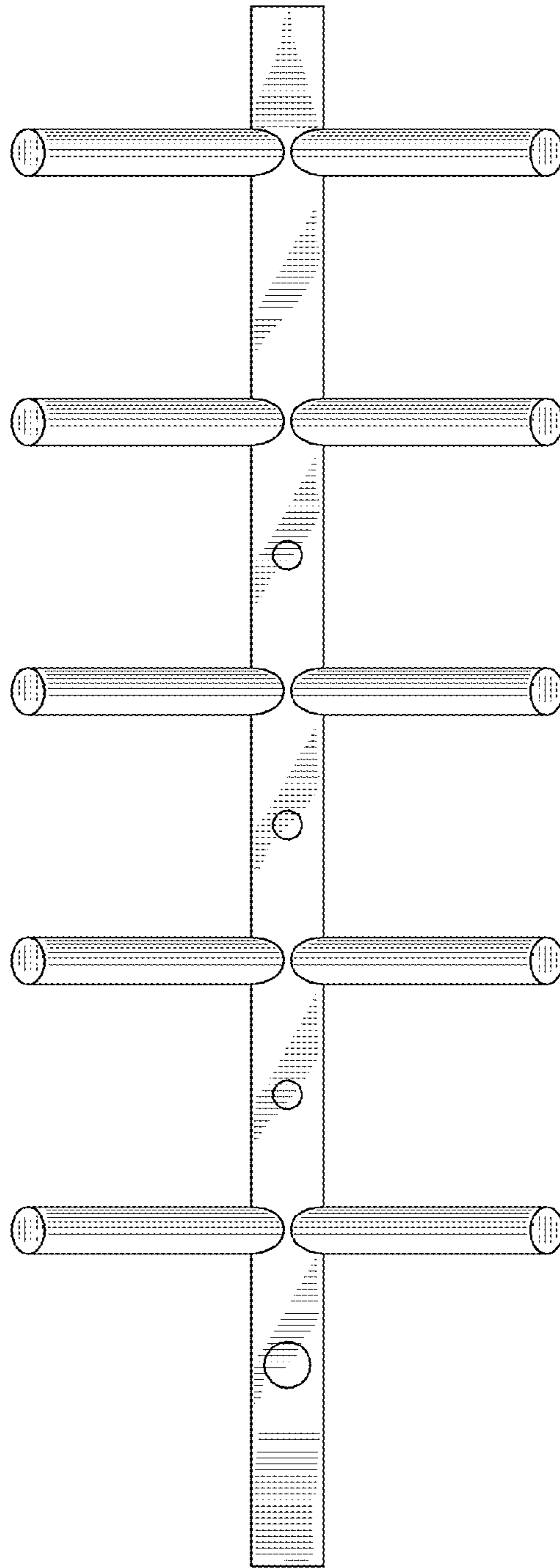


FIG. 5

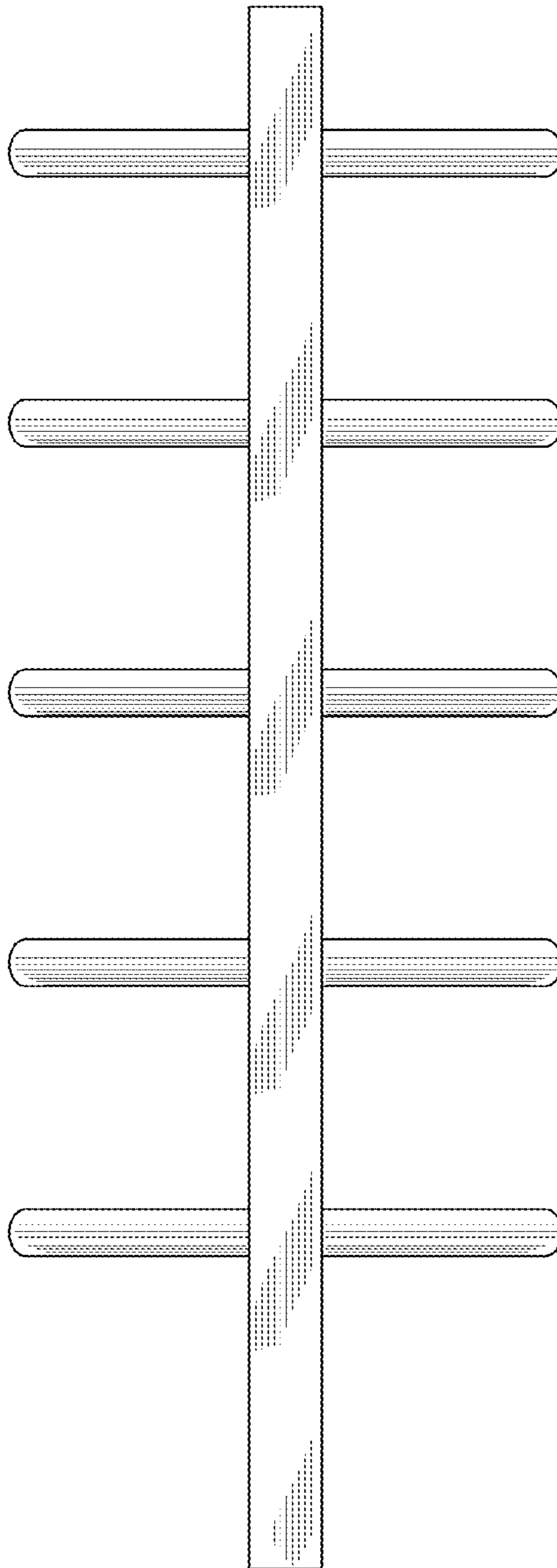


FIG. 6