



US00D731250S

(12) **United States Design Patent**
Butler et al.

(10) **Patent No.:** **US D731,250 S**
(45) **Date of Patent:** **** Jun. 9, 2015**

- (54) **COOLER INSULATING WRAP**
- (71) Applicants: **Jordan Butler**, Hitchcock, TX (US);
James Ostermayer, Galveston, TX (US)
- (72) Inventors: **Jordan Butler**, Hitchcock, TX (US);
James Ostermayer, Galveston, TX (US)

(**) Term: **14 Years**

(21) Appl. No.: **29/486,753**

(22) Filed: **Apr. 2, 2014**

(51) **LOC (10) Cl.** **07-01**

(52) **U.S. Cl.**
USPC **D7/605**

(58) **Field of Classification Search**
USPC D7/605–608, 387; 62/371, 372;
220/915.1, 915.2, 562.2, 592.01,
220/592.17–592.27, 592.03; 383/110, 109,
383/113
CPC F25D 2331/804; F25D 3/08; B65D 30/08
See application file for complete search history.

(56) **References Cited**

U.S. PATENT DOCUMENTS

- D426,745 S * 6/2000 Bavitz D7/605
- D560,102 S * 1/2008 Sumter D7/605
- D634,982 S * 3/2011 Melchert et al. D7/605

- 2005/0103044 A1* 5/2005 Mogil et al. 62/457.7
- 2005/0279123 A1* 12/2005 Maldonado et al. 62/457.7
- 2008/0229778 A1* 9/2008 Shelton 62/457.5
- 2009/0294455 A1* 12/2009 Pruchnicki 220/592.2
- 2009/0301511 A1* 12/2009 Vinci 62/457.2
- 2012/0132657 A1* 5/2012 Seiders 220/592.2

* cited by examiner

Primary Examiner — Terry Wallace

(74) *Attorney, Agent, or Firm* — Egbert Law Offices, PLLC

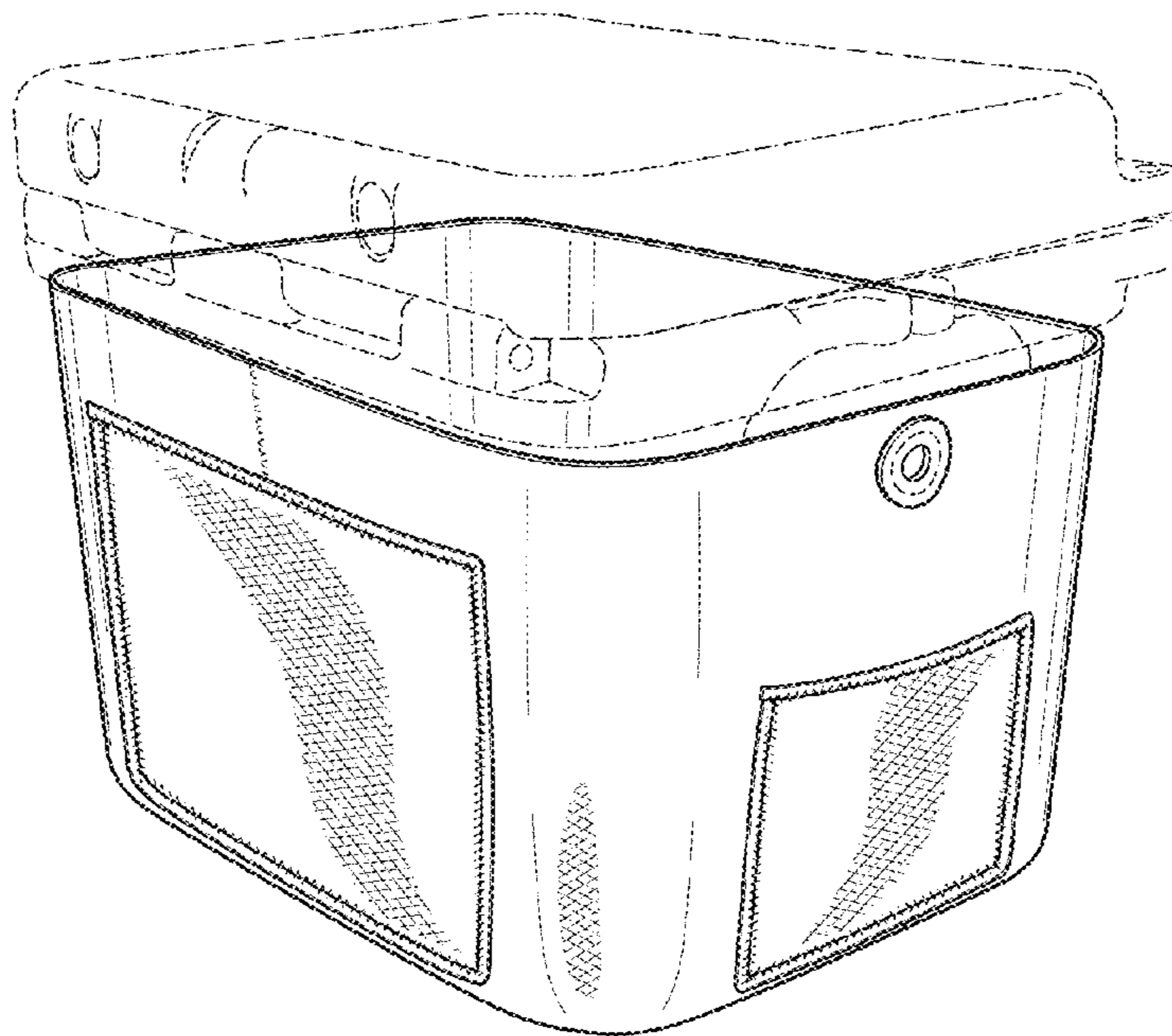
(57) **CLAIM**

The ornamental design for a cooler insulating wrap, as shown and described.

DESCRIPTION

FIG. 1 is a perspective view of the cooler insulating wrap showing our new design.
 FIG. 2 is a front view thereof;
 FIG. 3 is a rear view thereof;
 FIG. 4 is a side view thereof;
 FIG. 5 is an opposite side view thereof;
 FIG. 6 is a top view thereof;
 FIG. 7 is a bottom view thereof; and,
 FIG. 8 is a perspective view of the cooler insulating wrap showing articles in the pockets thereof.
 The broken line showing is included for the purpose of illustration and forms no part of the claimed design.

1 Claim, 3 Drawing Sheets



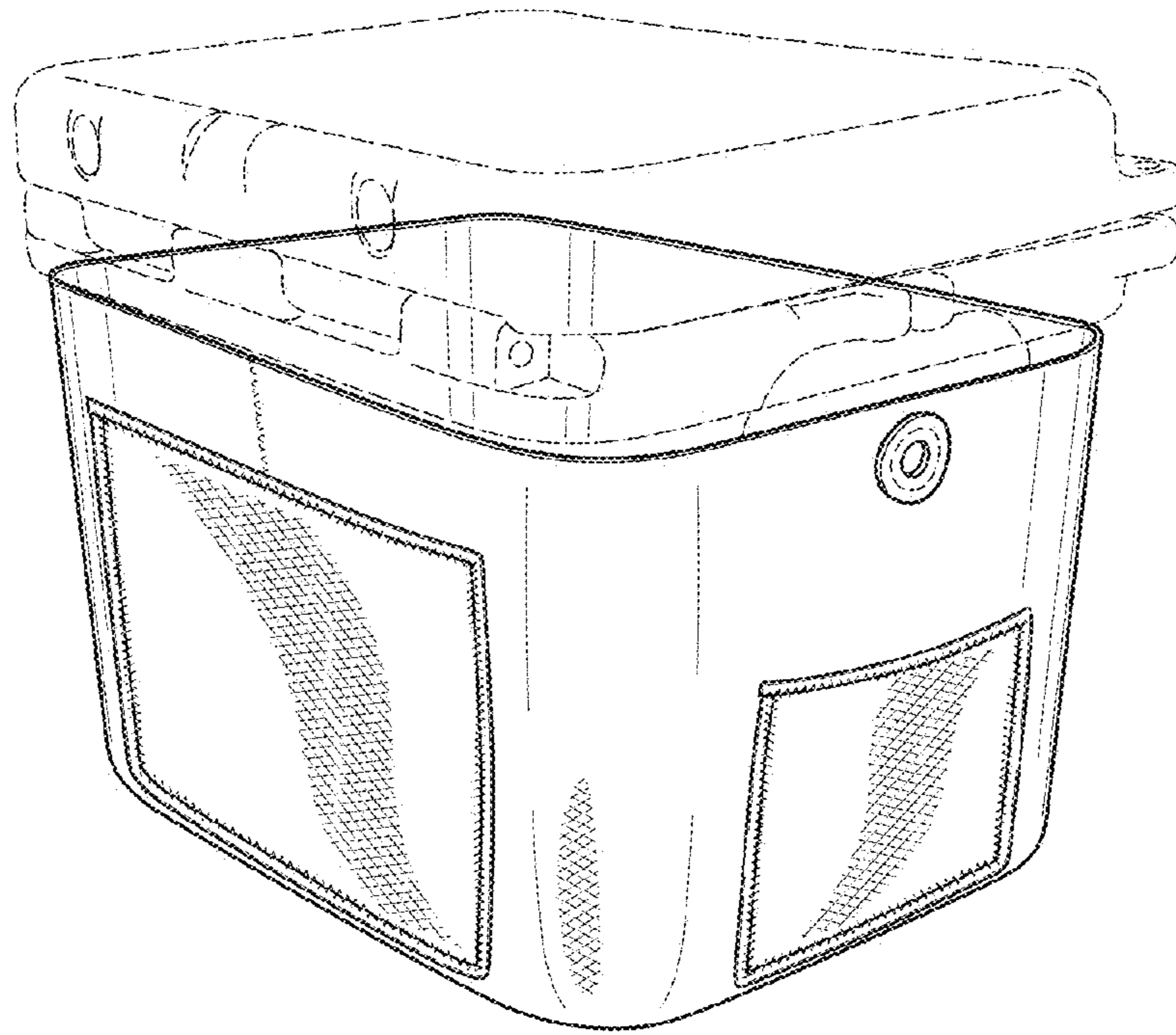


FIG. 1

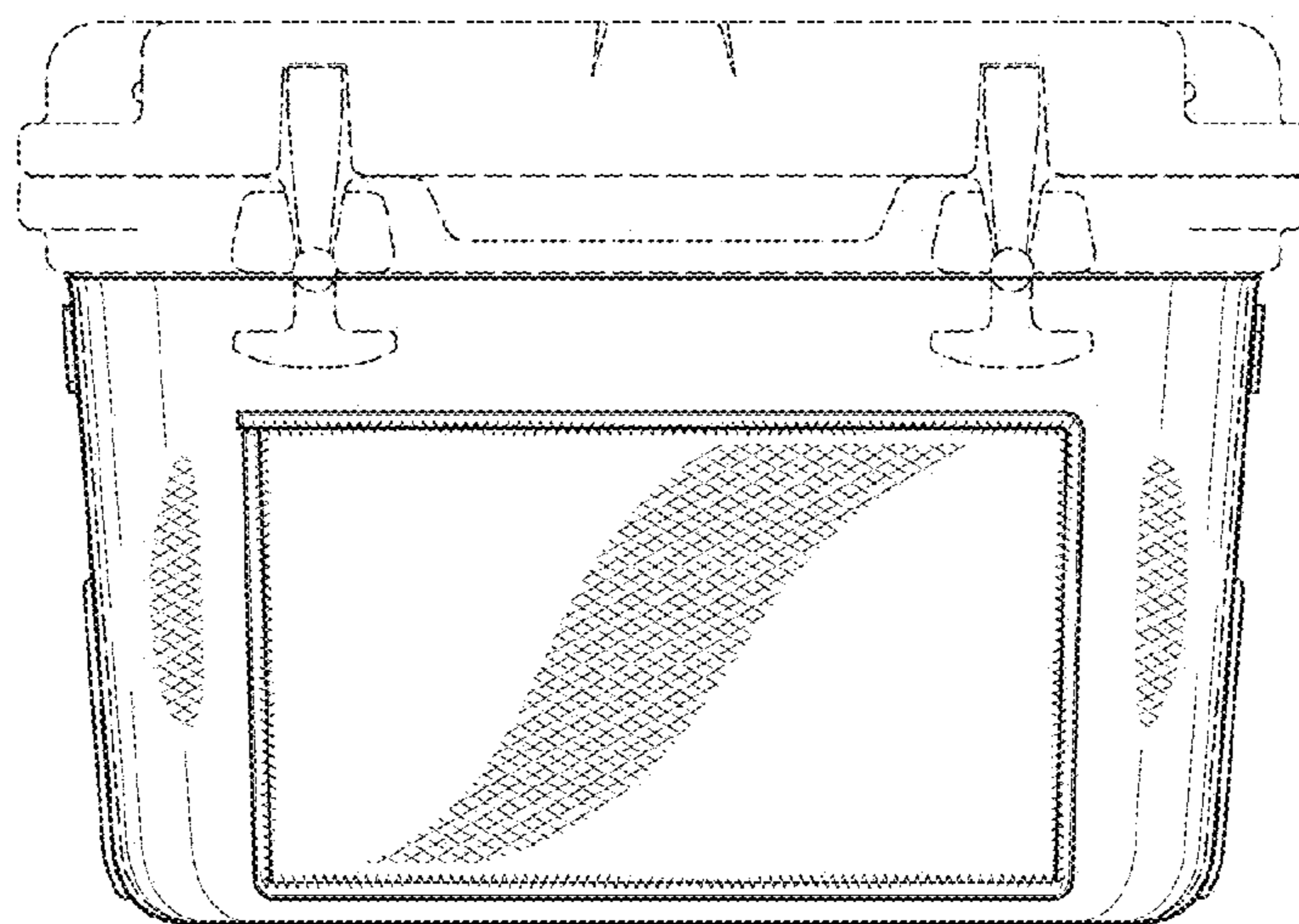


FIG. 2

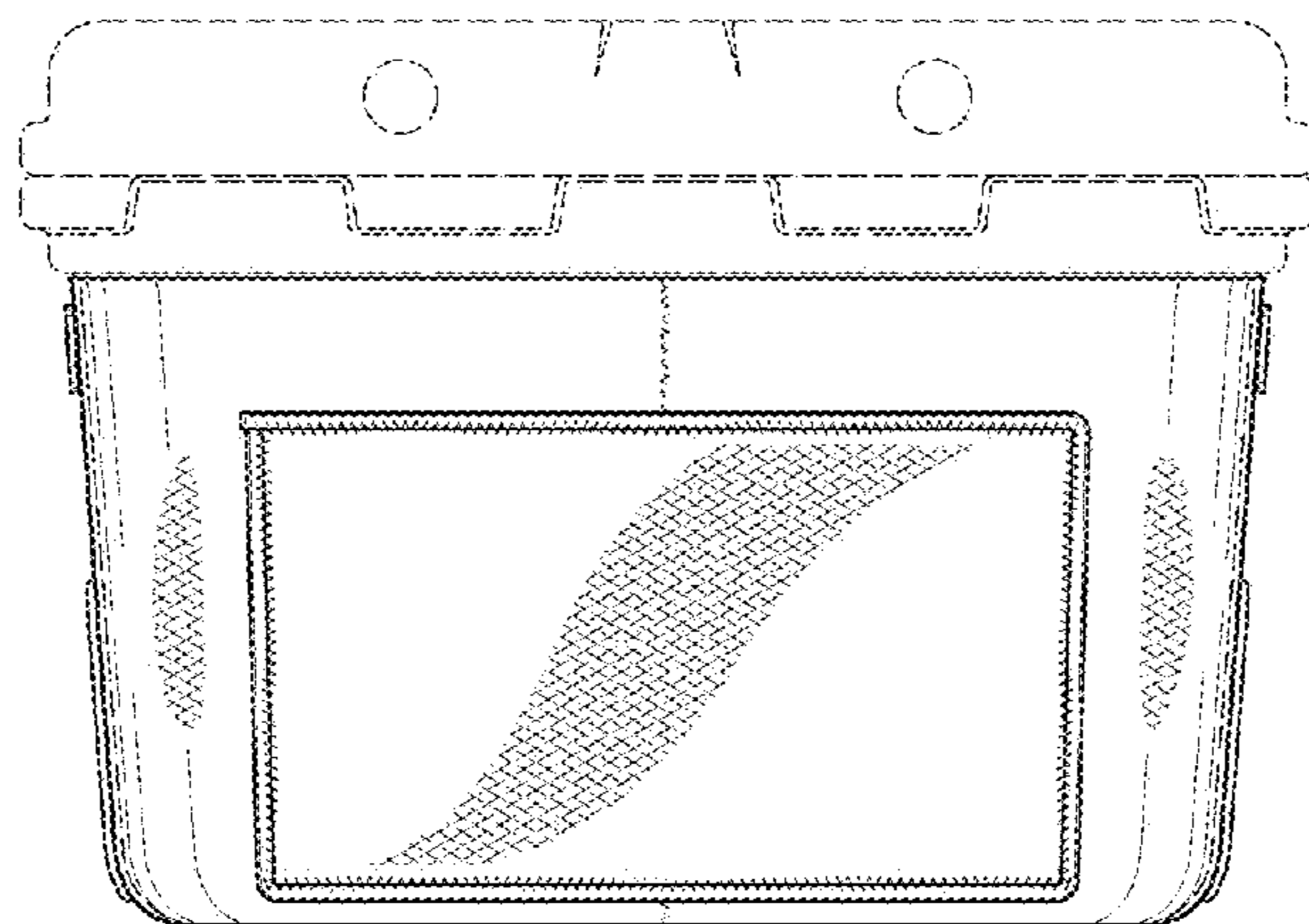


FIG. 3

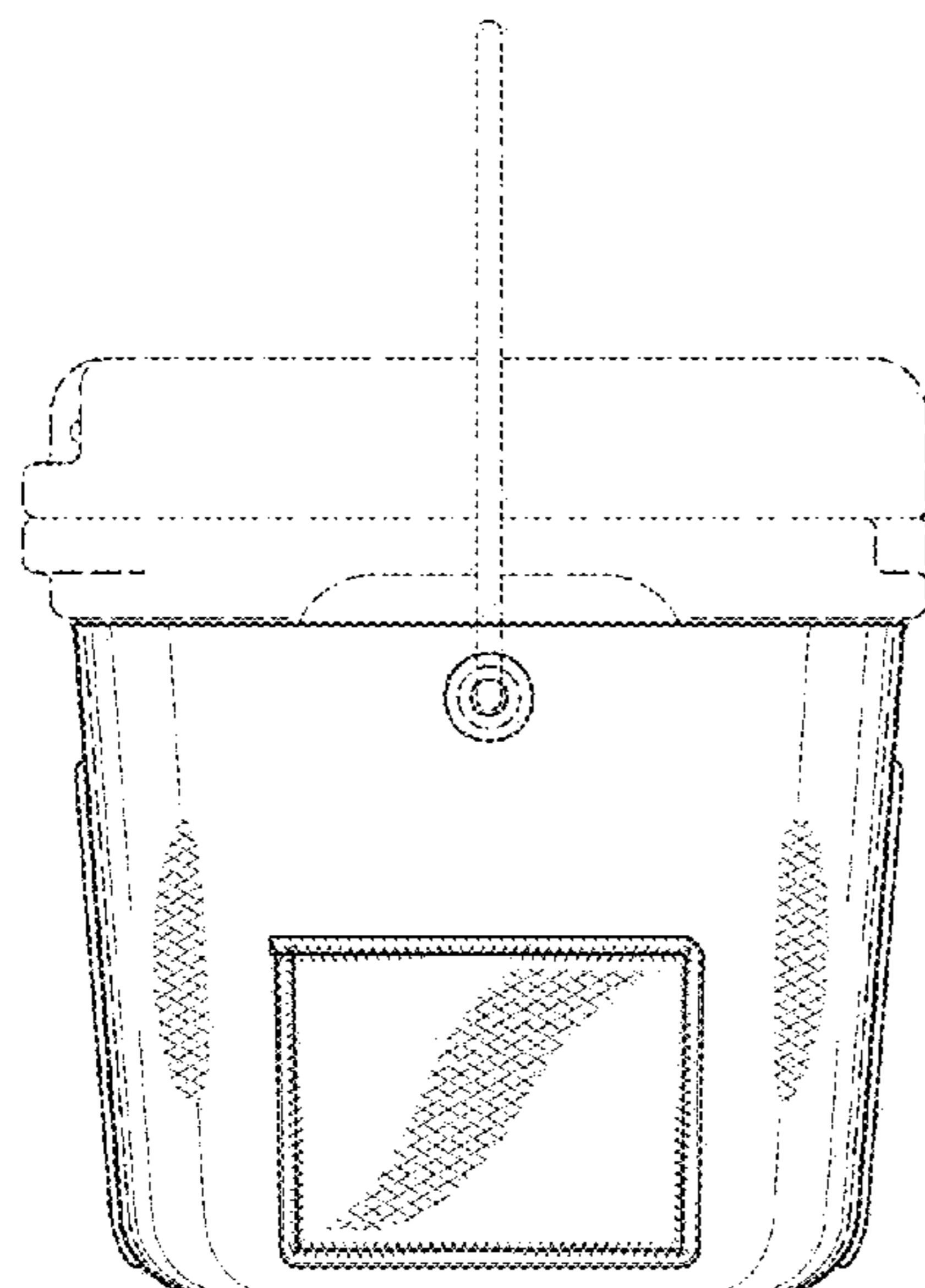


FIG. 4

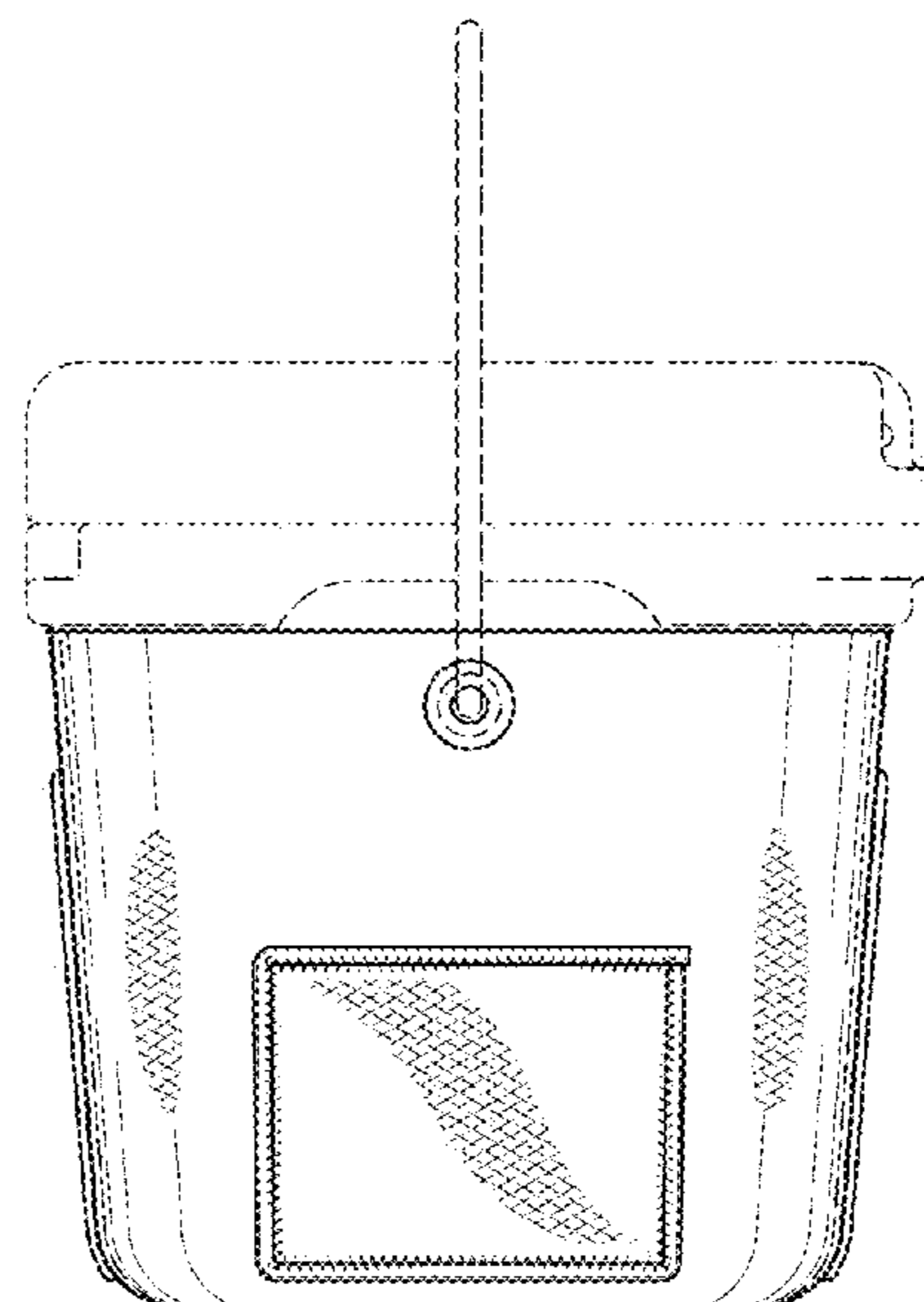


FIG. 5

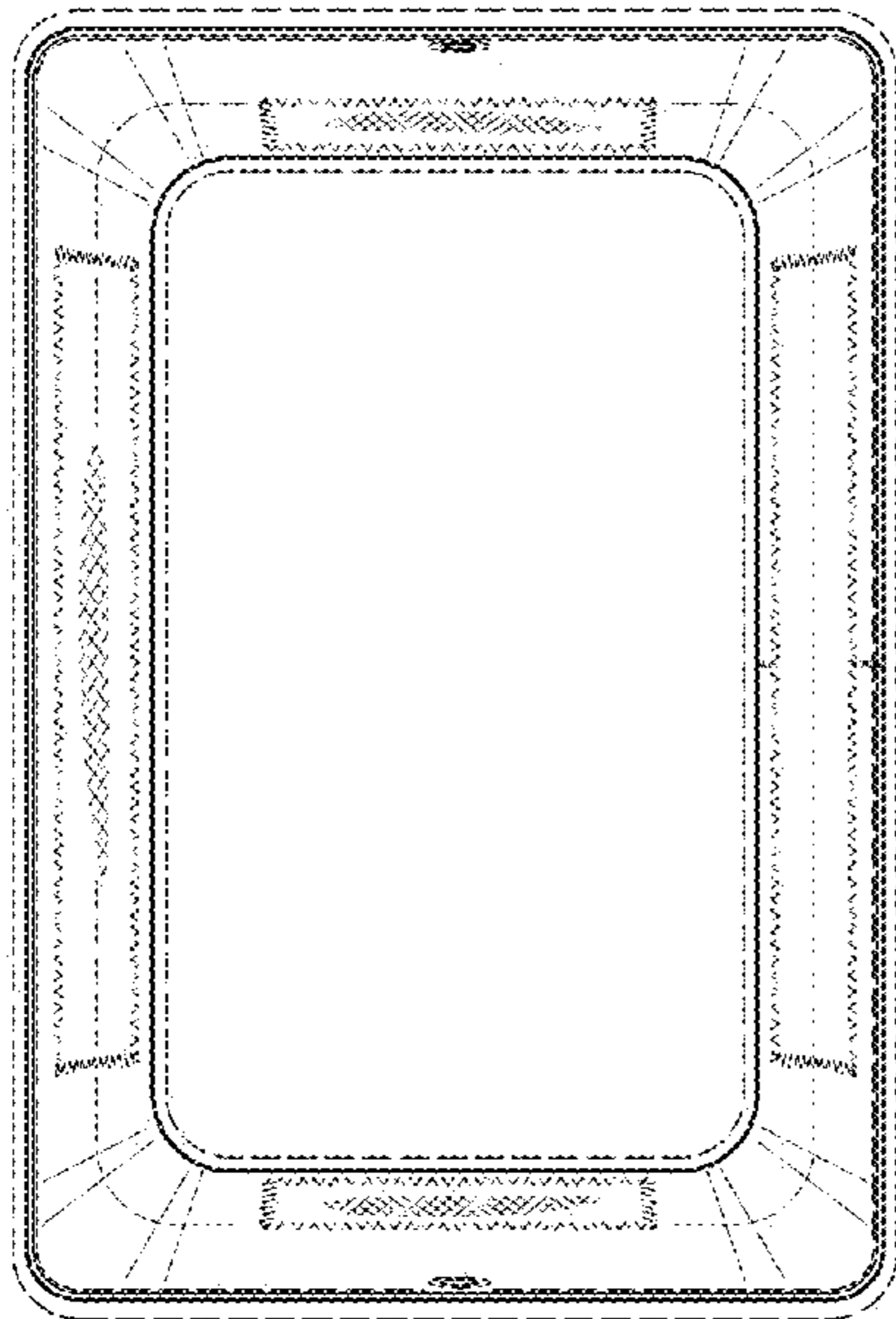


FIG. 6

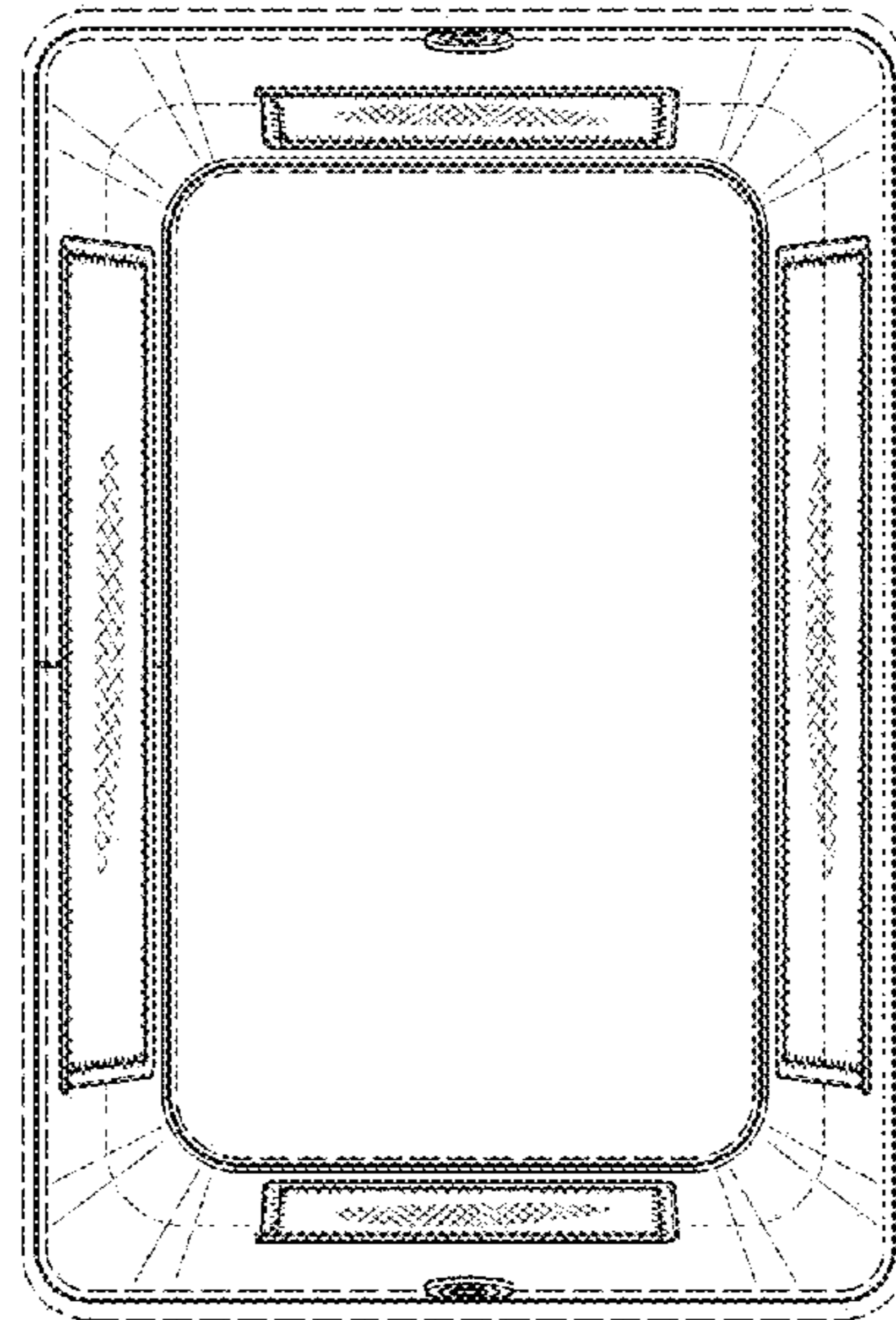


FIG. 7

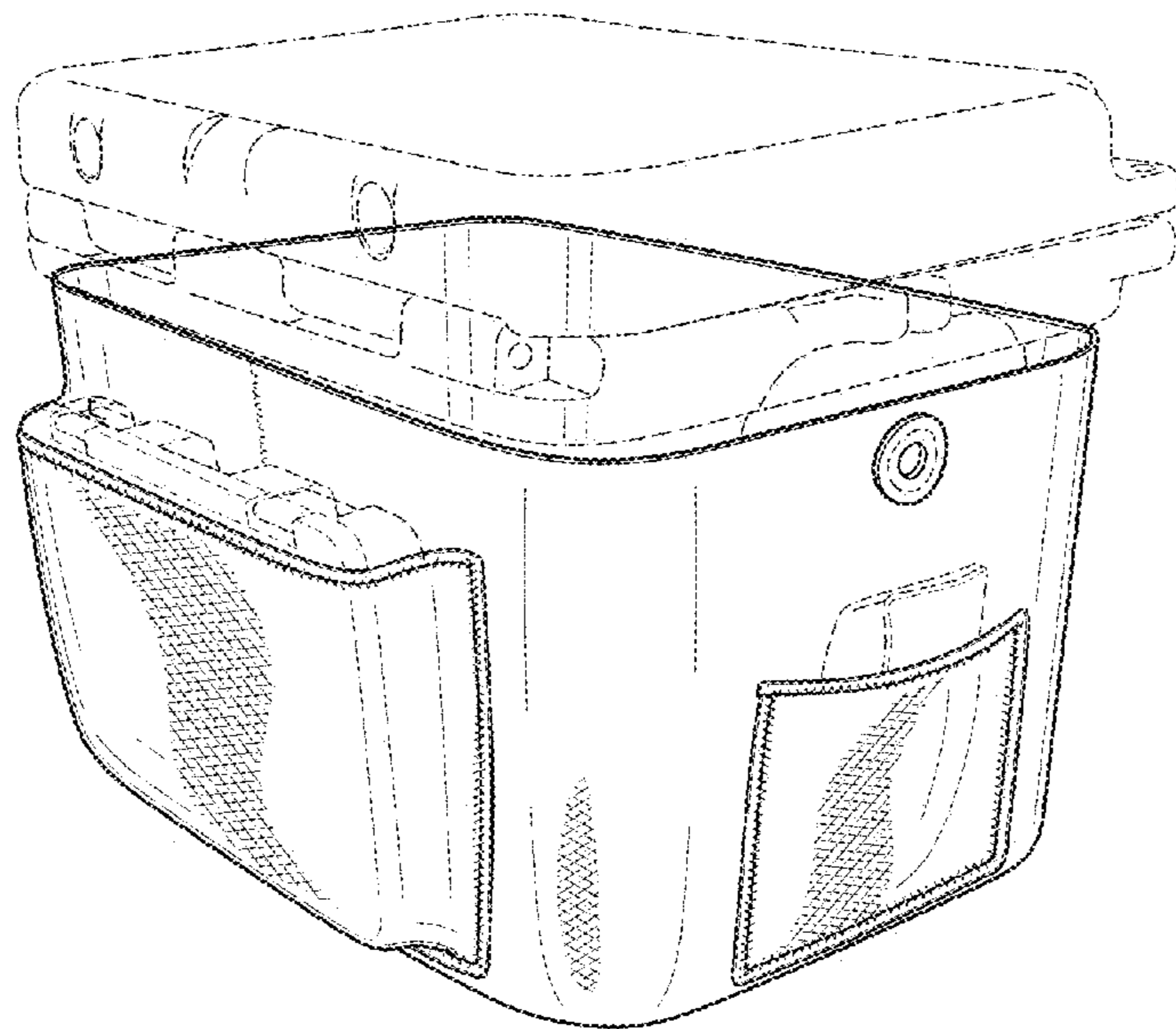


FIG. 8