



US00D731243S

(12) **United States Design Patent**  
**Machovina et al.**

(10) **Patent No.:** **US D731,243 S**  
(45) **Date of Patent:** **\*\* \*Jun. 9, 2015**

(54) **SUPPLY ASSEMBLY FOR A FOOD  
HOMOGENIZER**

(71) Applicant: **HEALTHY FOODS, LLC**, Cleveland,  
OH (US)

(72) Inventors: **Brian Louis Machovina**, Coral Gables,  
FL (US); **Robert Johnson**, Montville,  
OH (US); **Robert Schmidt**, Painesville,  
OH (US); **Winston Breeden, III**,  
Chagrin Falls, OH (US); **Douglas  
Edward Whitner**, Chagrin Falls, OH  
(US); **Ryan Scott Crisp**, Lewis Center,  
OH (US); **Eileen McHale**, Coral Gables,  
FL (US)

(73) Assignee: **HEALTHY FOODS, LLC**, Cleveland,  
OH (US)

(\*) Notice: This patent is subject to a terminal dis-  
claimer.

(\*\*) Term: **14 Years**

(21) Appl. No.: **29/472,311**

(22) Filed: **Nov. 11, 2013**

(51) **LOC (10) Cl.** ..... **31-00**

(52) **U.S. Cl.**  
USPC ..... **D7/412**

(58) **Field of Classification Search**  
USPC ..... D7/372, 376-386, 412-413, 602, 629,  
D7/665-666, 669, 679, 693-694; 99/495,  
99/509-511; 220/506; 222/138; 241/64,  
241/92, 98, 100, 101.01-101.2, 166-169.1,  
241/261.1, 274-278.2, 285.1-285.3, 291,  
241/292.1; 366/64-65, 97-98, 100, 130,  
366/197-201, 205-207, 219-220, 341-343  
CPC ..... A21C 1/02; A21C 1/04; A23N 1/00;  
A23N 1/02; A47J 19/027; A47J 43/04;  
A47J 43/25; A47J 43/27; A47J 43/042;  
A47J 43/044; A47J 43/046; A47J 43/07;  
A47J 43/075; A47J 43/0716; A47J 43/0722;

A47J 43/0727; B01F 3/00; B01F 3/0807;  
B01F 3/0853; B01F 13/0059; B01F 13/0064;  
B02C 1/08; B02C 2/04; B02C 4/42; B02C  
4/142; B02C 4/143; B02C 4/423; B02C  
13/1835; B28C 5/10; B28C 5/12; B28C 5/14;  
B28C 5/16; B65D 1/265; B67D 7/02

See application file for complete search history.

(56) **References Cited**

U.S. PATENT DOCUMENTS

933,444	A *	9/1909	Henke, Jr. ....	220/506
5,720,416	A *	2/1998	Izoe .....	222/138
8,146,490	B2 *	4/2012	Obersteiner et al. ....	99/510
D677,975	S *	3/2013	Jin et al. ....	D7/381
D682,606	S *	5/2013	Machovina et al. ....	D7/377
D701,077	S *	3/2014	Whitner et al. ....	D7/377
D703,995	S *	5/2014	Bock .....	D7/386
8,973,855	B2 *	3/2015	Machovina et al. ....	241/261.1
2007/0089613	A1 *	4/2007	Wu Chang .....	99/495
2007/0107609	A1 *	5/2007	Barker et al. ....	99/509
2012/0048977	A1 *	3/2012	Machovina et al. ....	241/277
2014/0061342	A1 *	3/2014	Machovina et al. ....	241/64
2014/0061345	A1 *	3/2014	Machovina et al. ....	241/100

\* cited by examiner

*Primary Examiner* — Ricky Pham

(74) *Attorney, Agent, or Firm* — Cooper Legal Group, LLC

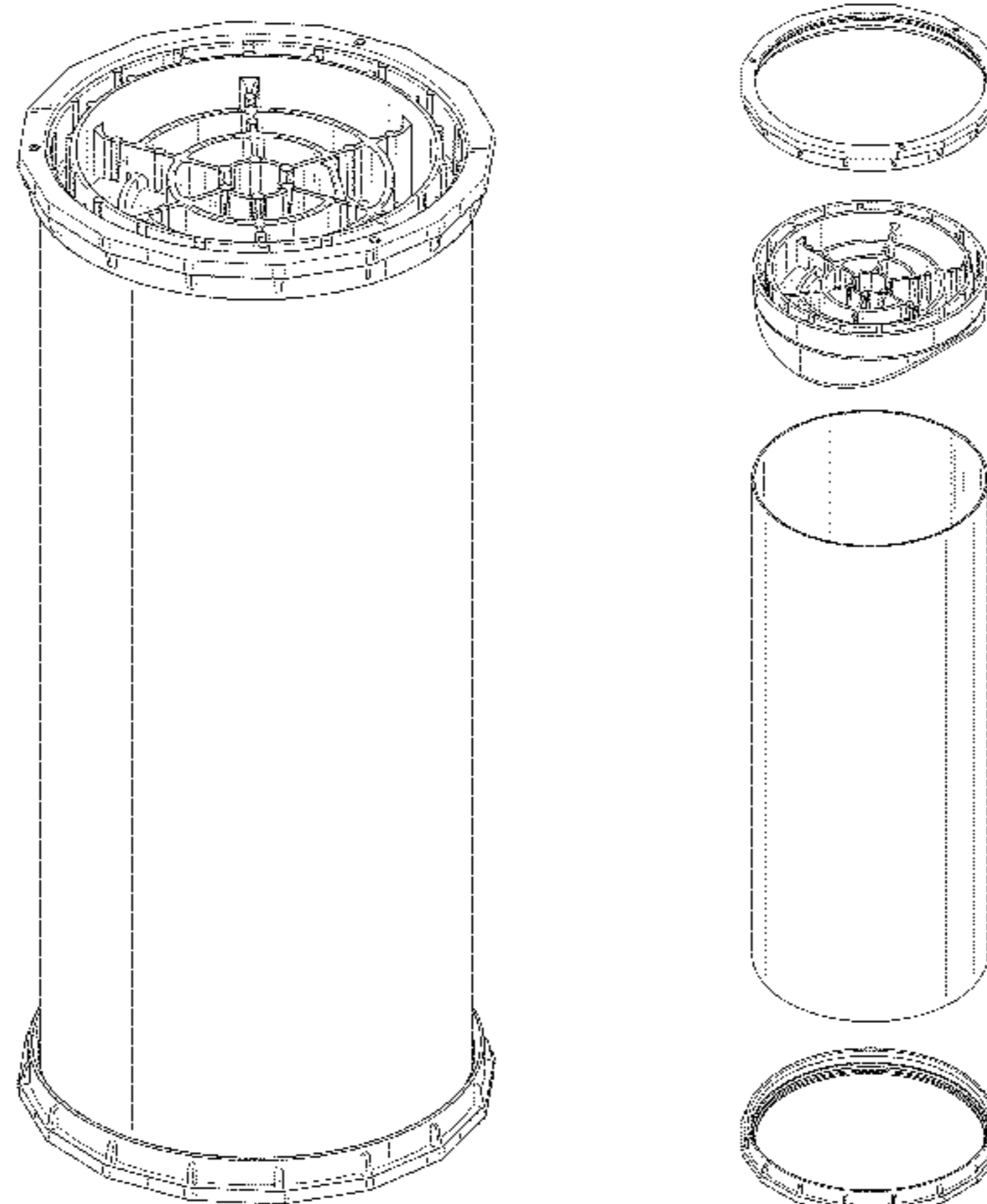
(57) **CLAIM**

The ornamental design for a supply assembly for a food  
homogenizer, as shown and described.

**DESCRIPTION**

FIG. 1 is a first perspective view of a supply assembly for a  
food based homogenizer, showing the new design.  
FIG. 2 is a front-side view thereof.  
FIG. 3 is a top-side view thereof.  
FIG. 4 is a bottom-side view thereof.  
FIG. 5 is an exploded view thereof; and,  
FIG. 6 is a second perspective view of a bottom-side of the  
supply assembly.

**1 Claim, 6 Drawing Sheets**



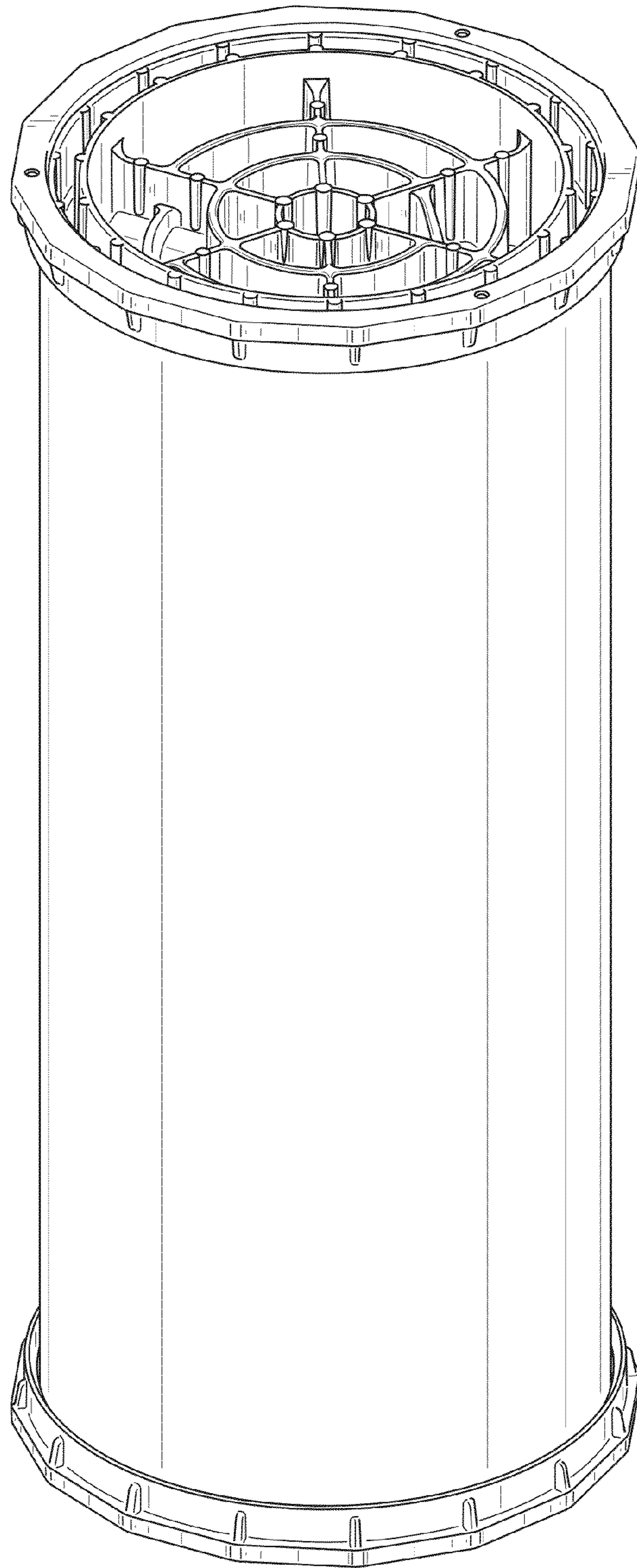


FIG. 1

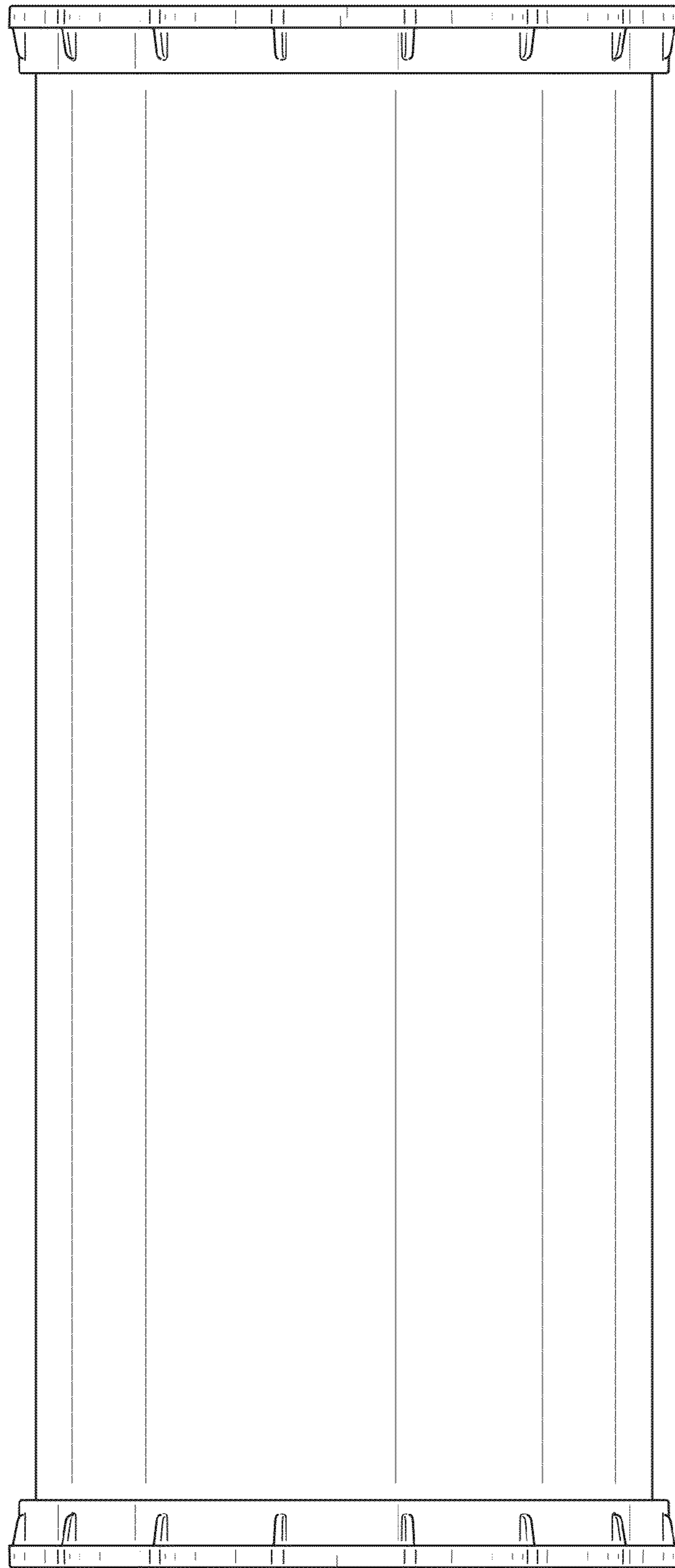


FIG. 2

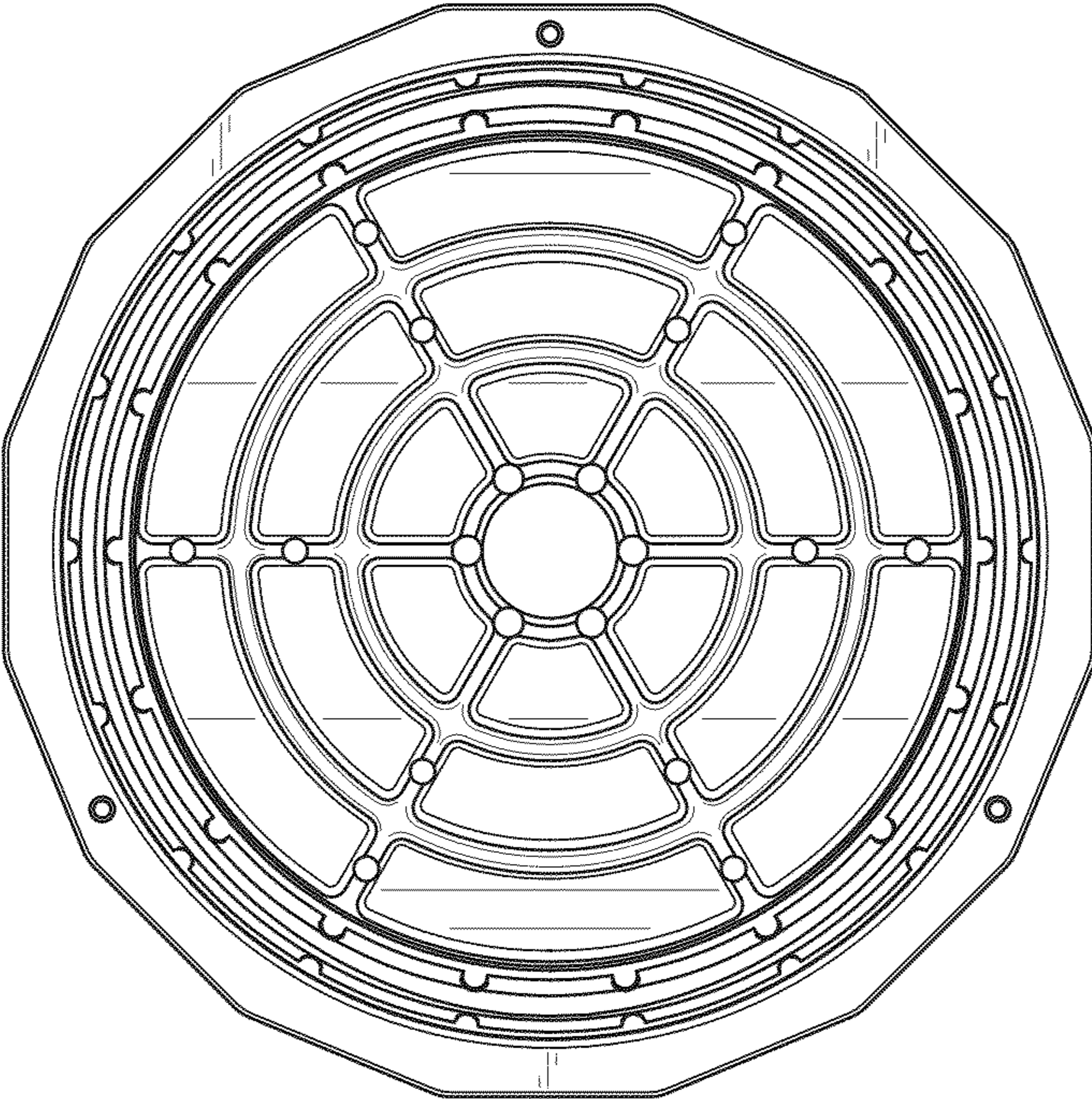


FIG. 3

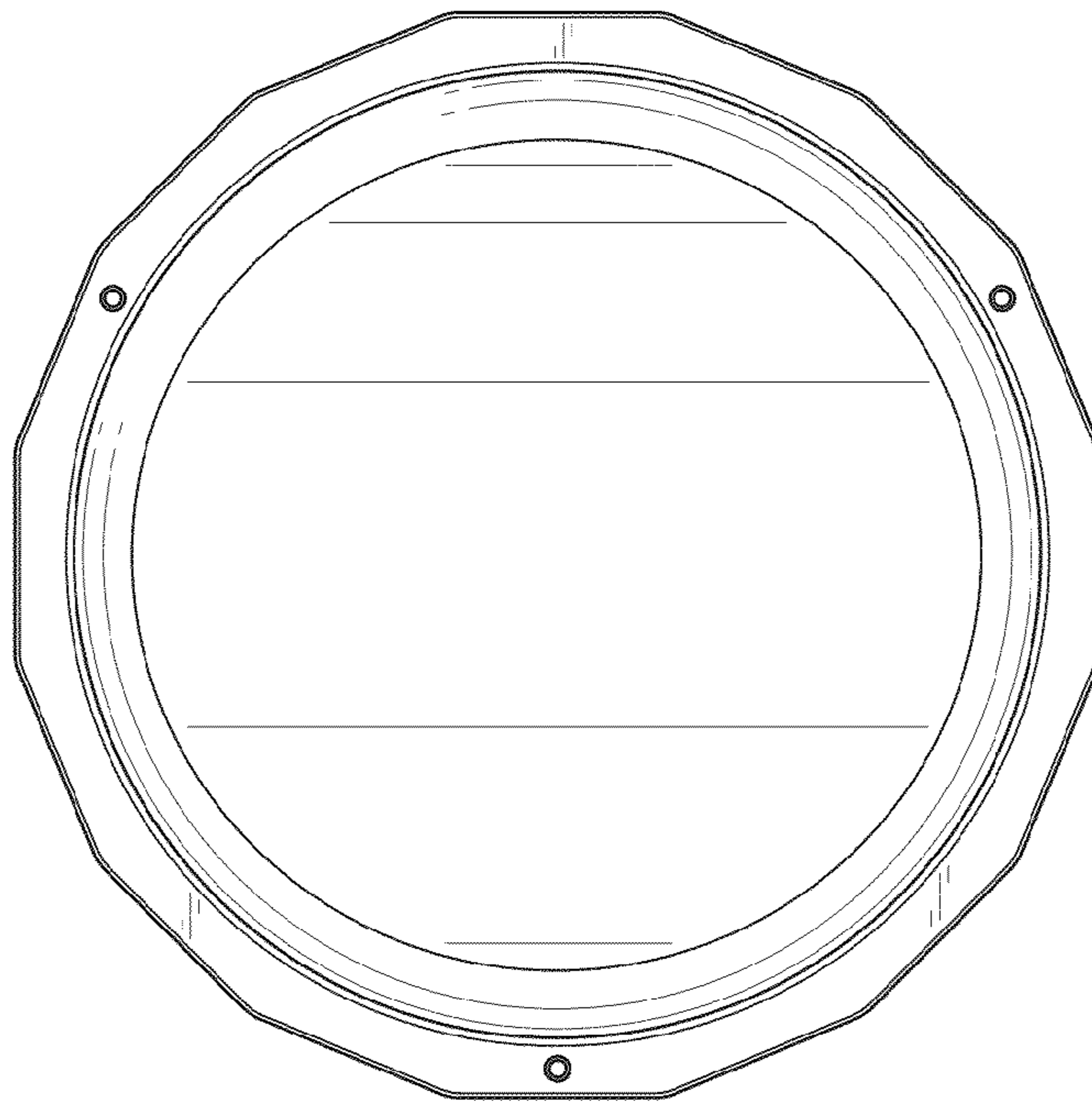


FIG. 4

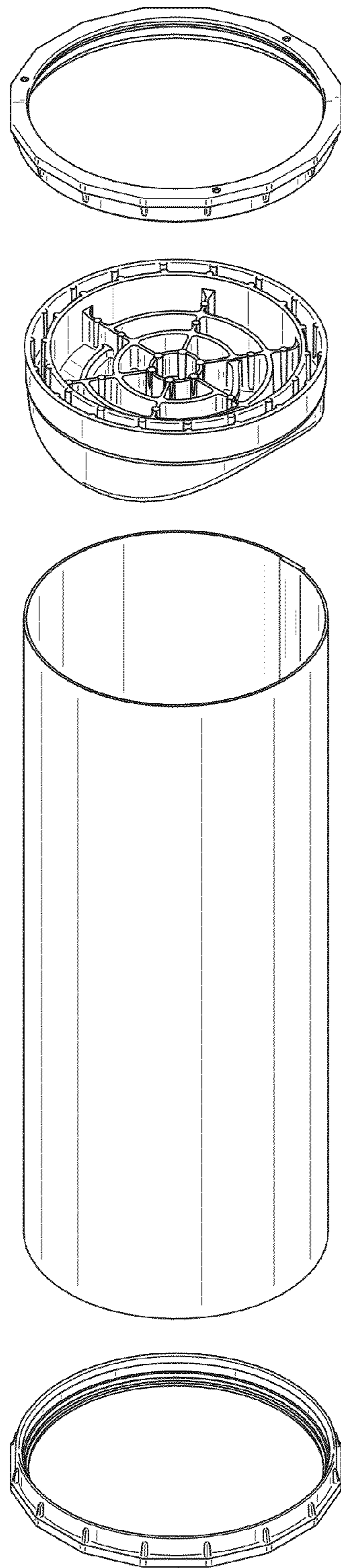


FIG. 5

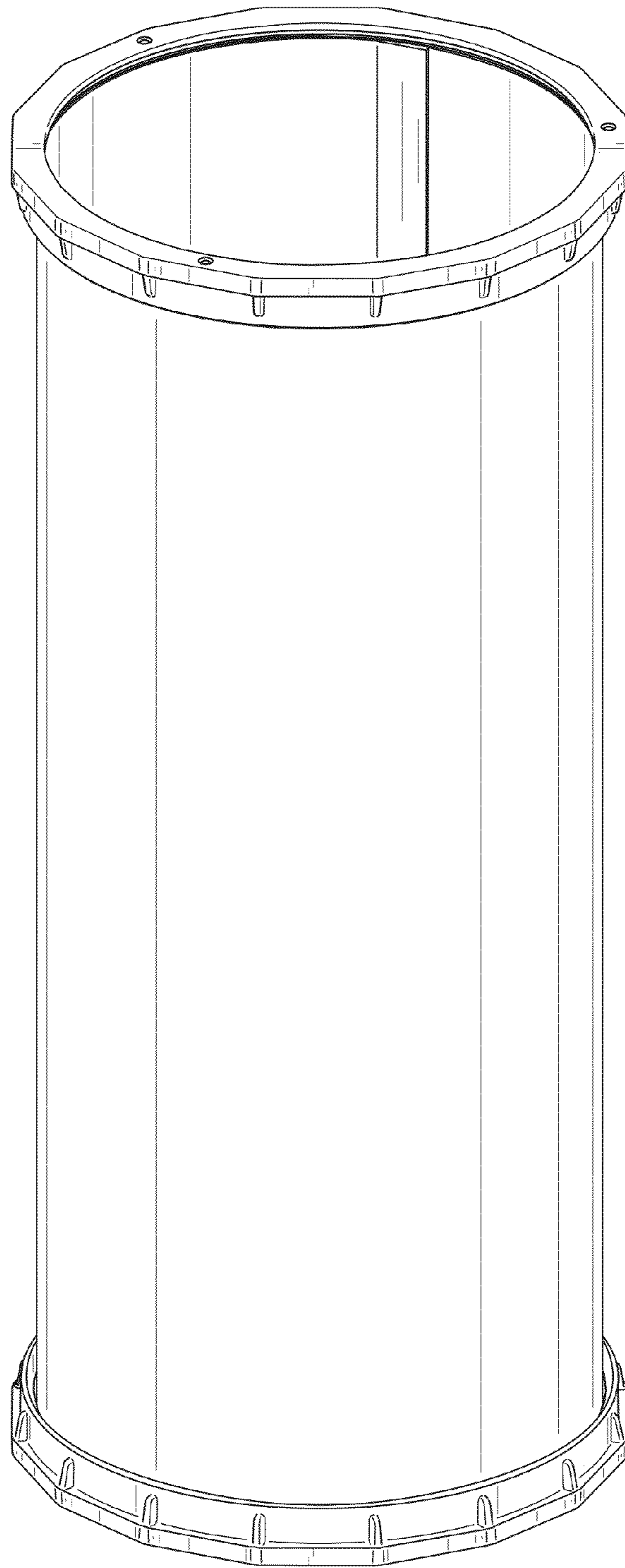


FIG. 6

UNITED STATES PATENT AND TRADEMARK OFFICE  
**CERTIFICATE OF CORRECTION**

PATENT NO. : D731,243 S  
APPLICATION NO. : 29/472311  
DATED : June 9, 2015  
INVENTOR(S) : Brian Machovina et al.

Page 1 of 2

It is certified that error appears in the above-identified patent and that said Letters Patent is hereby corrected as shown below:

In the Drawings

Sheet 5 of 6, FIG 5. Please delete FIG. 5 and insert replacement sheet FIG. 5, as shown on the attached page.

Signed and Sealed this  
Ninth Day of May, 2017



Michelle K. Lee  
*Director of the United States Patent and Trademark Office*



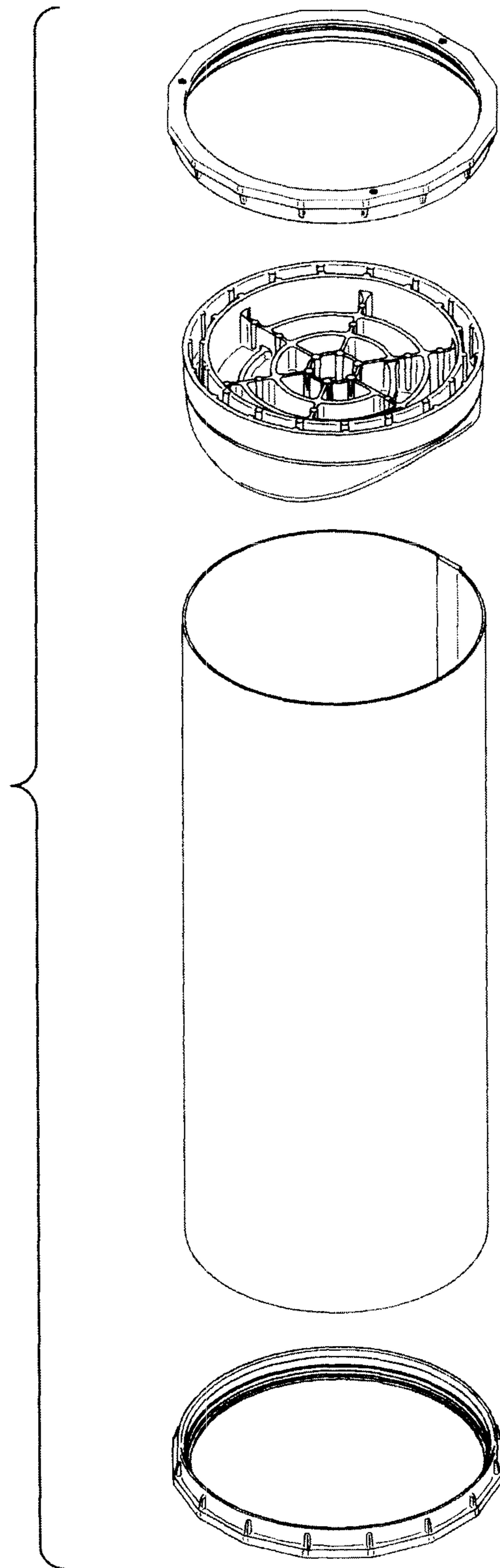


FIG. 5