



US00D731240S

(12) **United States Design Patent**
Bell et al.

(10) **Patent No.:** **US D731,240 S**
(45) **Date of Patent:** **** Jun. 9, 2015**

(54) **LID WITH A STRAW**

90/00; B65D 1/04; B65D 25/08; B65D 43/02;
B65D 51/18; B65G 45/16

(71) Applicant: **The Clorox Company**, Oakland, CA
(US)

See application file for complete search history.

(72) Inventors: **Russell E. Bell**, Pleasanton, CA (US);
Jonathan Taylor Wiegale, Venice, CA
(US); **Daniel C. Nunez**, Newark, CA
(US); **Nicole Doan**, San Francisco, CA
(US); **Brett D. McIntire**, San Rafael,
CA (US)

(56) **References Cited**

U.S. PATENT DOCUMENTS

723,796 A 3/1903 Williams
2,863,585 A 12/1958 Meshberg

(Continued)

FOREIGN PATENT DOCUMENTS

WO WO2007098564 9/2007
WO WO2010127416 11/2010

(Continued)

OTHER PUBLICATIONS

Camelbak water bottles; Date: Oct. 21, 2012; Link: <http://shop.camelbak.com/bottles/water-bottles/filtration/1/203>.*

Primary Examiner — Marianne Pandozzi

Assistant Examiner — Jae Liang

(74) *Attorney, Agent, or Firm* — Thomas C. Feix

(73) Assignee: **The Glad Products Company**, Oakland,
CA (US)

(**) Term: **14 Years**

(21) Appl. No.: **29/491,761**

(22) Filed: **May 23, 2014**

(51) **LOC (10) Cl.** **07-01**

(52) **U.S. Cl.**

USPC **D7/392.1**; D7/300.2; D7/396.2; D7/900;
D9/436

(58) **Field of Classification Search**

USPC D7/509–520, 523, 524, 525, 532, 533,
D7/534, 535, 536, 538, 560, 584, 300.2,
D7/304, 305, 600, 619.1, 326, 393, 396.1,
D7/396.2, 417, 900, 650, 300, 300.1, 705,
D7/387, 400, 213, 392.1; D9/739,
D9/501–507, 516, 517, 518, 519, 522, 523,
D9/525, 526, 529, 530–542, 454, 547, 549,
D9/554, 559, 571, 572, 435, 436, 440, 442,
D9/443, 445, 651, 905, 449, 685, 448,
D9/719; D24/197, 121, 199, 224; 220/713,
220/715, 703, 254.9, 262, 630, 710, 705,
220/213; 206/216, 217, 503; D23/209, 213,
D23/328, 314; 222/207, 325

CPC A47G 2019/2238; A47G 19/2216;
A47G 19/22; A47G 19/2211; B65D 1/0223;
B65D 3/08; B65D 81/32; B65D 1/02; B65D

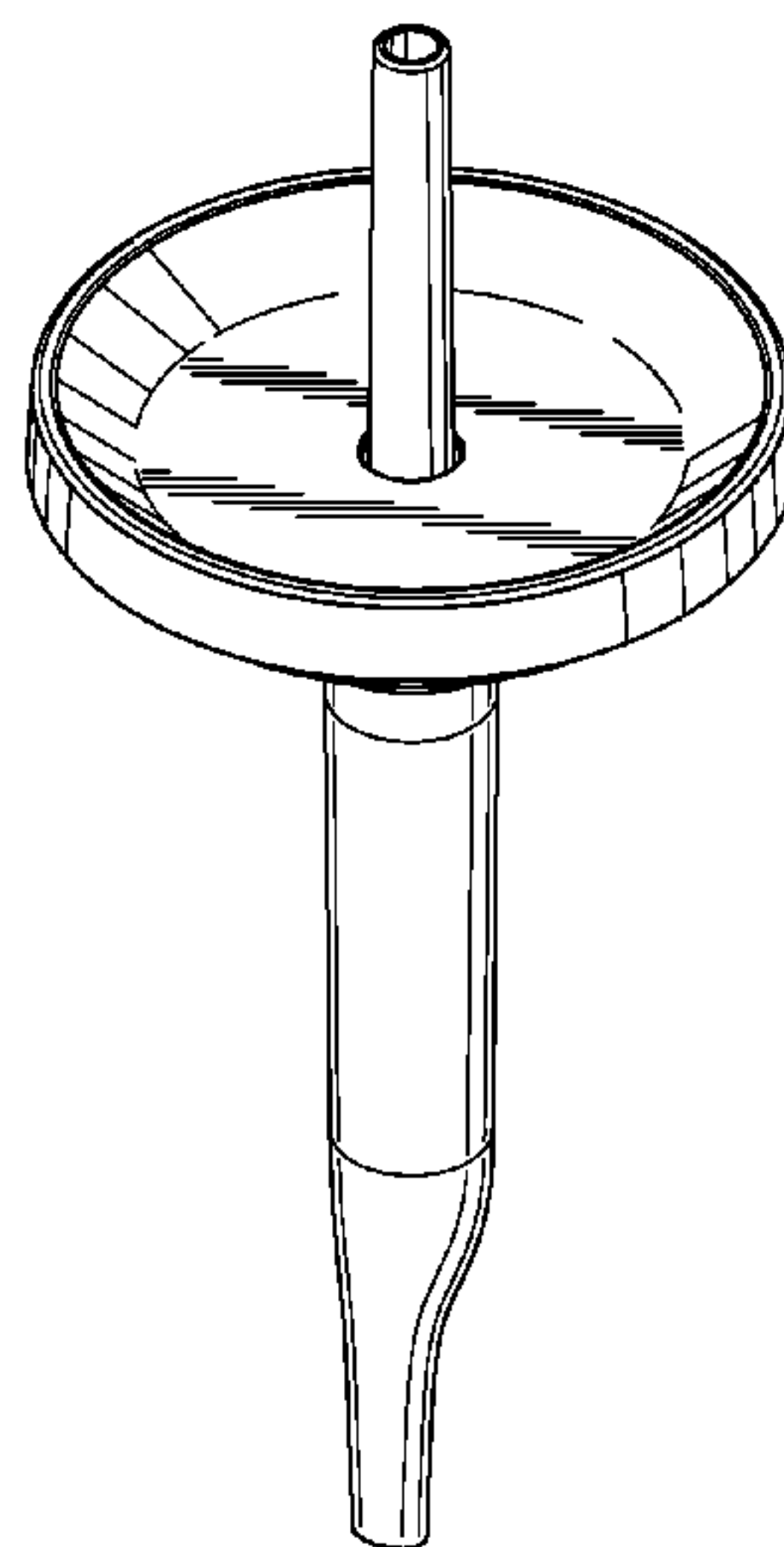
(57) **CLAIM**

The ornamental design for a lid with a straw, as shown and described.

DESCRIPTION

FIG. 1 is a perspective view of a lid with a straw;
FIG. 2 is a top view thereof;
FIG. 3 is a bottom view thereof;
FIG. 4 is a front side view thereof;
FIG. 5 is a left side view thereof;
FIG. 6 is a back side view thereof, opposite of FIG. 4; and,
FIG. 7 is a right side view thereof, opposite of FIG. 5.
The broken line showing in the figure drawings are included for the purpose of illustration and form no part of the claimed design.

1 Claim, 3 Drawing Sheets



(56)

References Cited

U.S. PATENT DOCUMENTS

3,822,030 A 7/1974 Tanzer
 4,121,835 A 10/1978 Garabedian
 D305,089 S * 12/1989 Thompson D7/379
 4,948,009 A * 8/1990 Sawatani 220/229
 D318,427 S * 7/1991 Sherburne, Jr. D9/436
 5,361,935 A * 11/1994 Sagucio 220/709
 D415,027 S * 10/1999 Blazar D9/447
 D417,819 S 12/1999 Kelly-Pollet
 6,158,155 A * 12/2000 Boney 40/307
 D466,371 S 12/2002 Parker
 D476,193 S 6/2003 Janky
 7,011,255 B2 * 3/2006 Zuccaro 239/33
 7,337,705 B1 3/2008 Catena et al.
 D573,017 S * 7/2008 Henderson D9/436
 D574,507 S * 8/2008 Muir et al. D24/224
 D577,260 S 9/2008 Bodum
 D581,739 S 12/2008 Bodum
 D592,505 S * 5/2009 Mobley et al. D9/436
 D596,440 S * 7/2009 Rothberg et al. D7/300.2
 D602,784 S * 10/2009 Rothberg et al. D9/549
 D608,147 S 1/2010 Sykes
 D618,964 S 7/2010 Eisenhardt
 D636,634 S 4/2011 Kemper et al.
 D640,094 S 6/2011 Carlson et al.
 D648,599 S 11/2011 Watanabe et al.
 D648,985 S 11/2011 Chiu et al.

D649,389 S 11/2011 Bickert et al.
 D654,753 S * 2/2012 White et al. D7/300.2
 D668,116 S 10/2012 Eyal
 D674,241 S * 1/2013 Bickert et al. D7/510
 D674,242 S * 1/2013 Eyal D7/510
 D674,649 S 1/2013 Ludwig et al.
 8,464,896 B2 6/2013 Beary
 D688,523 S * 8/2013 Lees D7/510
 8,579,148 B2 11/2013 Slansky
 D694,565 S * 12/2013 Zeghibe et al. D7/300.2
 8,608,016 B2 12/2013 Chiu et al.
 D697,355 S * 1/2014 White et al. D7/300.2
 D697,366 S * 1/2014 Kristinik D7/392.1
 D699,064 S * 2/2014 Katterheinrich et al. ... D7/300.2
 D700,014 S * 2/2014 Zeanah D7/510
 D701,425 S * 3/2014 Pearson D7/510
 D702,493 S * 4/2014 Tang D7/398
 D704,510 S * 5/2014 Mason et al. D7/510
 8,875,957 B2 * 11/2014 Ho 222/530
 2004/0245250 A1 * 12/2004 Hidalgo et al. 220/229
 2010/0276509 A1 11/2010 Mauro
 2011/0278314 A1 * 11/2011 Bendix 220/703
 2012/0247998 A1 * 10/2012 Wahl 206/459.5

FOREIGN PATENT DOCUMENTS

WO WO2011072677 6/2011
 WO WO2012158043 11/2012

* cited by examiner

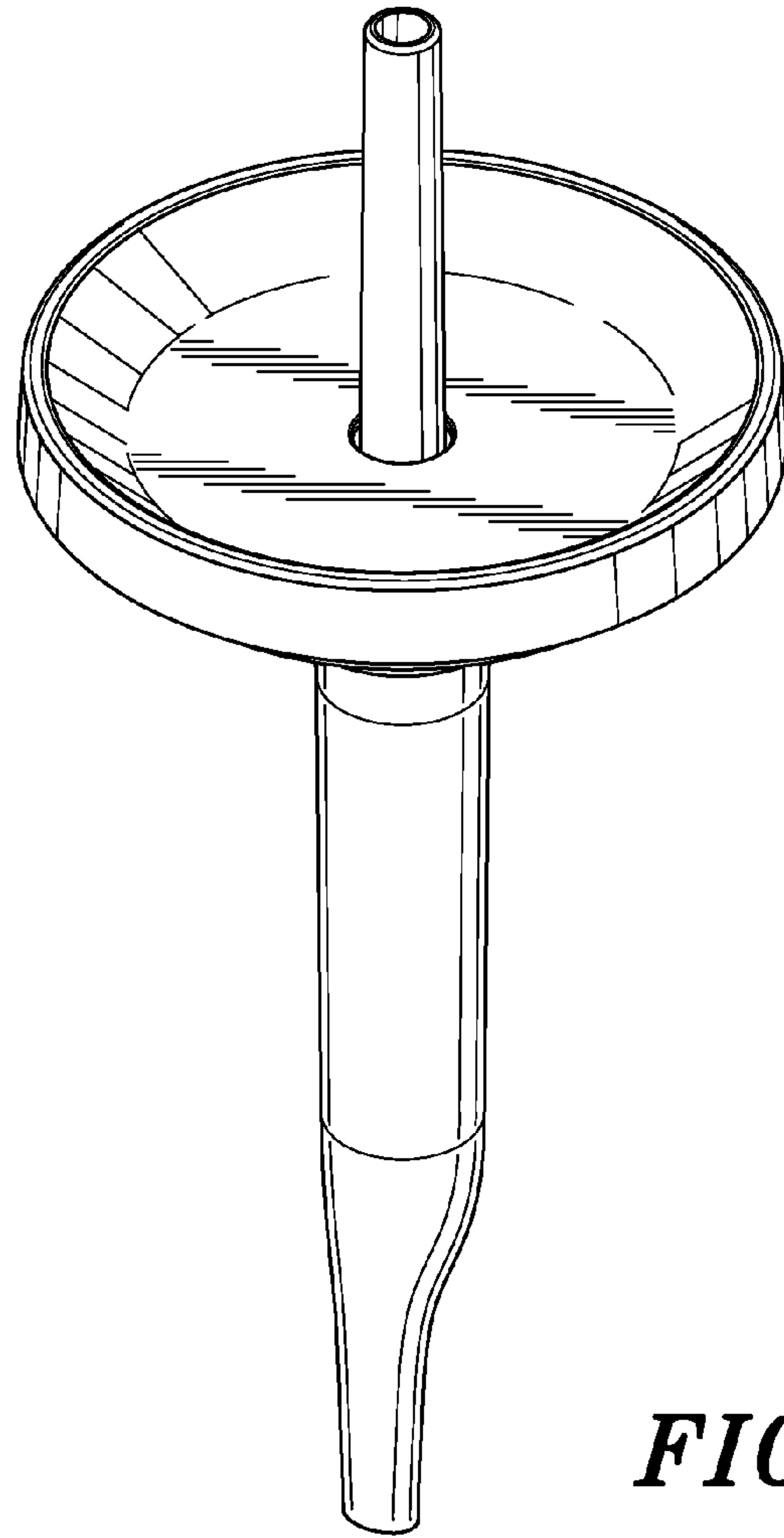


FIG. 1

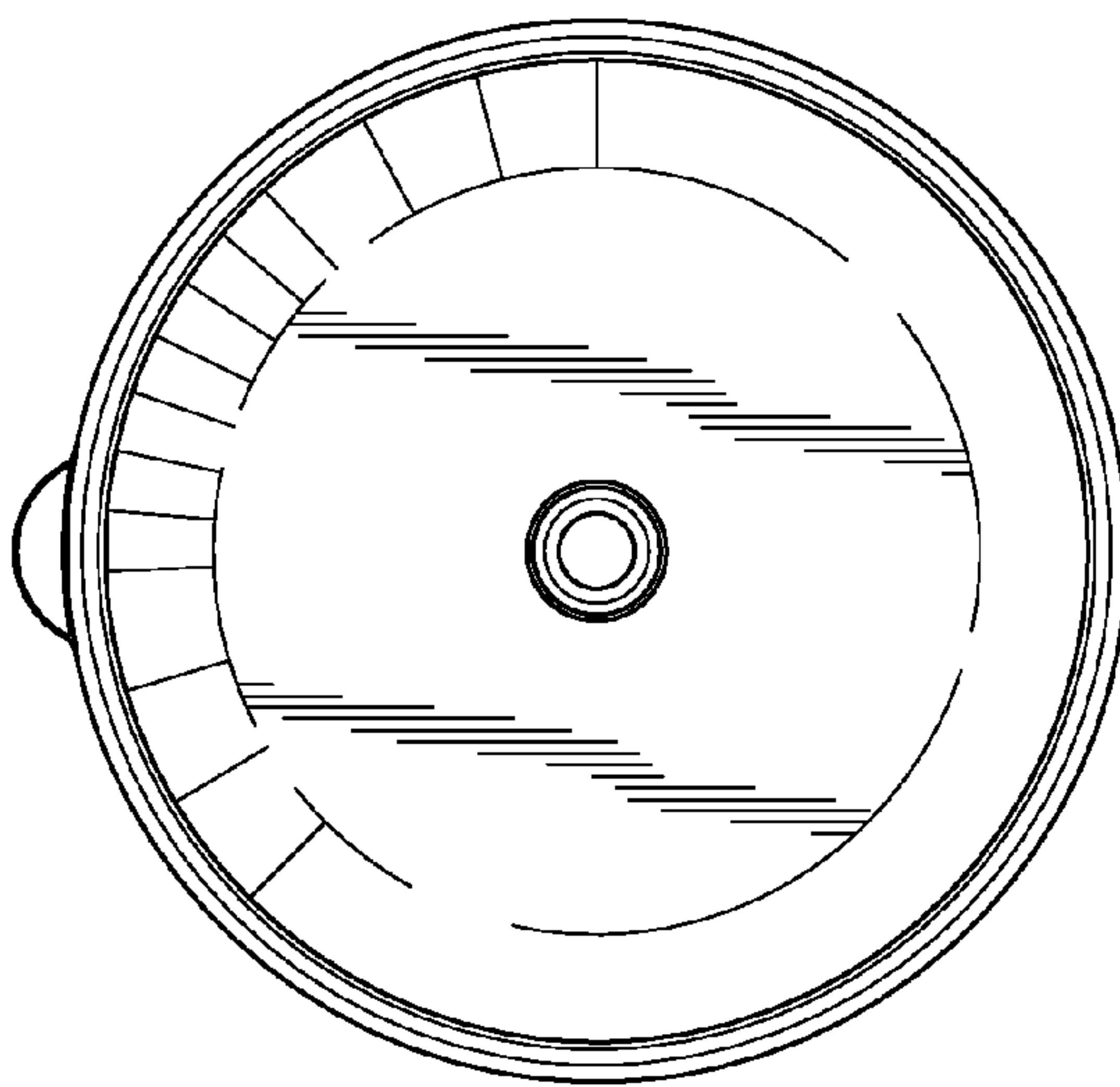


FIG. 2

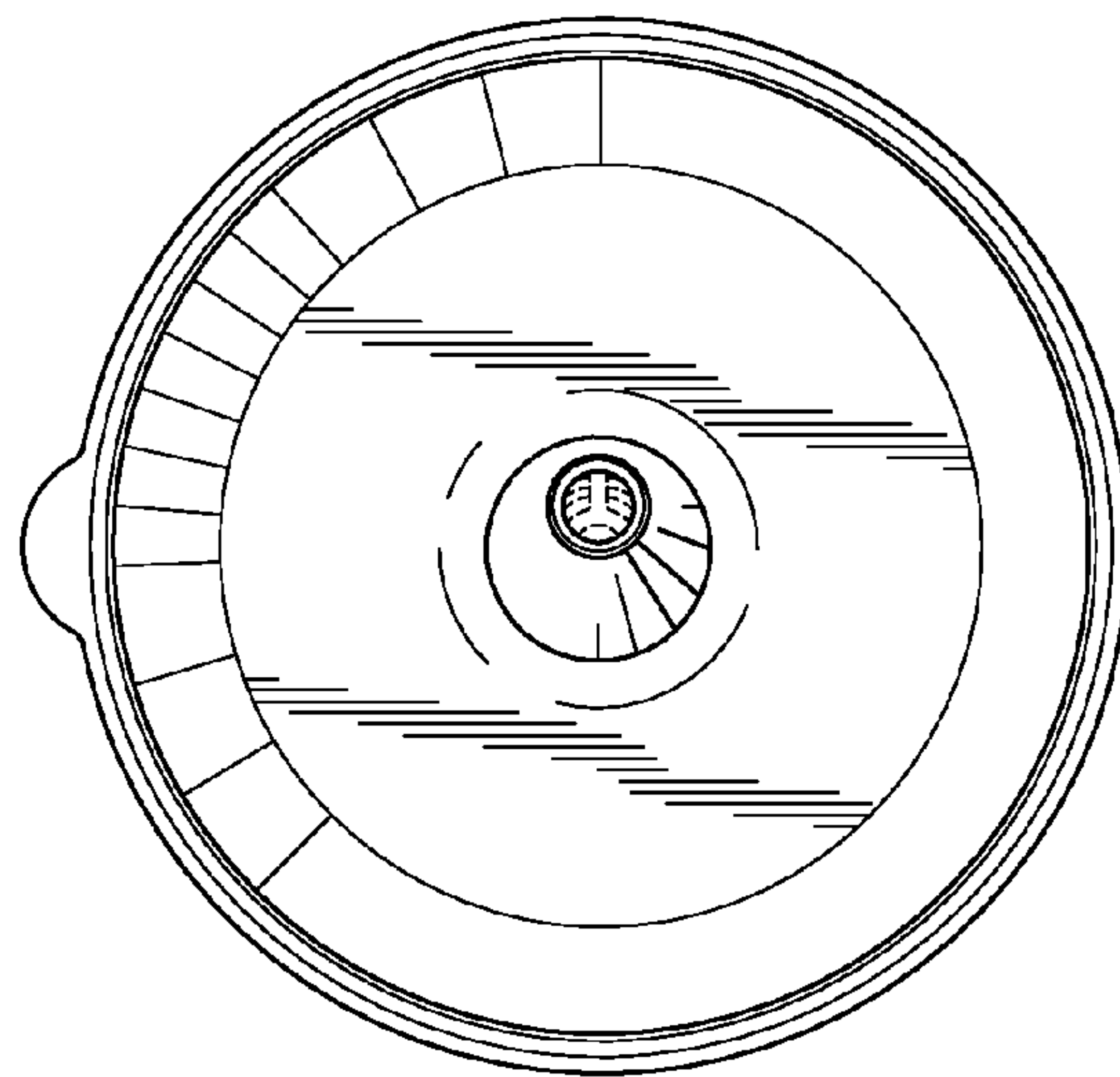


FIG. 3

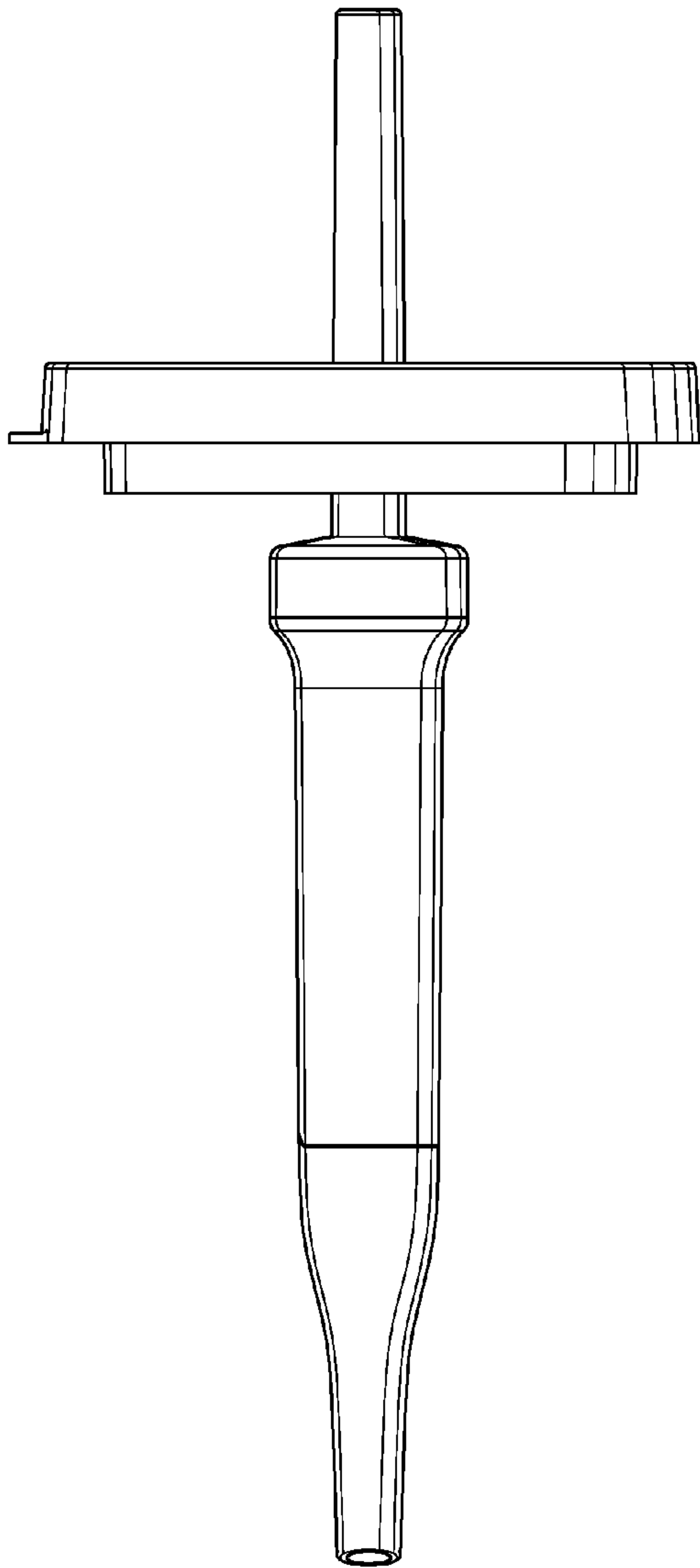


FIG. 4

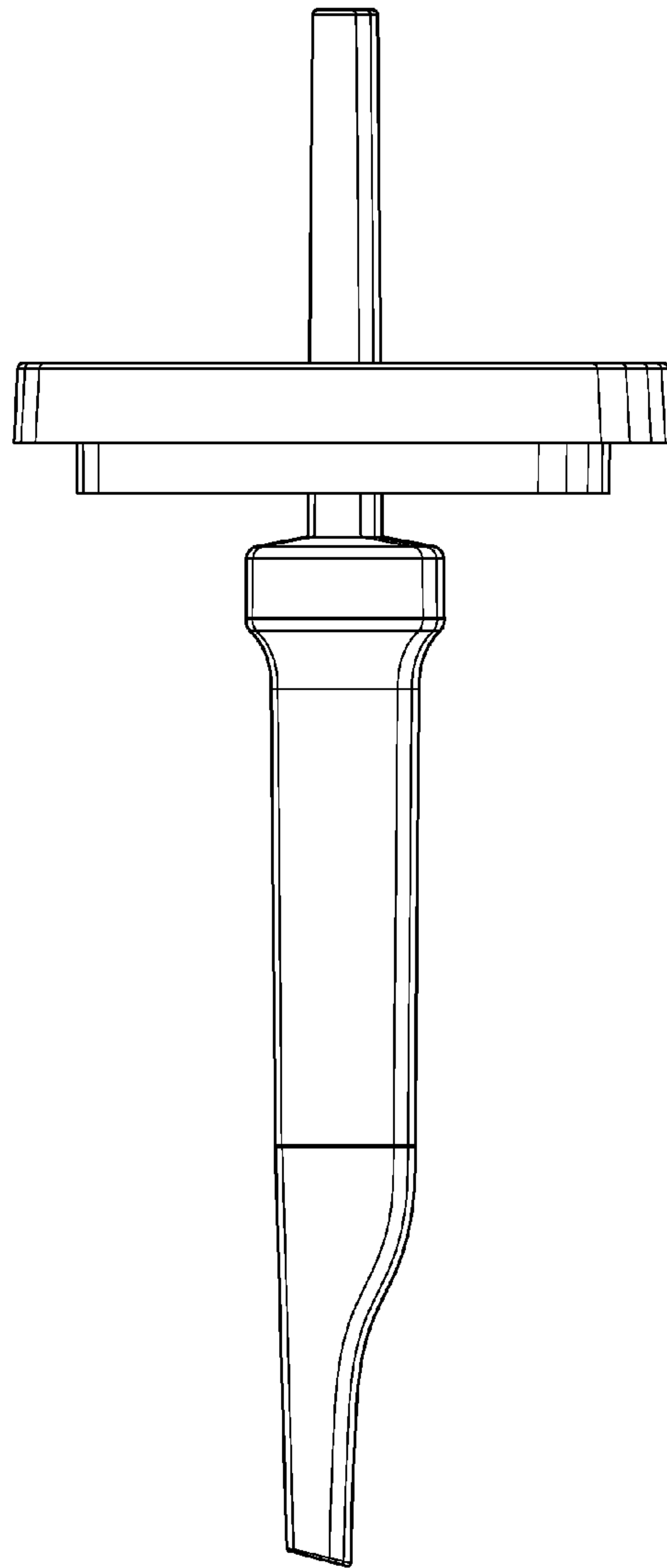


FIG. 5

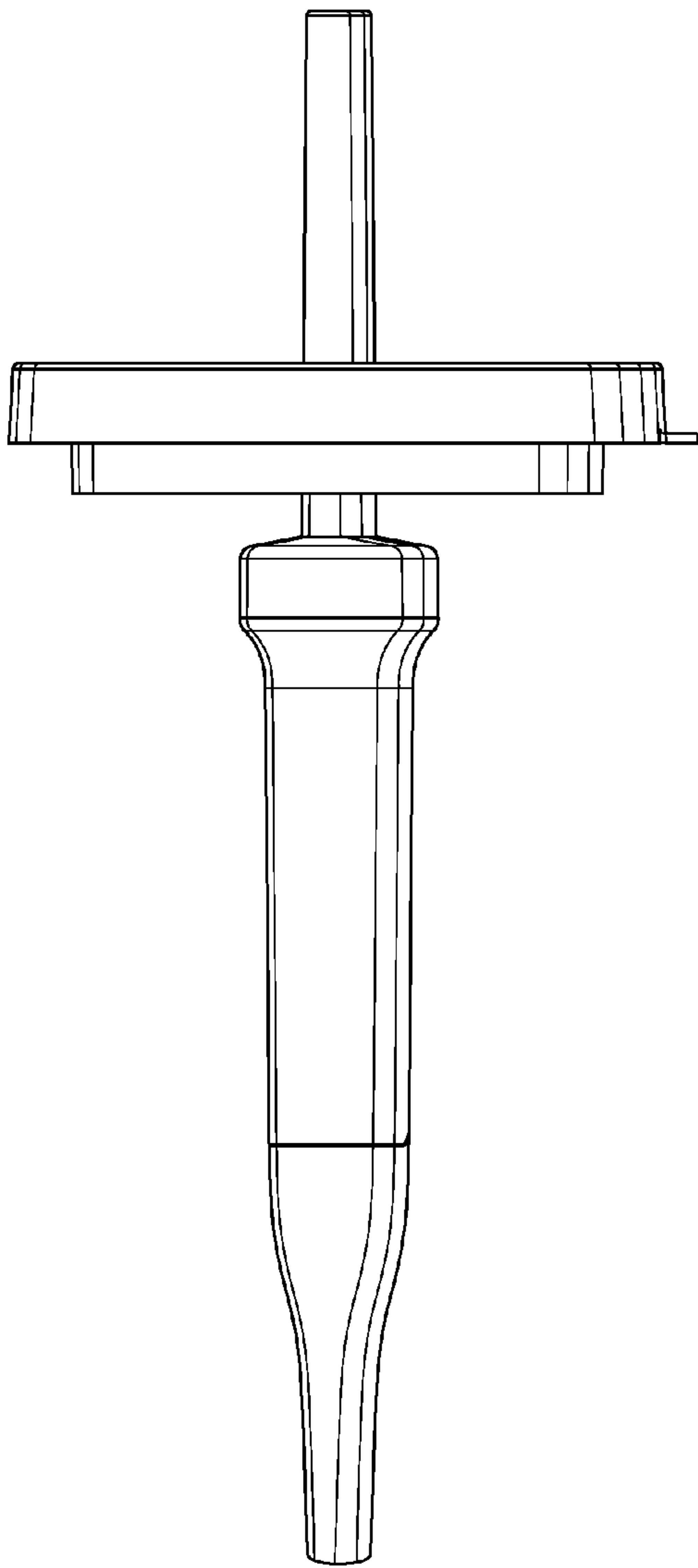


FIG. 6

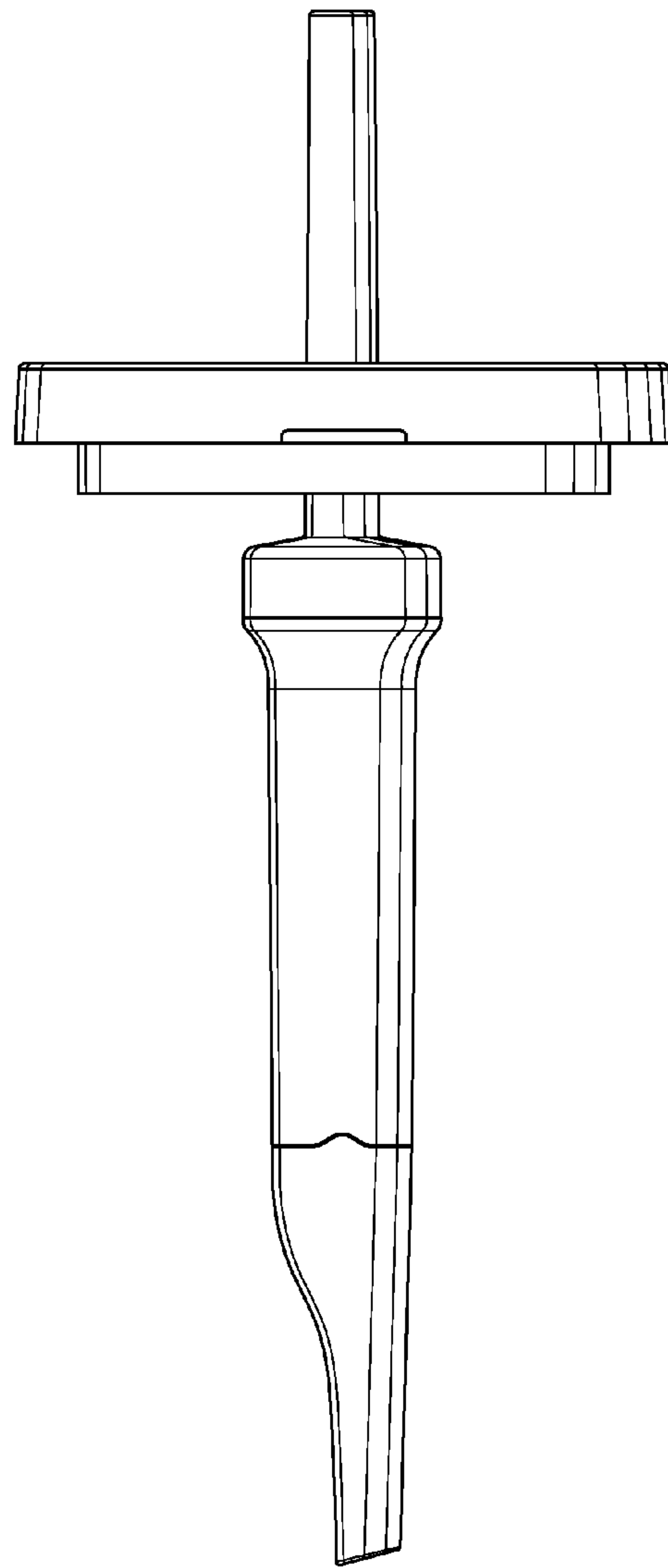


FIG. 7

UNITED STATES PATENT AND TRADEMARK OFFICE
CERTIFICATE OF CORRECTION

PATENT NO. : D731,240 S
APPLICATION NO. : 29/491761
DATED : June 9, 2015
INVENTOR(S) : Russell E. Bell et al.

Page 1 of 1

It is certified that error appears in the above-identified patent and that said Letters Patent is hereby corrected as shown below:

On the Title Page

Assignee reads: The Glad Products Company and should read Brita LP.

Signed and Sealed this
Seventeenth Day of May, 2016



Michelle K. Lee
Director of the United States Patent and Trademark Office