



US00D731238S

(12) **United States Design Patent**
Kalaouze, Jr.

(10) **Patent No.:** **US D731,238 S**
(45) **Date of Patent:** **** Jun. 9, 2015**

(54) **SUPPLEMENTAL BEVERAGE CONTAINER**

(71) Applicant: **Fadi Kalaouze, Jr.**, College Station, TX (US)

(72) Inventor: **Fadi Kalaouze, Jr.**, College Station, TX (US)

(**) Term: **14 Years**

(21) Appl. No.: **29/447,737**

(22) Filed: **Mar. 6, 2013**

(51) **LOC (10) Cl.** **07-01**

(52) **U.S. Cl.**
USPC **D7/392.1; D7/396.2**

(58) **Field of Classification Search**
USPC D7/396.2, 396.4, 510-513, 505, 509, D7/540, 629, 584, 392.1; D9/503, 500, D9/428, 447, 738, 744, 745; D24/121
CPC B65D 81/3216; B65D 51/20; B65D 2251/0093-2251/0096; B65D 47/122; B65D 47/127; B65D 51/28; B65D 81/3211; A47G 12/2205

See application file for complete search history.

(56) **References Cited**

U.S. PATENT DOCUMENTS

5,071,042	A *	12/1991	Esposito	222/570
5,711,453	A *	1/1998	Weiler	222/83
D481,313	S *	10/2003	Archer	D9/447
D640,569	S *	6/2011	Alongi et al.	D9/745
D647,369	S *	10/2011	Bryman et al.	D7/510
8,365,960	B1 *	2/2013	Kalaouze	222/145.5
D683,590	S *	6/2013	Austin	D7/510
8,662,351	B2 *	3/2014	Kalaouze	222/145.5
2003/0178433	A1 *	9/2003	Adams	220/703
2006/0163190	A1 *	7/2006	Laveault et al.	215/257
2007/0182563	A1 *	8/2007	Abbott	340/572.8
2012/0187071	A1 *	7/2012	Martinovic et al.	215/250

* cited by examiner

Primary Examiner — Susan Bennett Hattan

Assistant Examiner — Brett Miller

(74) *Attorney, Agent, or Firm* — Mark Young, P.A.

(57) **CLAIM**

The ornamental design for a supplemental beverage container, as shown and described.

DESCRIPTION

FIG. 1 is a plan view of a supplemental beverage container. FIG. 2 is a first side view of the supplemental beverage container shown in FIG. 1.

FIG. 3 is a first top perspective view of the supplemental beverage container shown in FIG. 1.

FIG. 4 is a second top perspective view of the supplemental beverage container shown in FIG. 1.

FIG. 5 is a bottom view of the supplemental beverage container shown in FIG. 1.

FIG. 6 is a first bottom perspective view of the supplemental beverage container shown in FIG. 1.

FIG. 7 is a second bottom perspective view of the supplemental beverage container shown in FIG. 1.

FIG. 8 is an exploded side view of the supplemental beverage container shown in FIG. 1.

FIG. 9 is a first exploded top perspective view of the supplemental beverage container shown in FIG. 1.

FIG. 10 is a second exploded top perspective view of the supplemental beverage container shown in FIG. 1.

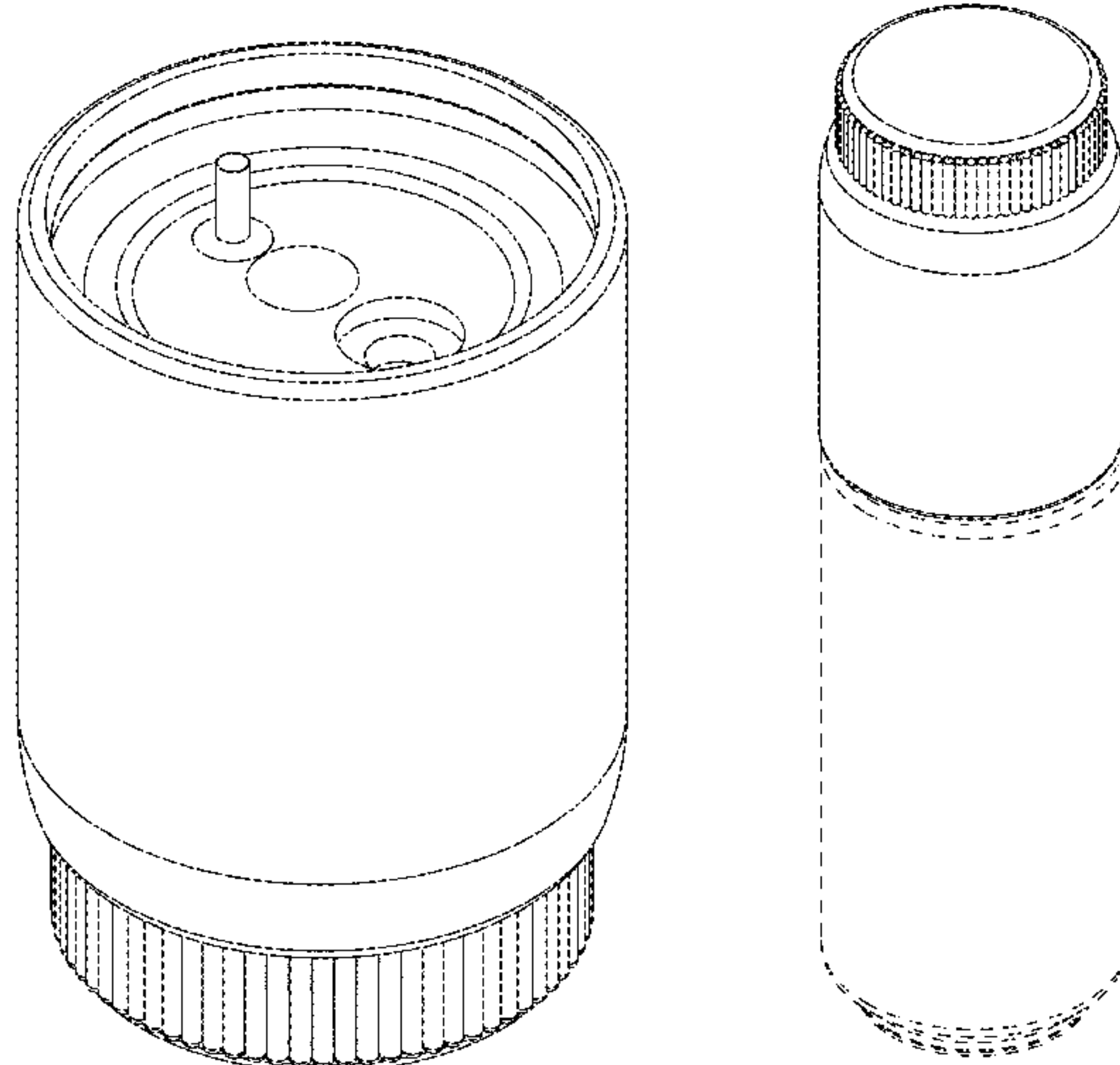
FIG. 11 is a side view of the supplemental beverage container shown in FIG. 1 on a beverage can.

FIG. 12 is a first top perspective view of the supplemental beverage container shown in FIG. 1 on a beverage can; and,

FIG. 13 is a second top perspective view of the supplemental beverage container shown in FIG. 1 on a beverage can.

The broken line showing of parts of the drawings is included for the purpose of illustrating use and environment and forms no part of the claimed design.

1 Claim, 13 Drawing Sheets



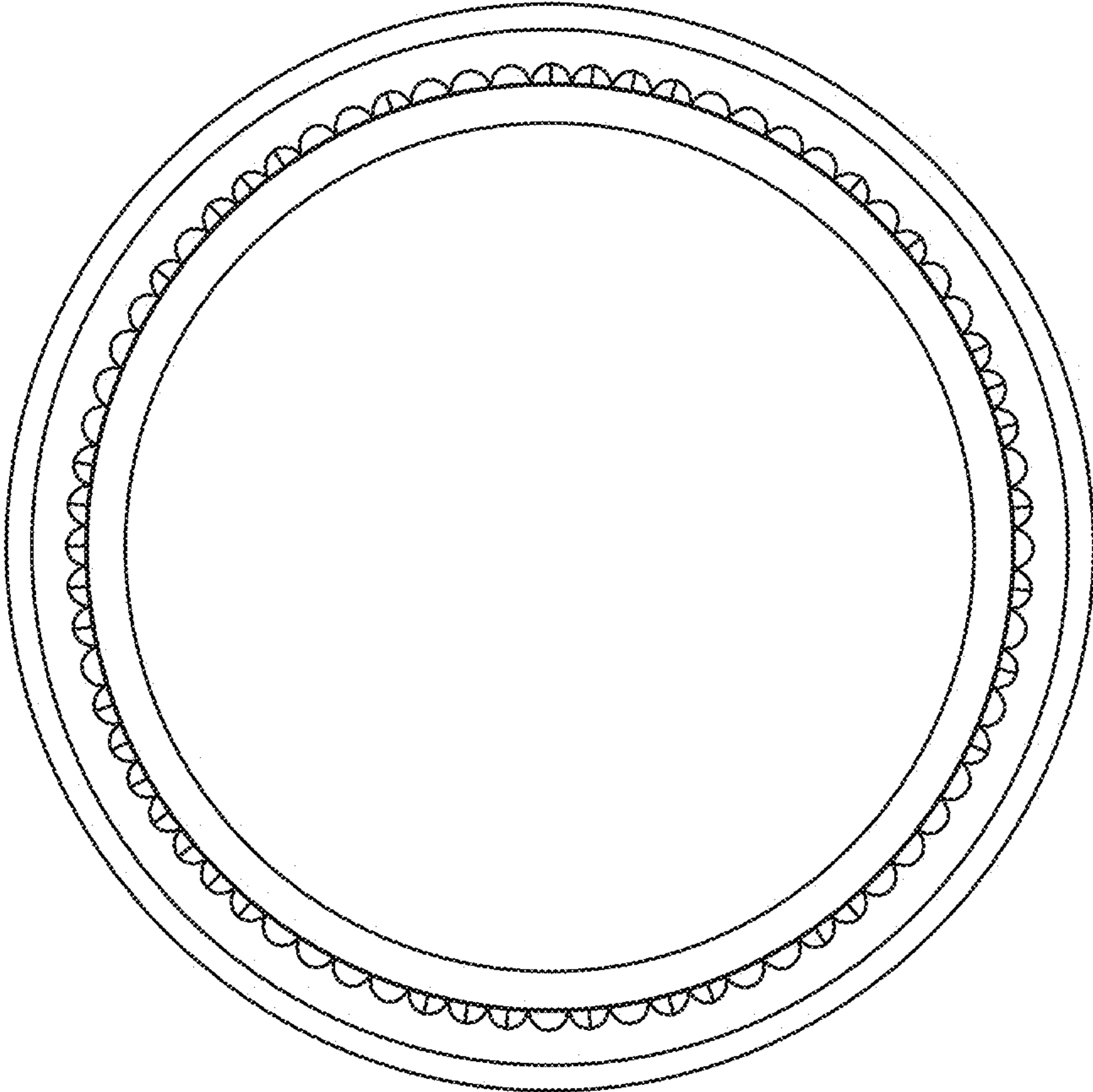


FIG. 1

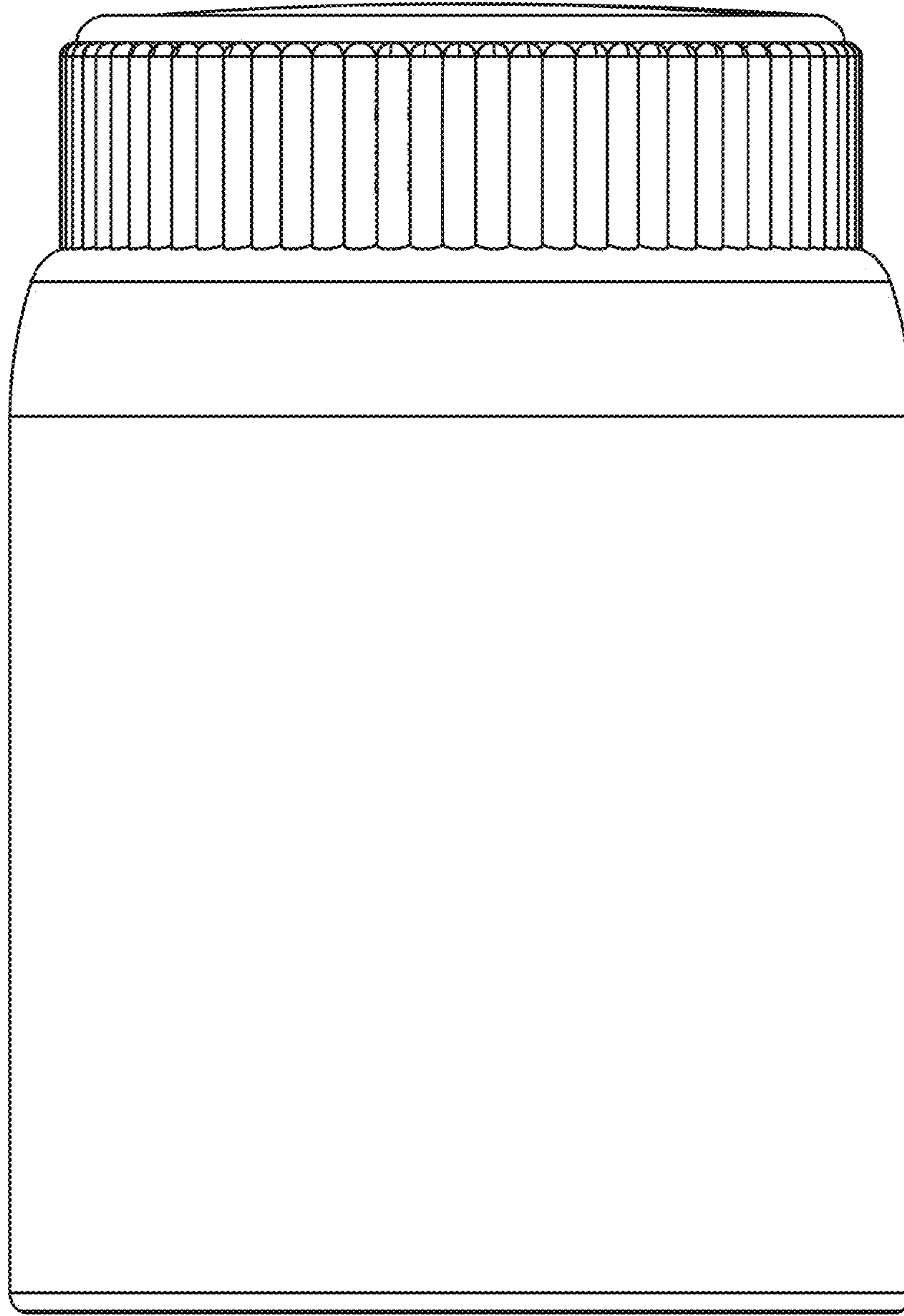


FIG. 2

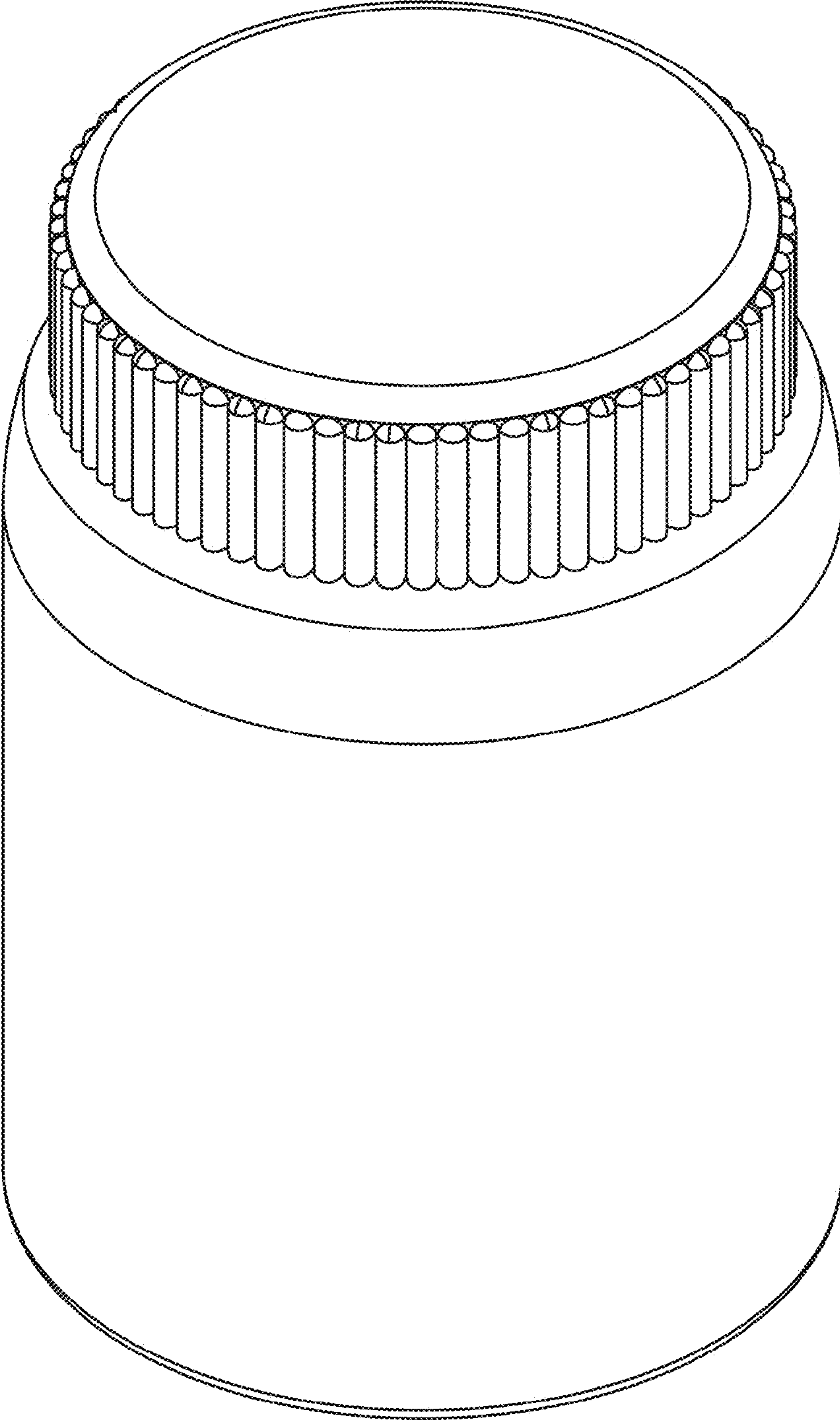


FIG. 3

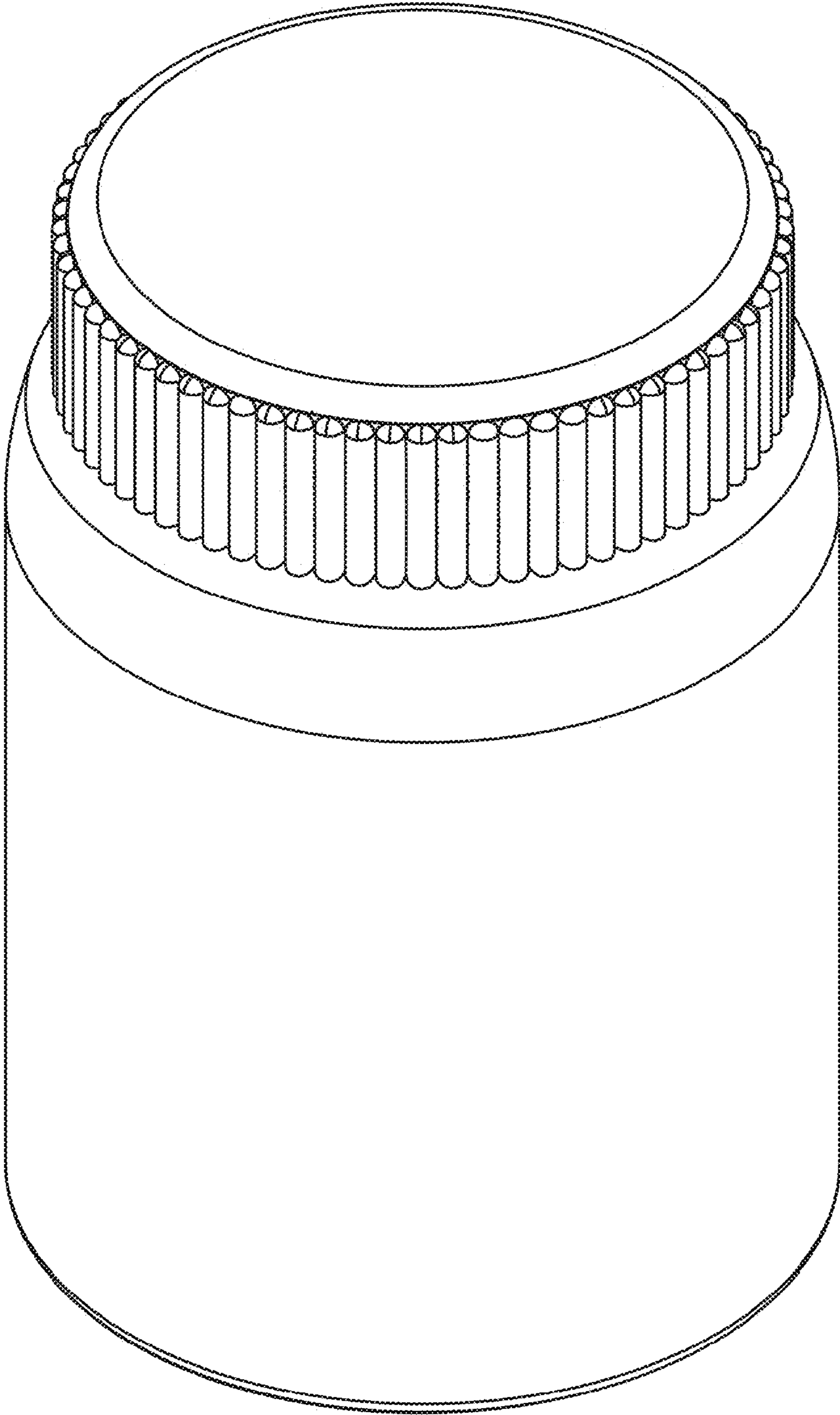


FIG. 4

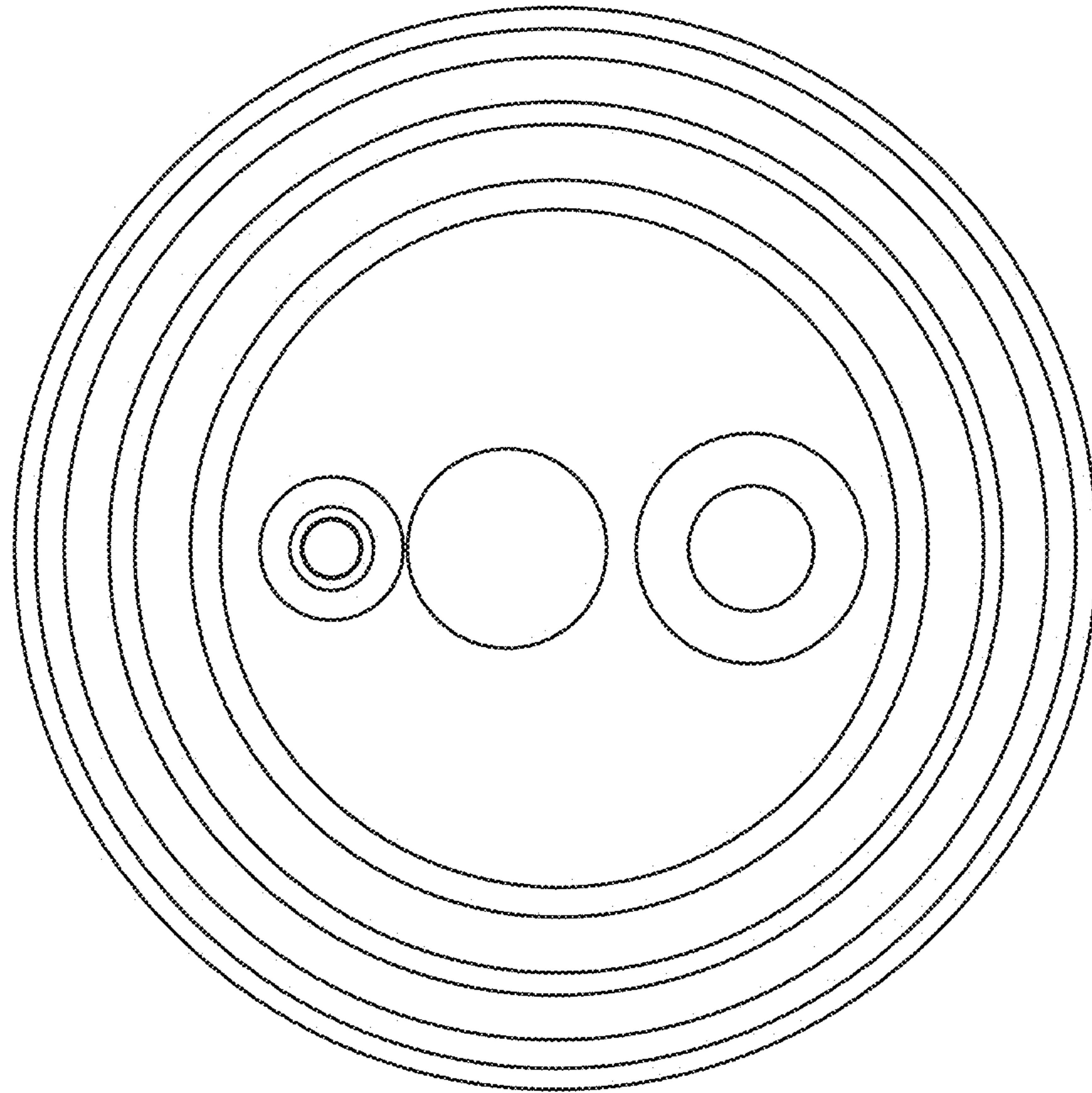


FIG. 5

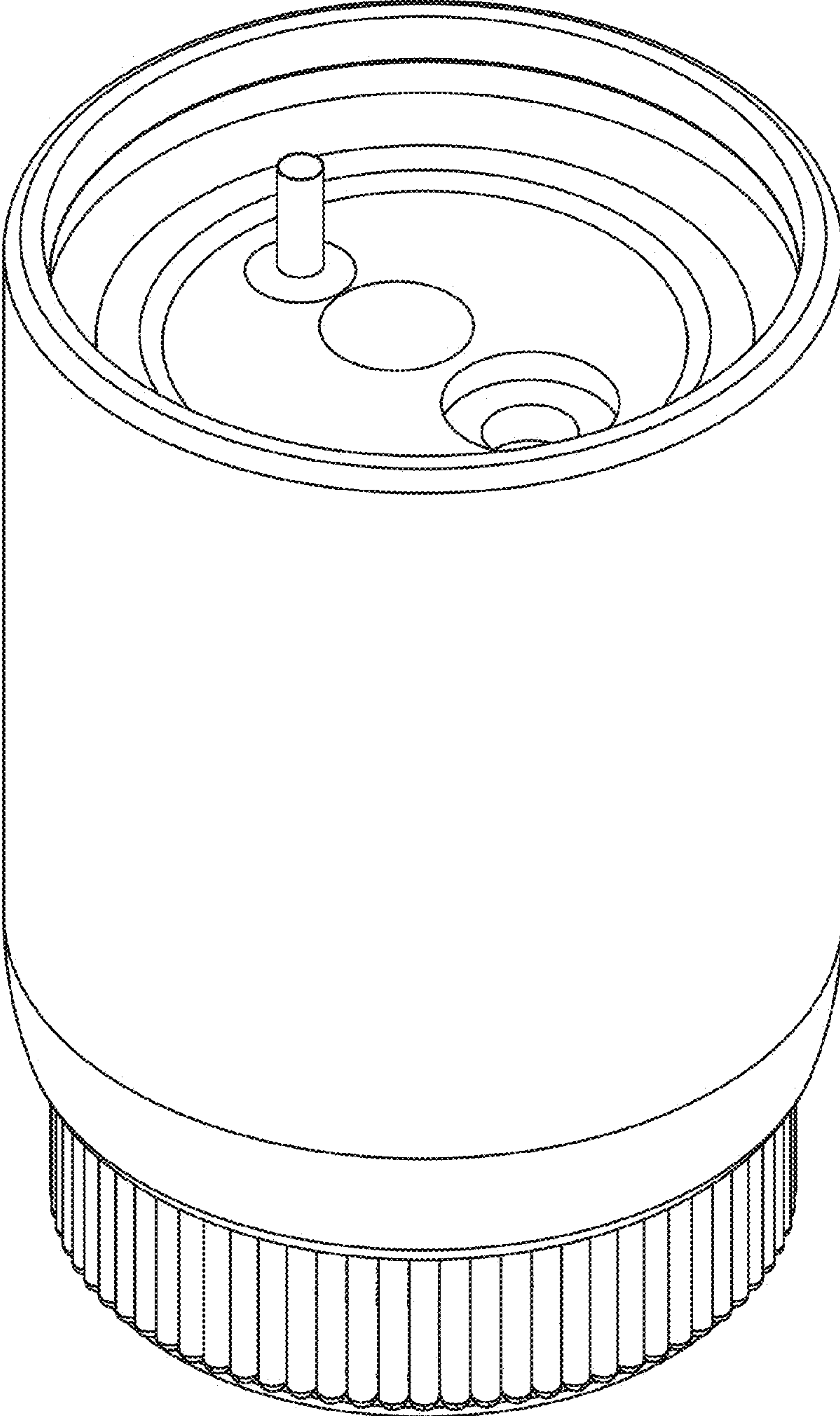


FIG. 6

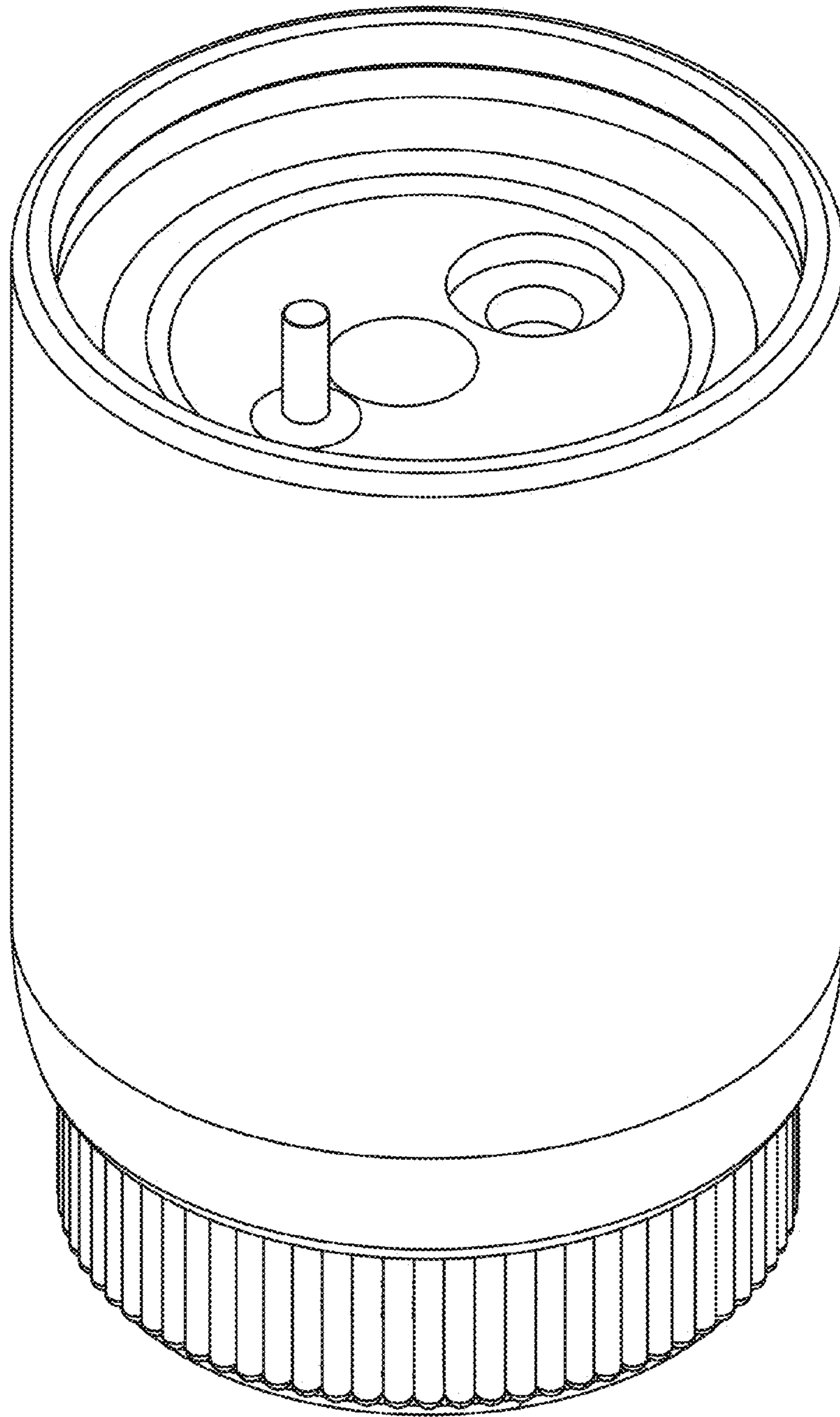


FIG. 7

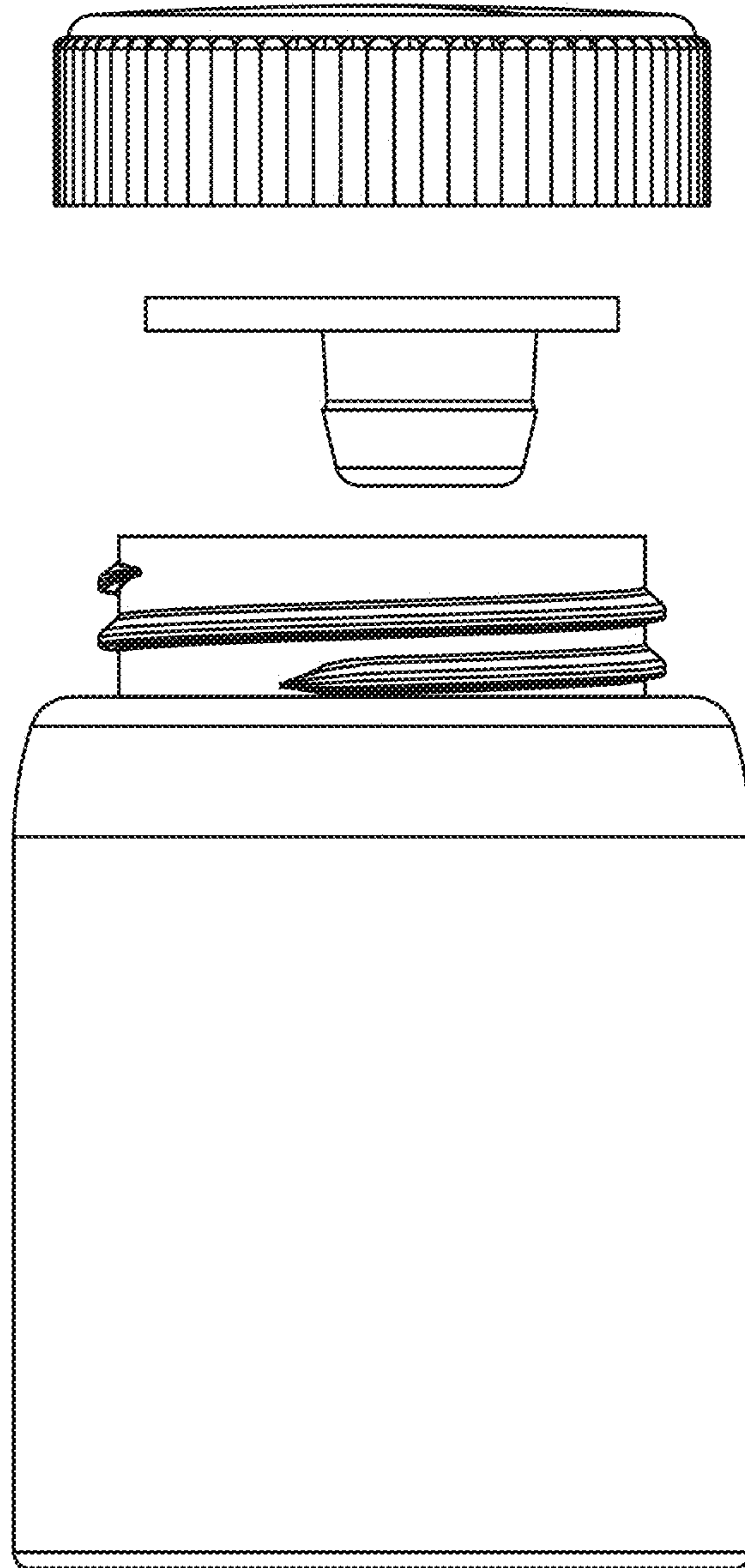


FIG. 8

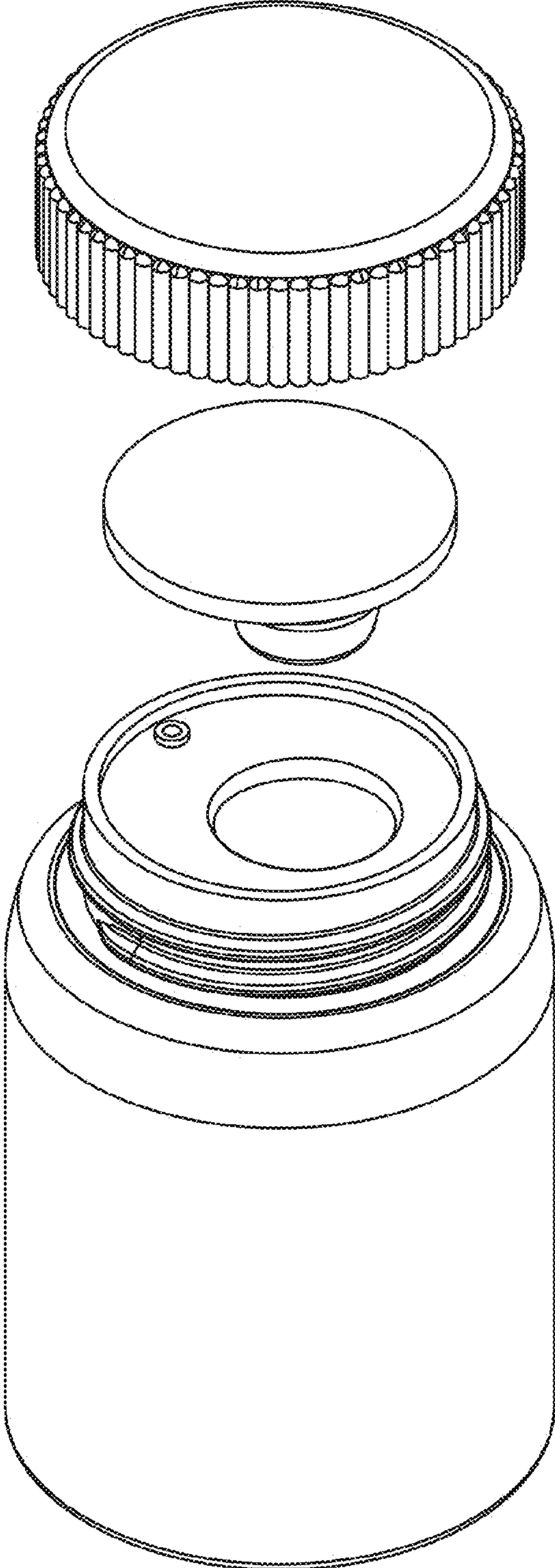


FIG. 9

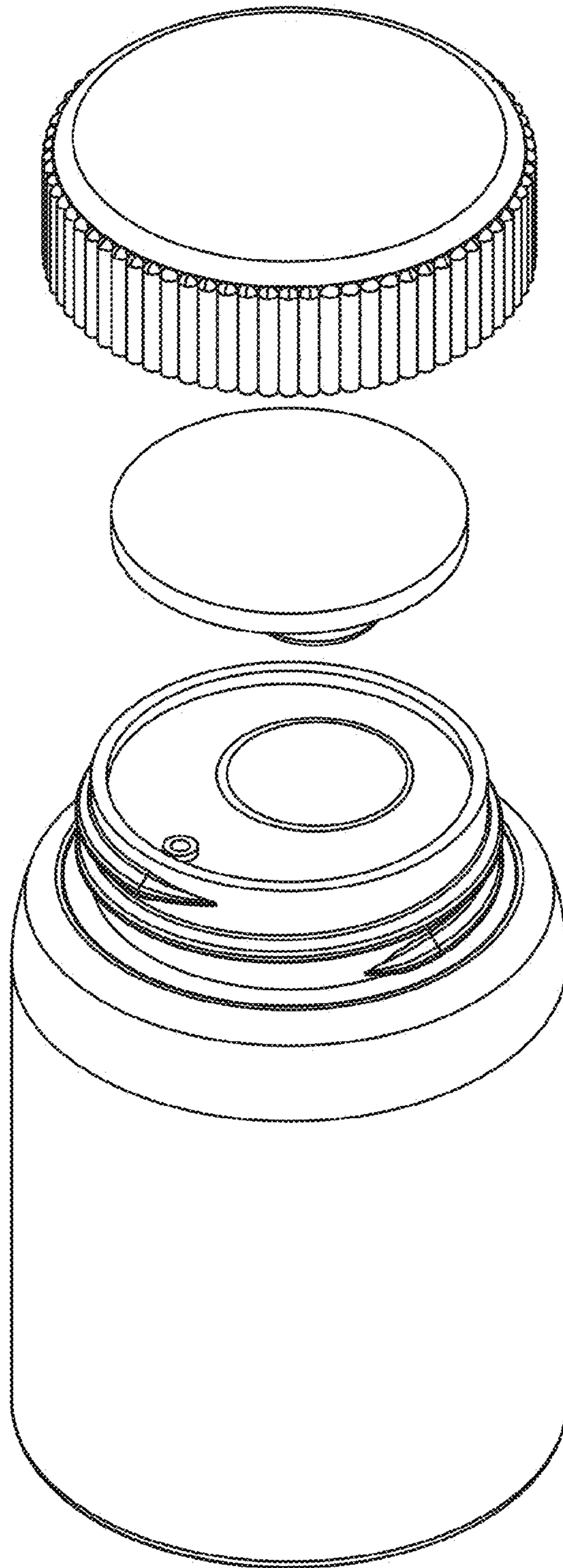


FIG. 10

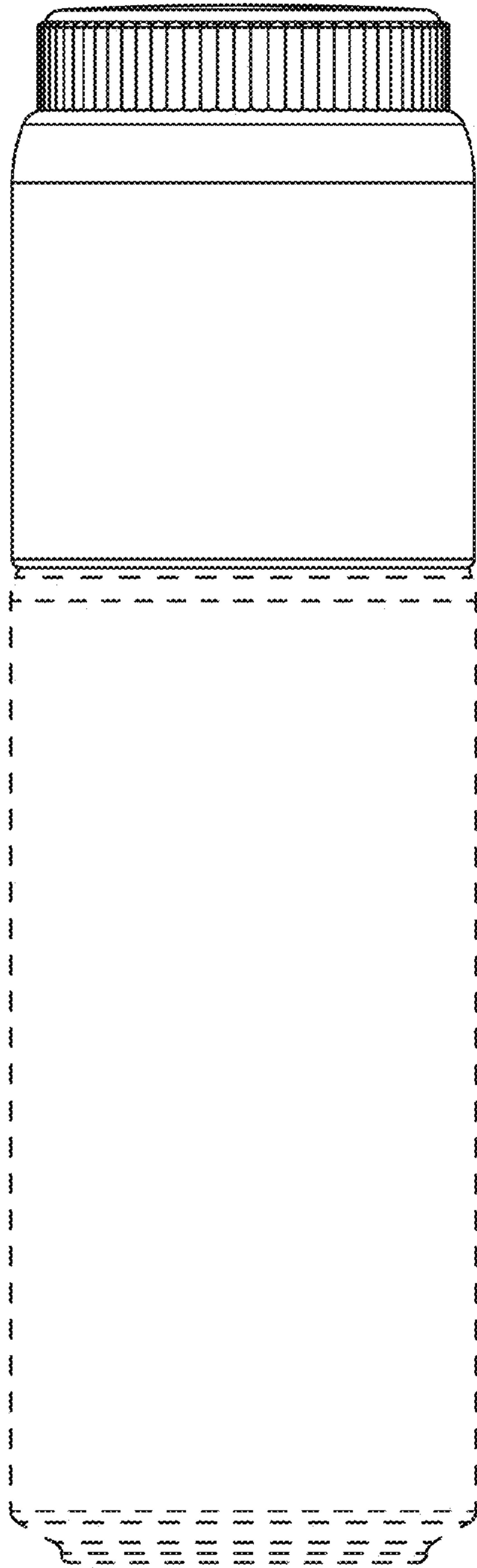


FIG. 11

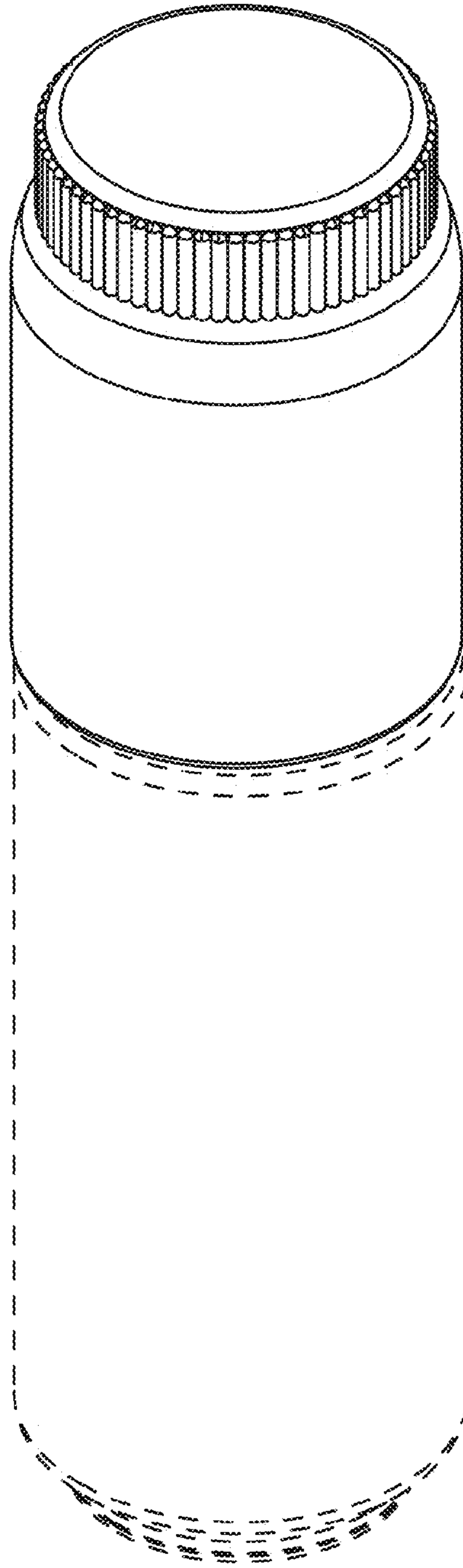


FIG. 12

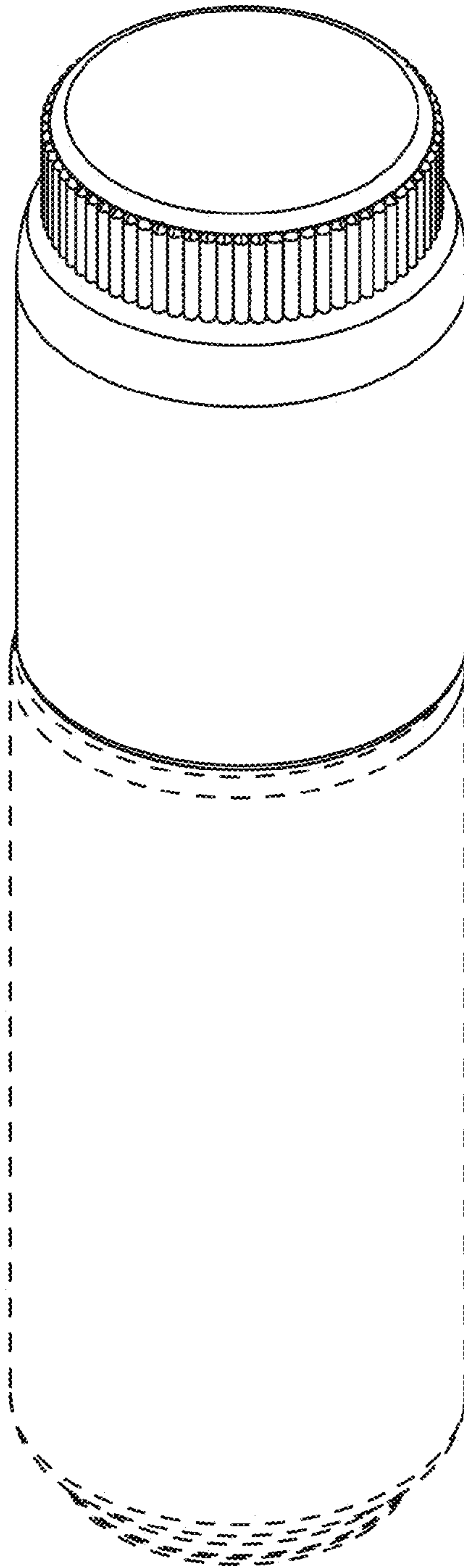


FIG. 13