

US00D731236S

(12) **United States Design Patent**
Yin

(10) **Patent No.:** **US D731,236 S**
(45) **Date of Patent:** **** Jun. 9, 2015**

(54) **BLENDER**

(56) **References Cited**

(71) Applicant: **Whirlpool Corporation**, Benton Harbor, MI (US)

U.S. PATENT DOCUMENTS

(72) Inventor: **Zhaoyi Yin**, Benton Harbor, MI (US)

D383,938 S *	9/1997	Littmann	D7/376
D398,809 S *	9/1998	Henderson	D7/376
D400,756 S *	11/1998	Henderson	D7/376
D425,368 S *	5/2000	Littmann	D7/412
D426,105 S *	6/2000	Littmann	D7/376
D447,380 S *	9/2001	Feil	D7/376
D485,729 S *	1/2004	Patton et al.	D7/379
D510,837 S *	10/2005	Lloyd et al.	D7/376
D592,447 S *	5/2009	Blaise	D7/380
D649,394 S *	11/2011	Grabes et al.	D7/379
D663,573 S *	7/2012	Nordwall	D7/380
D668,911 S *	10/2012	Bachmann et al.	D7/380
D695,565 S *	12/2013	Verbrugge et al.	D7/380

(73) Assignee: **Whirlpool Corporation**, Benton Harbor, MI (US)

(**) Term: **14 Years**

(21) Appl. No.: **29/484,874**

(22) Filed: **Mar. 13, 2014**

(51) **LOC (10) Cl.** **31-00**

* cited by examiner

(52) **U.S. Cl.**
USPC **D7/380; D7/376; D7/379**

Primary Examiner — Ricky Pham

(58) **Field of Classification Search**
USPC D7/372, 376–386, 412–413, 602, 629,
D7/665–666, 669, 679, 693–694;
99/509–511; 241/92, 98,
241/101.01–101.2, 166–169.1, 274–278.2,
241/285.1–285.3, 291, 292.1; 366/64–65,
366/97–98, 100, 130, 197–201, 205–207,
366/219–220, 341–343

(57) **CLAIM**
I claim the ornamental design for a blender, as shown and described.

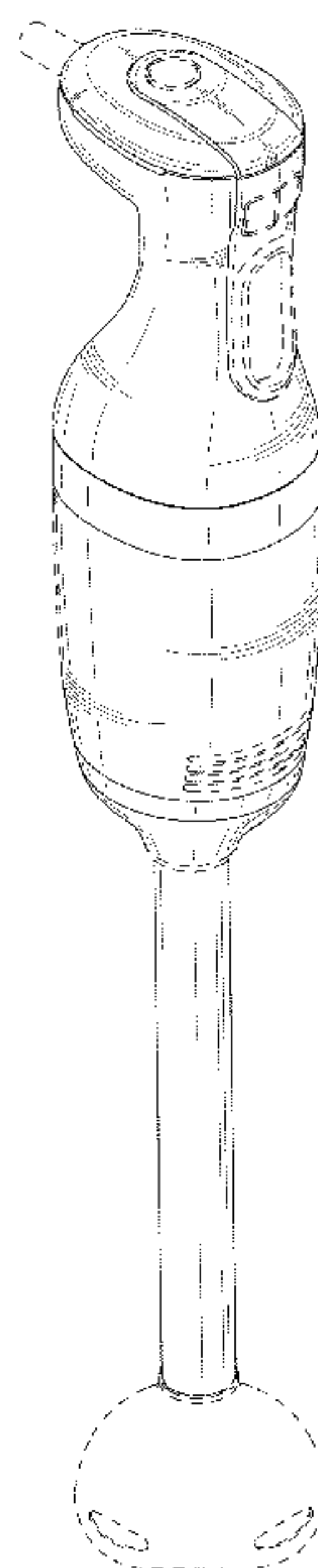
CPC A21C 1/02; A21C 1/04; A23N 1/00;
A23N 1/02; A47J 43/04; A47J 43/25; A47J
43/27; A47J 43/042; A47J 43/044; A47J
43/046; A47J 43/075; A47J 43/0722; A47J
43/0727; B01F 3/00; B01F 3/0807; B01F
3/0853; B01F 13/0059; B01F 13/0064;
B02C 1/08; B02C 2/04; B02C 4/42; B02C
4/142; B02C 4/143; B02C 4/423; B02C
13/1835; B28C 5/10; B28C 5/12; B28C 5/14;
B28C 5/16

DESCRIPTION

FIG. 1 is a rear perspective view of a blender of the present disclosure,
FIG. 2 is a front perspective view of the blender of FIG. 1,
FIG. 3 is a rear elevational view of the blender of FIG. 1,
FIG. 4 is a front elevational view of the blender of FIG. 1,
FIG. 5 is a first side elevational view of the blender of FIG. 1,
FIG. 6 is a second side elevational view of the blender of FIG. 1,
FIG. 7 is a top plan view of the blender of FIG. 1; and,
FIG. 8 is a bottom plan view of the blender of FIG. 1.
The broken lines shown in the drawings are for illustrative purposes only and form no part of the claimed design.

See application file for complete search history.

1 Claim, 4 Drawing Sheets



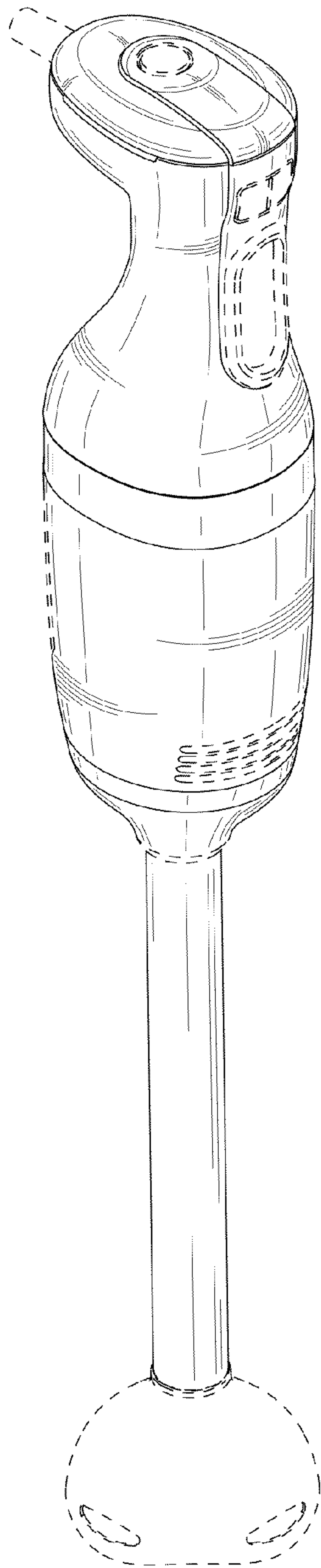


FIG. 1

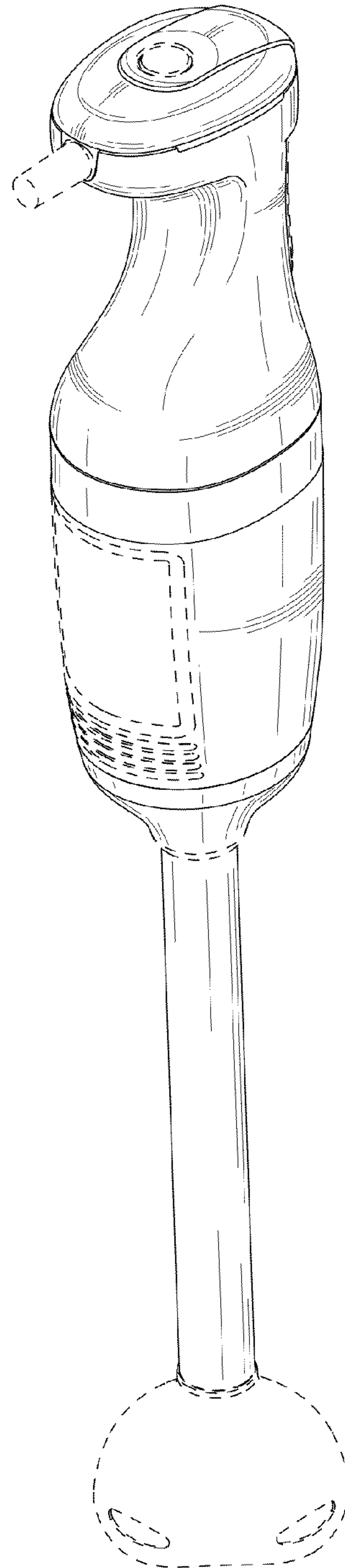


FIG. 2

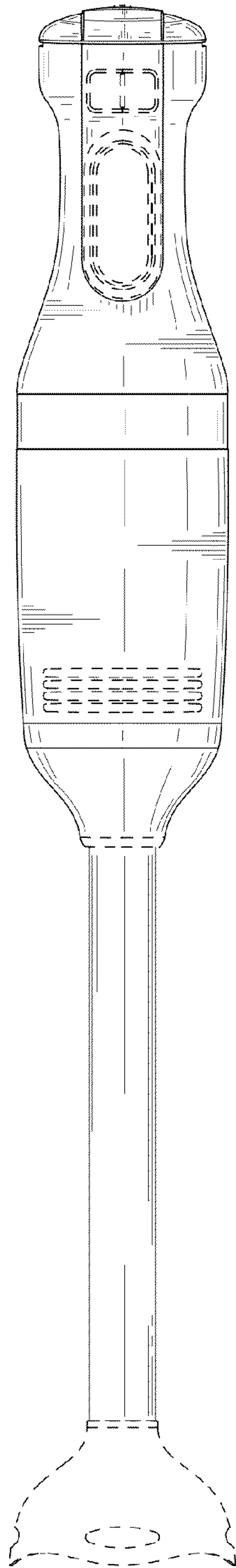


FIG. 3

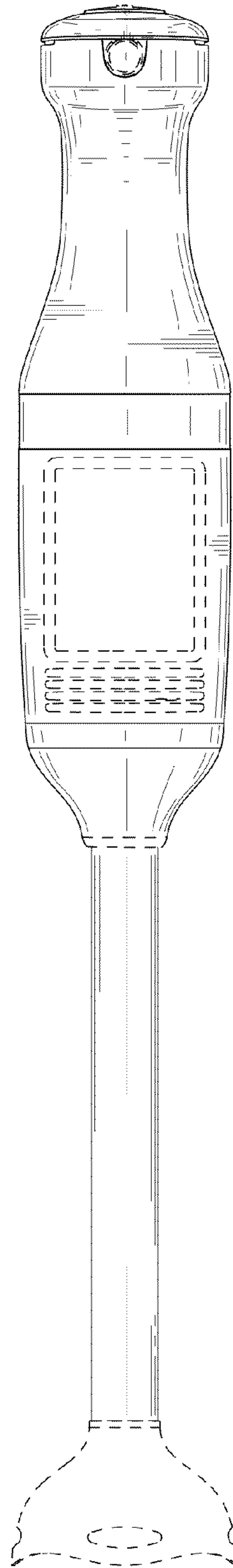


FIG. 4

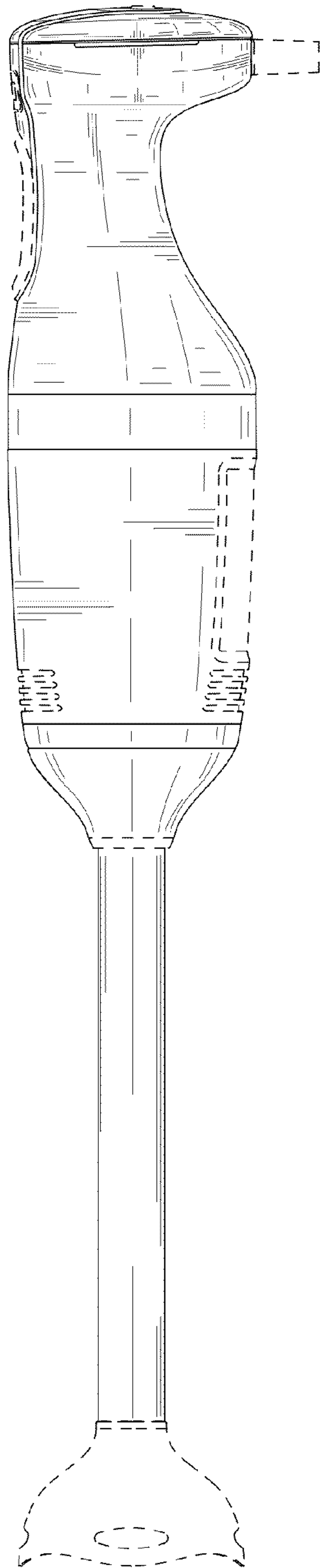


FIG. 5

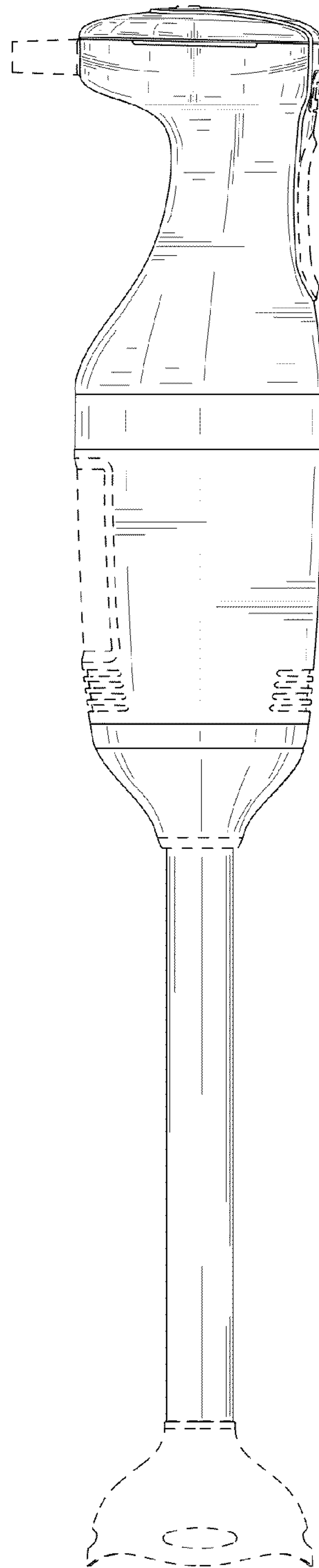


FIG. 6

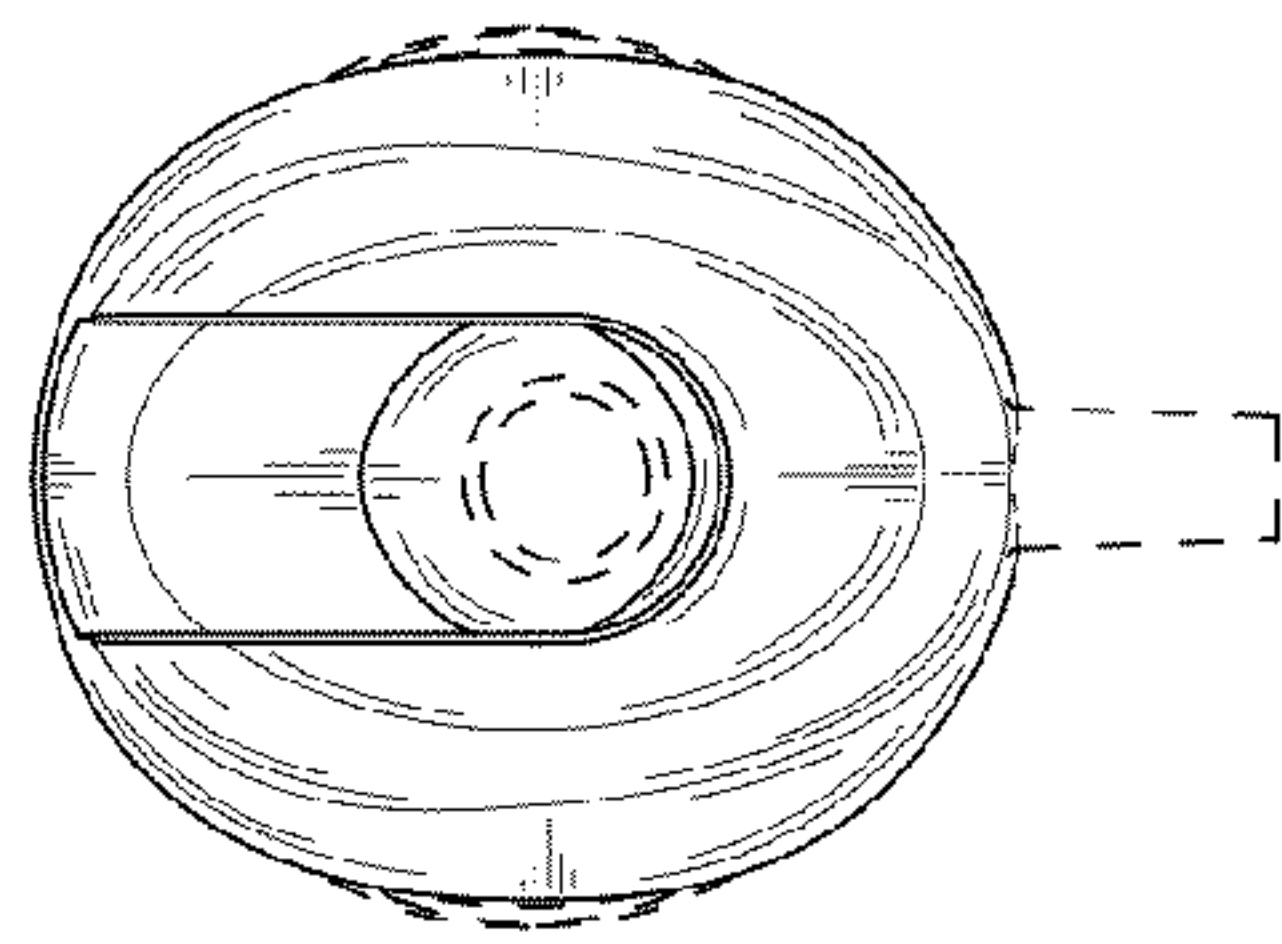


FIG. 7

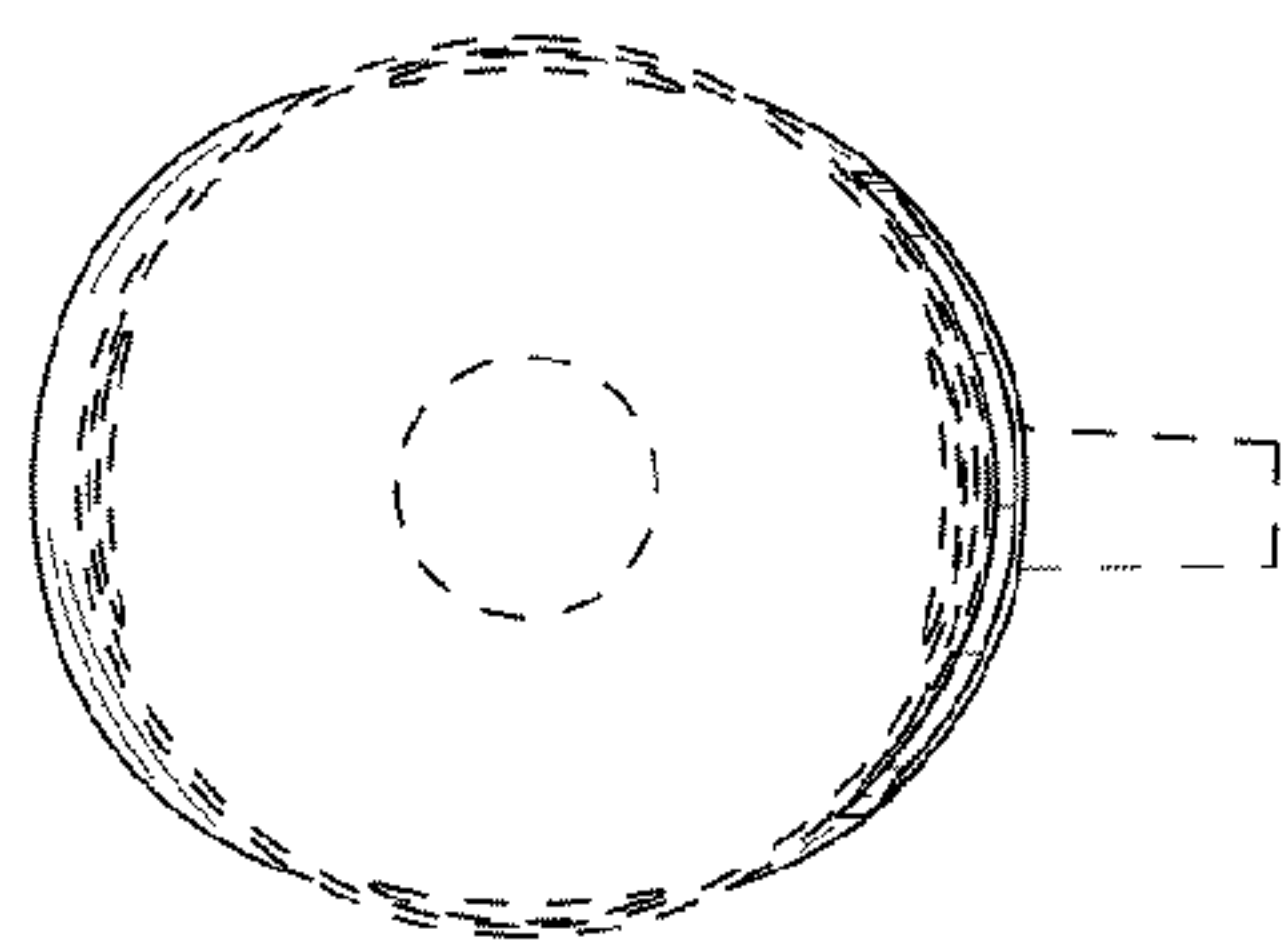


FIG. 8