



US00D731235S

(12) **United States Design Patent**
Bradley

(10) **Patent No.:** **US D731,235 S**
(45) **Date of Patent:** **** Jun. 9, 2015**

(54) **BLENDER**

B02C 4/142; B02C 4/143; B02C 4/423;
B02C 13/1835; B28C 5/10; B28C 5/12;
B28C 5/14; B28C 5/16; H02P 7/295

(71) Applicant: **Euro Suisse International Limited,**
Kowloon (HK)

See application file for complete search history.

(72) Inventor: **Louise Bradley,** Dubai (AE)

(56) **References Cited**

(73) Assignee: **EURO SUISSE INTERNATIONAL LIMITED,** Kowloon (HK)

U.S. PATENT DOCUMENTS

(**) Term: **14 Years**

(21) Appl. No.: **29/492,345**

(22) Filed: **May 30, 2014**

(30) **Foreign Application Priority Data**

Mar. 31, 2014 (AP) AP/D/2014/000838

(51) **LOC (10) Cl.** **31-00**

(52) **U.S. Cl.**
USPC **D7/378; D7/376; D7/384**

(58) **Field of Classification Search**
USPC D7/326, 372, 376-386, 412-413, 602,
D7/629, 665-666, 669, 679, 693-694;
99/509-511; 241/92, 98,
241/101.01-101.2, 166-169.1, 199.12,
241/274-278.2, 285.1-285.3, 291, 292.1;
318/443; 366/64-65, 97-98, 100, 130,
366/197-201, 205-207, 219-220, 341-343
CPC A21C 1/02; A21C 1/04; A23N 1/00;
A23N 1/02; A47J 43/04; A47J 43/25; A47J
43/27; A47J 43/042; A47J 43/044; A47J
43/046; A47J 43/075; A47J 43/0722; A47J
43/0727; A47J 43/0777; B01F 3/00; B01F
3/0807; B01F 3/0853; B01F 13/0059; B01F
13/0064; B02C 1/08; B02C 2/04; B02C 4/42;

3,175,594	A *	3/1965	Ivar et al.	241/199.12
D204,924	S *	5/1966	Di Sesa	D7/378
D502,358	S *	3/2005	Weaden	D7/378
D519,314	S *	4/2006	Blaise	D7/378
D553,425	S *	10/2007	Steiner et al.	D7/378
D553,426	S *	10/2007	Lin	D7/378
D556,506	S *	12/2007	Spagnolo et al.	D7/378
D578,340	S *	10/2008	Picozza et al.	D7/378
D613,547	S *	4/2010	Day et al.	D7/378
D629,643	S *	12/2010	Bower	D7/378
D630,467	S *	1/2011	Harrod	D7/376
D679,935	S *	4/2013	Tse et al.	D7/326
2004/0042337	A1 *	3/2004	Yiu et al.	366/199

* cited by examiner

Primary Examiner — Ricky Pham

(74) *Attorney, Agent, or Firm* — Leason Ellis LLP

(57) **CLAIM**

The ornamental design for a blender, as shown and described.

DESCRIPTION

FIG. 1 is a front elevation view of a blender showing my new design;
FIG. 2 is a rear elevation view thereof;
FIG. 3 is a left side elevation view thereof;
FIG. 4 is a right side elevation view thereof;
FIG. 5 is a top plan view thereof; and,
FIG. 6 is a bottom plan view thereof.

1 Claim, 6 Drawing Sheets

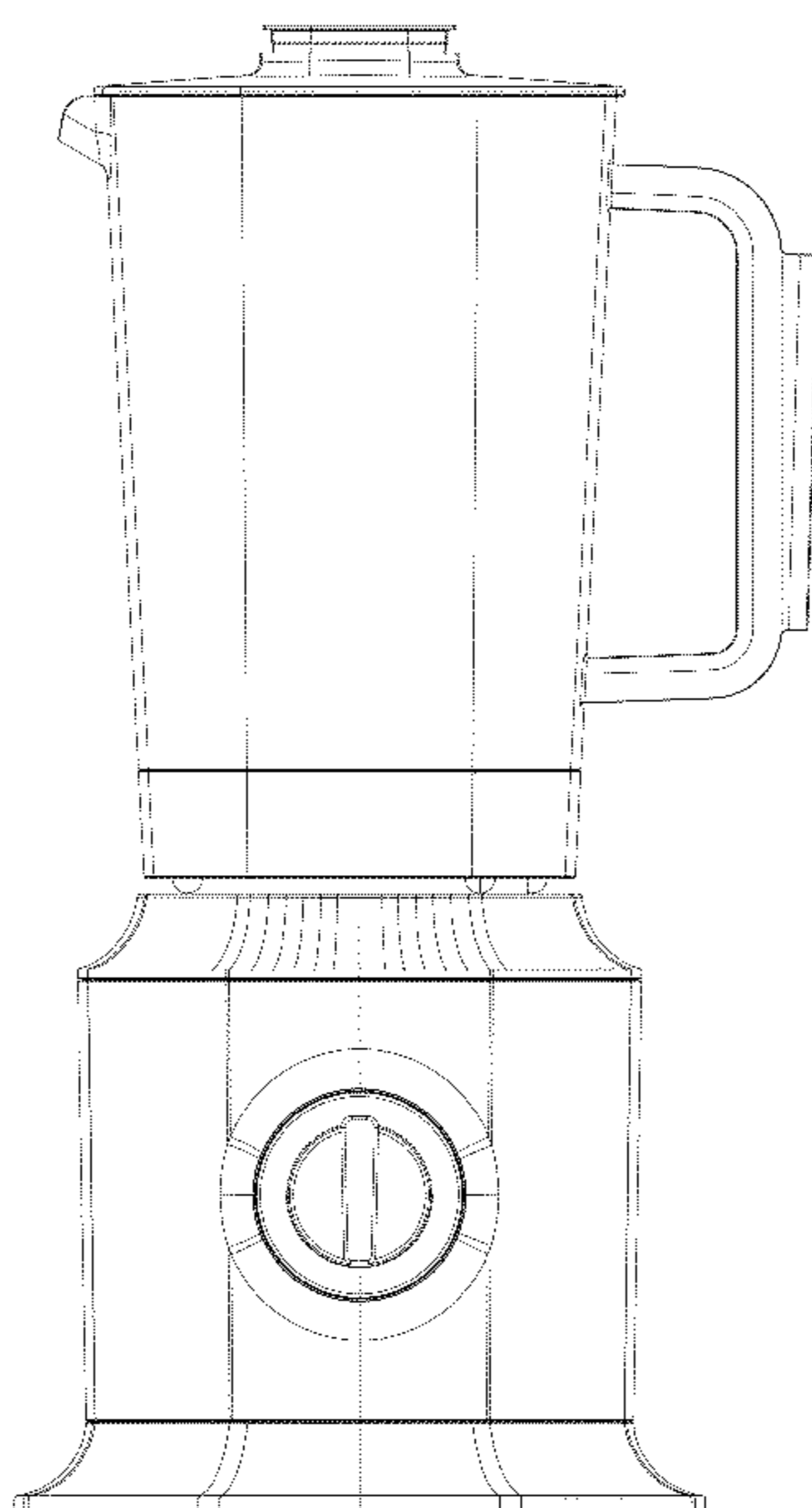
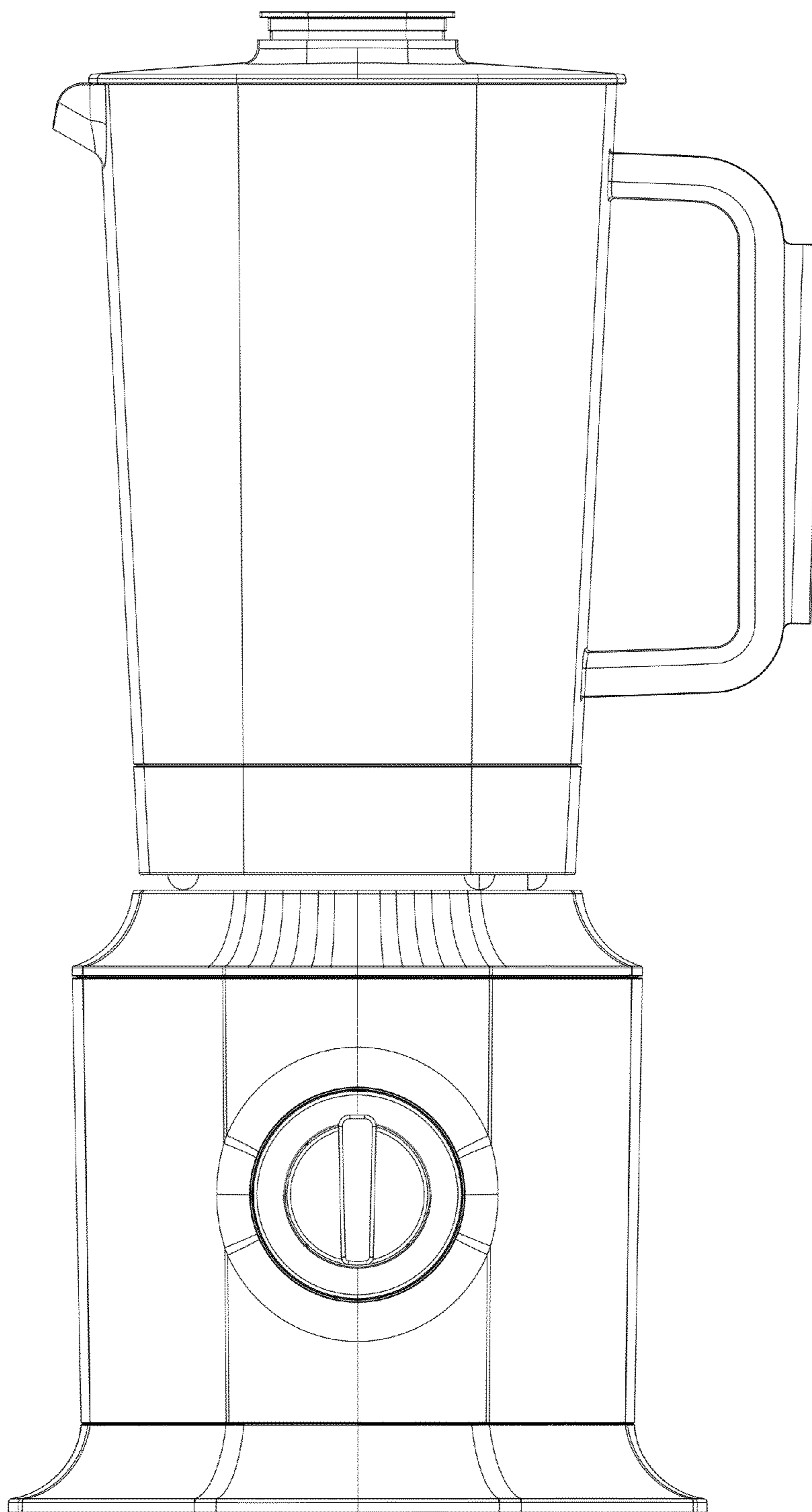


Fig. 1



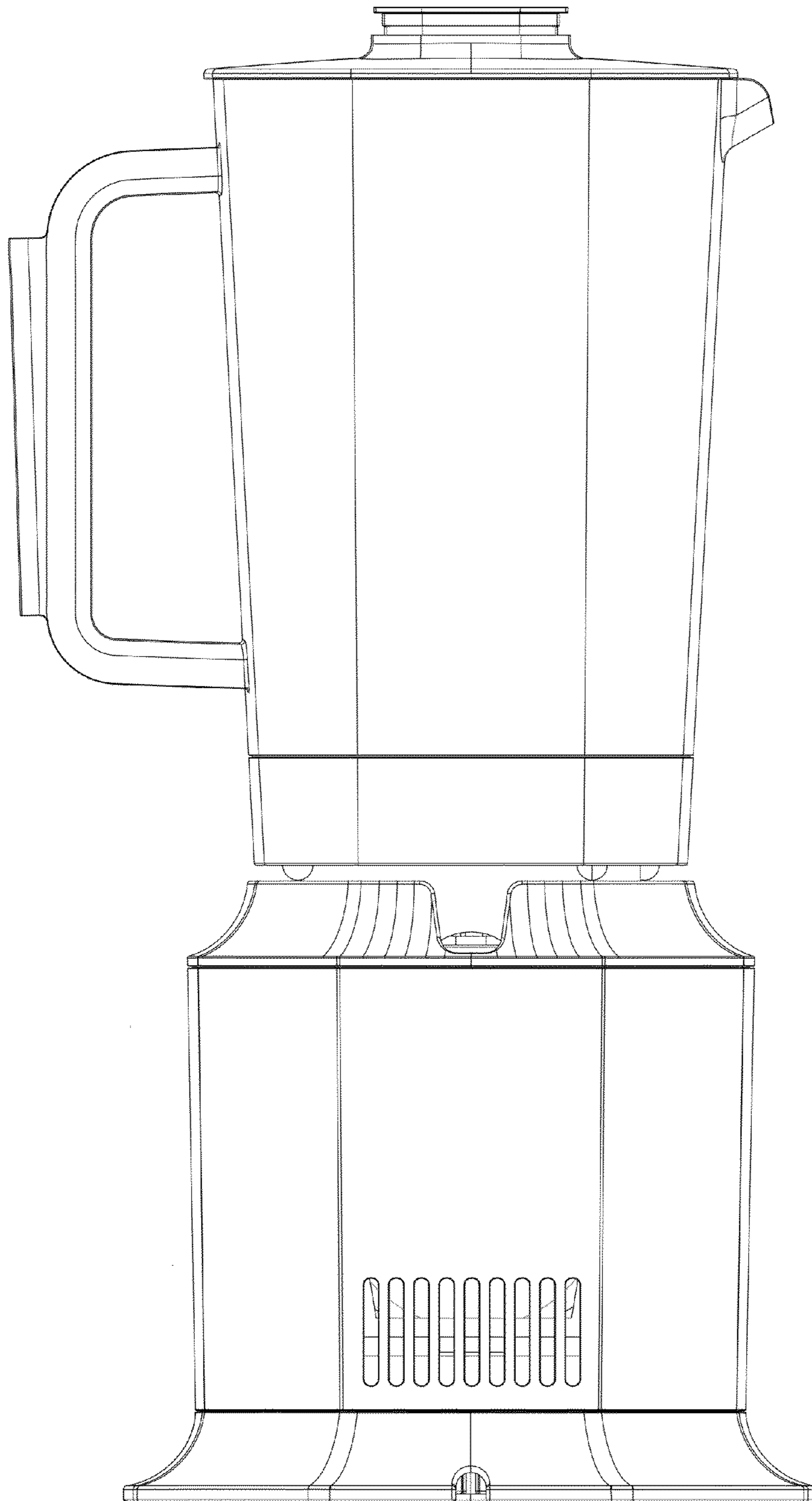


Fig. 2

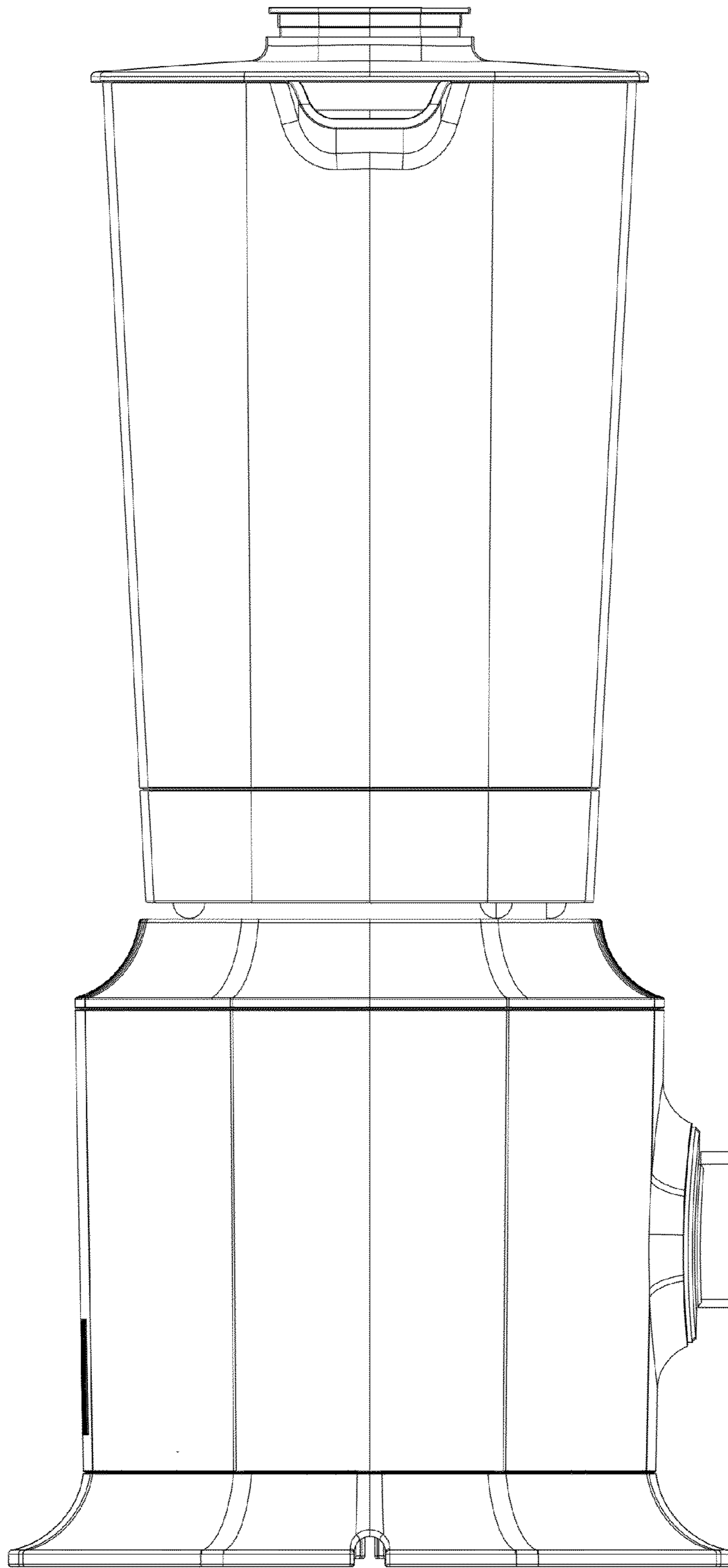


Fig. 3

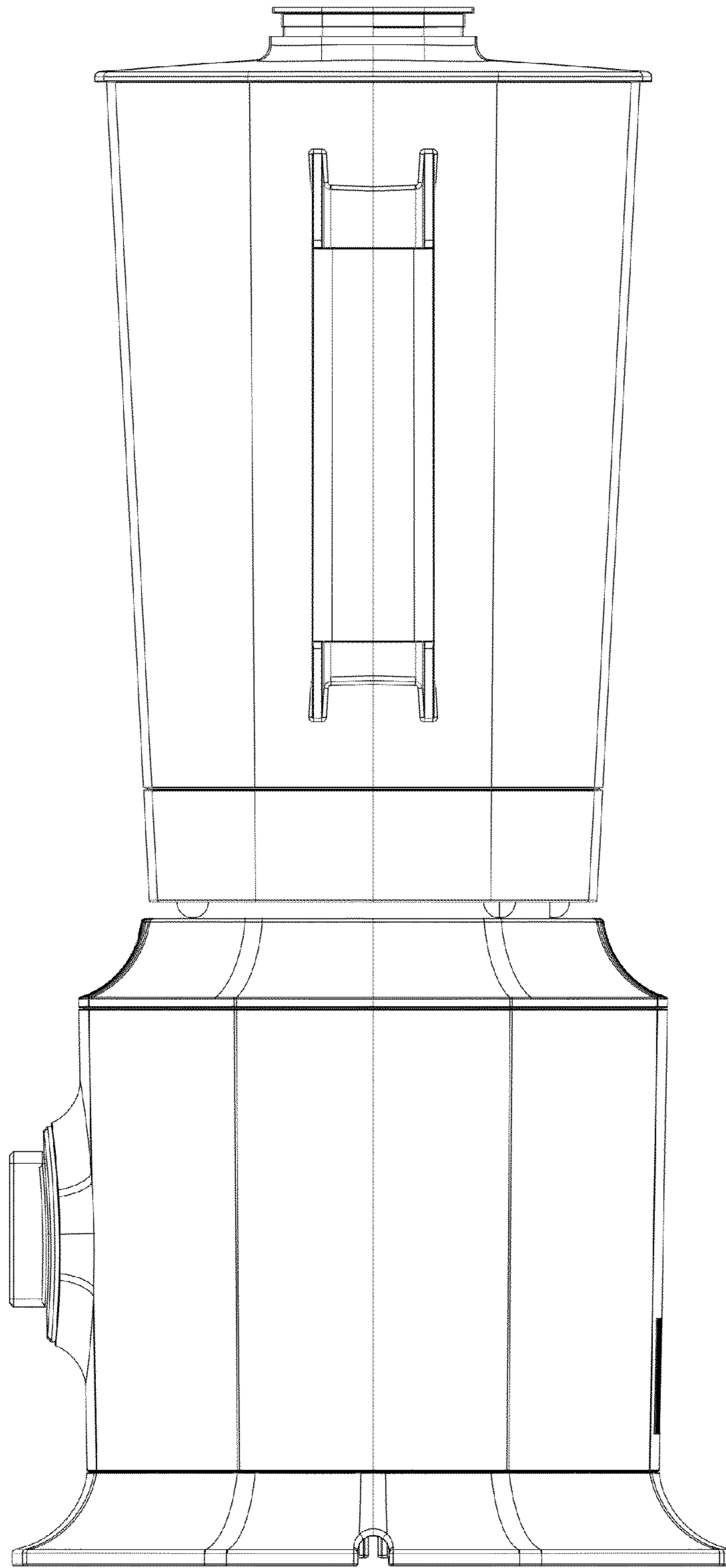


Fig. 4

Fig. 5

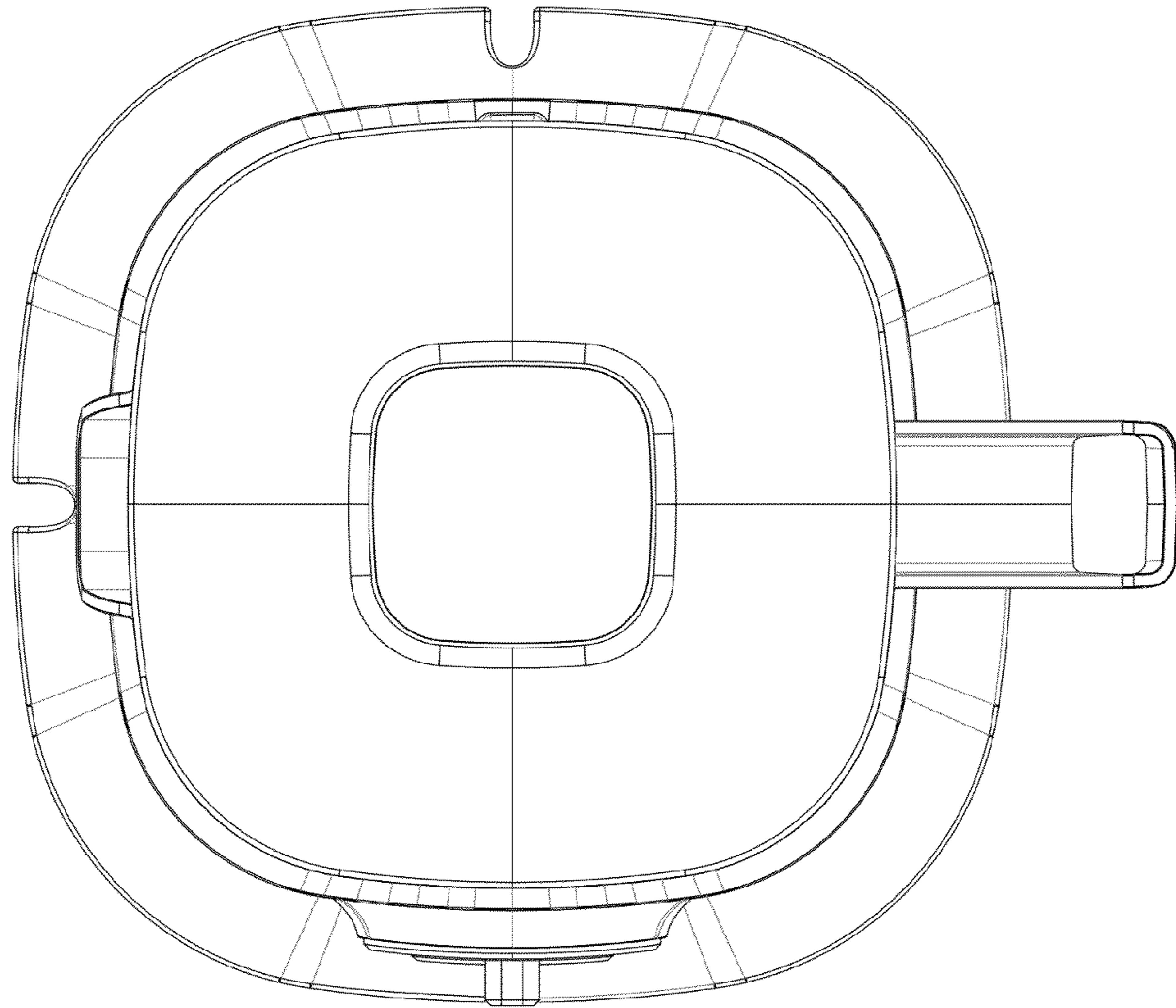


Fig. 6

