



US00D731230S

(12) **United States Design Patent**
Librus

(10) **Patent No.:** **US D731,230 S**
(45) **Date of Patent:** **** Jun. 9, 2015**

(54) **BAKING PAN**

(56) **References Cited**

(71) Applicant: **RL Industry Company Ltd.**, Ningbo (CN)

U.S. PATENT DOCUMENTS

(72) Inventor: **Michael Librus**, Netanya, IL (US)

D287,559 S *	1/1987	Daenen et al.	D7/586
D378,039 S *	2/1997	Ferris	D7/602
D417,367 S *	12/1999	Laib	D7/602
D470,712 S *	2/2003	Swinford et al.	D7/360
D470,713 S *	2/2003	Swinford et al.	D7/360
D607,688 S *	1/2010	Hart et al.	D7/360
D609,530 S *	2/2010	Hart et al.	D7/545
D611,305 S *	3/2010	Hart et al.	D7/545
D631,703 S *	2/2011	Green-Cotton et al.	D7/545
D633,339 S *	3/2011	Hart et al.	D7/538
D684,007 S *	6/2013	Dagan et al.	D7/393
D689,733 S *	9/2013	Parr	D7/360
2007/0080163 A1 *	4/2007	Yeung	220/675

(73) Assignee: **RL Industry Company Ltd.**, Ningbo (CN)

(**) Term: **14 Years**

(21) Appl. No.: **29/489,238**

(22) Filed: **Apr. 29, 2014**

(51) **LOC (10) Cl.** **07-02**

* cited by examiner

(52) **U.S. Cl.**
USPC **D7/354**

Primary Examiner — Ricky Pham

(58) **Field of Classification Search**
USPC D7/323, 354–361, 393, 538, 543, 545,
D7/549, 550.1, 553.1–553.8, 554.1–554.4,
D7/555, 584, 586, 602; D9/430–433,
D9/455–456, 737, 756–762; 99/422,
99/425–426, 432, DIG. 15; 219/450.1,
219/620–622, 725; 220/500, 506–507,
220/573.1–573.5, 574–575, 607–608, 675,
220/752–753, 912; 229/903–904, 906
CPC A21B 3/00; A21B 3/13; A21B 3/15;
A21B 3/134; A21B 5/00; A21B 5/02; A47J
36/022; A47J 36/025; A47J 36/027; A47J
36/04; A47J 37/00; A47J 37/04; B65D 1/22;
B65D 1/24; B65D 1/34; B65D 1/36; B65D
81/343; B65D 85/36

(74) *Attorney, Agent, or Firm* — Mark M. Friedman

See application file for complete search history.

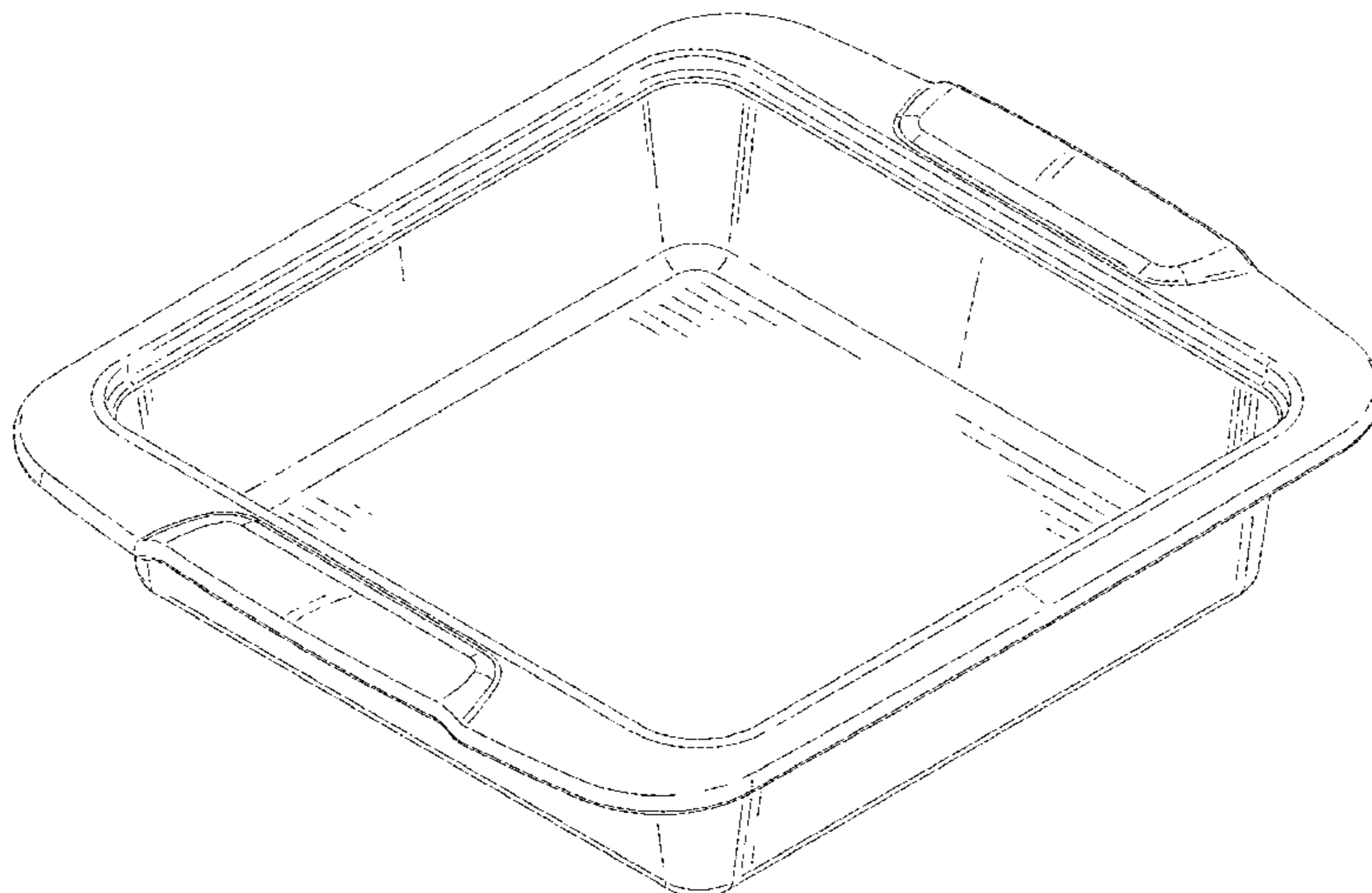
(57) **CLAIM**

The ornamental design for baking pan, as shown and described.

DESCRIPTION

FIG. 1 is a top view of a baking pan showing my design;
FIG. 2 is a bottom view thereof;
FIG. 3 is a right side view thereof;
FIG. 4 is left side view thereof;
FIG. 5 is a front side view thereof;
FIG. 6 is a back side view thereof;
FIG. 7 is a top perspective view thereof; and,
FIG. 8 is a bottom perspective view thereof.

1 Claim, 8 Drawing Sheets



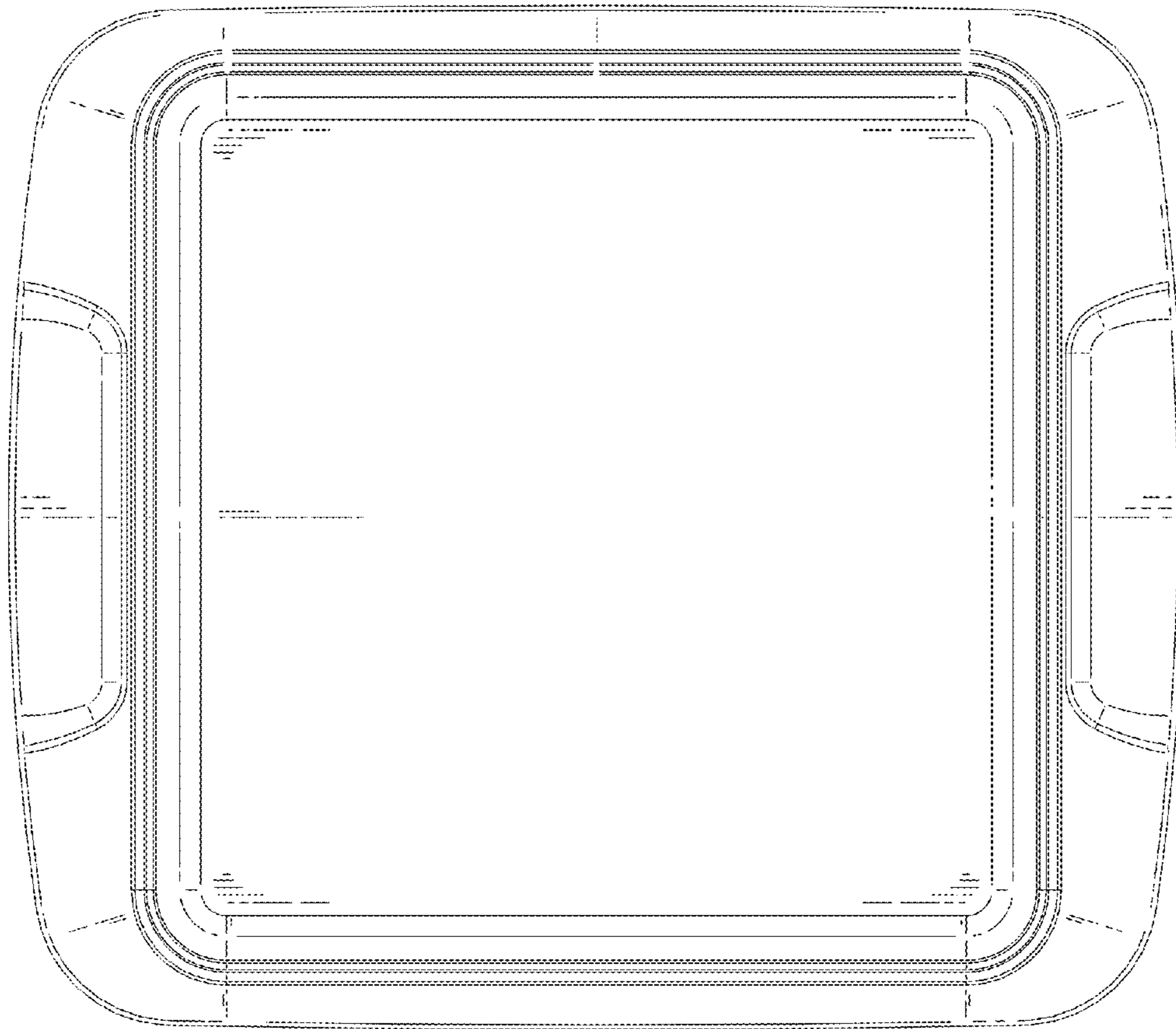


FIG. 1

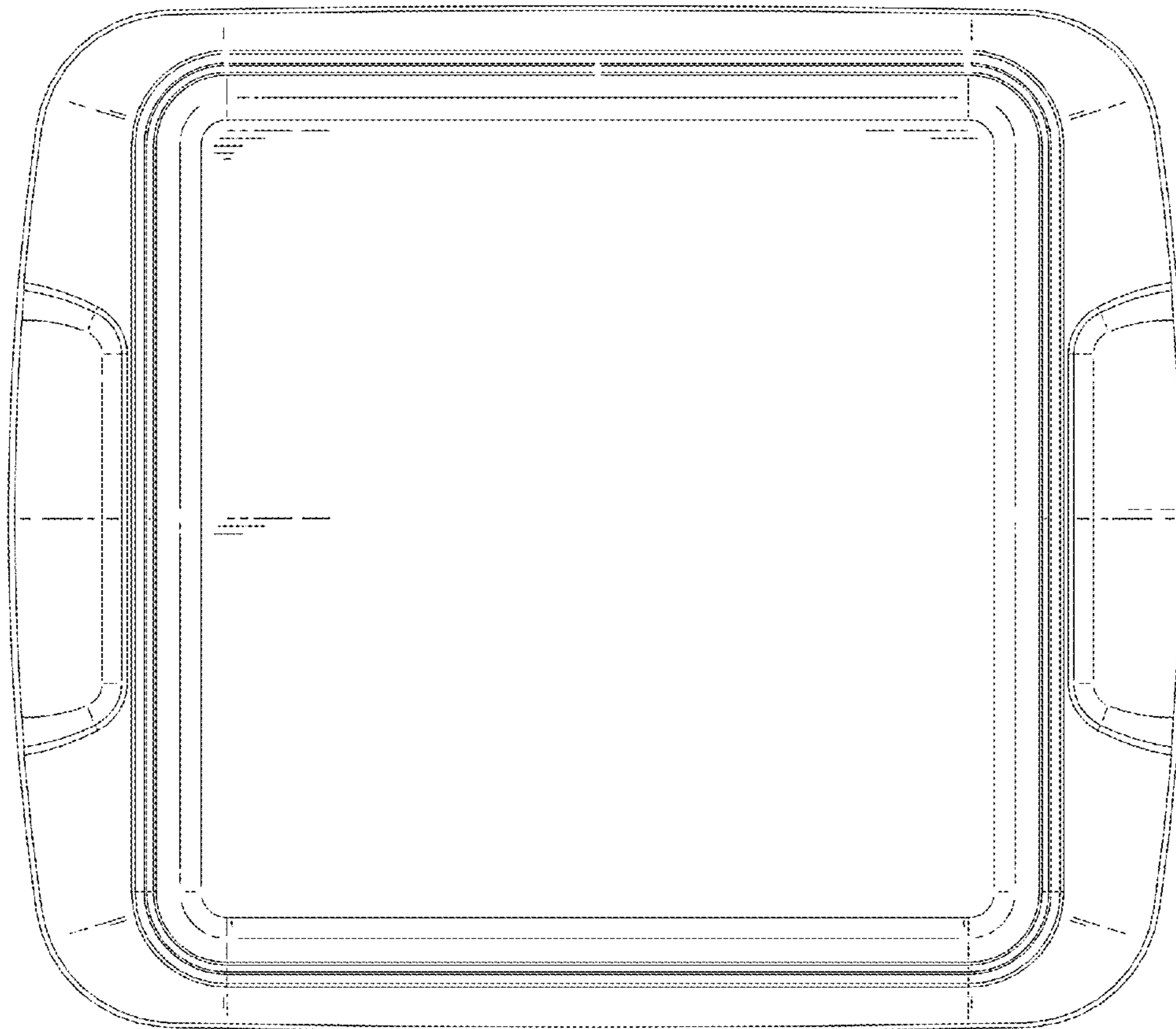


FIG.2

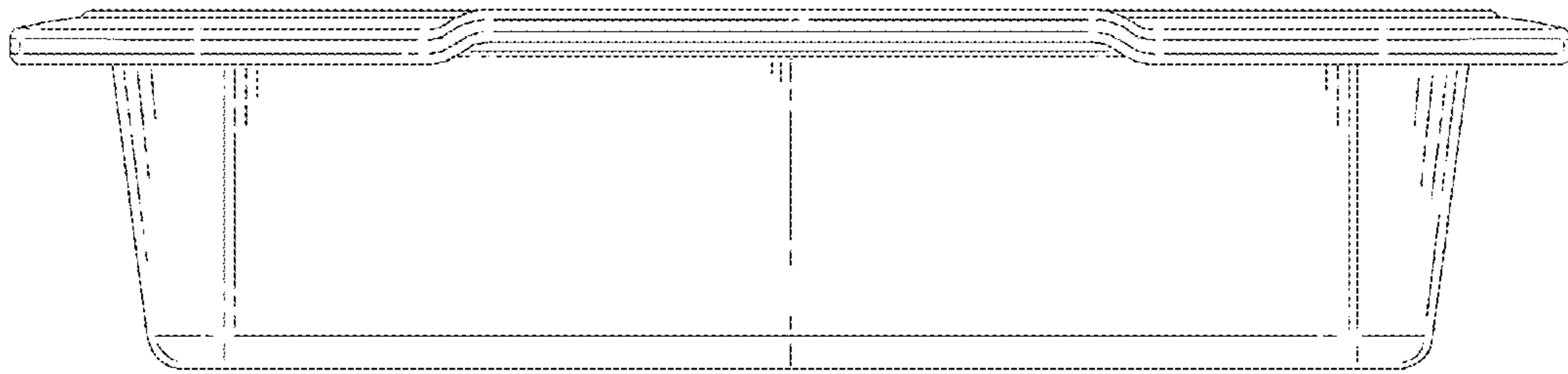


FIG.3

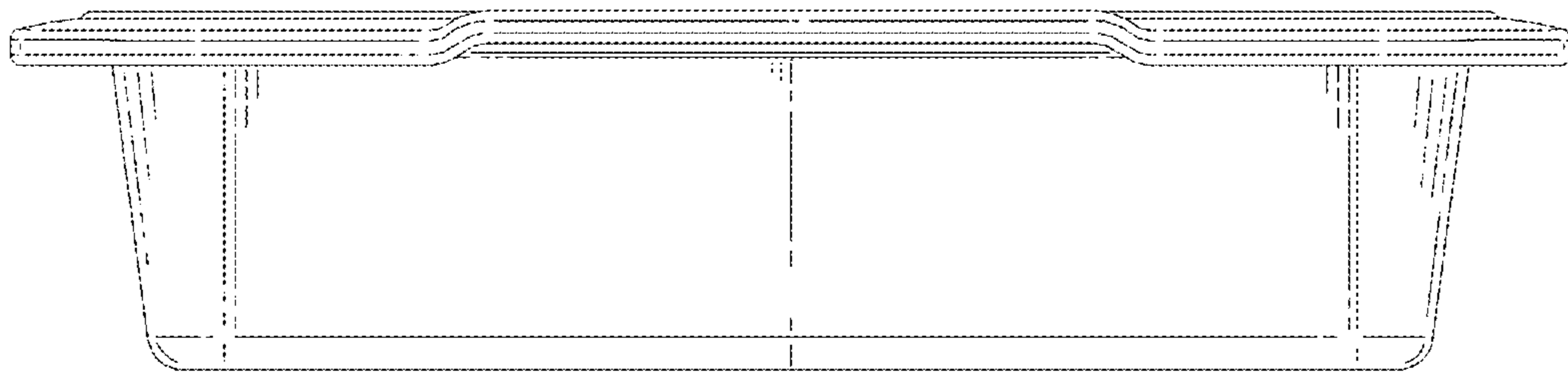


FIG.4

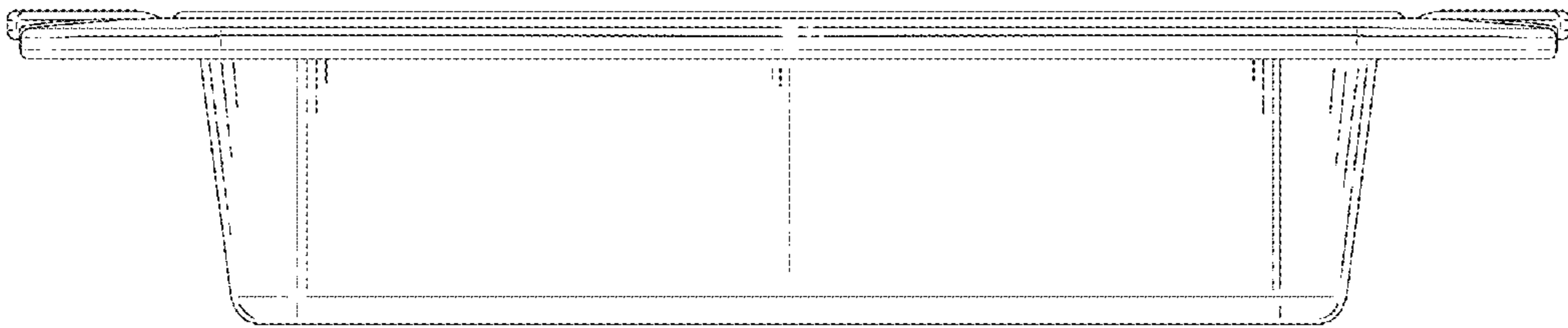


FIG.5

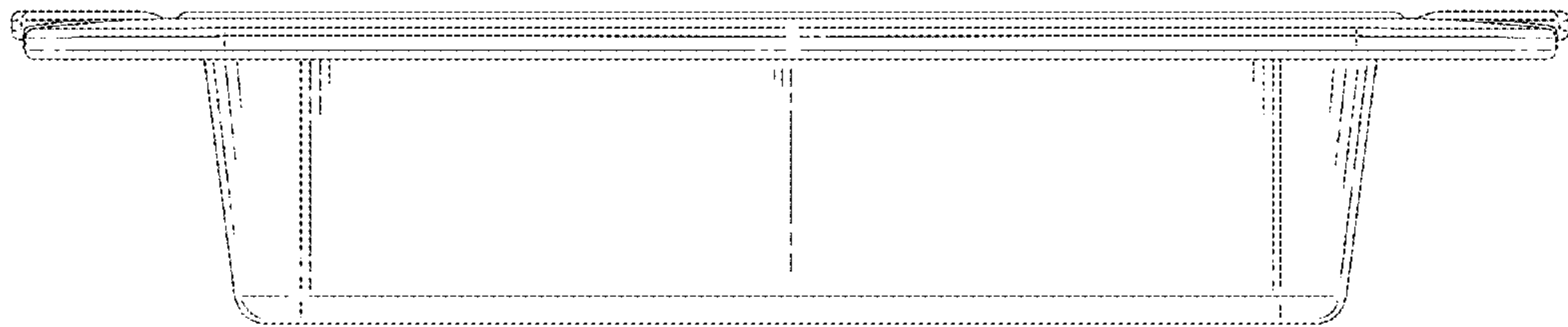


FIG.6

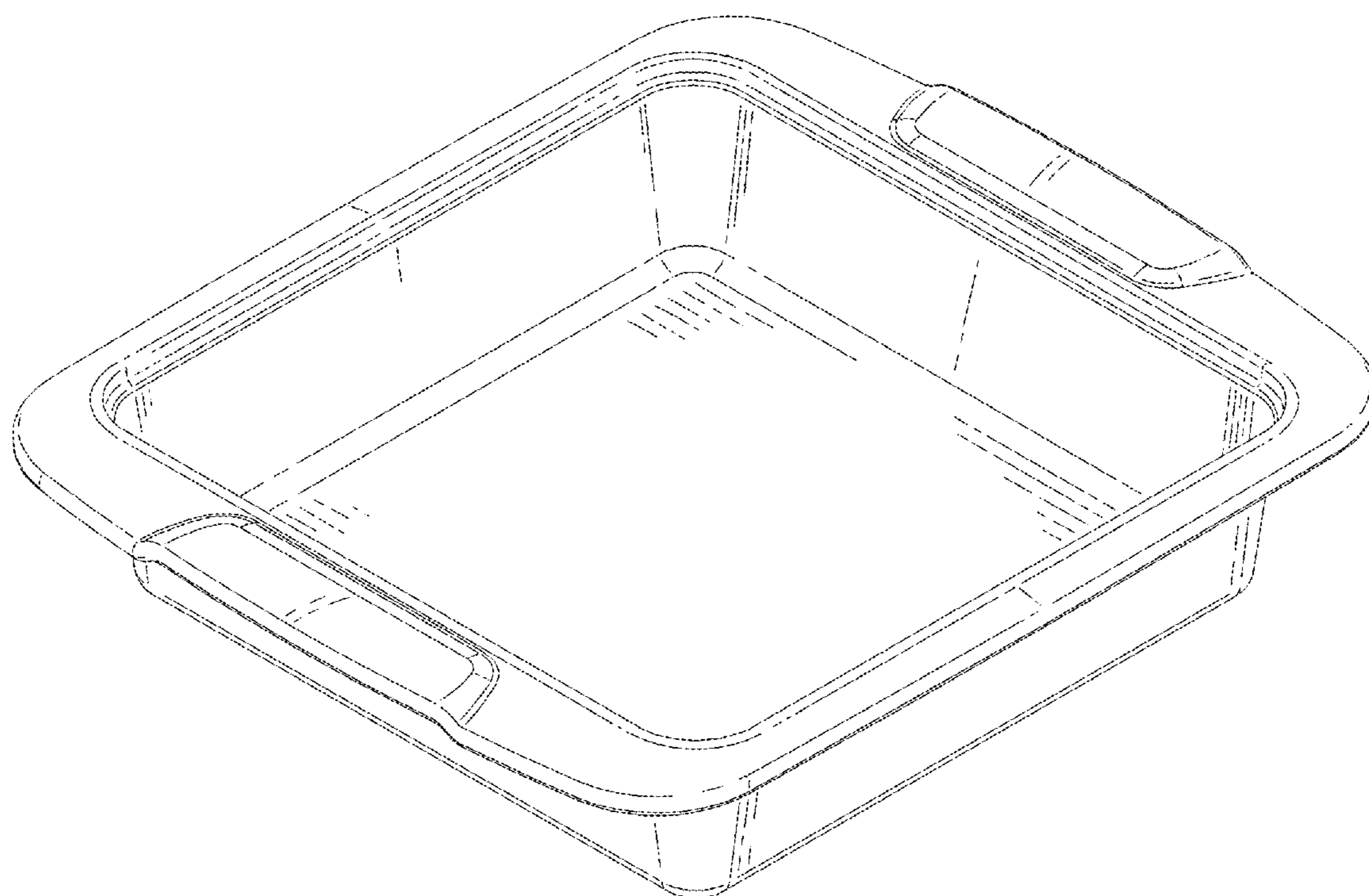


FIG.7

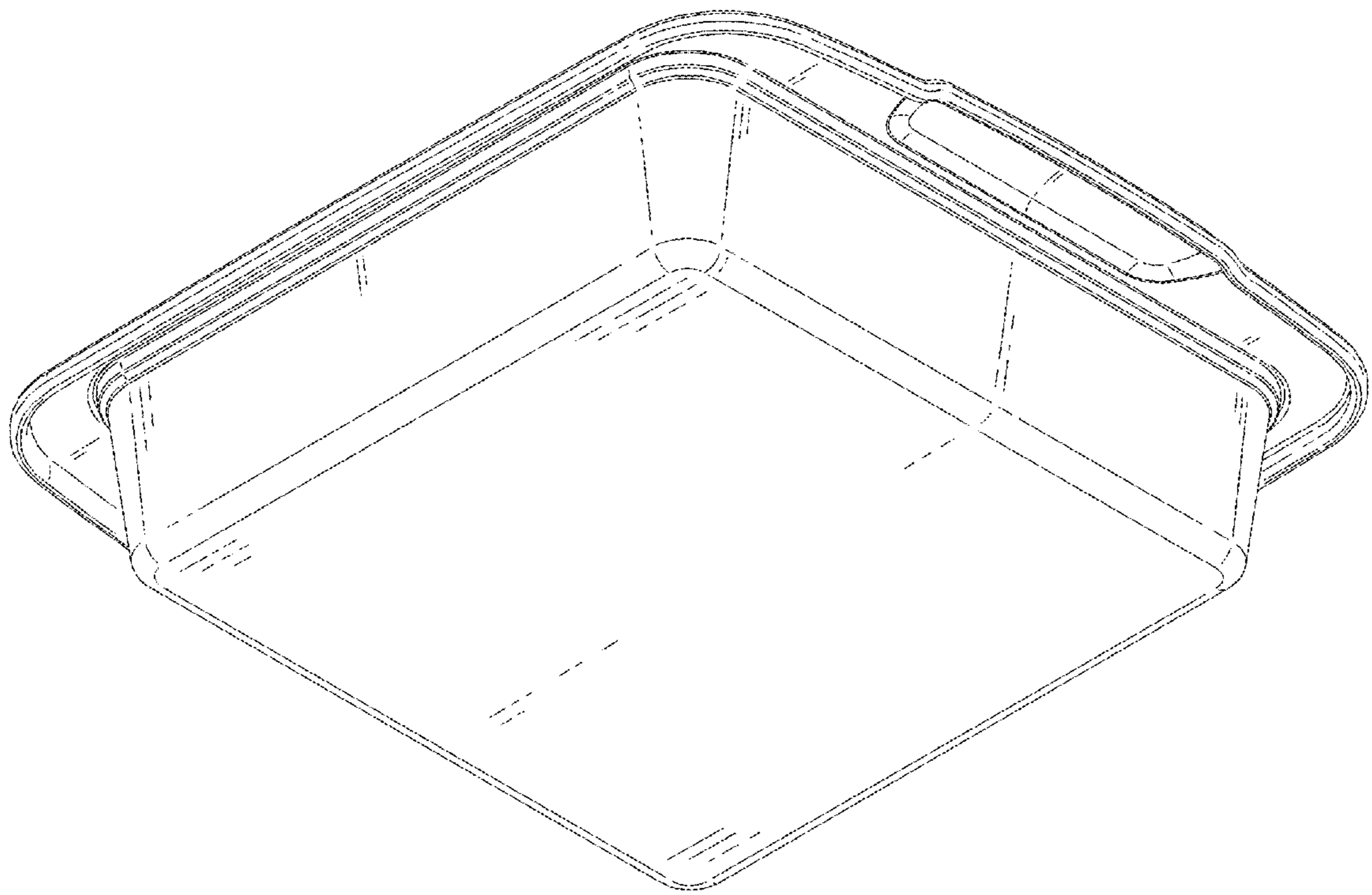


FIG.8