



US00D731228S

(12) **United States Design Patent**
Garman

(10) **Patent No.:** **US D731,228 S**
(45) **Date of Patent:** **** Jun. 9, 2015**

- (54) **CONVERTIBLE GRILL**
- (71) Applicant: **Hamilton Beach Brands, Inc.**, Glen Allen, VA (US)
- (72) Inventor: **Michael Garman**, Moseley, VA (US)
- (73) Assignee: **Hamilton Beach Brands, Inc.**, Glen Allen, VA (US)
- (**) Term: **14 Years**
- (21) Appl. No.: **29/484,994**
- (22) Filed: **Mar. 14, 2014**
- (51) **LOC (10) Cl.** **07-02**
- (52) **U.S. Cl.**
USPC **D7/352**
- (58) **Field of Classification Search**
USPC D7/323, 328–330, 337, 347, 352–364, D7/367, 402, 409–411; 99/324–326, 331, 99/339, 349, 356–357, 372–379, 99/444–446; 219/386, 450.1, 472, 219/524–525, 620–622, 732–734
CPC A21B 5/023; A47J 27/60; A47J 27/62; A47J 37/04; A47J 37/06; A47J 37/067; A47J 37/0605; A47J 37/0611; A47J 37/0623; A47J 37/0629; A47J 37/0676; A47J 2037/06; A47J 2037/0611; F24C 15/10; F24C 15/102; H05B 6/02; H05B 6/062
See application file for complete search history.

6,062,130	A	5/2000	Brady	
6,170,389	B1	1/2001	Brady	
6,433,312	B1	8/2002	Chen	
D462,228	S *	9/2002	Wu	D7/352
D462,566	S *	9/2002	Wu	D7/352
6,526,873	B2	3/2003	Brady	
D493,663	S	8/2004	Lin et al.	
D494,407	S *	8/2004	Lin et al.	D7/347
6,782,804	B1	8/2004	Lin	
D521,310	S	5/2006	Lin	
D539,074	S *	3/2007	Lubowicki	D7/352
D550,025	S *	9/2007	Chao	D7/352
D562,620	S *	2/2008	Li	D7/352
7,478,585	B2	1/2009	Wang	
D594,695	S *	6/2009	Lin	D7/360
D621,203	S *	8/2010	Huang	D7/352
D638,260	S *	5/2011	Lin	D7/402

(Continued)

Primary Examiner — Ricky Pham
(74) *Attorney, Agent, or Firm* — Alexander D. Raring

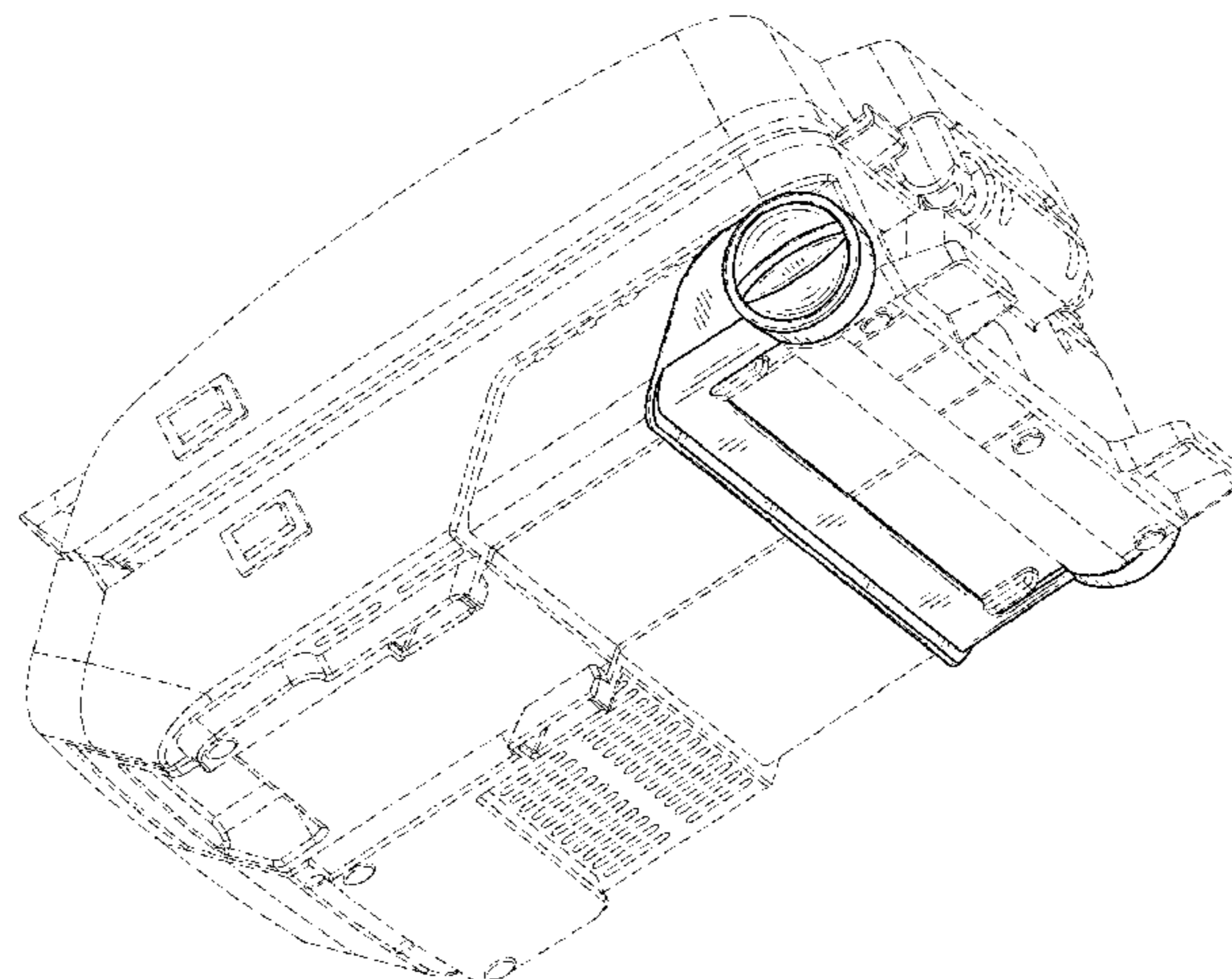
(57) **CLAIM**
The ornamental design for a convertible grill, as shown and described.

DESCRIPTION

FIG. 1 is a perspective view as seen from the bottom, rear, and right side of a grill showing the new design;
FIG. 2 is a top view thereof;
FIG. 3 is a front view thereof;
FIG. 4 is a rear view thereof;
FIG. 5 is a right side view thereof;
FIG. 6 is a left side view thereof;
FIG. 7 is a bottom view thereof;
FIG. 8 is a perspective view as seen from the bottom, rear, and right side with one element of the grill in an alternate position;
FIG. 9 is a right side view thereof; and,
FIG. 10 is a left side view thereof.
The broken lines in the drawings are included for illustrative purposes only and form no part of the claimed design.

1 Claim, 7 Drawing Sheets

- (56) **References Cited**
U.S. PATENT DOCUMENTS
- 3,010,383 A 11/1961 Greene
- 4,403,540 A 9/1983 Erkelenz
- 5,615,604 A 4/1997 Changlin
- 5,845,562 A 12/1998 Deni et al.
- 5,927,184 A 7/1999 Hermansson
- 6,016,741 A 1/2000 Tsai et al.



US D731,228 S

Page 2

(56)

References Cited

U.S. PATENT DOCUMENTS

D718,976 S *	12/2014	Miller	D7/352
D719,395 S *	12/2014	Miller	D7/352
D719,396 S *	12/2014	Miller	D7/352
D697,360 S *	1/2014	Josancy	D7/352

* cited by examiner

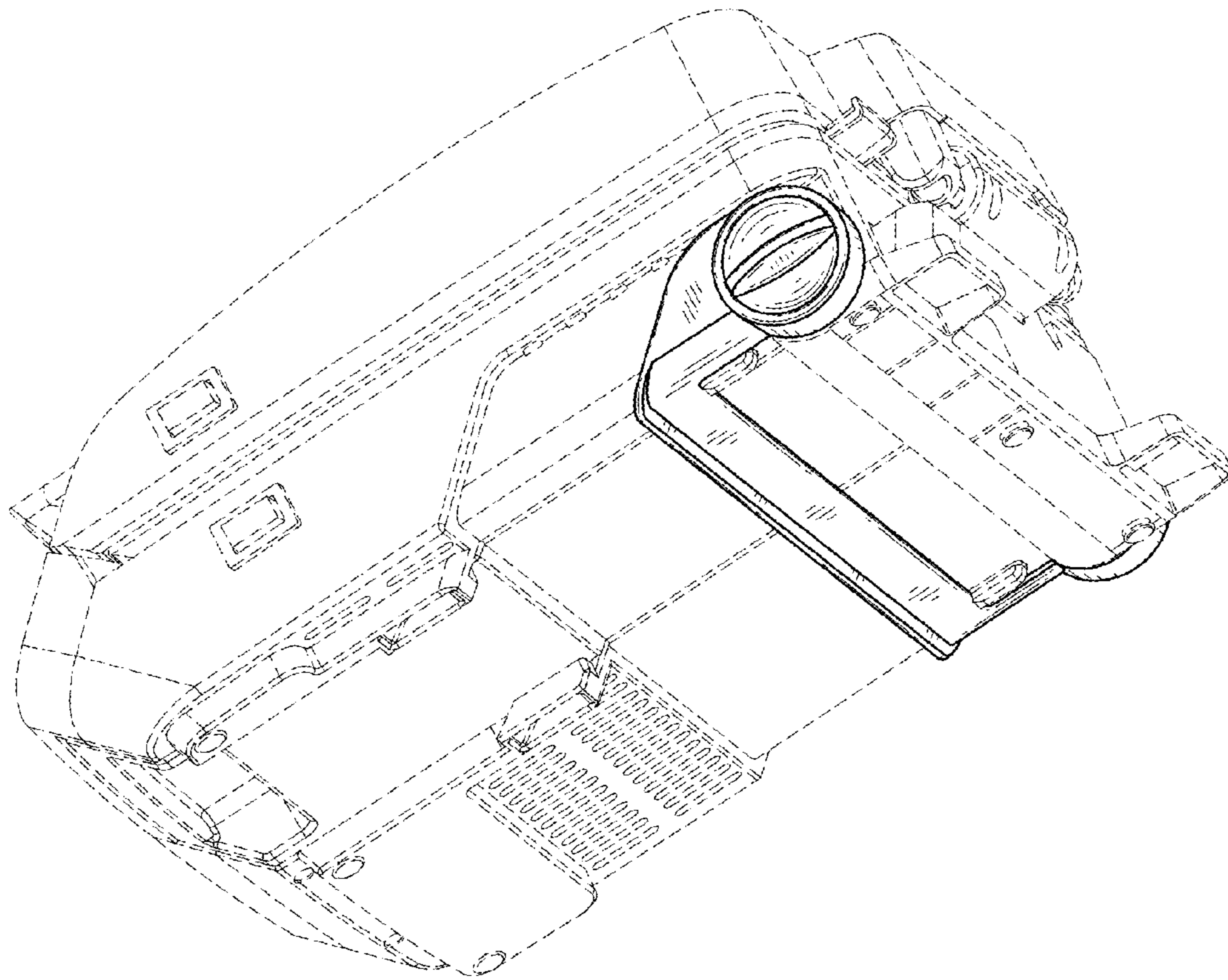


Fig. 1

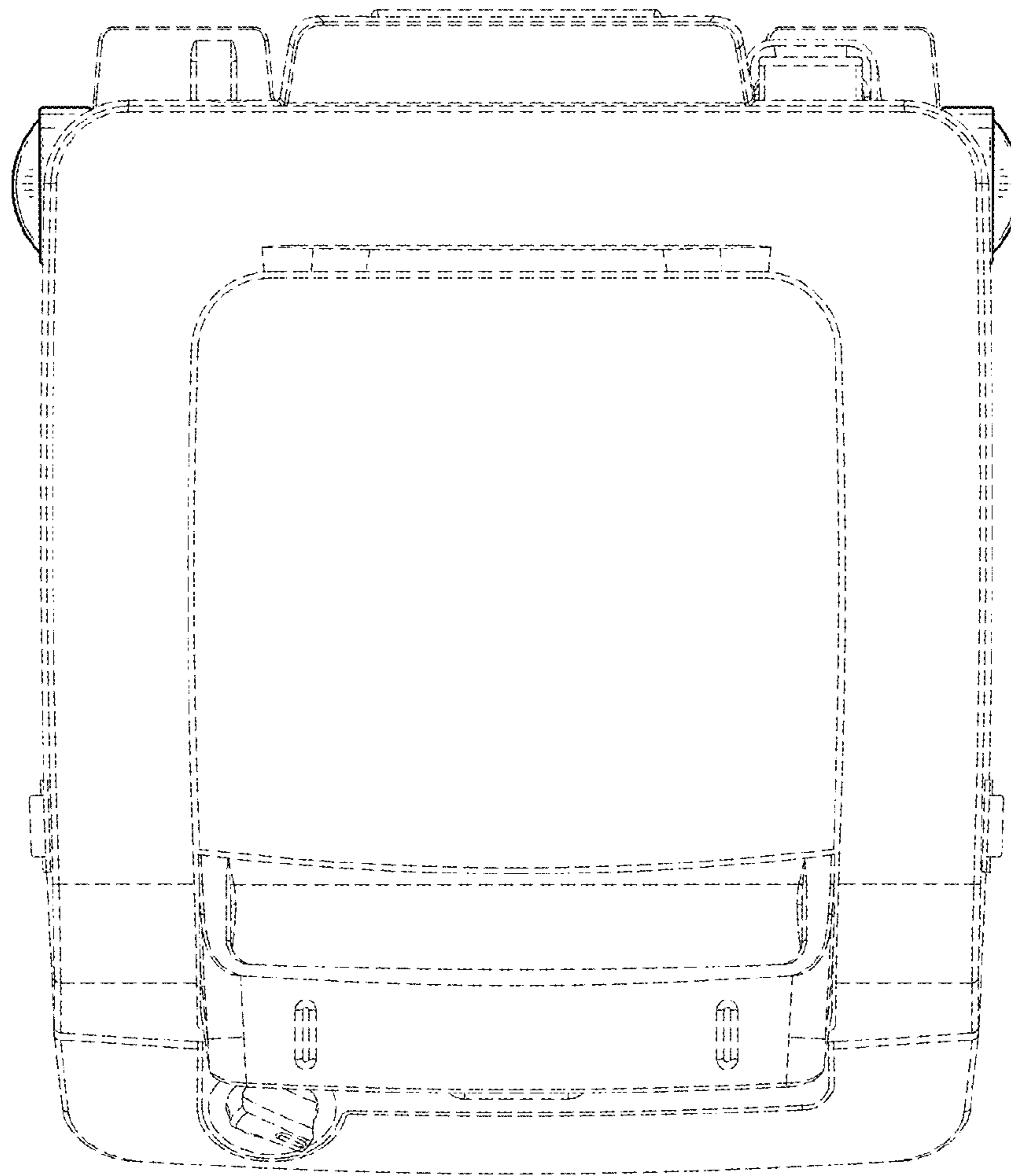


Fig. 2

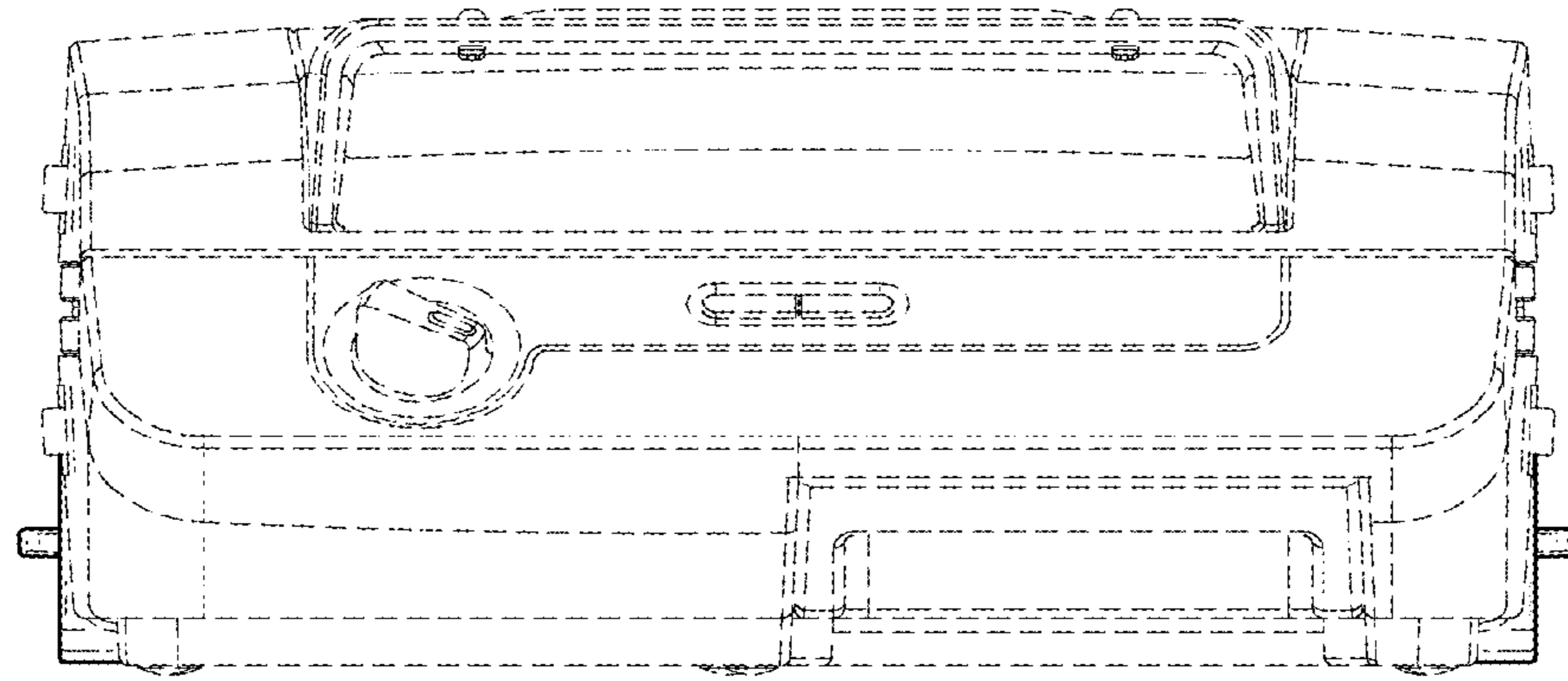


Fig. 3

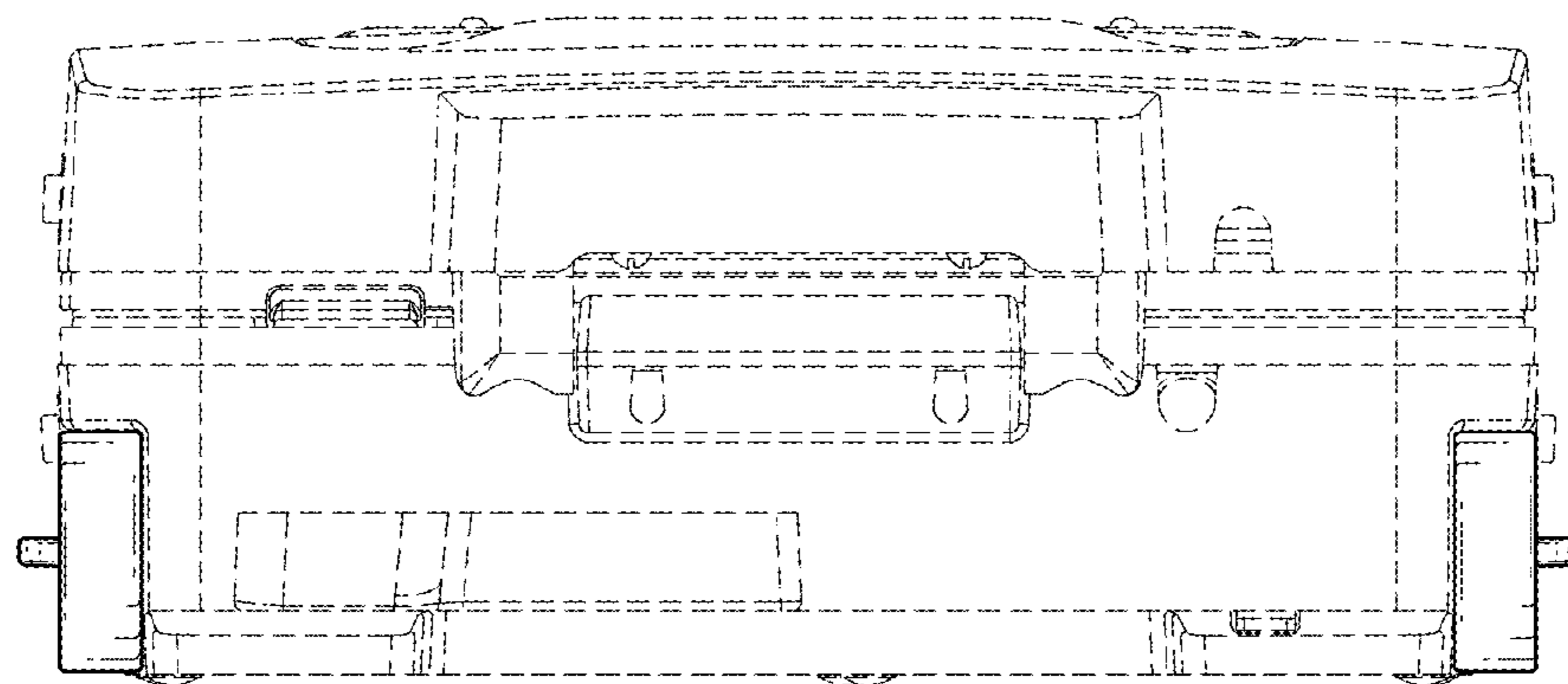


Fig. 4

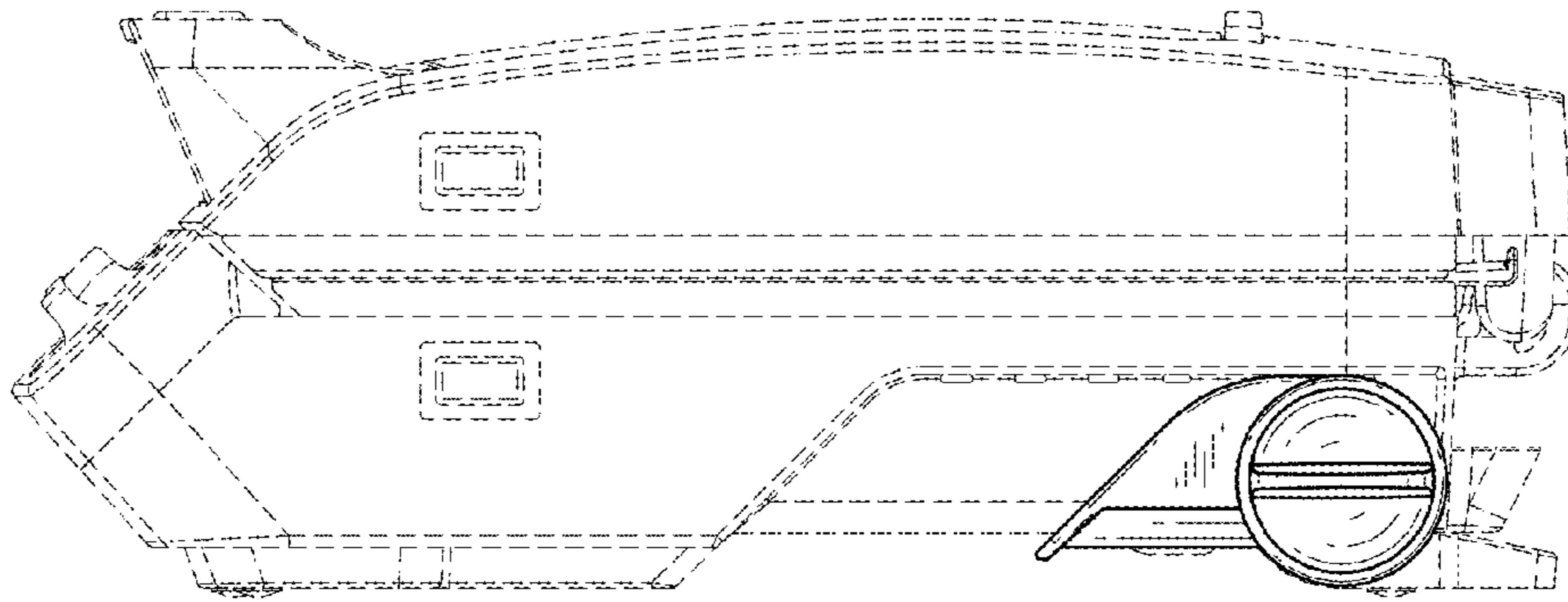


Fig. 5

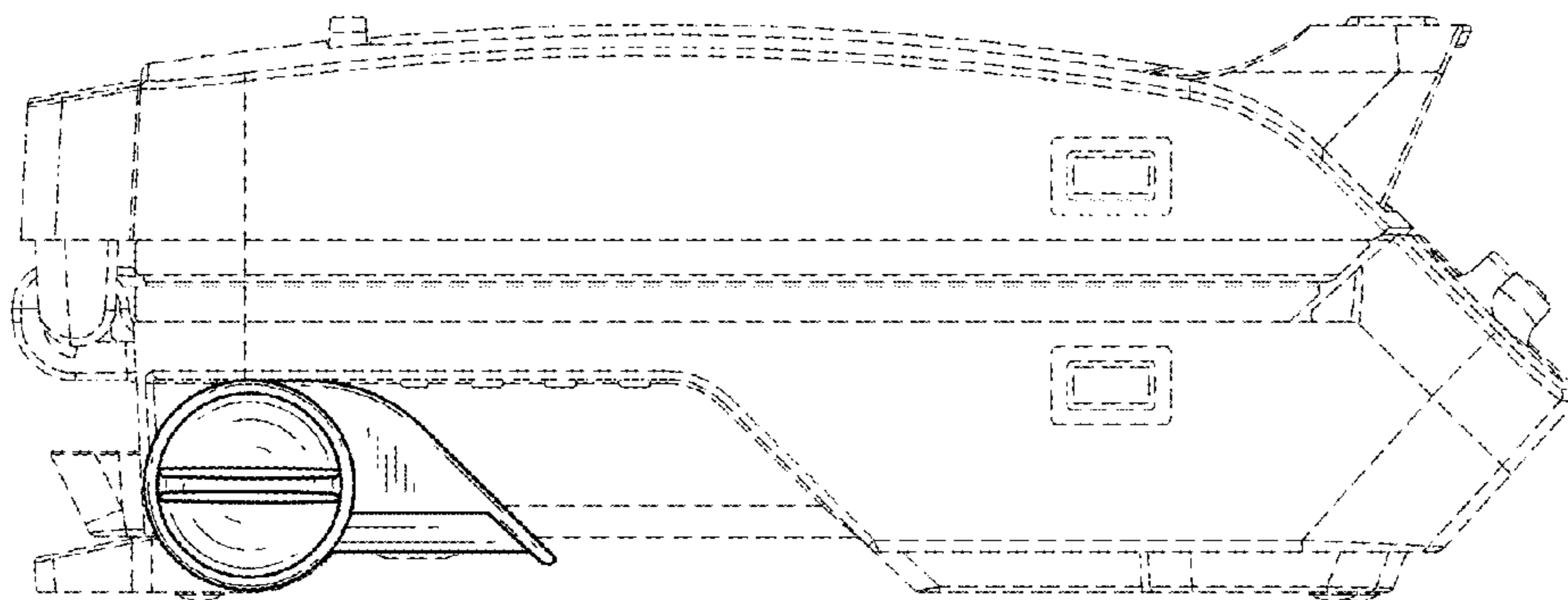


Fig. 6

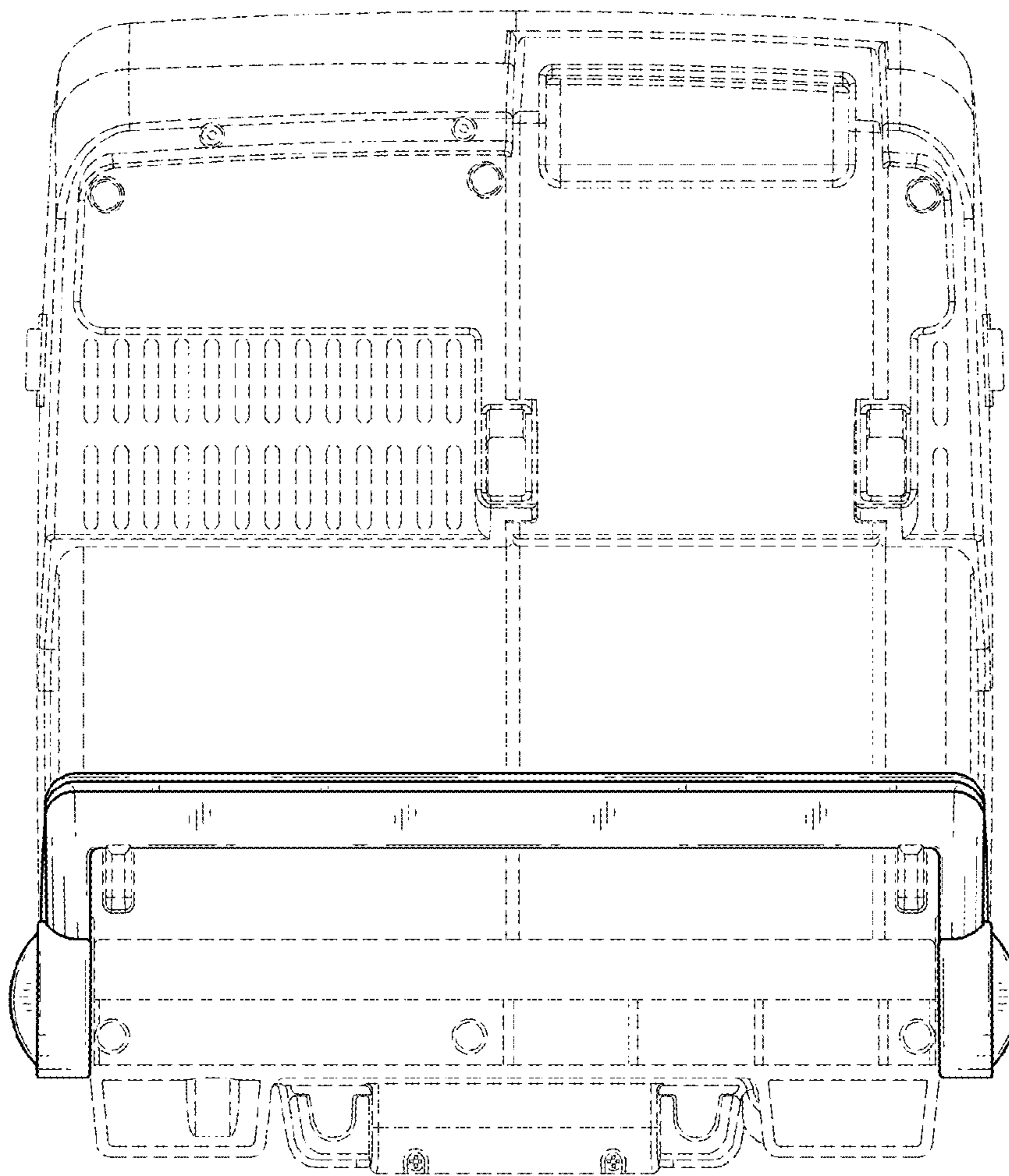


Fig. 7

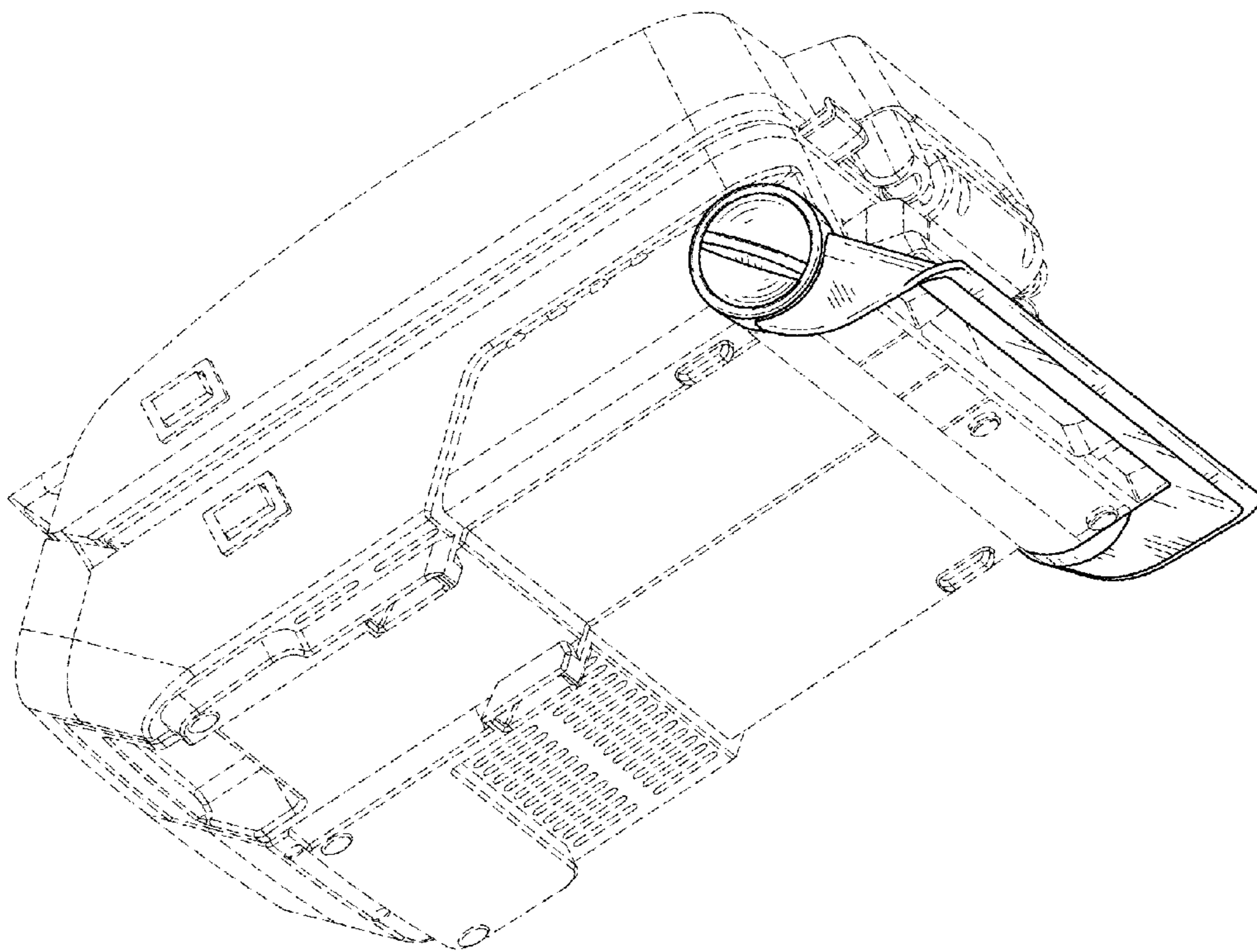


Fig. 8

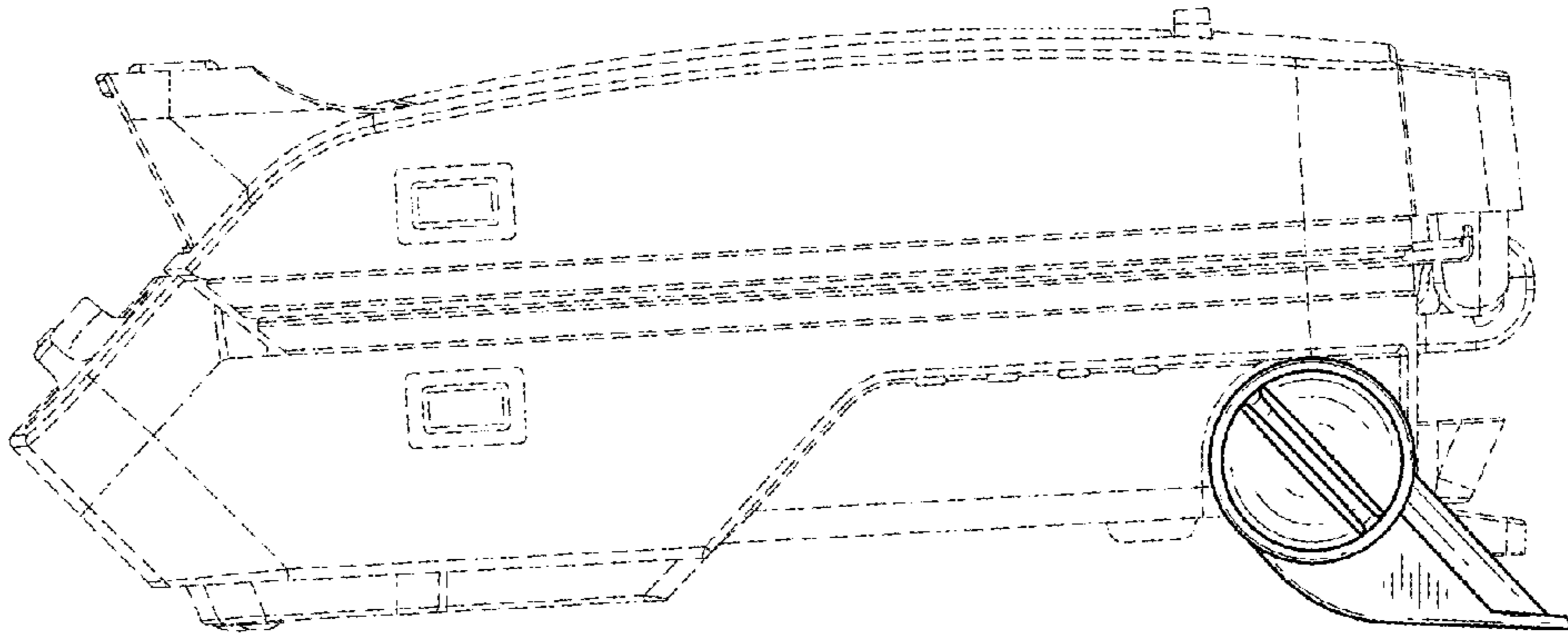


Fig. 9

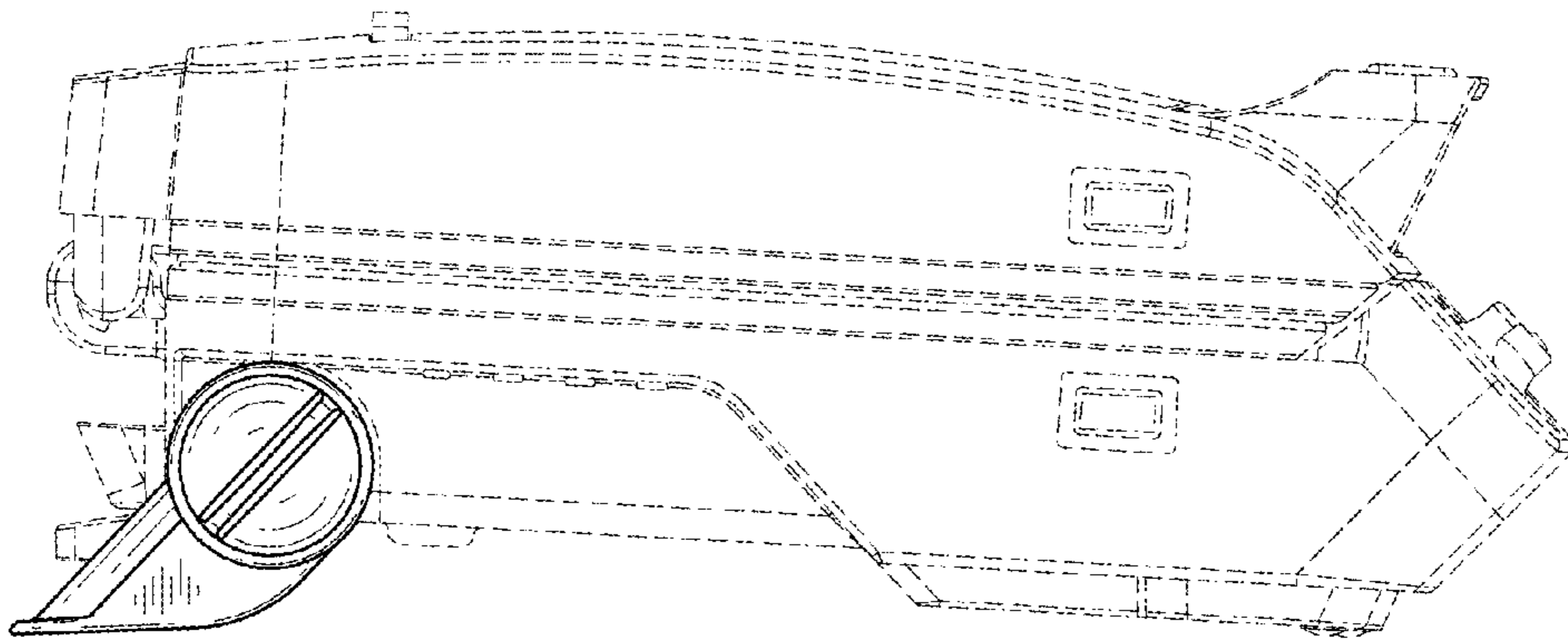


Fig. 10