



US00D731226S

(12) **United States Design Patent**  
**Sun**

(10) **Patent No.:** **US D731,226 S**  
(45) **Date of Patent:** **\*\* Jun. 9, 2015**

- (54) **KETTLE**
- (71) Applicant: **Electrolux Appliances Aktiebolaget**,  
Stockholm (SE)
- (72) Inventor: **Brian Sun**, Charlotte, NC (US)
- (73) Assignee: **Electrolux Appliances Aktiebolag**,  
Stockholm (SE)
- (\*\*) Term: **14 Years**
- (21) Appl. No.: **29/485,635**
- (22) Filed: **Mar. 20, 2014**
- (30) **Foreign Application Priority Data**  
Sep. 20, 2013 (EM) ..... 002313288
- (51) **LOC (10) Cl.** ..... **07-01**
- (52) **U.S. Cl.**  
USPC ..... **D7/318; D7/316**
- (58) **Field of Classification Search**  
USPC ..... D7/310-322, 392, 397, 300, 598, 600,  
D7/622, 305; D23/207; 222/469, 1, 500,  
222/517, 472, 494, 143; 99/303, 323.3;  
219/494, 437, 126, 441; 126/344, 345  
CPC ..... A47J 27/21; A47J 27/06; A47J 27/21008;  
A47J 27/21041; A47J 31/10; A47G 19/14  
See application file for complete search history.

- (56) **References Cited**  
U.S. PATENT DOCUMENTS
- |          |   |   |         |               |        |
|----------|---|---|---------|---------------|--------|
| D164,060 | S | * | 7/1951  | Polivka ..... | D7/321 |
| D167,976 | S | * | 10/1952 | Florian ..... | D7/321 |
| D174,297 | S | * | 3/1955  | Thelsea ..... | D7/321 |
| D174,980 | S | * | 6/1955  | Budlong ..... | D7/321 |
| D221,796 | S | * | 9/1971  | Greger .....  | D7/317 |
| D233,974 | S | * | 12/1974 | Kiernan ..... | D7/317 |
| D291,645 | S | * | 9/1987  | Bruno .....   | D7/321 |
| D331,861 | S | * | 12/1992 | Minuti .....  | D7/598 |
| D343,983 | S | * | 2/1994  | Tardif .....  | D7/319 |
| D420,545 | S | * | 2/2000  | Huang .....   | D7/318 |

- |              |    |   |         |                           |         |
|--------------|----|---|---------|---------------------------|---------|
| D427,478     | S  | * | 7/2000  | Littmann et al. ....      | D7/318  |
| D463,706     | S  | * | 10/2002 | Lecerf .....              | D7/317  |
| D478,766     | S  | * | 8/2003  | Questelles .....          | D7/321  |
| D512,596     | S  | * | 12/2005 | Bjørn .....               | D7/309  |
| D512,597     | S  | * | 12/2005 | Bjørn .....               | D7/318  |
| D522,796     | S  | * | 6/2006  | Teh-Hsiung .....          | D7/318  |
| D548,510     | S  | * | 8/2007  | Huang .....               | D7/318  |
| D552,916     | S  | * | 10/2007 | Bodum .....               | D7/318  |
| D553,898     | S  | * | 10/2007 | De'Longhi .....           | D7/321  |
| D558,508     | S  | * | 1/2008  | Picozza et al. ....       | D7/317  |
| D620,303     | S  | * | 7/2010  | Mondragon et al. ....     | D7/317  |
| D627,587     | S  | * | 11/2010 | Dahlstrom .....           | D7/319  |
| D628,426     | S  | * | 12/2010 | Hoare et al. ....         | D7/319  |
| D633,324     | S  | * | 3/2011  | Mondragon et al. ....     | D7/317  |
| D646,522     | S  | * | 10/2011 | Collinson .....           | D7/376  |
| D663,567     | S  | * | 7/2012  | Littmann et al. ....      | D7/318  |
| D683,176     | S  | * | 5/2013  | Kuzmin et al. ....        | D7/319  |
| D686,034     | S  | * | 7/2013  | Bodum .....               | D7/318  |
| D718,974     | S  | * | 12/2014 | De'Longhi et al. ....     | D7/321  |
| 2004/0149729 | A1 | * | 8/2004  | Kressmann .....           | 219/494 |
| 2008/0185404 | A1 | * | 8/2008  | Schreiber-Pethan et al. . | 222/470 |
| 2010/0012646 | A1 | * | 1/2010  | Vreijisen .....           | 219/438 |

\* cited by examiner

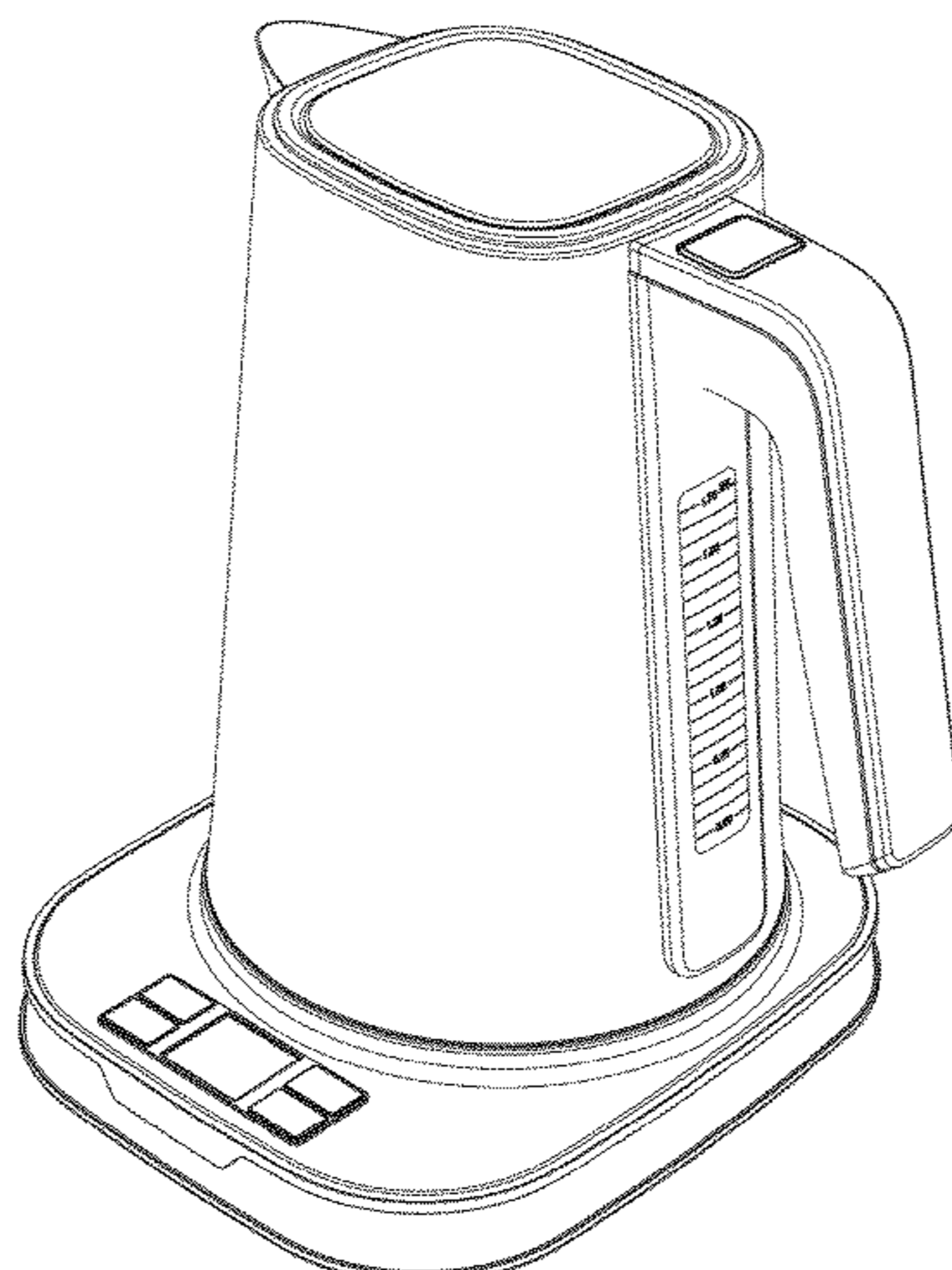
*Primary Examiner* — Marianne Pandozzi  
*Assistant Examiner* — Jae Liang  
 (74) *Attorney, Agent, or Firm* — Banner & Witcoff, Ltd.

(57) **CLAIM**  
 The ornamental design for a kettle, as shown and described.

**DESCRIPTION**

FIG. 1 is a front perspective view of a kettle showing my new design;  
 FIG. 2 is a top plan view thereof;  
 FIG. 3 is a front view thereof;  
 FIG. 4 is a right side view thereof;  
 FIG. 5 is a left side view thereof;  
 FIG. 6 is a rear view thereof; and,  
 FIG. 7 is a bottom view thereof.  
 The broken line showing in the figure drawings are included for the purpose of illustration and form no part of the claimed design.

**1 Claim, 7 Drawing Sheets**



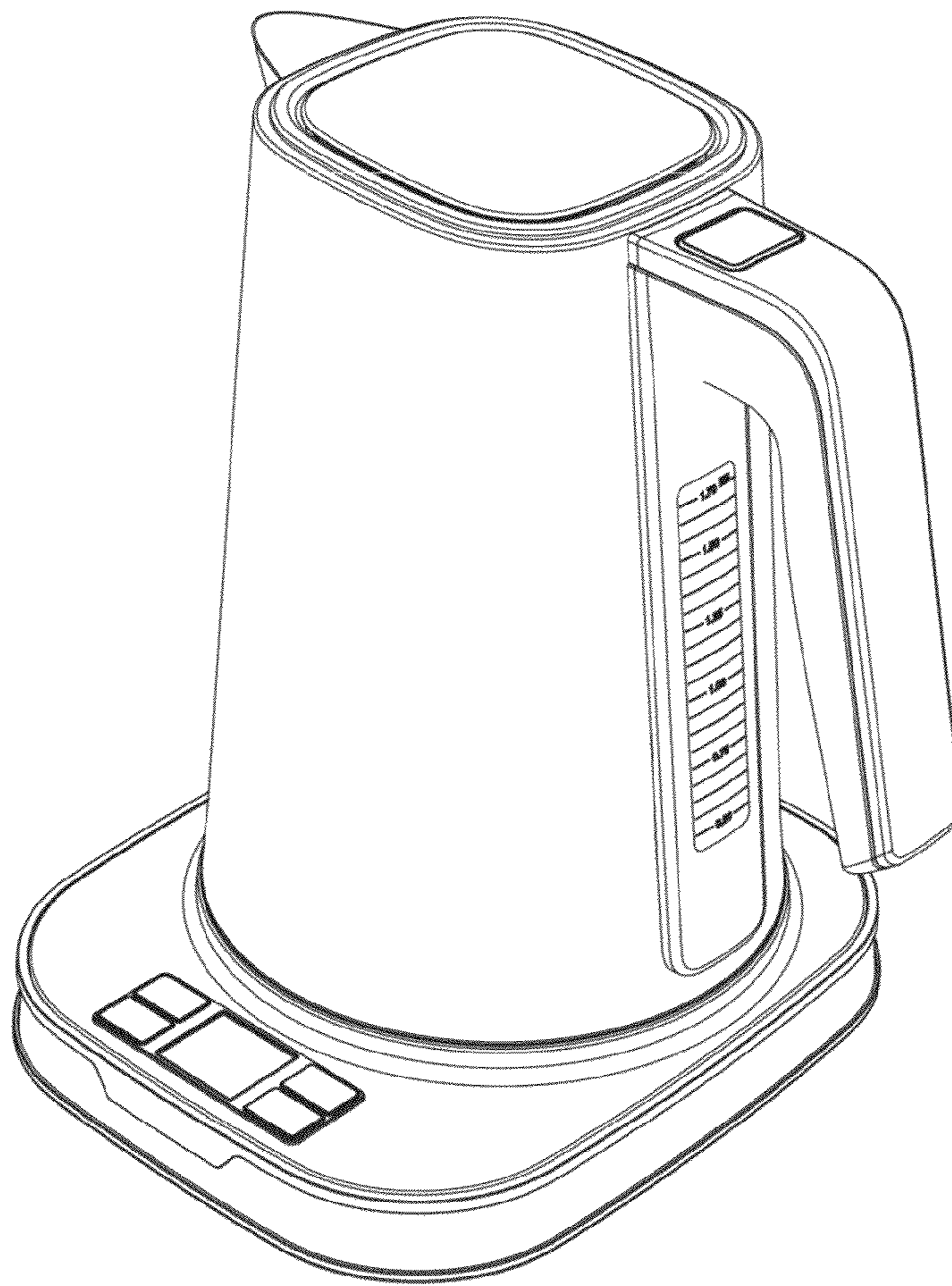


FIG. 1

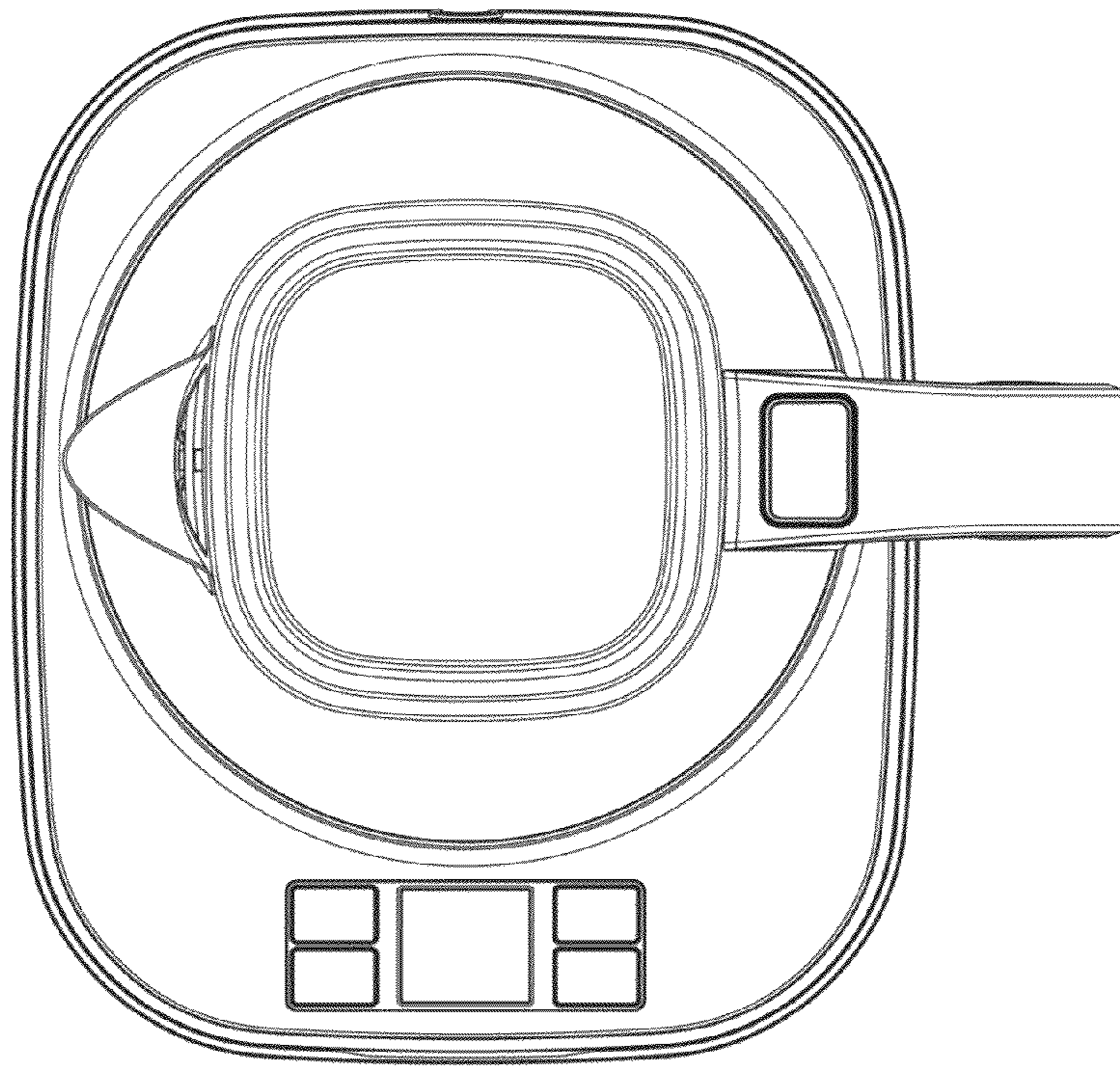


FIG. 2

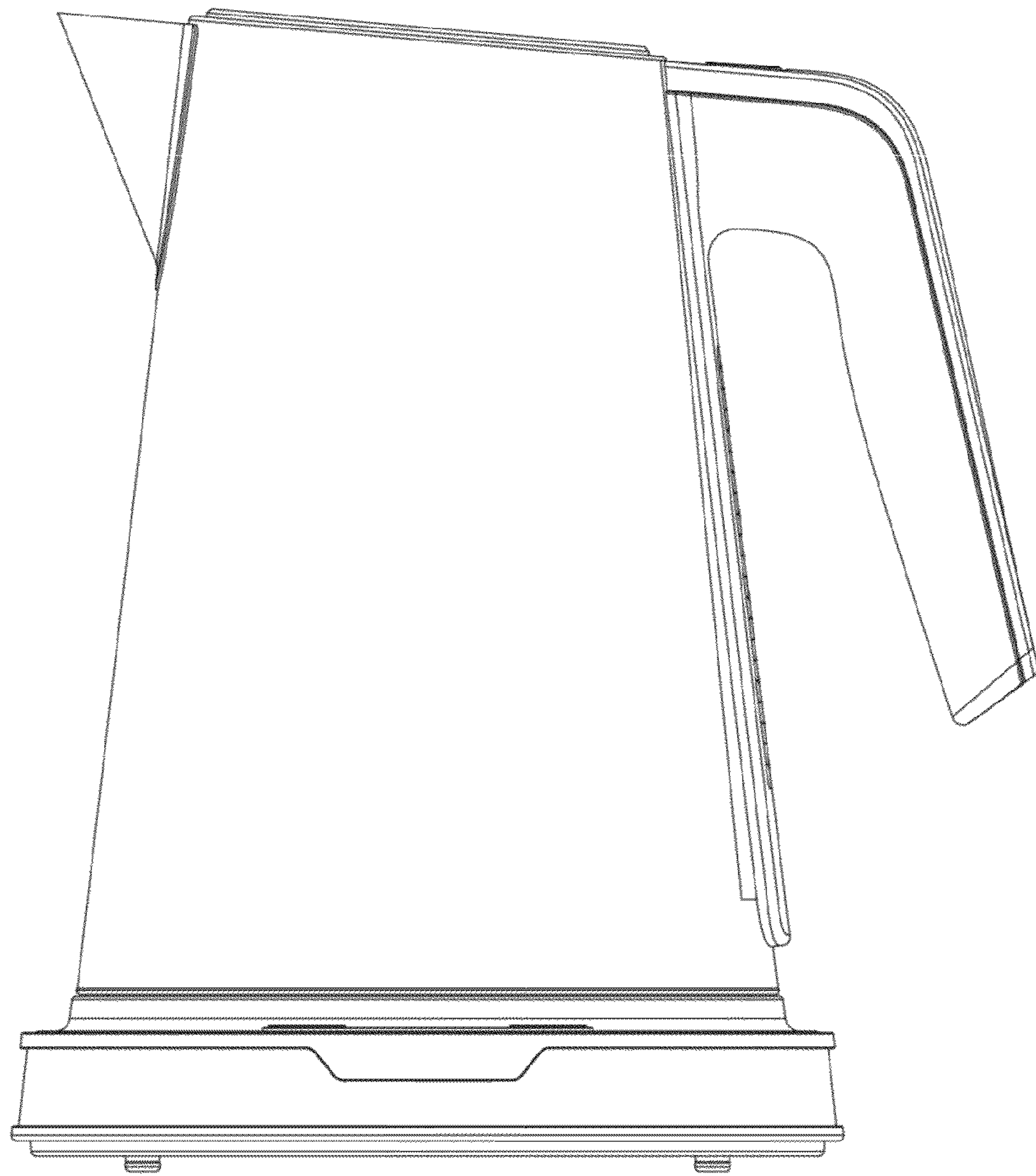


FIG. 3

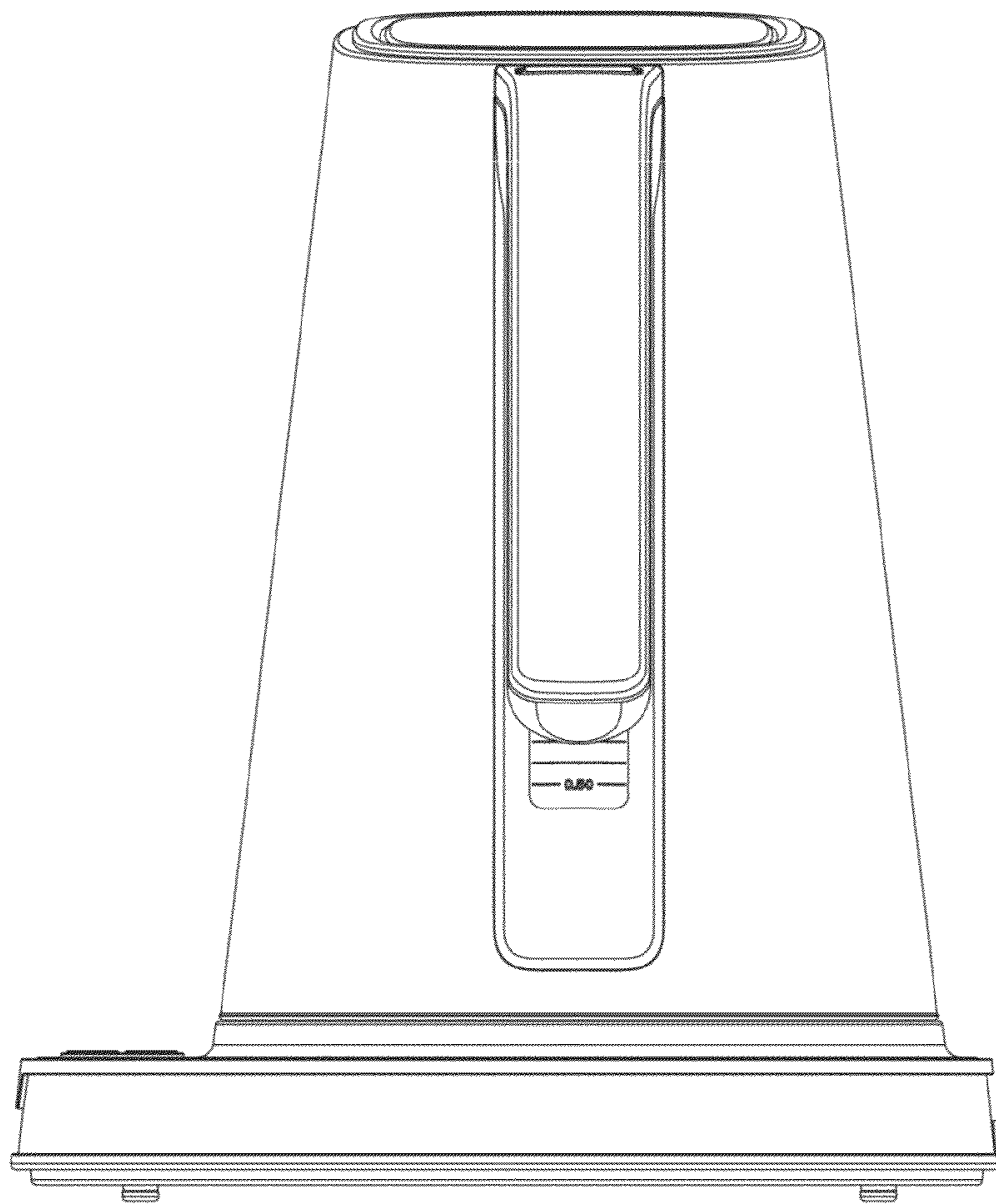


FIG. 4

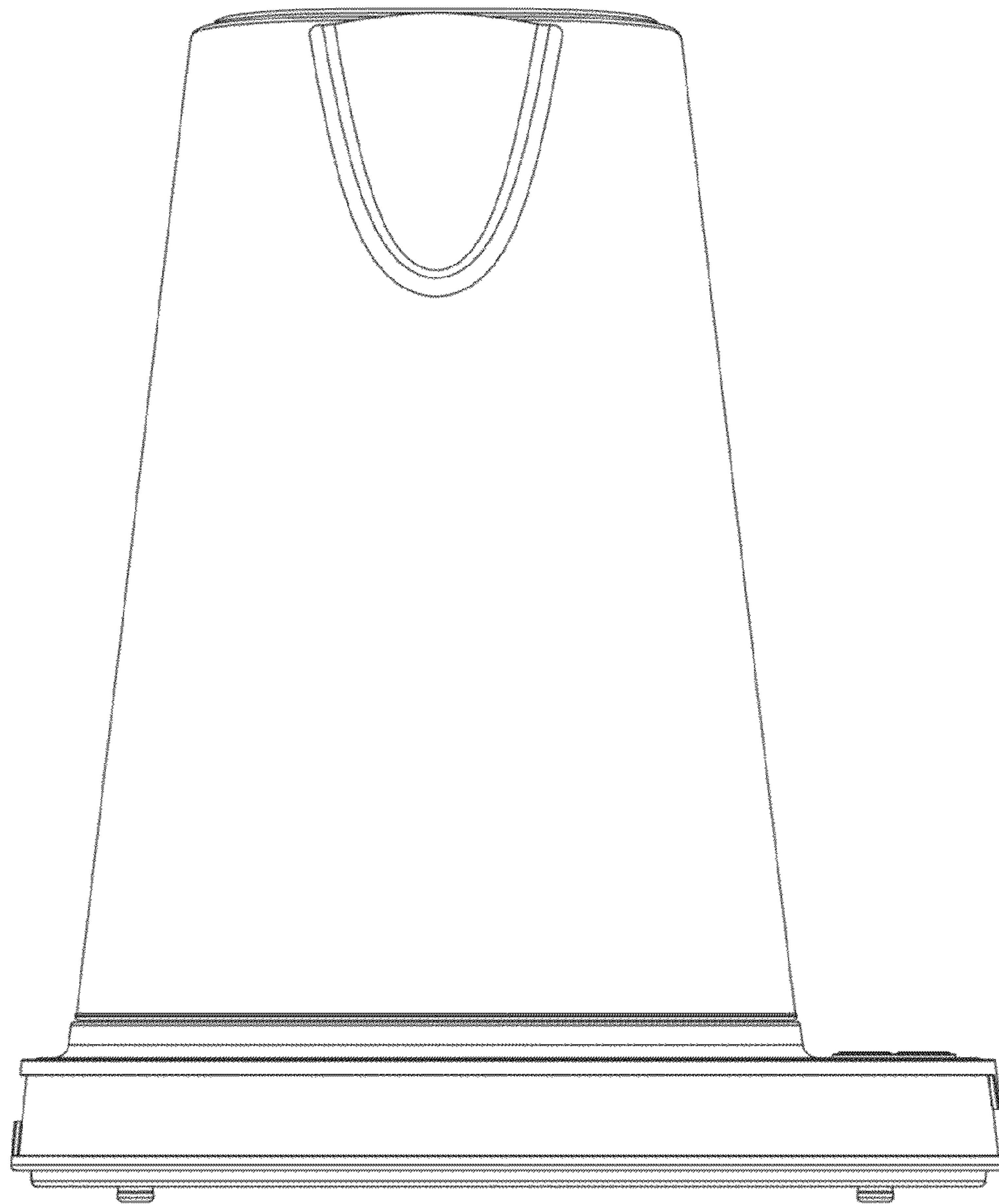


FIG. 5

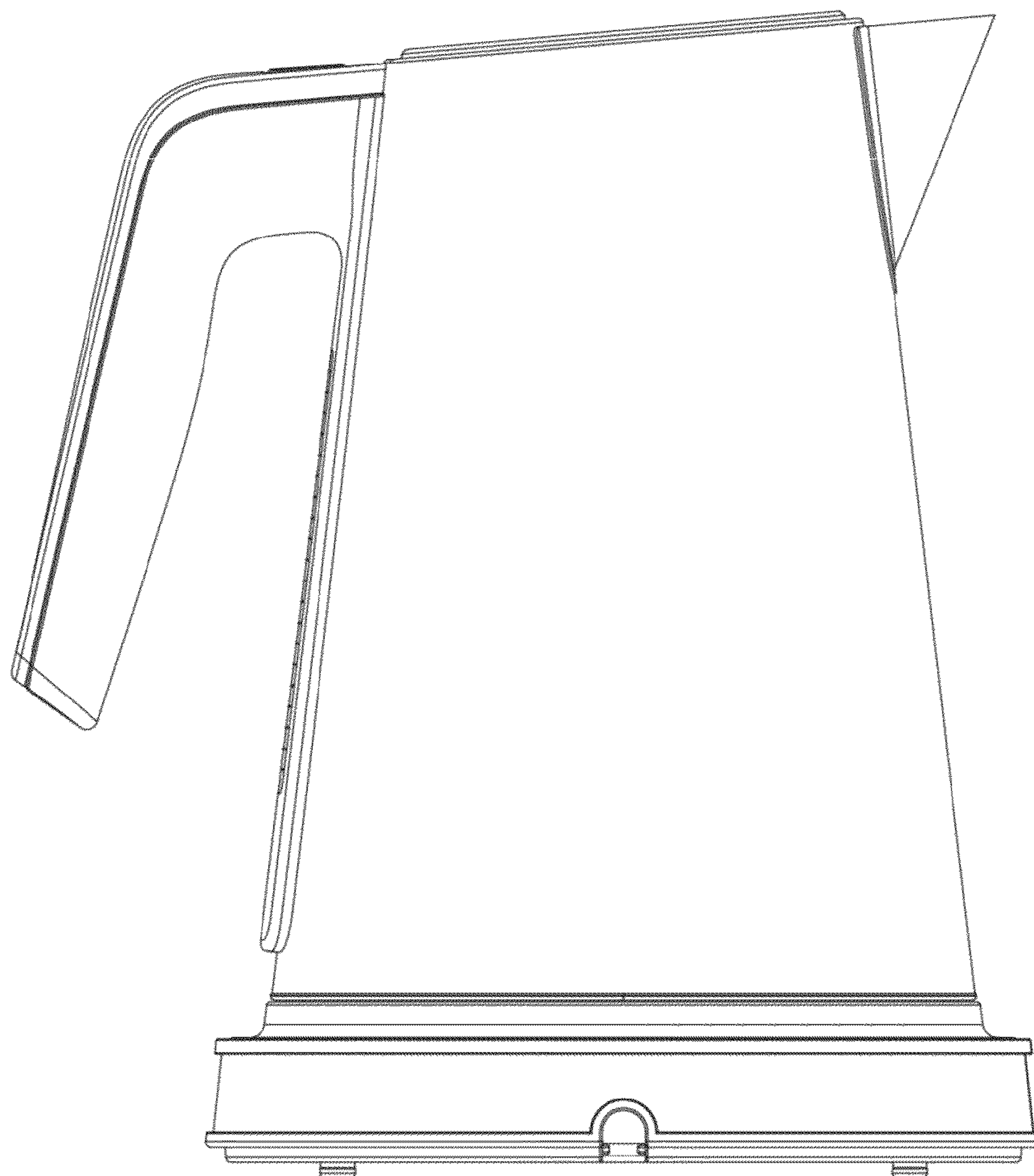


FIG. 6

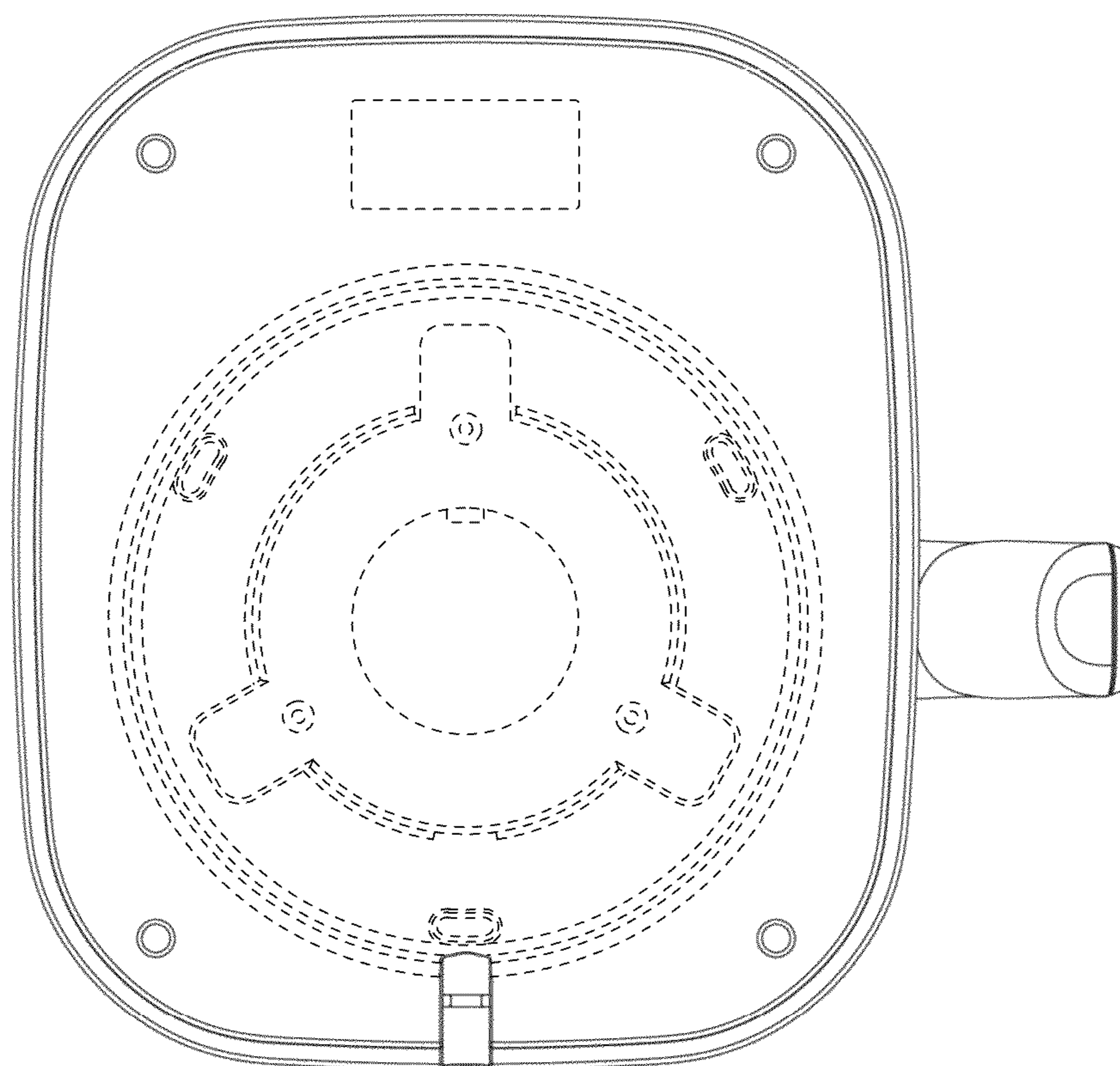


FIG. 7