



US00D731225S

(12) **United States Design Patent**
Peterson et al.

(10) **Patent No.:** **US D731,225 S**
(45) **Date of Patent:** **** Jun. 9, 2015**

(54) **CONTAINER**

(71) Applicant: **TARGET BRANDS, INC.**,
Minneapolis, MN (US)

(72) Inventors: **William Peterson**, Minneapolis, MN
(US); **Kent D. Katterheinrich**,
Shoreview, MN (US)

(73) Assignee: **Target Brands, Inc.**, Minneapolis, MN
(US)

(**) Term: **14 Years**

(21) Appl. No.: **29/488,059**

(22) Filed: **Apr. 15, 2014**

(51) **LOC (10) Cl.** **07-01**

(52) **U.S. Cl.**
USPC **D7/306; D7/313**

(58) **Field of Classification Search**
USPC D7/306-311, 305, 300, 313, 605, 608,
D7/320, 312, 321, 612, 613; 99/279, 284,
99/290, 280, 299, 307, 285, 305, 323.1,
99/312; 222/23, 129.1, 209; 62/395;
D20/1; D23/209; D6/543; D34/39;
D9/633, 773

CPC A47J 31/44; A47J 31/00; B67D 1/0041;
B67D 3/00

See application file for complete search history.

(56) **References Cited**

U.S. PATENT DOCUMENTS

| | | | | | |
|------------|---|---------|----------------|-------|--------|
| D276,499 S | * | 11/1984 | Kamada et al. | | D9/633 |
| D309,847 S | * | 8/1990 | Scheurer | | D7/606 |
| D335,744 S | * | 5/1993 | Small et al. | | D34/39 |
| D362,990 S | * | 10/1995 | Losordo | | D7/305 |
| D474,365 S | | 5/2003 | Valentino | | |
| D488,355 S | | 4/2004 | Irvine | | |
| D526,827 S | * | 8/2006 | Allen et al. | | D7/306 |
| D530,140 S | * | 10/2006 | Macler et al. | | D7/313 |
| D560,874 S | * | 1/2008 | Brans | | D34/39 |
| D612,669 S | * | 3/2010 | Sanchez et al. | | D7/392 |

| | | | | | |
|------------|---|---------|---------------|-------|--------|
| D668,497 S | | 10/2012 | Hixon | | |
| D685,599 S | | 7/2013 | Miller et al. | | |
| D716,094 S | * | 10/2014 | Wang | | D7/306 |
| D720,173 S | * | 12/2014 | Polakoff | | D7/306 |

OTHER PUBLICATIONS

Office Action from Canadian Patent Application No. 156,828, mailed Nov. 28, 2014 (2 pages).

“Tag 550598 Ceramic Drink Dispenser”, printed from www.google.com/shopping/product/8067411192700386082?q...9&bih=748&sa=X&ei=KC7UYCShqiCyQGz_oHoBA&ved=0CIMBEPMCMAU4Cg, publicly available at least as early as Oct. 13, 2011 (2 pages).

“Ceramic Drink Dispenser Durham NC”, printed from http://local.classichostess.com/Ceramic_Drink_Dispenser_Durham_NC-p1719923-Durham_NC.html, publicly available at least as early as Oct. 25, 2013 (2 pages).

(Continued)

Primary Examiner — Marianne Pandozzi

(74) *Attorney, Agent, or Firm* — JoAnn M. Seaton; Griffiths & Seaton PLLC

(57) **CLAIM**

The ornamental design for a container, as shown and described.

DESCRIPTION

FIG. 1 is a top, front, perspective view of a container showing our new design;

FIG. 2 is a front view thereof;

FIG. 3 is a rear view thereof;

FIG. 4 is a right side view thereof;

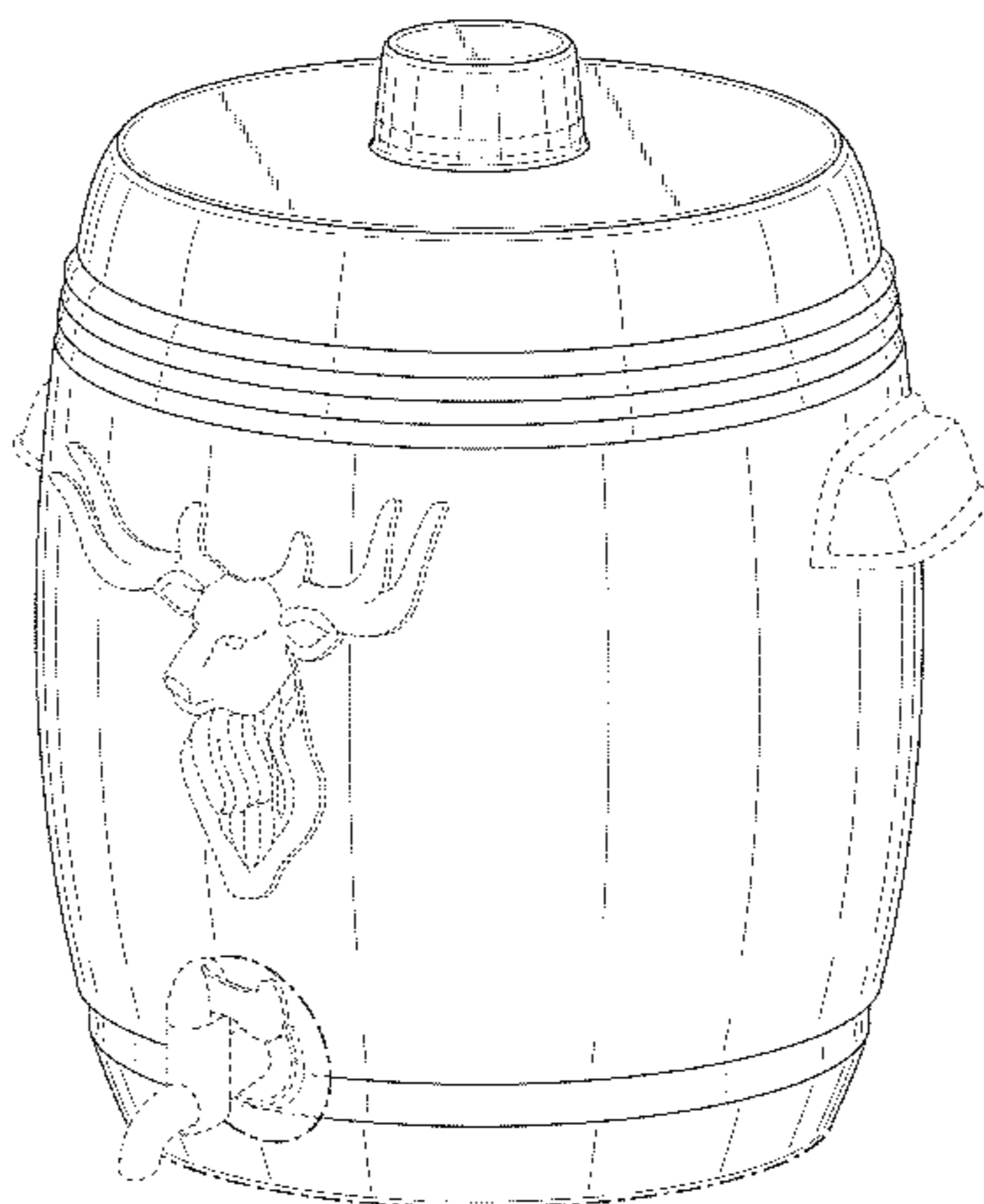
FIG. 5 is a left side view thereof;

FIG. 6 is a top view thereof; and,

FIG. 7 is a bottom view thereof.

The features shown in broken lines are portions of the container or environmental subject matter to the container forming no part of the claimed design. The long dash-short dash bolded broken lines indicate the bounds of the claimed design and otherwise form no part of the claimed design.

1 Claim, 7 Drawing Sheets



(56)

References Cited

OTHER PUBLICATIONS

“Ceramic 2½ Gallon Pickling Crock Beverage Dispenser with Glass Lid”, printed from <http://compare.ebay.com/like/110871730975?var=Iv&Itp=AllFixedPriceItemTypes&var=sbar>, publicly available at least as early as Jun. 14, 2013 (3 pages).

“Ceramic Jar Beverage Dispensers”, printed from http://uniquepartyrentalstcharles.com/index.php?main_page=product_info&cPath=66&products_id=191, May 14, 2010 (2 pages).

“Ceramic Yellow Beverage Dispenser”, printed from www.classichostess.com/ceramicyellowbeveragedispenser.aspx, publicly available at least as early as Jan. 9, 2013, per <http://web.archive.org> (3 pages).

“Personalized Beverage Dispenser”, printed from <http://knockoffdecor.com/personalized-drink-dispenser/>, Apr. 15, 2011 (10 pages).

“Retro Cookie Jar McCoy pottery Oak Barrel Vintage Housewares”, printed from www.etsy.com/listing/99302151/retro-cookie-jar-mc-coy-pottery-oak?ref=market, Sep. 9, 2013 (2 pages).

“Regal Stag Silver Ice Bucket (Engravable)”, printed from www.homewetbar.com/regal-stag-silver-ice-bucket-p-3004.htm, publicly available at least as early as Jun. 14, 2013 (3 pages).

Reed, Sherri, “14 Finds Under \$14.95 Labor Day Sales: Deals of the Week”, printed from http://thestir.cafemom.com/home_garden/109033/14_finds_under_1495_labor, Sep. 4, 2010 (9 pages).

Pixi, Christel, “Vintage Ceramic Beverage Dispensers”, printed from <http://www.cristalmilk.dk/2012/08/wants-needs-41/>, Aug. 7, 2012 (11 pages).

“White Ceramic Beverage Dispenser”, printed from <http://amyandjen.com/white-ceramic-beverage-dispenser/>, publicly available at least as early as Jun. 14, 2013 (1 page).

* cited by examiner

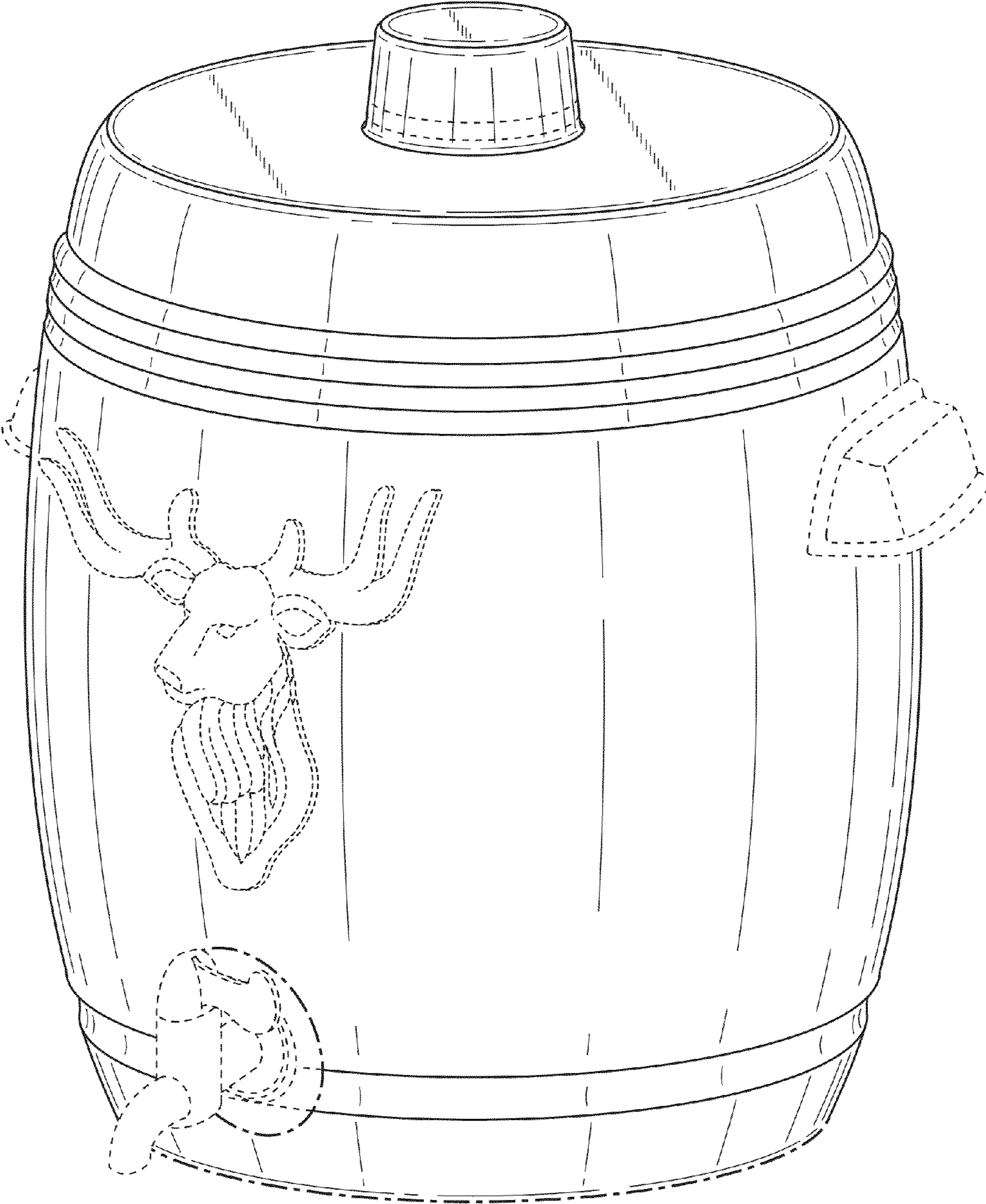


FIG. 1

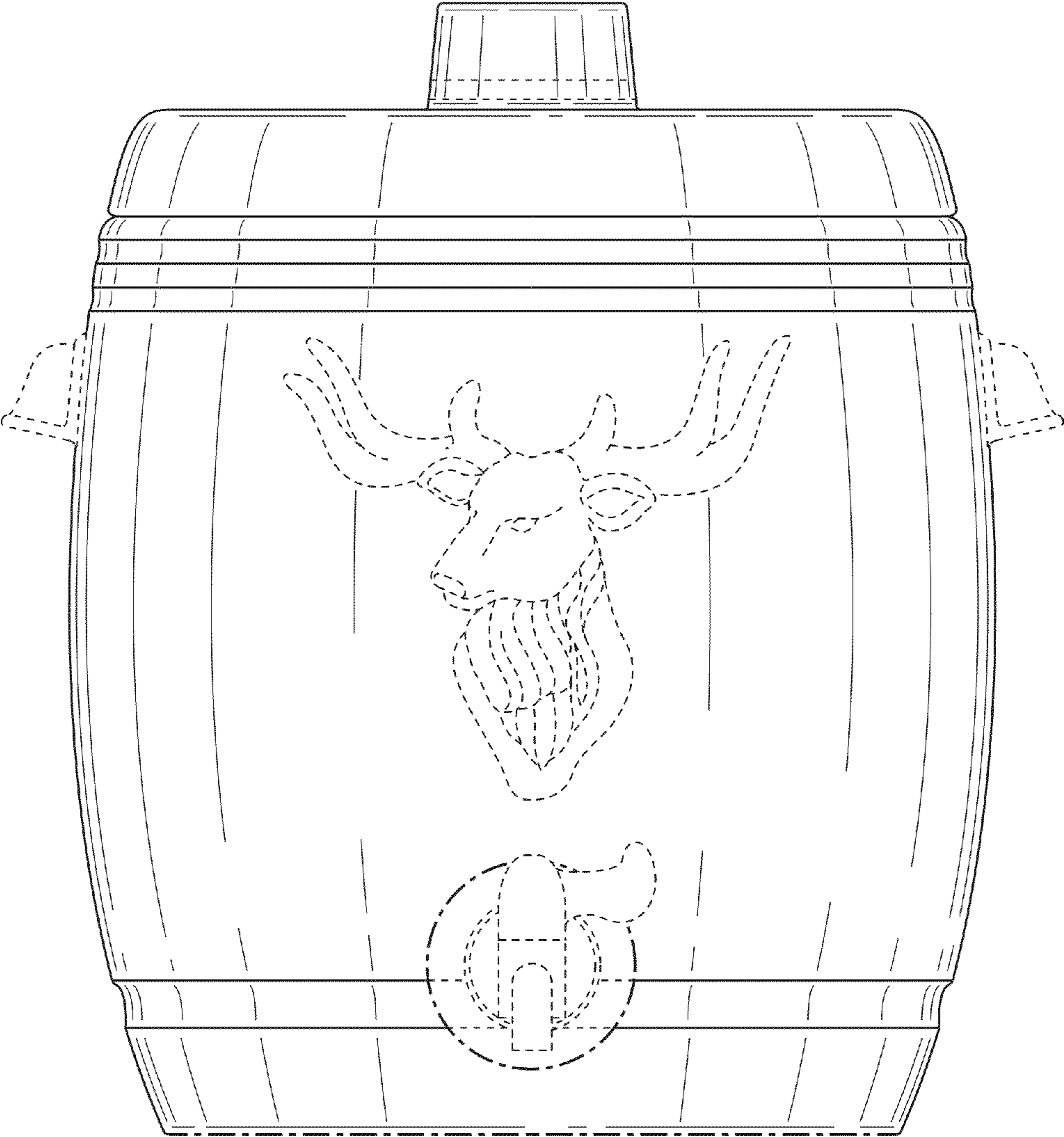


FIG. 2

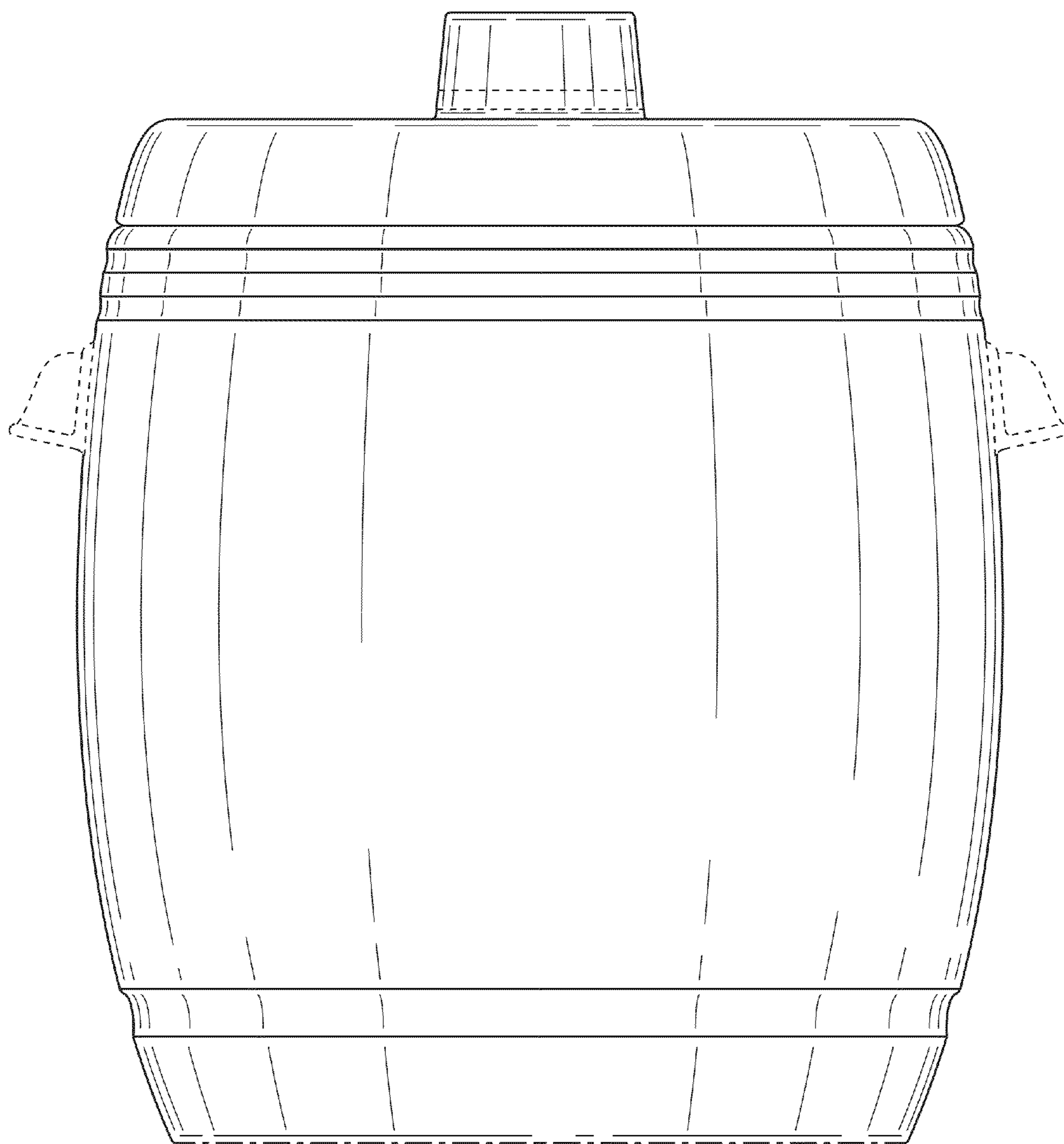


FIG. 3

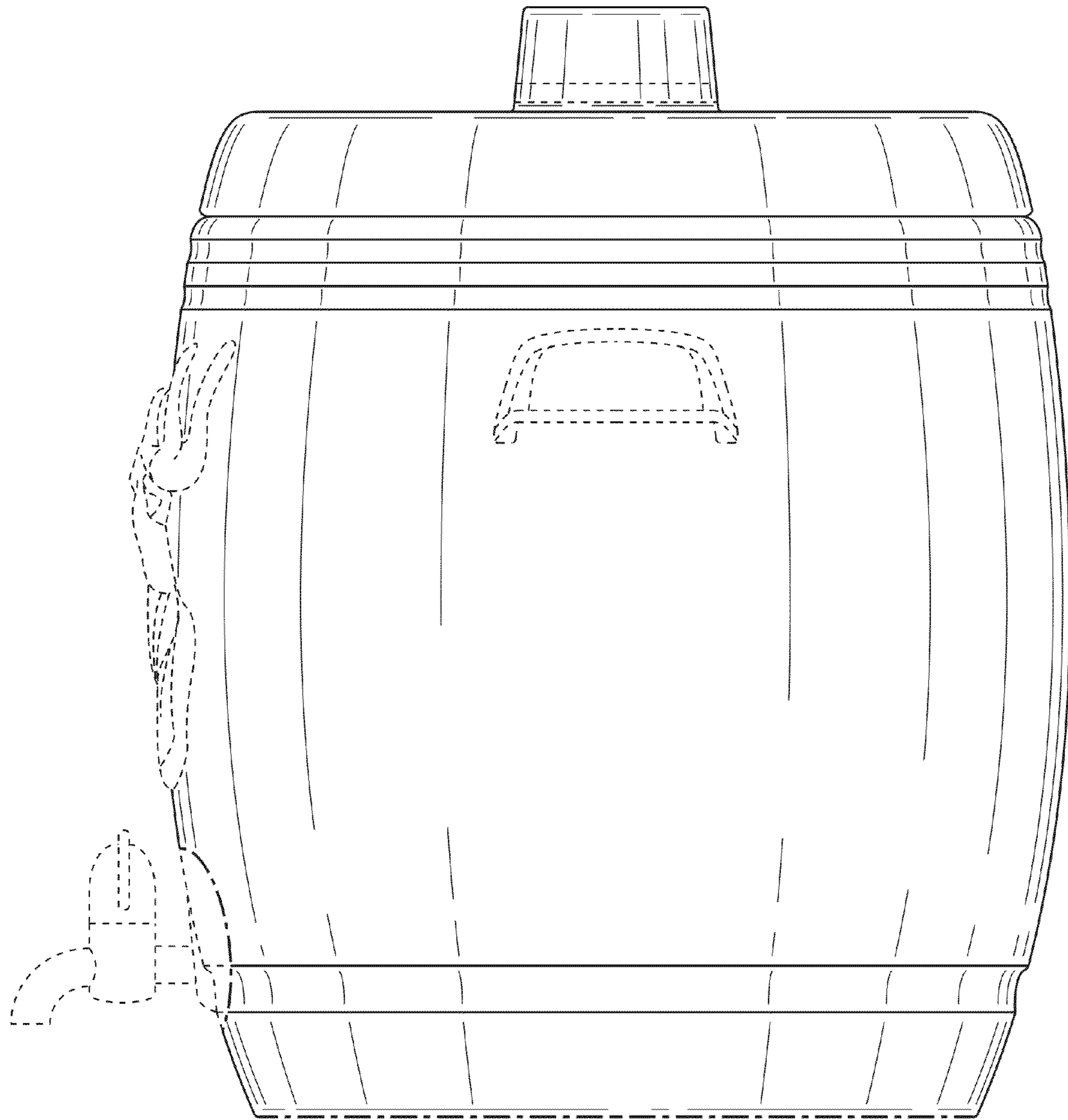


FIG. 4

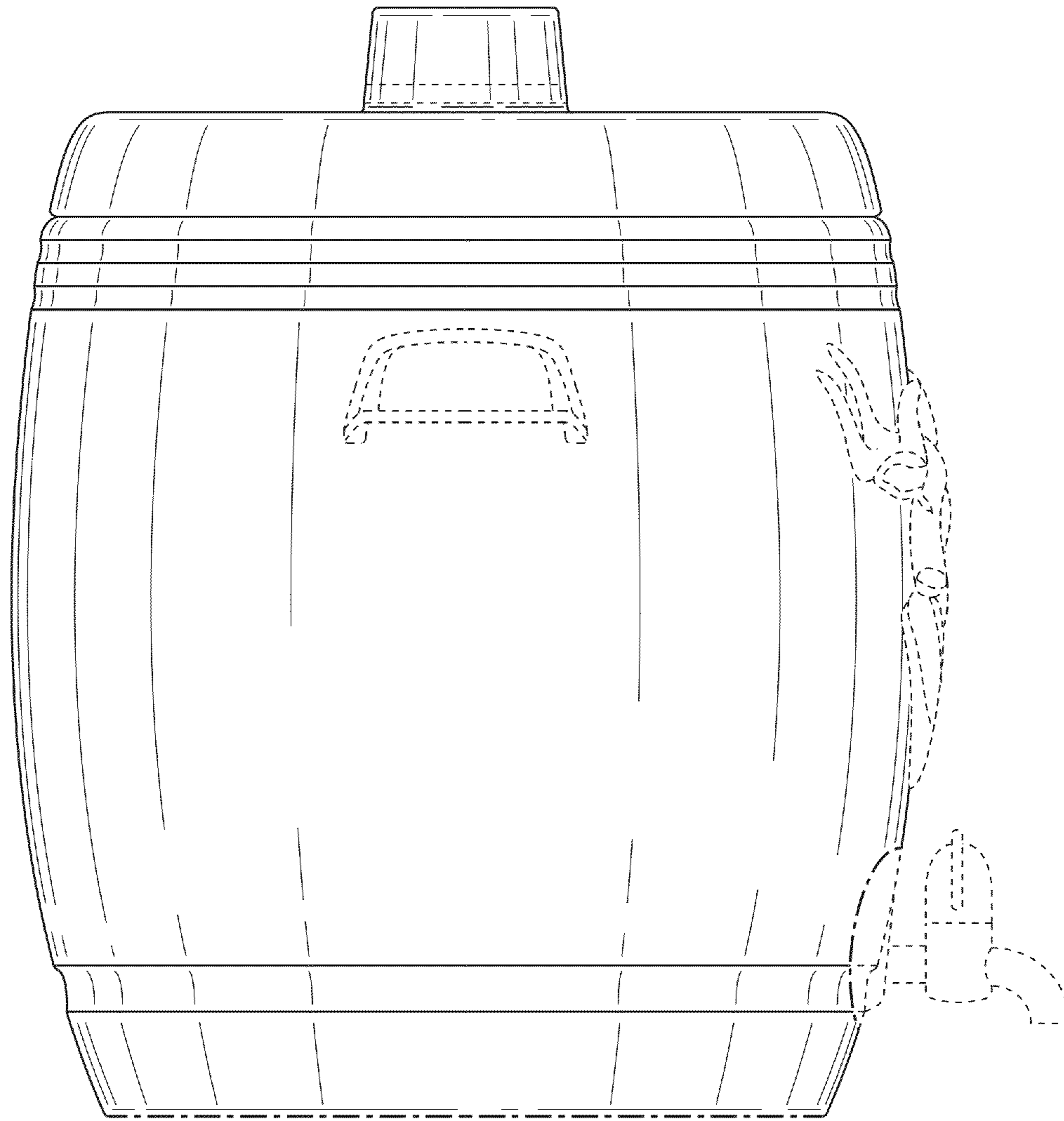


FIG. 5

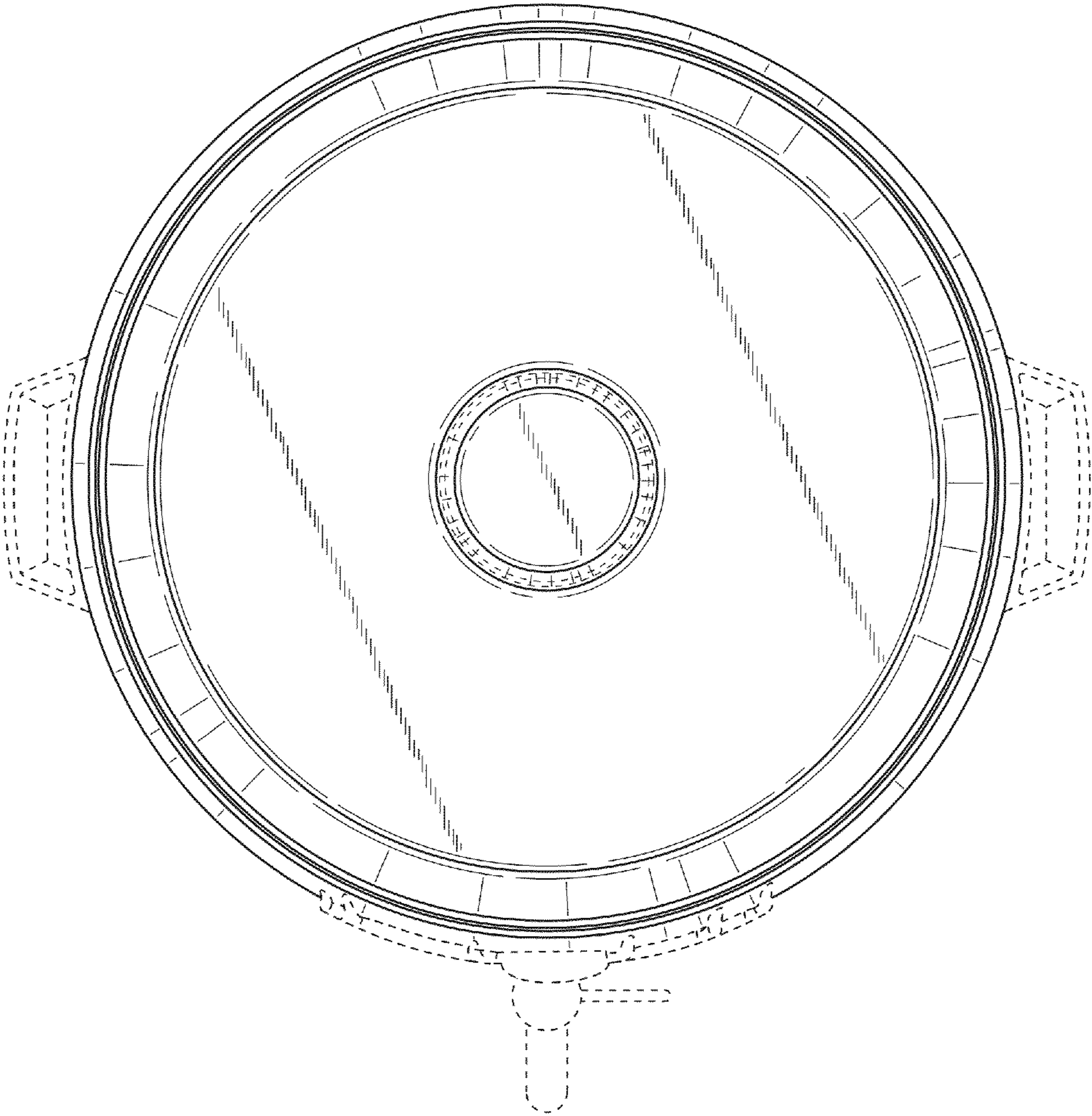


FIG. 6

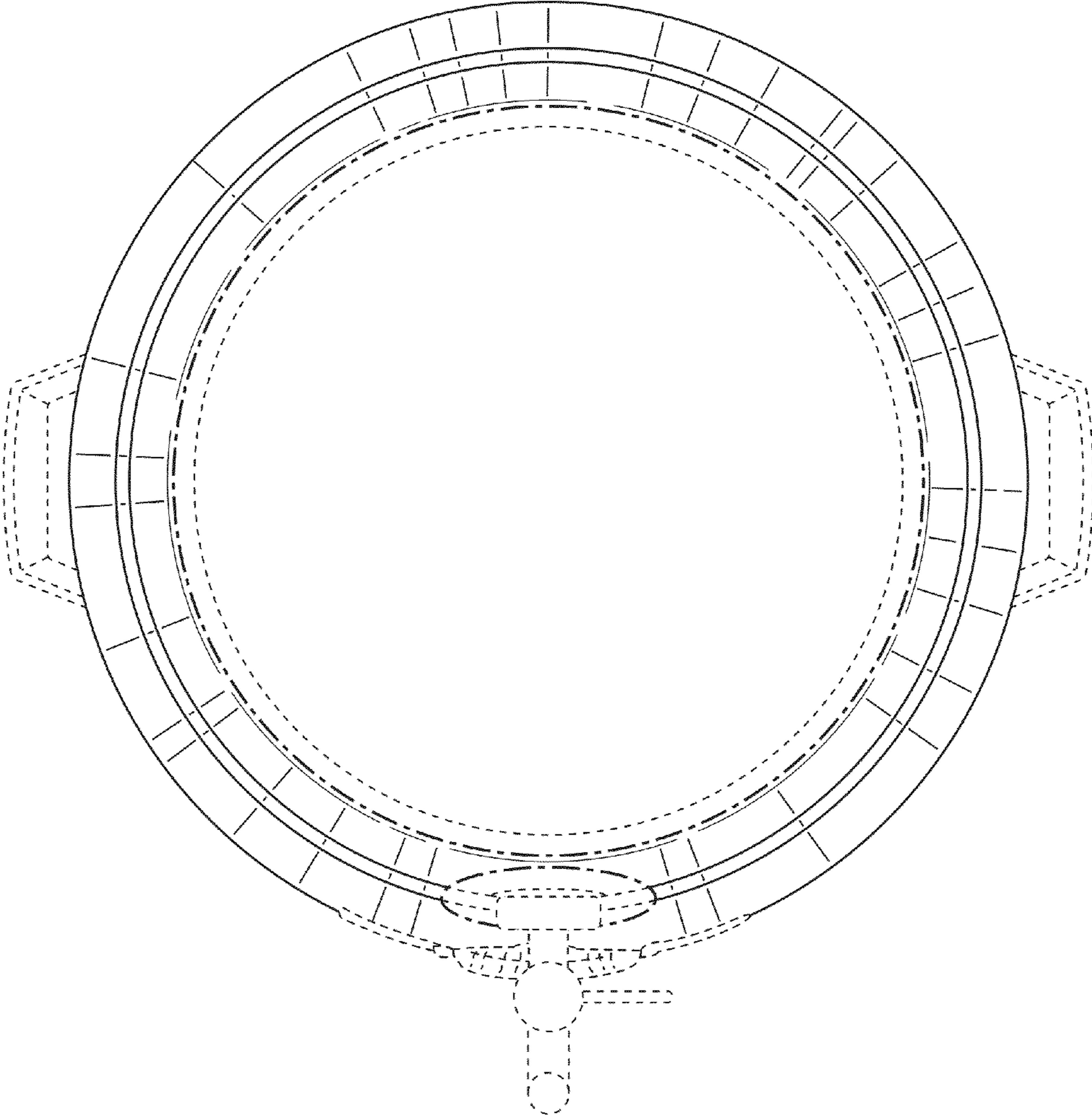


FIG. 7