



US00D731223S

(12) **United States Design Patent**
Hatherell

(10) **Patent No.:** **US D731,223 S**
(45) **Date of Patent:** **** Jun. 9, 2015**

(54) **BEVERAGE CARBONATION SYSTEM BASE**

(74) *Attorney, Agent, or Firm* — Bereskin & Parr LLP/S.E.N.C.R.L., s.r.l.

(71) Applicant: **Darren Hatherell**, Toronto (CA)

(72) Inventor: **Darren Hatherell**, Toronto (CA)

(57) **CLAIM**

The ornamental design for a beverage carbonation system base, as shown and described.

(73) Assignee: **Bonne O Inc.**, Toronto, Ontario (CA)

(**) Term: **14 Years**

DESCRIPTION

(21) Appl. No.: **29/469,585**

(22) Filed: **Oct. 11, 2013**

(51) **LOC (10) Cl.** **07-01**

(52) **U.S. Cl.**
USPC **D7/306; D7/311**

(58) **Field of Classification Search**
USPC D7/306–311, 301, 300, 326, 386, 399,
D7/397; 99/281, 305, 307, 323.1, 323.2;
141/247; 222/129.1, 129.3, 145.6;
D24/197; 426/115; 269/DIG. 7
See application file for complete search history.

FIG. 1 is a perspective view from the top front and side of a beverage carbonation system base showing my new design; FIG. 2 is a left side elevation view of the beverage carbonation system base shown in FIG. 1; FIG. 3 is a front elevation view of the beverage carbonation system base shown in FIG. 1; FIG. 4 is a right side elevation view of the beverage carbonation system base shown in FIG. 1; FIG. 5 is a rear elevation view of the beverage carbonation system base shown in FIG. 1; FIG. 6 is a top plan view of the beverage carbonation system base shown in FIG. 1; FIG. 7 is a bottom plan view of the beverage carbonation system base shown in FIG. 1; FIG. 8 is a perspective view from the top, front and one side of a beverage carbonation system base showing my new design; FIG. 9 is a left side elevation view of the beverage carbonation system base shown in FIG. 8; FIG. 10 is a front elevation view of the beverage carbonation system base shown in FIG. 8; FIG. 11 is a right side elevation view of the beverage carbonation system base shown in FIG. 8; FIG. 12 is a rear elevation view of the beverage carbonation system base shown in FIG. 8; FIG. 13 is a top plan view of the beverage carbonation system base shown in FIG. 8; and, FIG. 14 is a bottom plan view of the beverage carbonation system base shown in FIG. 8. The broken line showing of a beverage carbonation system bottle is included for the purpose of illustration and forms no part of the claimed design.

(56) **References Cited**

U.S. PATENT DOCUMENTS

565,922 A 8/1896 Prax
1,577,235 A 3/1926 Hucks
1,587,320 A 6/1926 Hucks

(Continued)

FOREIGN PATENT DOCUMENTS

DE 102007001609 A1 7/2008
EP 2341008 B1 4/2013

(Continued)

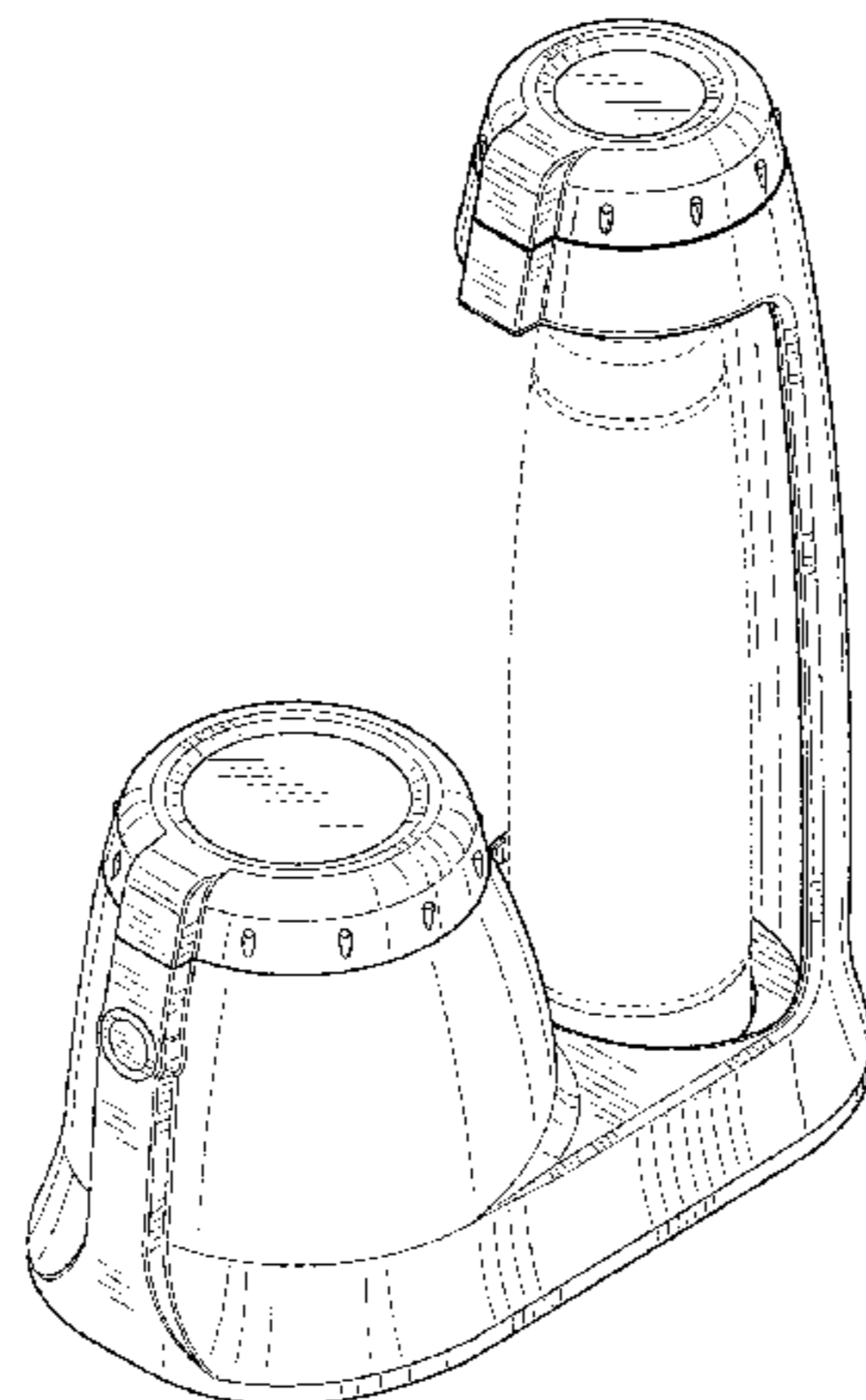
OTHER PUBLICATIONS

Clippard Minimatic(R), Technical Data Bulletin 9.08: "Sub-Miniature 10 mm & 15 mm Valve Manifolds".

(Continued)

Primary Examiner — Marianne Pandozzi

1 Claim, 8 Drawing Sheets



(56)

References Cited

U.S. PATENT DOCUMENTS

1,975,722 A 10/1934 Hucks
 2,102,920 A 12/1937 Savage
 2,205,147 A 6/1940 Madsen
 2,603,569 A 7/1952 Alther et al.
 2,742,363 A 4/1956 Hughes
 2,851,359 A 9/1958 Diller
 2,851,360 A 9/1958 Diller
 2,851,361 A 9/1958 Diller
 2,888,040 A 5/1959 Terwilliger et al.
 2,953,459 A 9/1960 Diller
 2,975,603 A 3/1961 Barnes et al.
 3,241,977 A 3/1966 Mitchell et al.
 3,441,417 A 4/1969 Feldman et al.
 3,467,526 A 9/1969 Mitchell et al.
 3,476,520 A 11/1969 Hovey
 3,492,671 A 1/1970 Hovey
 3,556,803 A 1/1971 Ehrreich, III et al.
 D220,579 S * 4/1971 Wickenberg et al. D7/309
 3,576,644 A 4/1971 Anderson et al.
 3,667,962 A 6/1972 Fritzberg et al.
 3,687,684 A 8/1972 Wentworth et al.
 3,881,636 A 5/1975 D'Aubreby
 3,888,998 A 6/1975 Sampson et al.
 3,926,342 A 12/1975 Selvia et al.
 3,992,493 A 11/1976 Whyte et al.
 4,007,134 A 2/1977 Liepa et al.
 4,009,285 A 2/1977 Spooner
 4,025,655 A 5/1977 Whyte et al.
 4,040,342 A 8/1977 Austin et al.
 4,082,123 A * 4/1978 Haythornthwaite et al. ... 141/64
 4,110,255 A 8/1978 Liepa et al.
 4,123,390 A 10/1978 Sherman et al.
 4,147,808 A 4/1979 Liepa et al.
 4,186,215 A 1/1980 Buchel
 4,215,104 A 7/1980 Ullman et al.
 4,251,473 A 2/1981 Gilbey
 4,285,977 A 8/1981 Yezek et al.
 4,316,409 A 2/1982 Adams et al.
 4,323,090 A * 4/1982 Magi 141/70
 4,399,081 A 8/1983 Mabb
 4,458,584 A 7/1984 Annese et al.
 4,460,612 A 7/1984 Saleeb et al.
 4,466,342 A 8/1984 Basile et al.
 4,475,448 A 10/1984 Shoaf et al.
 4,481,986 A * 11/1984 Meyers 141/4
 4,494,452 A * 1/1985 Barzso 99/323.1
 4,520,950 A 6/1985 Jeans
 4,636,337 A 1/1987 Gupta et al.
 4,650,669 A 3/1987 Alexander et al.
 4,695,468 A 9/1987 Boston
 4,719,056 A 1/1988 Scott
 4,760,138 A 7/1988 So et al.
 4,760,865 A 8/1988 Rilett
 4,786,519 A 11/1988 Gupta
 4,854,343 A 8/1989 Rilett
 4,871,571 A 10/1989 Jensen et al.
 5,021,219 A 6/1991 Rudick et al.
 5,174,901 A 12/1992 Smith
 5,182,084 A 1/1993 Plester
 5,192,513 A 3/1993 Stumphauzer et al.
 5,226,450 A 7/1993 Lambourn
 5,260,081 A * 11/1993 Stumphauzer et al. 426/477
 5,300,308 A 4/1994 Louridas
 5,325,765 A 7/1994 Sylvan et al.
 5,350,587 A 9/1994 Plester
 5,353,958 A 10/1994 Hawkins
 5,460,846 A 10/1995 Stumphauzer et al.
 5,549,037 A 8/1996 Stumphauzer et al.
 5,743,433 A 4/1998 Hawkins et al.
 5,870,944 A 2/1999 Vander Zalm et al.
 5,918,768 A 7/1999 Ford
 6,113,080 A 9/2000 Kazuma
 D452,433 S 12/2001 Lazaris
 6,505,758 B2 1/2003 Black et al.
 6,607,762 B2 8/2003 Lazaris et al.

D503,064 S * 3/2005 Since D7/309
 D507,449 S * 7/2005 Burton et al. D7/309
 6,926,170 B2 8/2005 Groesbeck
 7,213,505 B2 5/2007 Kollep
 D552,402 S * 10/2007 Schwamkrug D7/309
 D610,388 S * 2/2010 Hazan et al. D7/306
 D610,857 S * 3/2010 Pateman et al. D7/306
 7,706,671 B2 4/2010 Brown
 7,798,055 B2 9/2010 Mandralis et al.
 7,838,056 B2 11/2010 Forgac et al.
 7,975,988 B2 7/2011 Thomson et al.
 D688,081 S * 8/2013 Warburton D7/309
 2002/0136816 A1 9/2002 Kim
 2003/0007923 A1 1/2003 Copenhafer et al.
 2003/0211204 A1 11/2003 Fields et al.
 2004/0245279 A1 12/2004 Bradley et al.
 2005/0181108 A1 8/2005 Kushner et al.
 2006/0112831 A1 6/2006 Greenwald et al.
 2007/0012051 A1 1/2007 Acton et al.
 2007/0175927 A1 8/2007 Ozanne et al.
 2008/0050500 A1 2/2008 Muranishi et al.
 2008/0115674 A1 5/2008 Huang et al.
 2009/0121364 A1 5/2009 Scott
 2009/0136632 A1 5/2009 Gutwein et al.
 2009/0219140 A1 9/2009 Guard et al.
 2009/0223375 A1 9/2009 Verbeek
 2010/0003384 A1 1/2010 Iacovone et al.
 2010/0018406 A1 1/2010 Koopman et al.
 2010/0028495 A1 2/2010 Novak et al.
 2010/0034889 A1 2/2010 Rau et al.
 2010/0050880 A1 3/2010 Suter
 2010/0129490 A1 5/2010 Williams et al.
 2010/0166915 A1 7/2010 Mathisen et al.
 2010/0209582 A1 8/2010 Wyss et al.
 2010/0288131 A1 11/2010 Kilber et al.
 2011/0020500 A1 1/2011 Eichler et al.
 2011/0020508 A1 1/2011 Santoiemmo
 2011/0076361 A1 3/2011 Peterson et al.
 2011/0226343 A1 9/2011 Novak et al.
 2011/0244040 A1 10/2011 Ono et al.
 2012/0082769 A1 4/2012 Singh
 2012/0292790 A1 11/2012 Tatera
 2014/0004240 A1 1/2014 Hatherell
 2014/0004241 A1 1/2014 Hatherell
 2014/0070431 A1 3/2014 Hatherell
 2014/0079856 A1 3/2014 Hatherell

FOREIGN PATENT DOCUMENTS

GB 323102 A 12/1929
 GB 2038953 A 7/1980
 WO 94/16579 A1 8/1994
 WO 2004072351 A1 8/2004
 WO 2005079361 A2 9/2005
 WO 2008124851 A1 10/2008
 WO 2009114119 A1 9/2009
 WO 2011094677 A2 8/2011
 WO 2014000092 A1 1/2014
 WO 2014033705 A2 3/2014

OTHER PUBLICATIONS

Certified copy of priority document made available under the Patent Cooperation Treaty (PCT) for PCT/US2011/023157 (WO2011094677): U.S. Appl. No. 61/337,184, filed Feb. 1, 2010. Written Opinion; PCT Application No. PCT/CA2013/000605; Dated Oct. 1, 2013. International Search Report; PCT Application No. PCT/CA2013/000605; Dated Oct. 1, 2013. Vignesh Ramachandran, "SPRiZZi Drink Machine Is Like a Keurig for Soda"; Webpages from <http://mashable.com/2013/05/02/sprizzi-drink-machine>; Published May 2, 2013. Sprizzi Drink-Co; Webpages from <http://www.sprizzidrink.com>; Accessed Dec. 4, 2013. Michael Breault; "Kickstarter: Drink Machine by SPRiZZi . . . The Ultimate Beverage Solution!"; Webpages from <http://www.kickstarter.com/projects/sprizzi/drink-machine-by-sprizzi-the-ultimate-beverage-sol.com>; Earliest update noted in document: May 1, 2013.

(56)

References Cited

OTHER PUBLICATIONS

Sprizzi Drink-Co.; Webpages archived from www.sprizzidrink.com, by the "Internet Archive Wayback Machine" at <http://web.archive.org/web/20120615195921/http://www.sprizzidrink.com>; Archive Date: Jun. 15, 2012.

Sodastream; Webpages from <http://www.sodastream.ca/en/index.php>; Accessed Dec. 4, 2013.

Wikipedia, "Sodastream"; Webpages from <http://en.wikipedia.org/wiki/Sodastream>; Modified Jun. 3, 2013; Accessed Jul. 18, 2013.

Written Opinion; International Application No. PCT/CA2013/001067; Dated Apr. 8, 2014.

International Search Opinion; International Application No. PCT/CA2013/001067; Dated Apr. 8, 2014.

Watson, Elaine; Green Mountain Coffee Roasters: 'Game-changing' Keurig 2.0 will tackle unlicensed K-Cup challenge; Dated Nov. 22, 2013; webpages from <http://www.foodnavigator-usa.com/Manufacturers/Green-Mountain-Coffee-Roasters-Game-changing-Keurig-2.0-will-tackle-unlicensed-K-Cup-challenge>.

Kelley, Brian; Sullivan, Kevin; Hartley, Kevin "Innovation Pipeline", Keurig™ Green Mountain™ Investor Presentation; first accessed online Sep. 10, 2013 at <http://investor.keuriggreenmountain.com/investorday.cfm>.

* cited by examiner

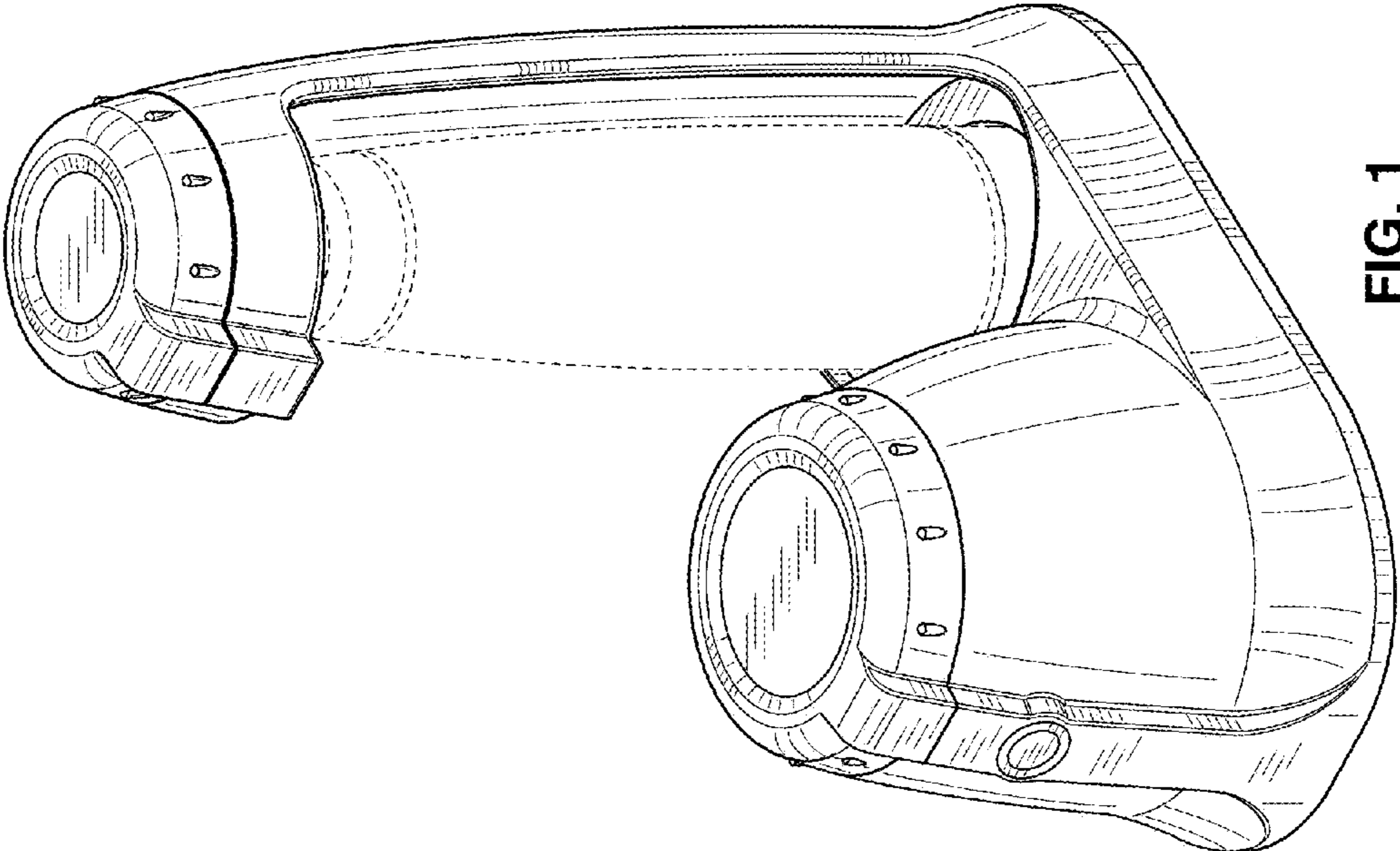


FIG. 1

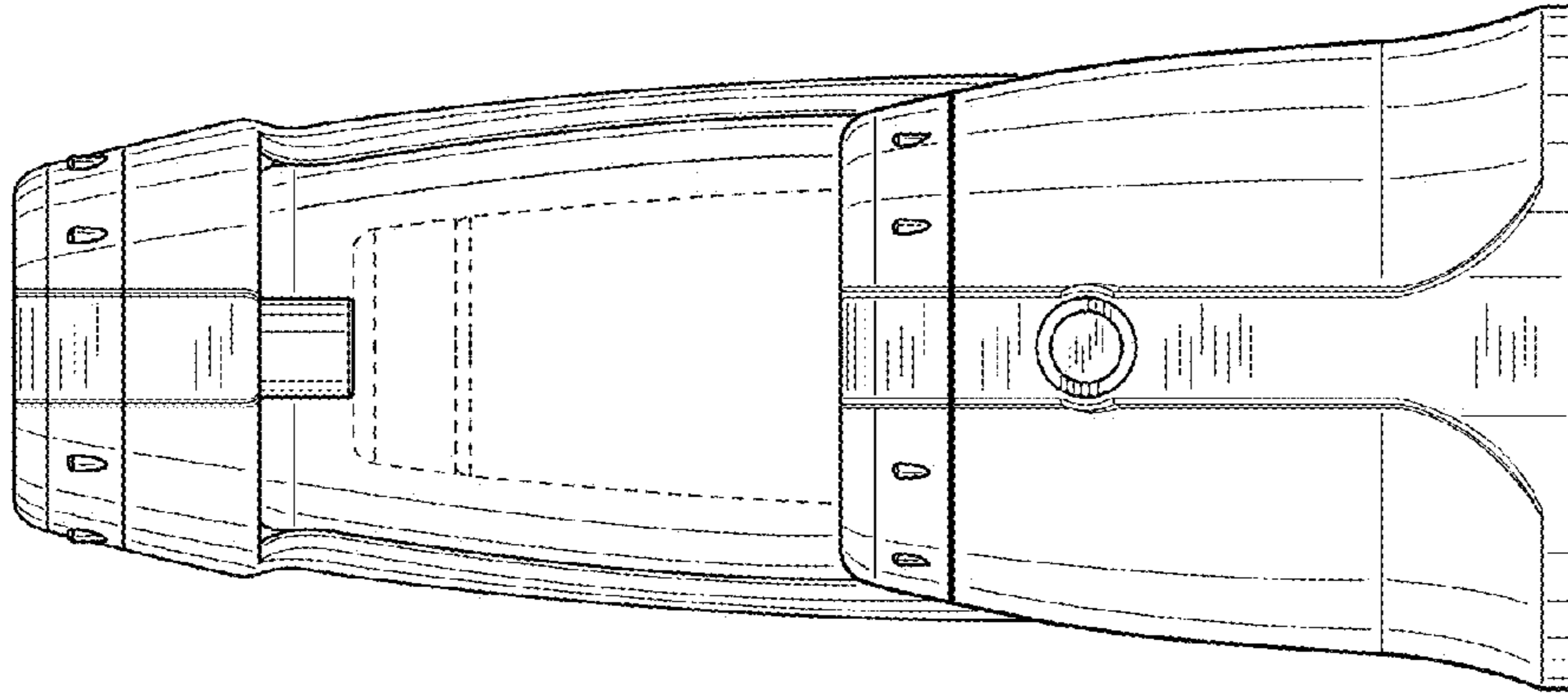


FIG. 3

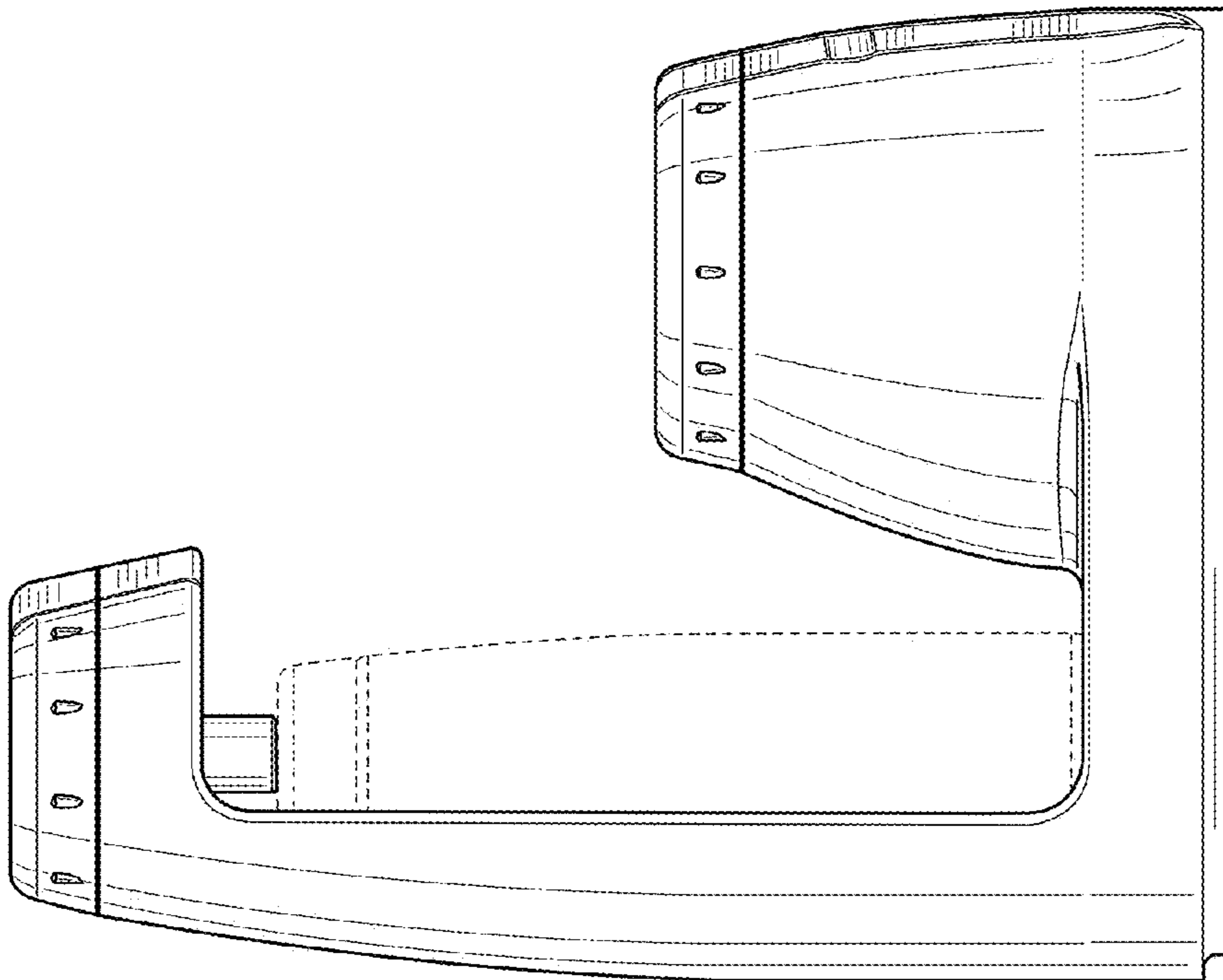


FIG. 2

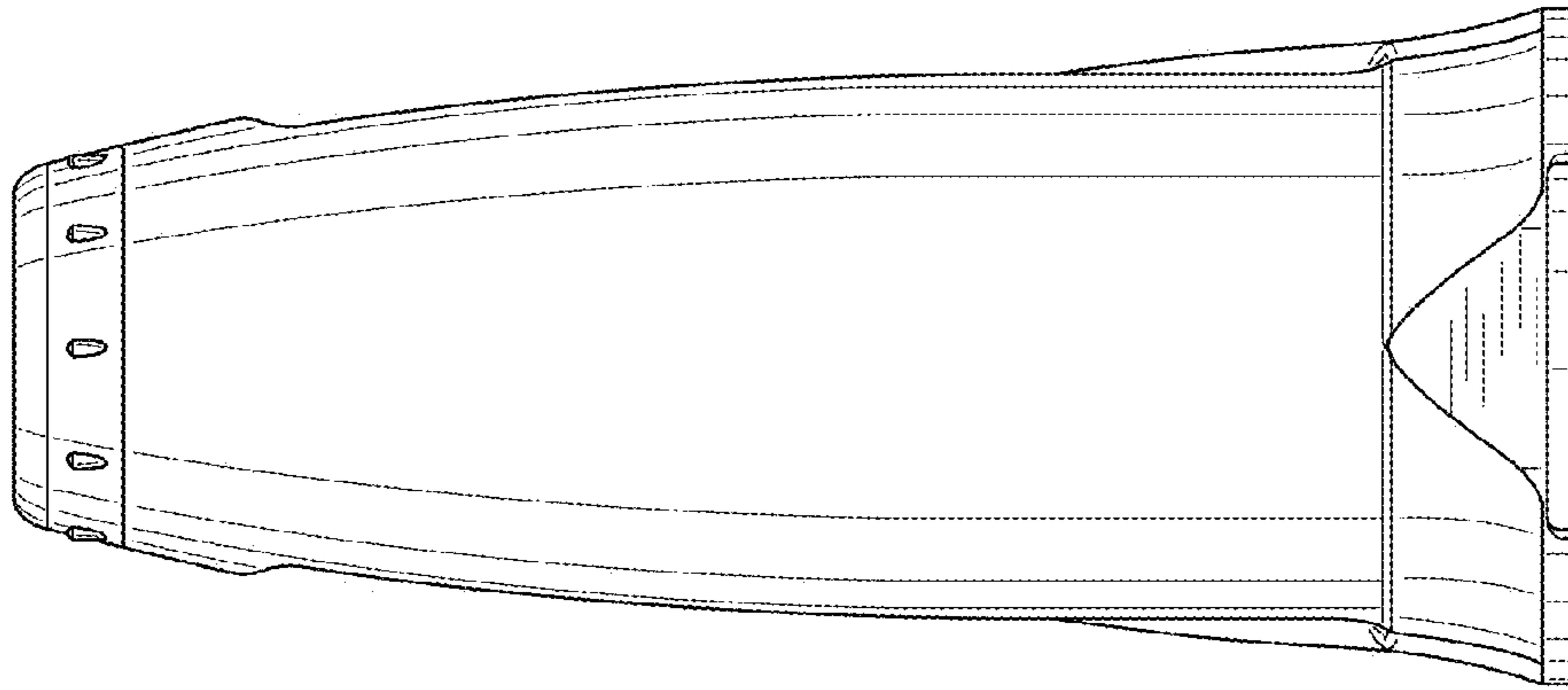


FIG. 5

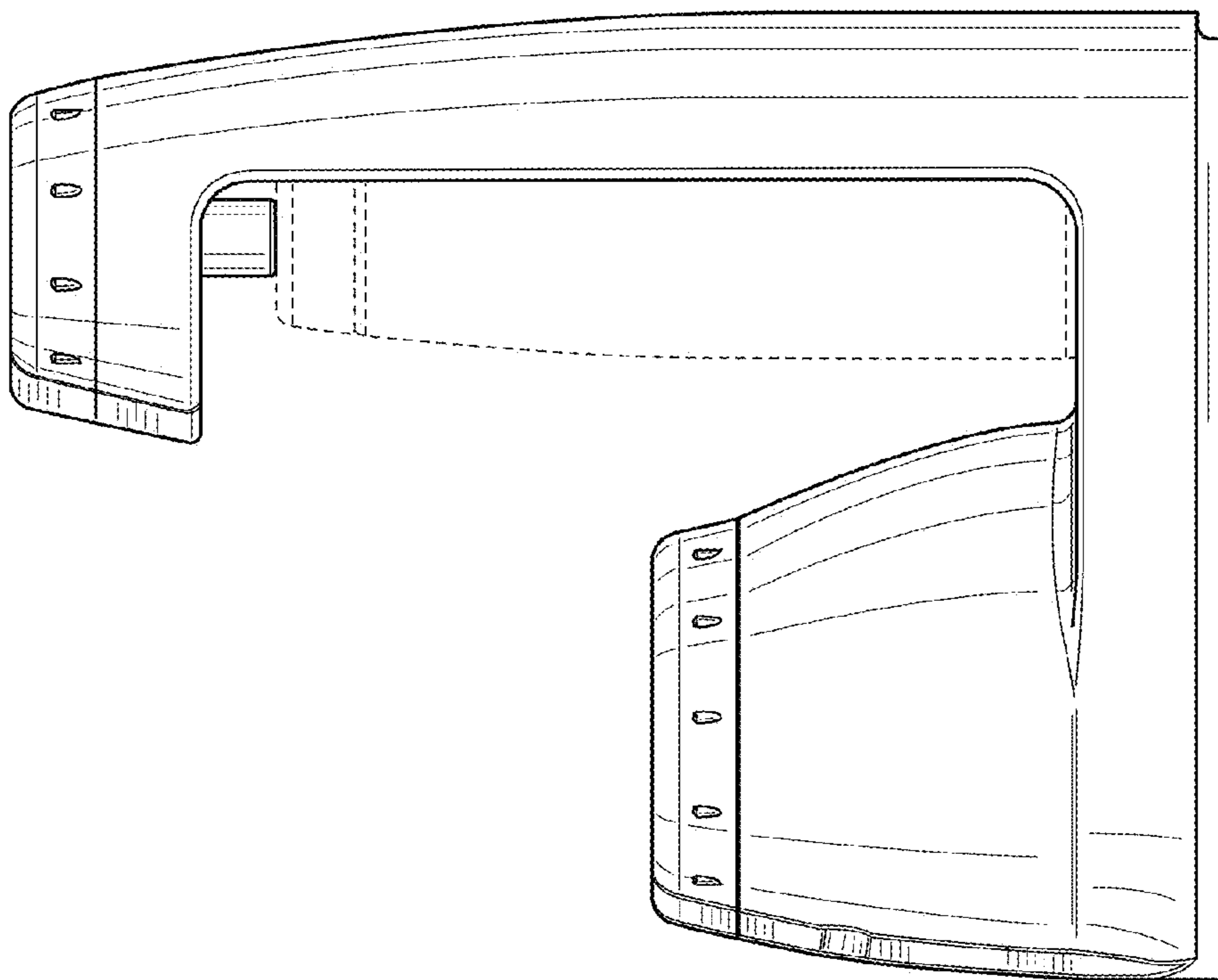


FIG. 4

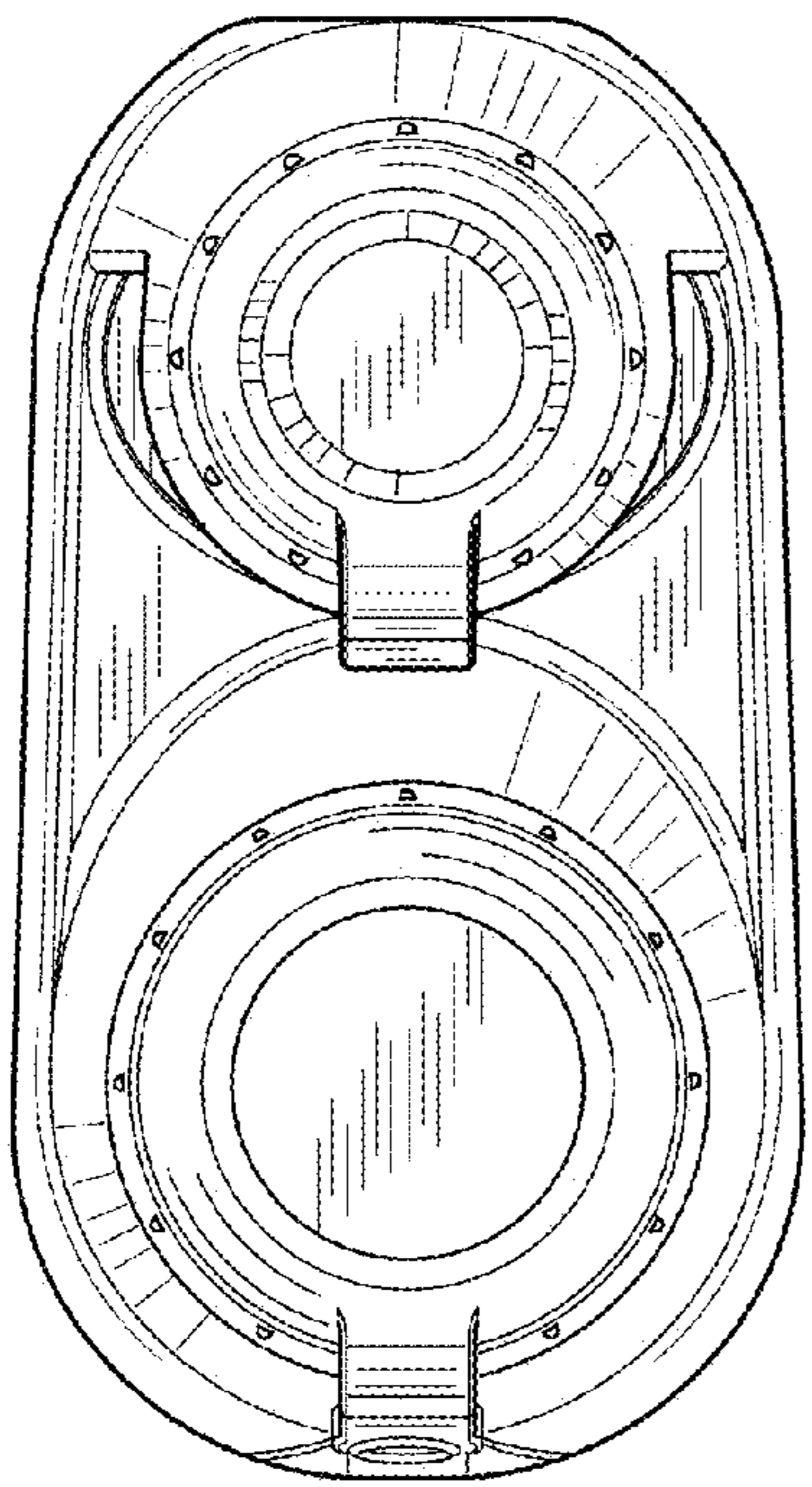


FIG. 6

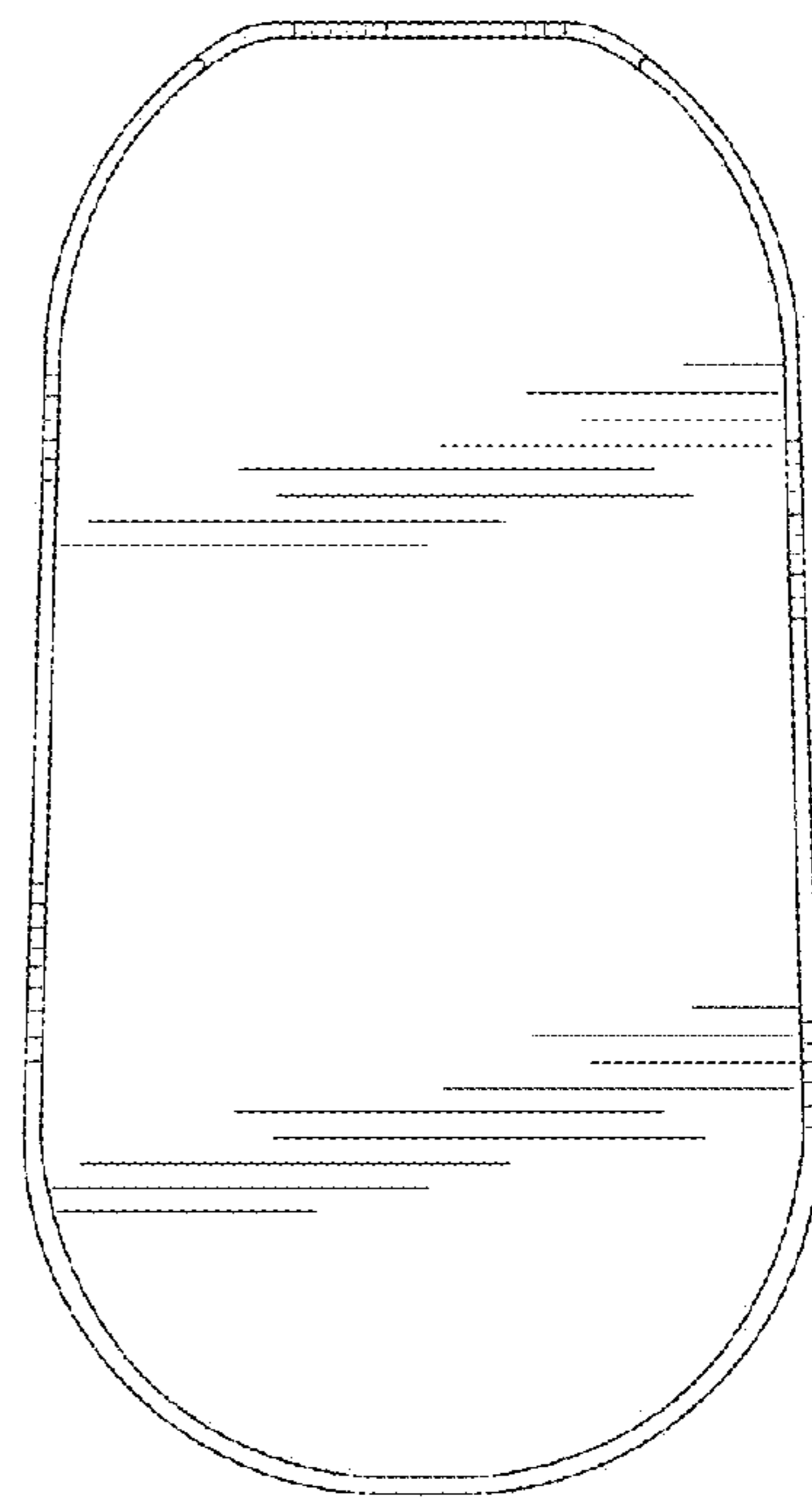


FIG. 7

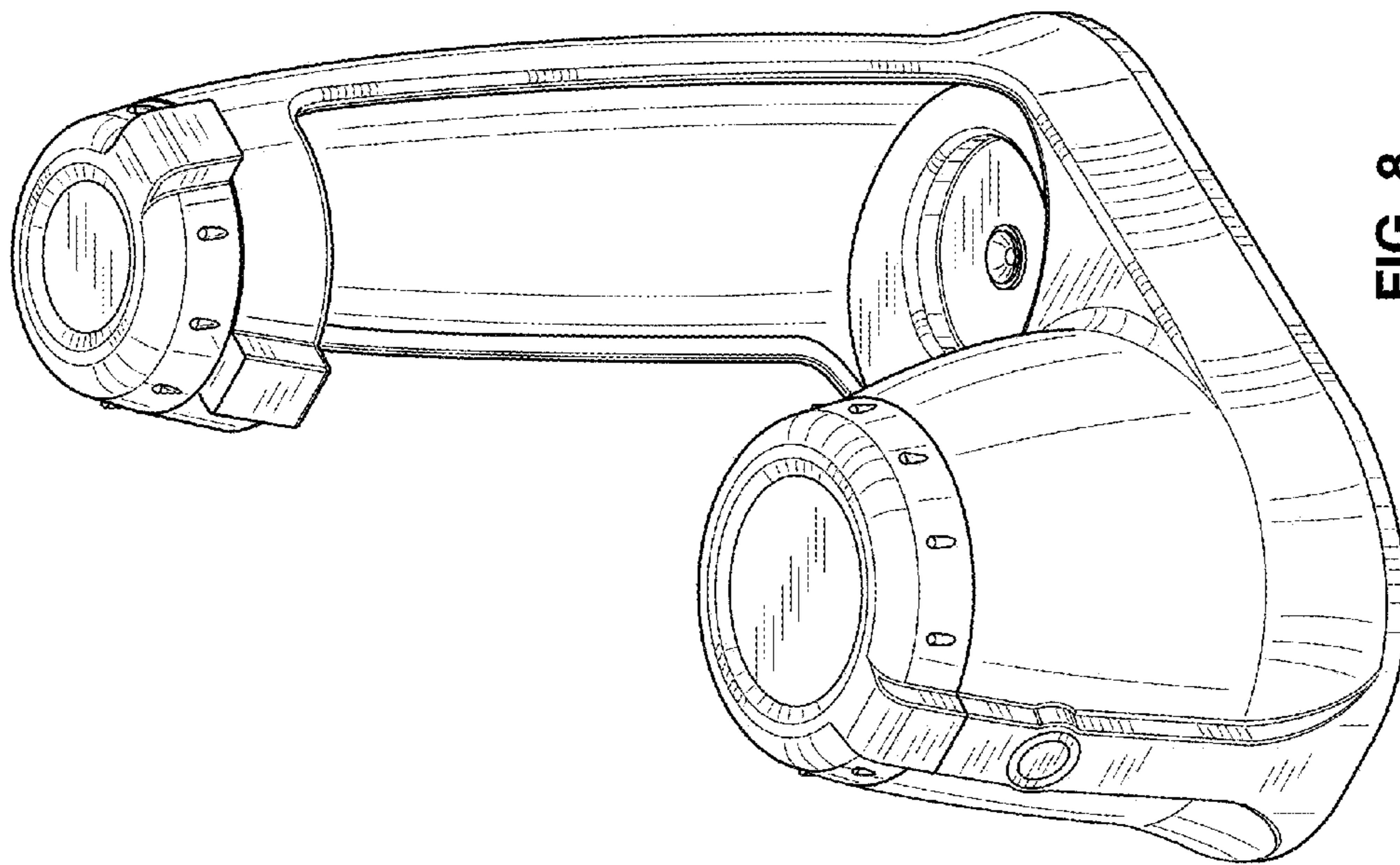


FIG. 8

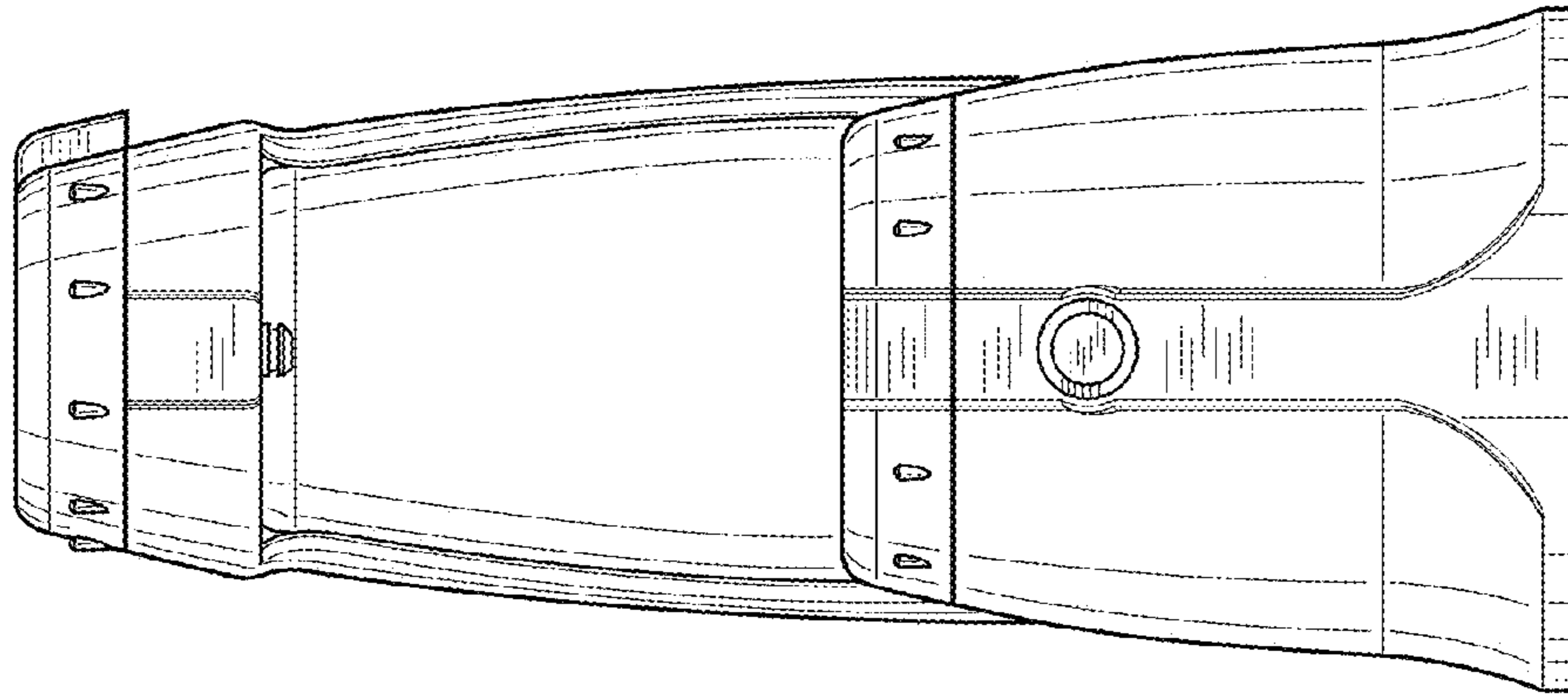


FIG. 10

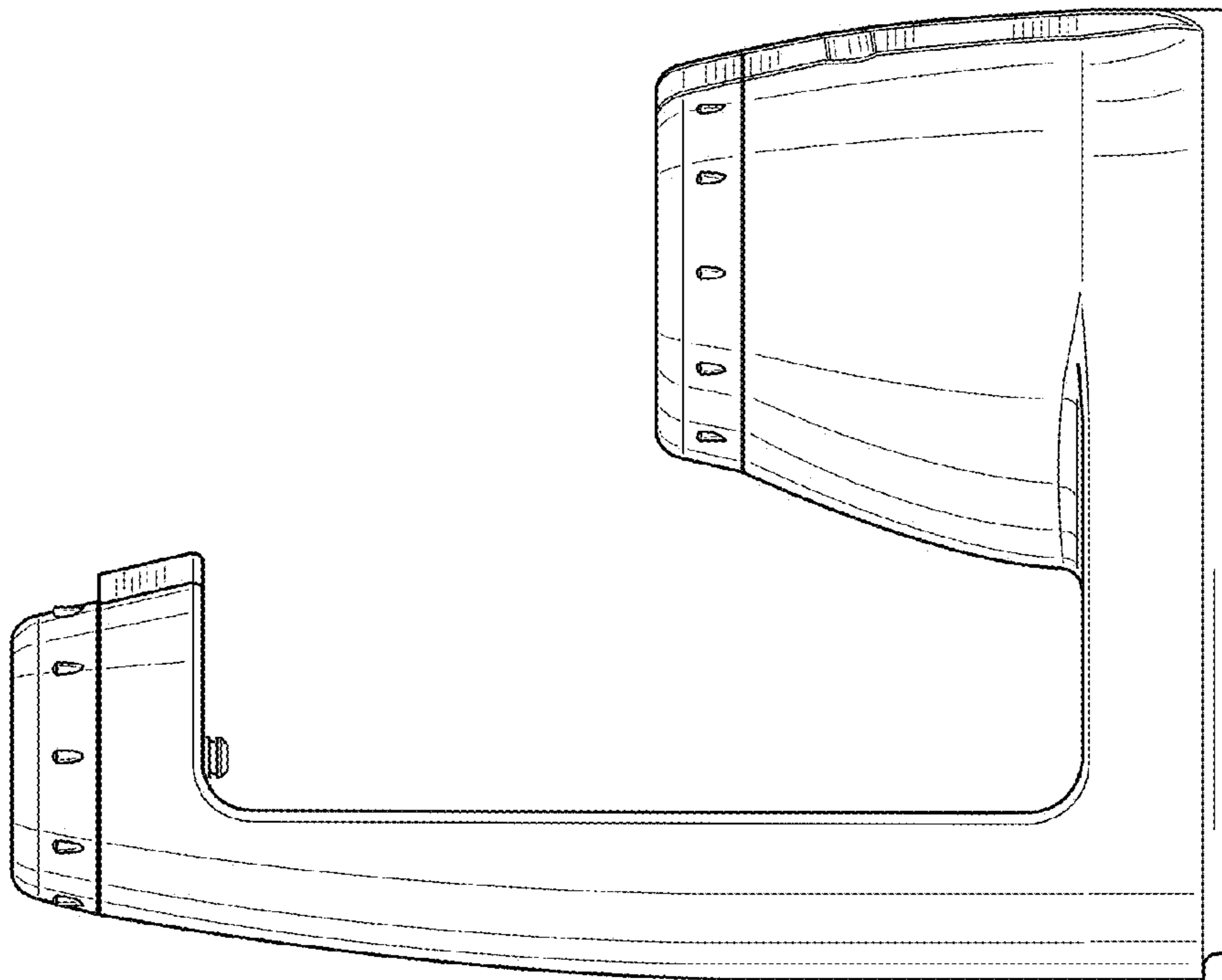


FIG. 9

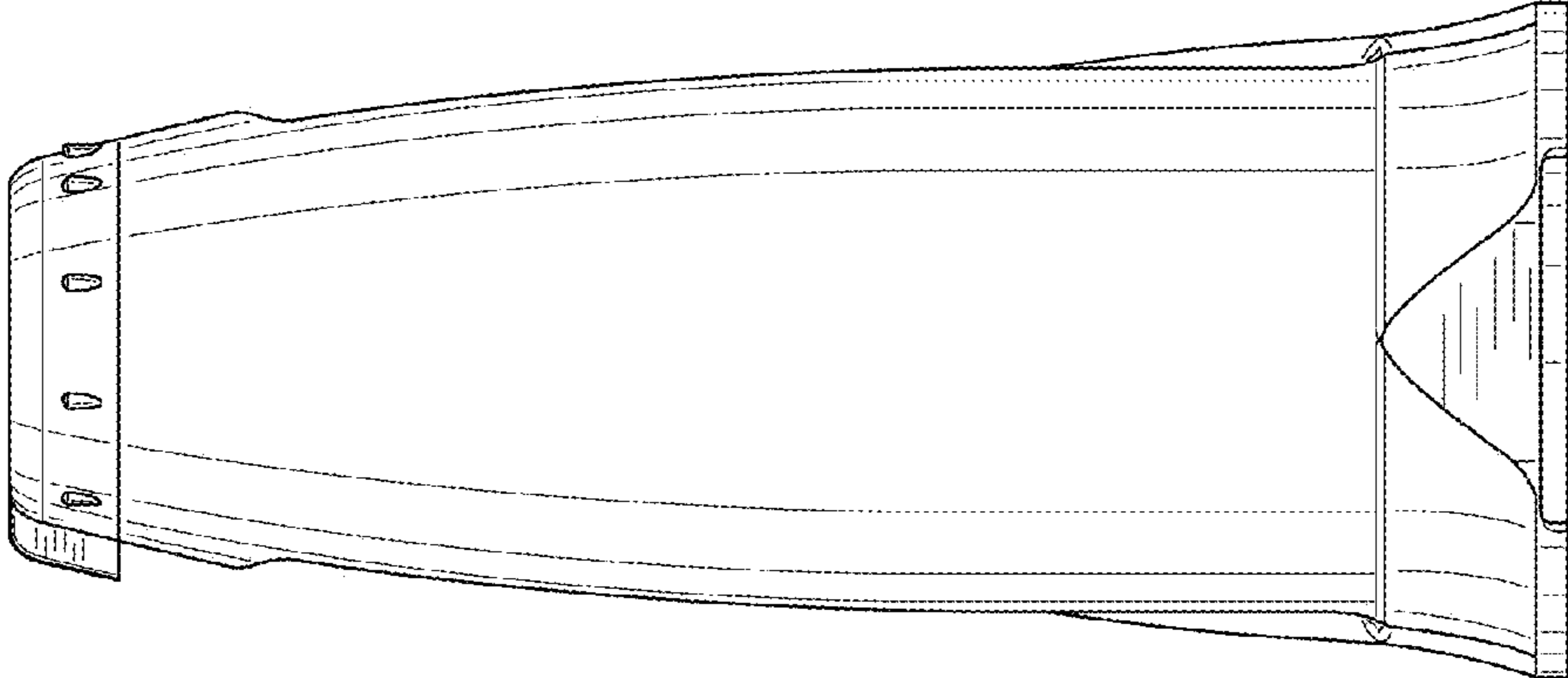


FIG. 12

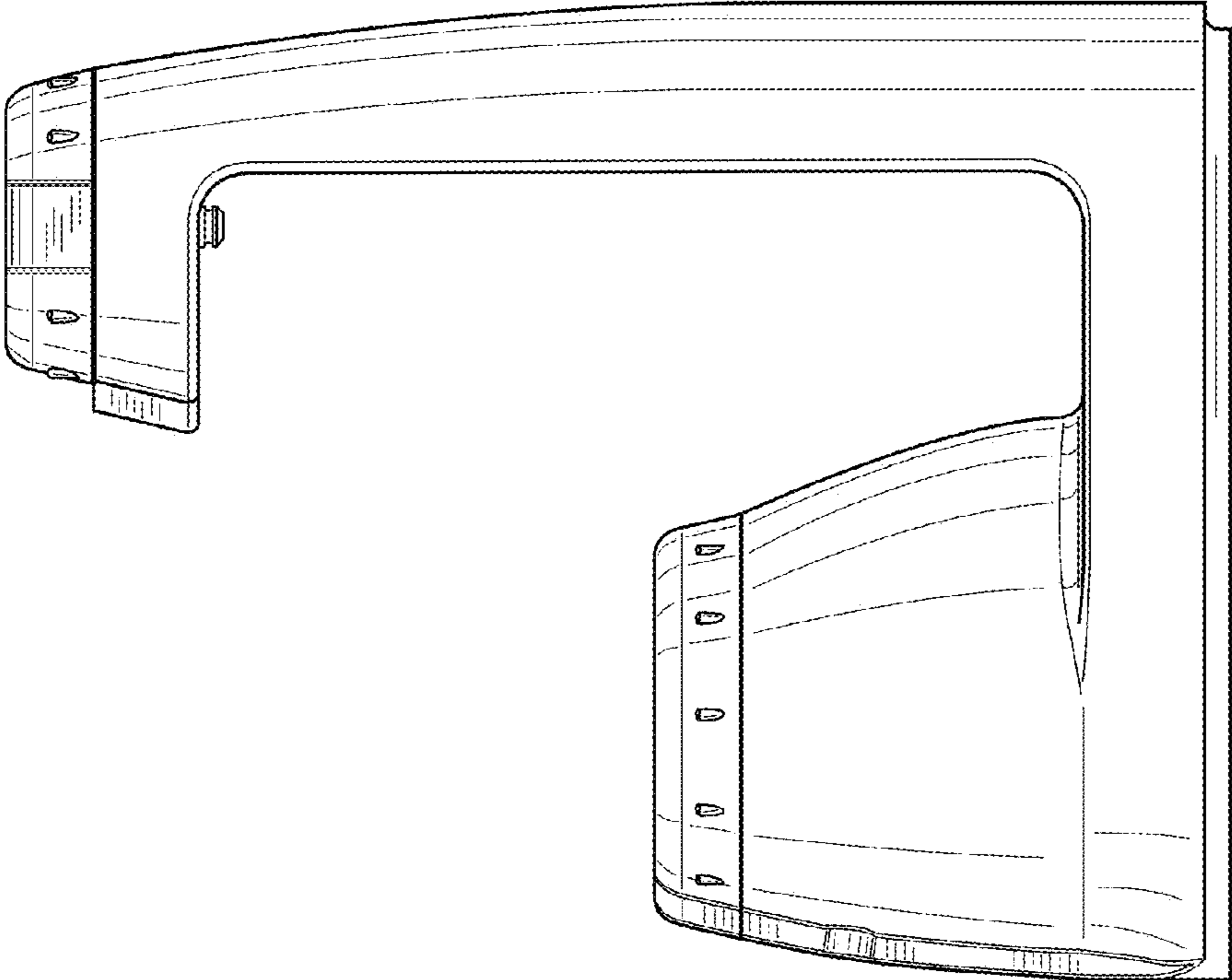


FIG. 11

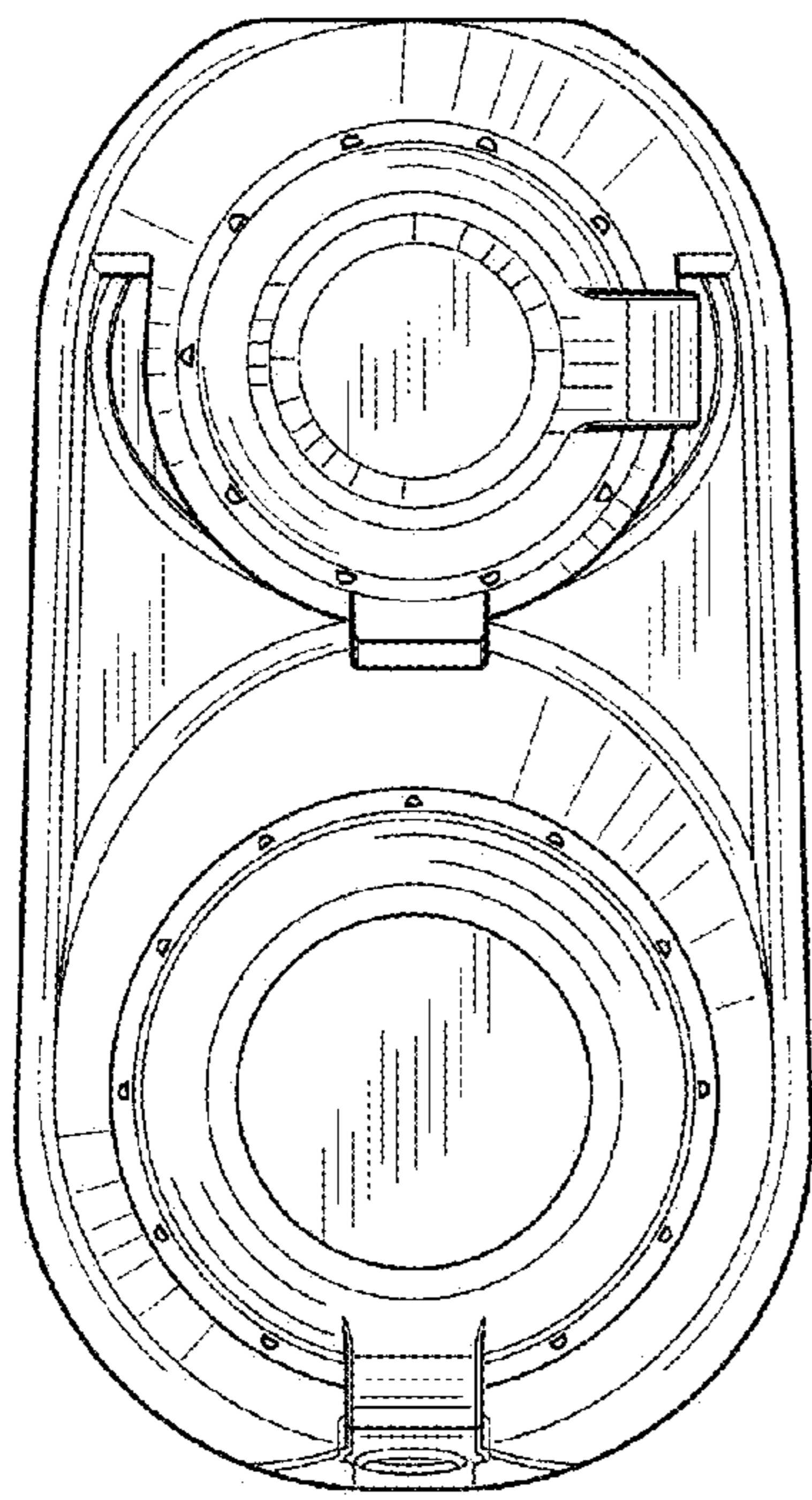


FIG. 13

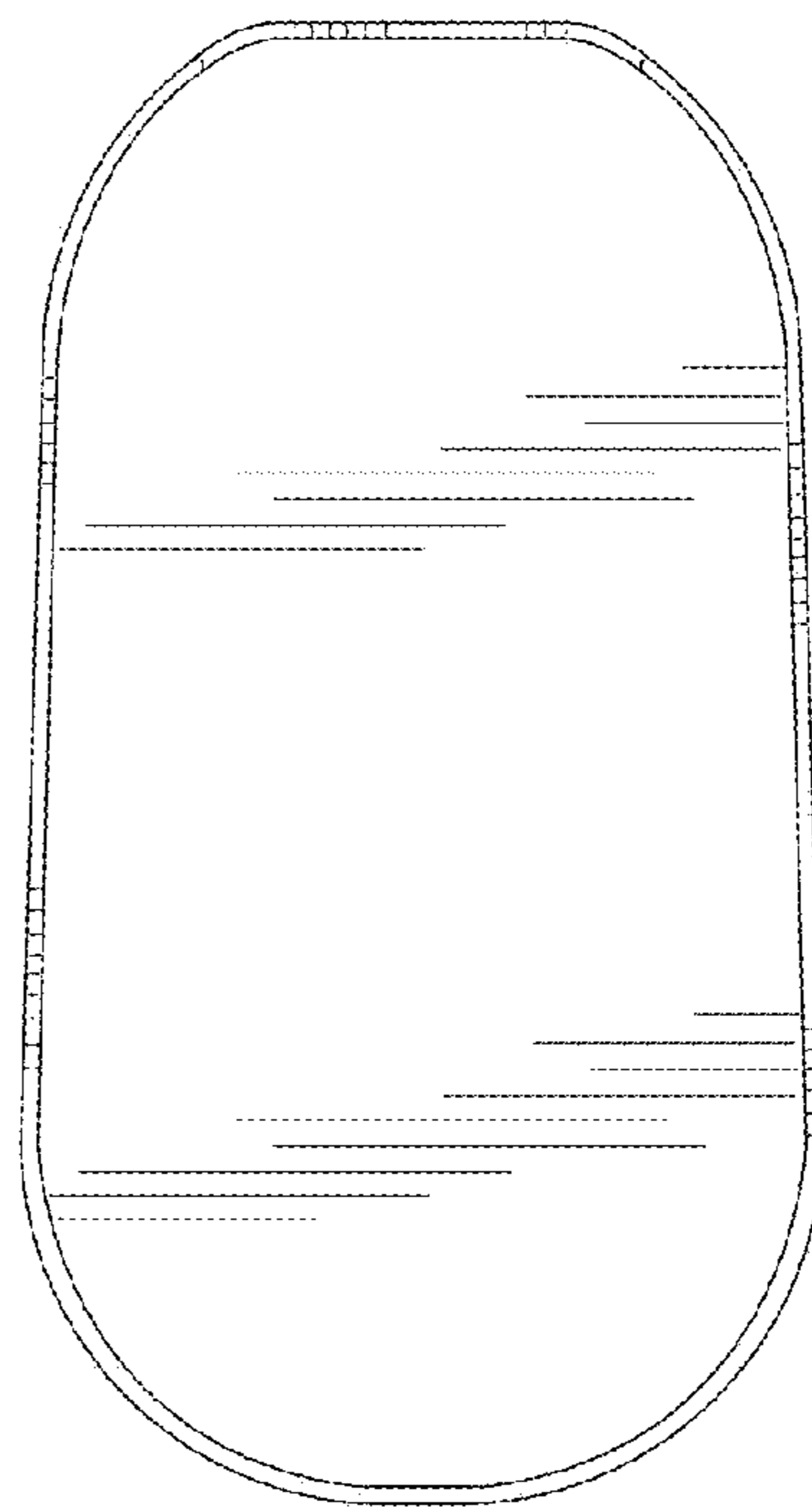


FIG. 14