



US00D731222S

(12) **United States Design Patent**
Bosman

(10) **Patent No.:** **US D731,222 S**
(45) **Date of Patent:** **** Jun. 9, 2015**

(54) **SIDE CHAIR SEAT SHELL**
(71) Applicant: **Krueger International, Inc.**, Green Bay, WI (US)
(72) Inventor: **Scott Anthony Bosman**, Green Bay, WI (US)
(73) Assignee: **Krueger International, Inc.**, Green Bay, WI (US)
(**) Term: **14 Years**

D463,149 S 9/2002 Levy
D518,304 S 4/2006 Crescenti
D519,294 S 4/2006 Frenkler et al.
D600,035 S 9/2009 Olano Jauregui
D602,273 S * 10/2009 Starczewski D6/366
D621,632 S 8/2010 Ritter
D638,231 S * 5/2011 Lievore et al. D6/375
D642,818 S * 8/2011 Caldwell D6/375
D654,283 S 2/2012 Oliveros et al.
D663,132 S * 7/2012 Morrison D6/375
D665,593 S * 8/2012 Morrison D6/375
D666,428 S * 9/2012 Morrison D6/375
D683,558 S 6/2013 Rada et al.
D690,147 S * 9/2013 Meyer D6/716

(21) Appl. No.: **29/484,213**
(22) Filed: **Mar. 7, 2014**
(51) **LOC (10) Cl.** **06-01**
(52) **U.S. Cl.**
USPC **D6/716**
(58) **Field of Classification Search**
USPC D6/334-336, 366, 371, 372, 373, 374,
D6/375, 376, 379, 380, 716, 716.1, 716.2,
D6/716.4
CPC A47C 3/12; A47C 7/16; A47C 7/54;
A47C 7/022; A47C 7/40
See application file for complete search history.

* cited by examiner

Primary Examiner — Mimoso De
(74) *Attorney, Agent, or Firm* — Andrus Intellectual Property Law, LLP

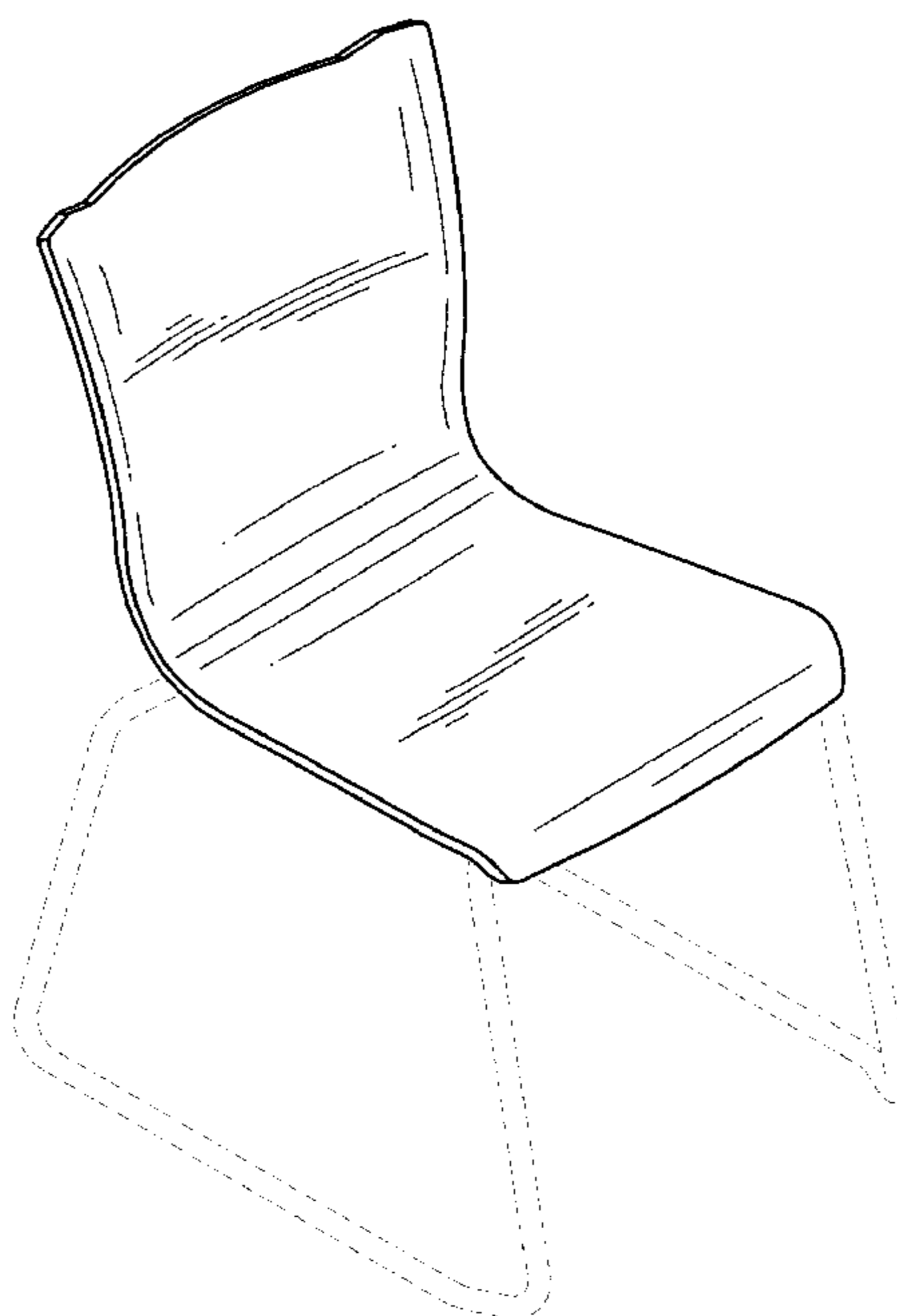
(57) **CLAIM**
The ornamental design for side chair seat shell, as shown and described.

DESCRIPTION

FIG. 1 is a front isometric view of the side chair seat shell incorporating my new design;
FIG. 2 is a right side elevation view thereof, wherein the left side elevation view is a mirror image thereof;
FIG. 3 is a front elevation view thereof;
FIG. 4 is a rear elevation view thereof;
FIG. 5 is a top plan view thereof; and,
FIG. 6 is a bottom plan view thereof.
The portions shown in broken lines illustrate environment only and form no part of the claimed design.

1 Claim, 4 Drawing Sheets

(56) **References Cited**
U.S. PATENT DOCUMENTS
D142,800 S * 11/1945 Watson D6/375
D339,006 S * 9/1993 Schneider D6/375
D343,965 S * 2/1994 Werner D6/375
D351,510 S * 10/1994 Lucci et al. D6/372
D360,786 S * 8/1995 Zapf D6/716
D374,130 S * 10/1996 Braun D6/375
D442,792 S * 5/2001 Martin D6/375



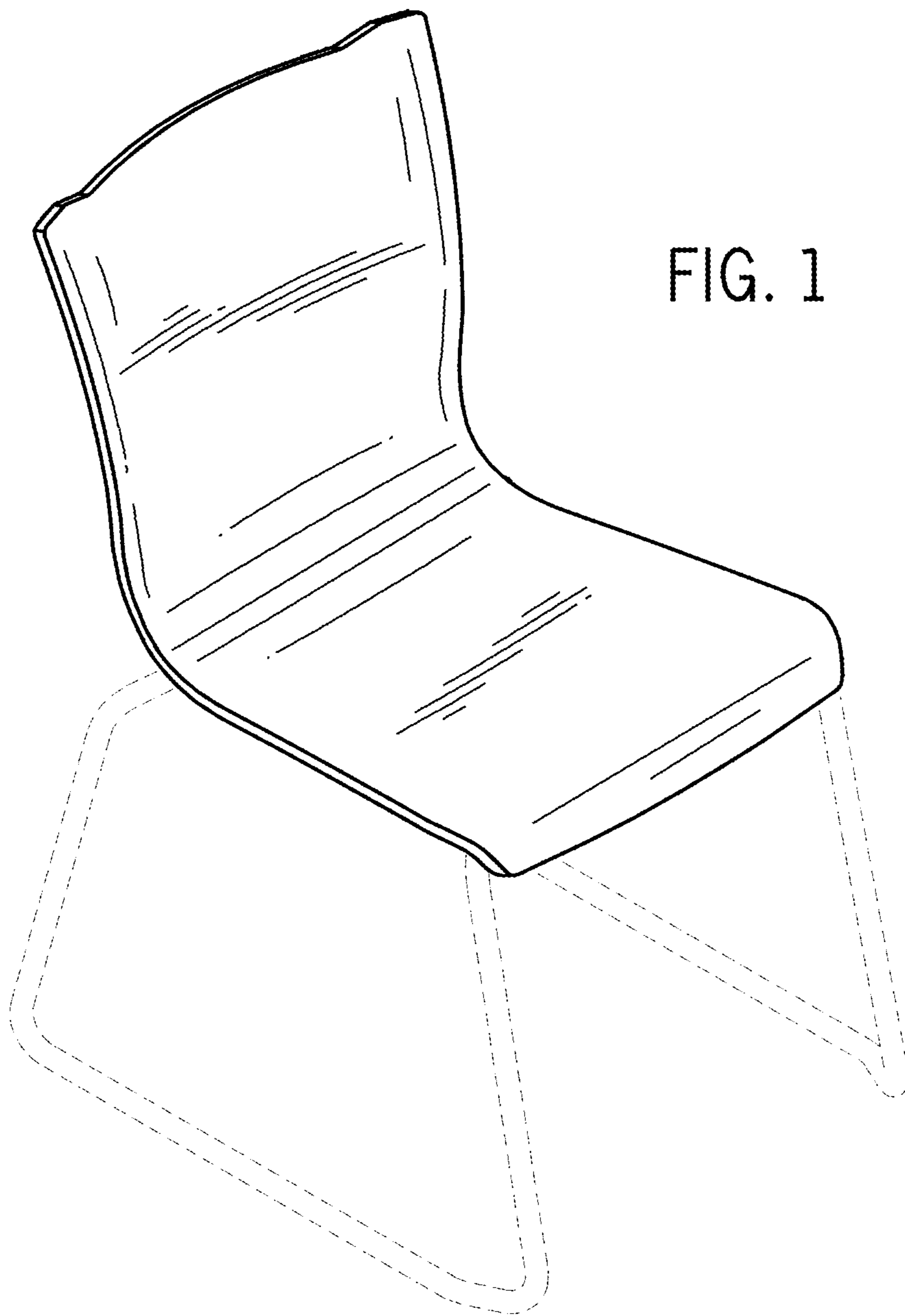


FIG. 1

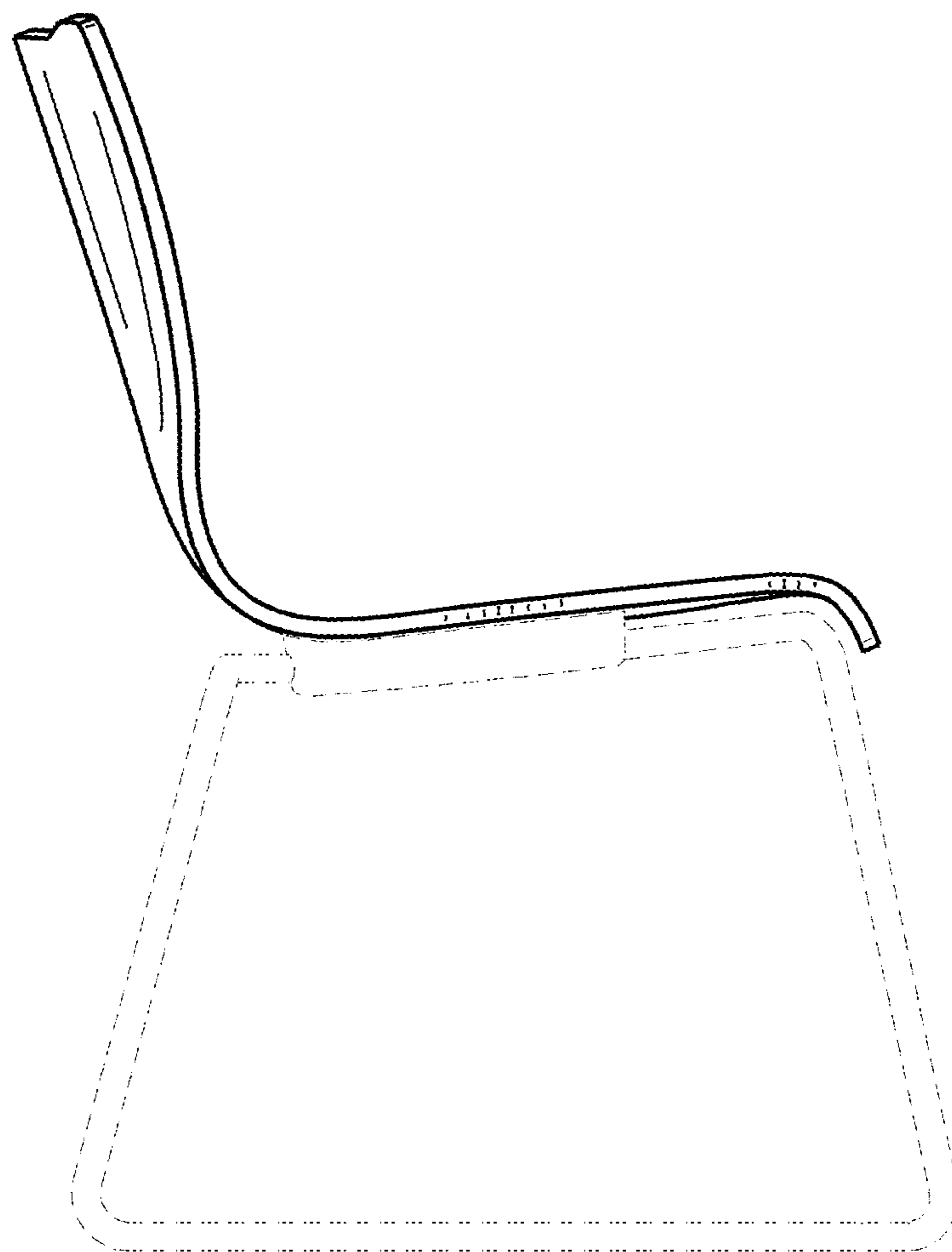


FIG. 2

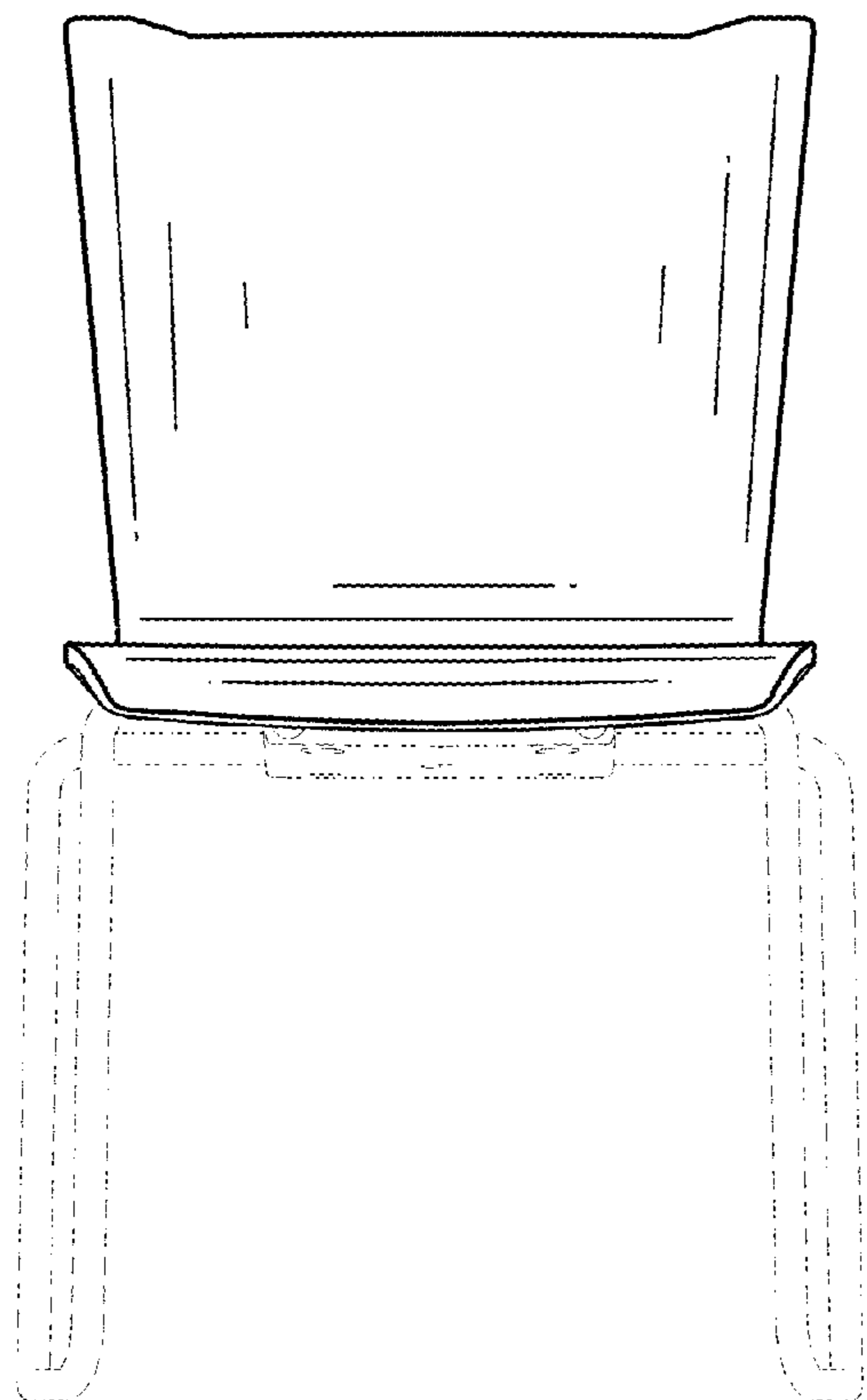


FIG. 3

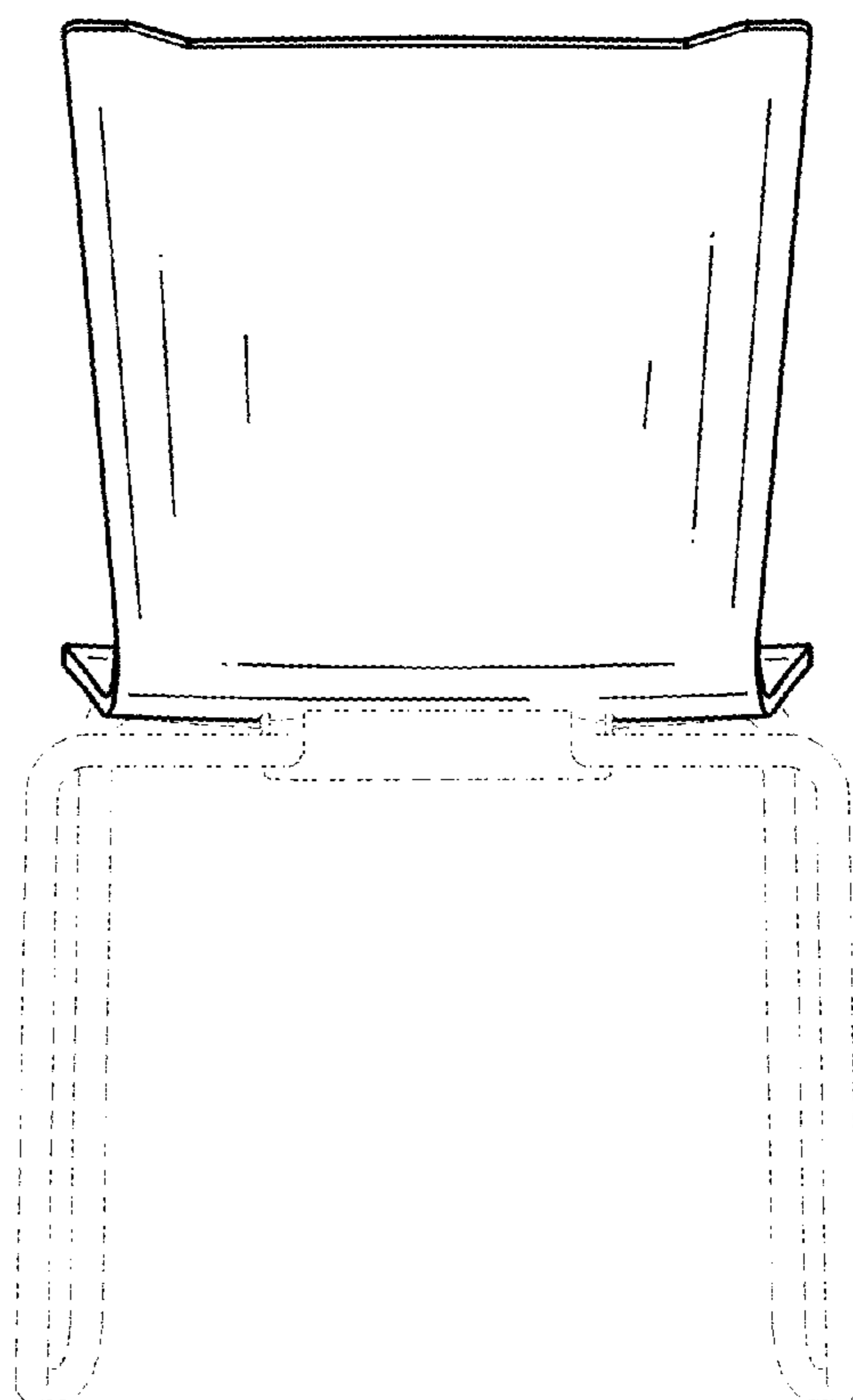


FIG. 4

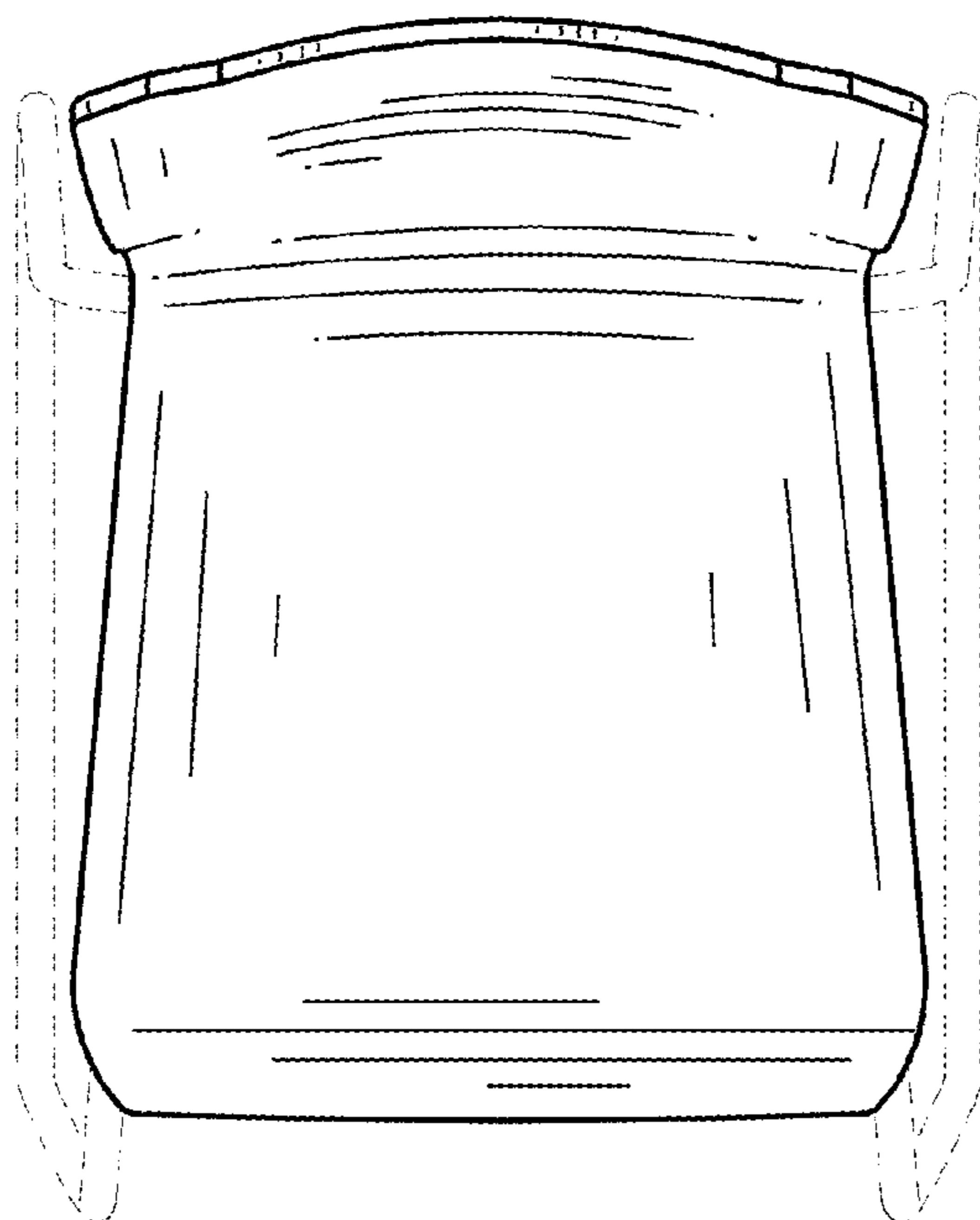


FIG. 5

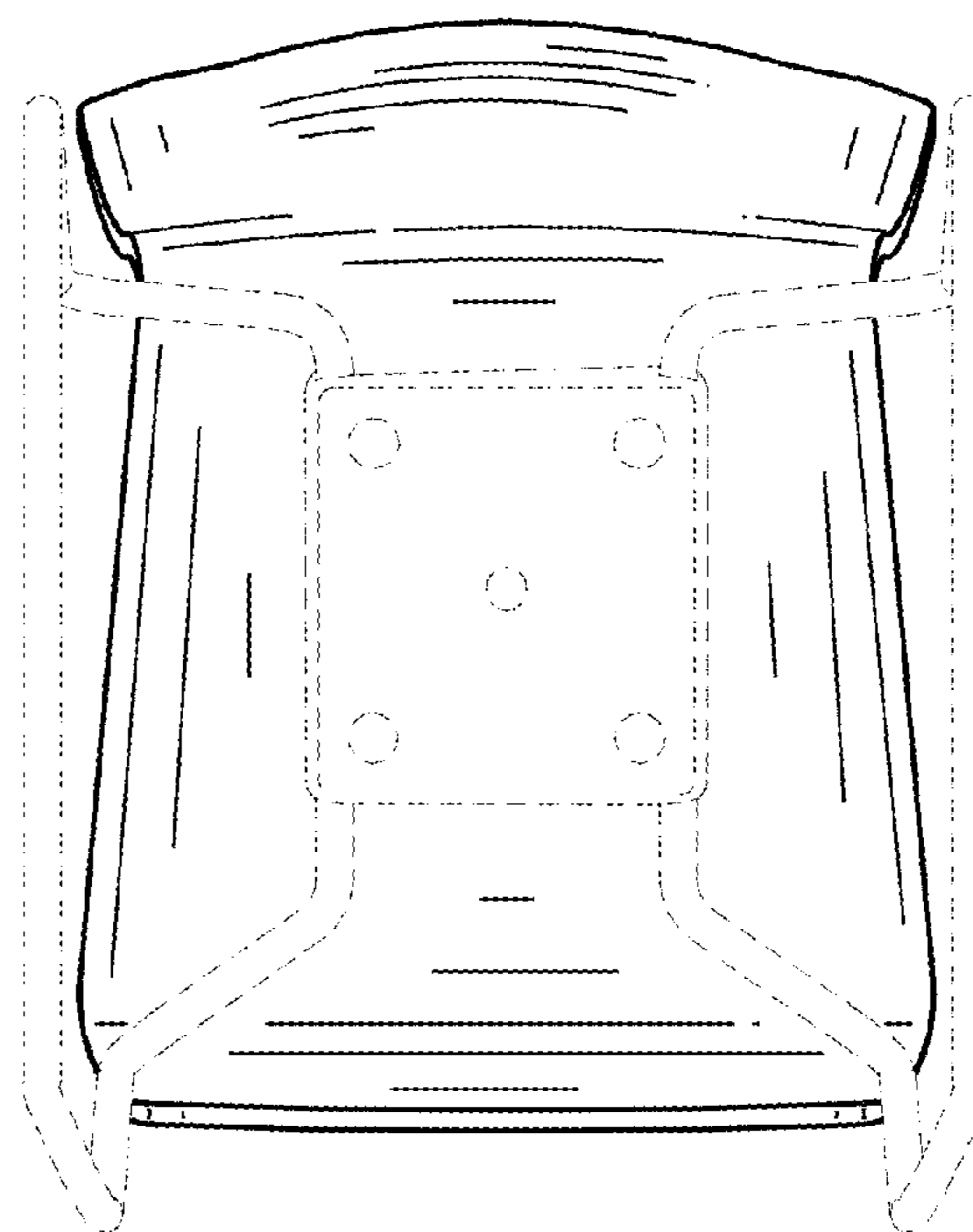


FIG. 6