



US00D731221S

(12) **United States Design Patent**
Hosoya

(10) **Patent No.:** **US D731,221 S**
(45) **Date of Patent:** **** Jun. 9, 2015**

(54) **TABLE**

- (71) Applicant: **OKAMURA CORPORATION**,
Yokohama-shi, Kanagawa (JP)
- (72) Inventor: **Rara Hosoya**, Yokohama (JP)
- (73) Assignee: **Okamura Corporation**, Kanagawa (JP)
- (**) Term: **14 Years**
- (21) Appl. No.: **29/483,899**
- (22) Filed: **Mar. 4, 2014**

(30) **Foreign Application Priority Data**

Sep. 6, 2013 (JP) 2013-020681

(51) **LOC (10) Cl.** **06-06**

(52) **U.S. Cl.**
USPC **D6/708.16; D6/709.21**

(58) **Field of Classification Search**
USPC D6/650, 656, 656.1, 656.11, 656.13,
D6/656.16, 656.17, 656.18, 709.2, 702.21,
D6/710, 708.16, 696, 696.2, 696.3
CPC A47B 91/00; A47B 13/10; A47B 17/00;
A47B 17/0003; A47B 21/00; A47B 21/02;
A47B 2097/006; A47B 2200/0027; A47B
2200/0029

See application file for complete search history.

(56) **References Cited**

U.S. PATENT DOCUMENTS

4,248,161	A	*	2/1981	Adair et al.	108/6
D473,078	S	*	4/2003	Haberman	D6/480
D474,356	S	*	5/2003	Bosman et al.	D6/487
D577,517	S	*	9/2008	Kumazawa	D6/499
D681,979	S	*	5/2013	Keen et al.	D6/691
D691,223	S	*	10/2013	Hao	D21/694

* cited by examiner

Primary Examiner — Janice Seeger

(74) *Attorney, Agent, or Firm* — Sughrue Mion, PLLC

(57) **CLAIM**

The ornamental design for a table, as shown and described.

DESCRIPTION

FIG. 1 is a perspective view from the front side of a table.
 FIG. 2 is a perspective view from the rear side thereof.
 FIG. 3 is a front elevation view thereof.
 FIG. 4 is a rear elevation view thereof.
 FIG. 5 is a right side elevation view thereof. A left side elevation view is a mirror image of the right side elevation view.
 FIG. 6 is a top plan view thereof.
 FIG. 7 is a bottom plan view thereof.
 FIG. 8 is a cross-sectional view taken along the line 8-8 in FIG. 3.
 FIG. 9 is a cross-sectional view taken along the line 9-9 in FIG. 3; and,
 FIG. 10 is a cross-sectional view taken along the line 10-10 in FIG. 6.
 The portions of the table shown in broken lines are for the purpose of showing environmental structure only and form no part of the claimed design.

1 Claim, 10 Drawing Sheets

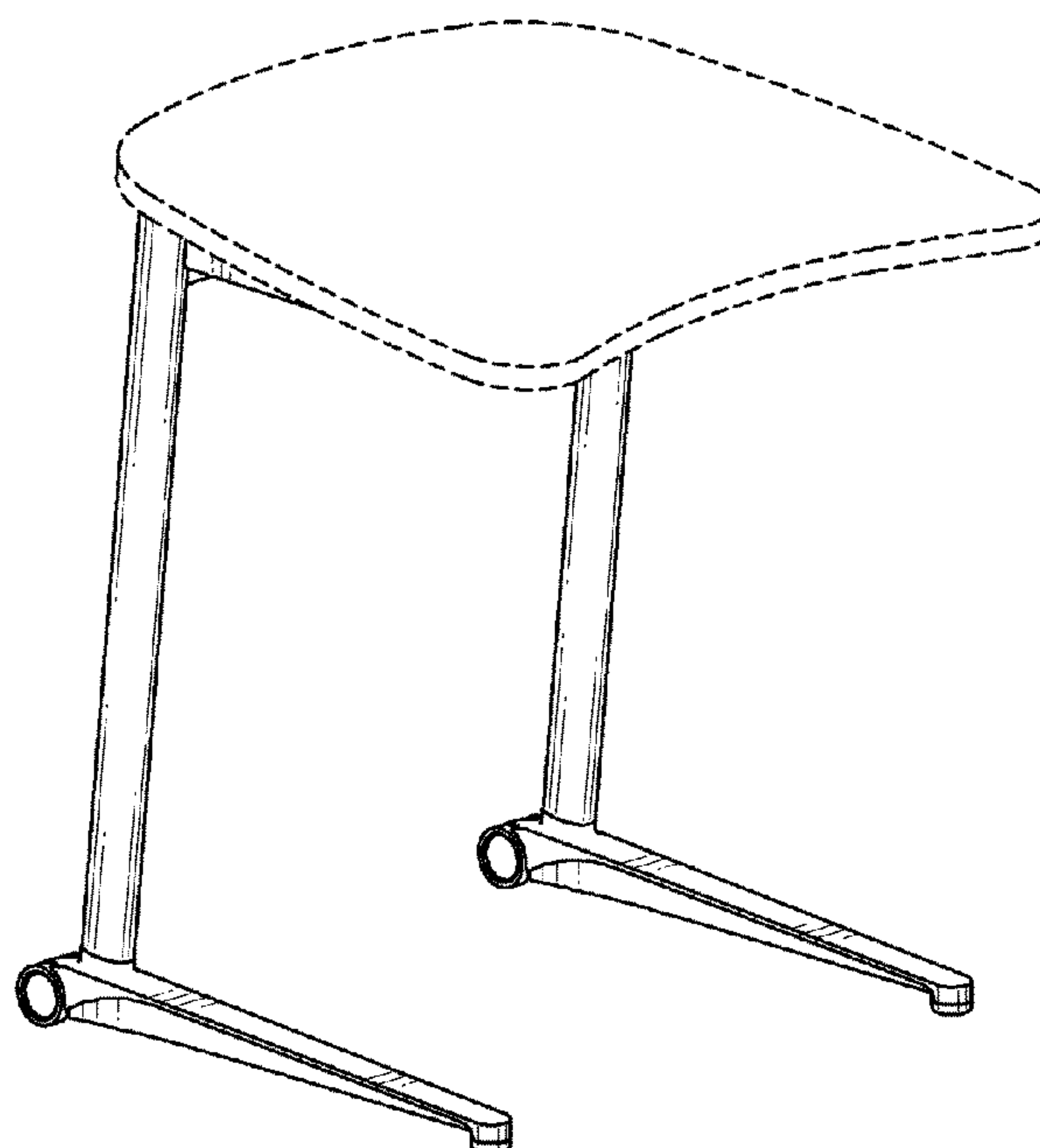


FIG. 1

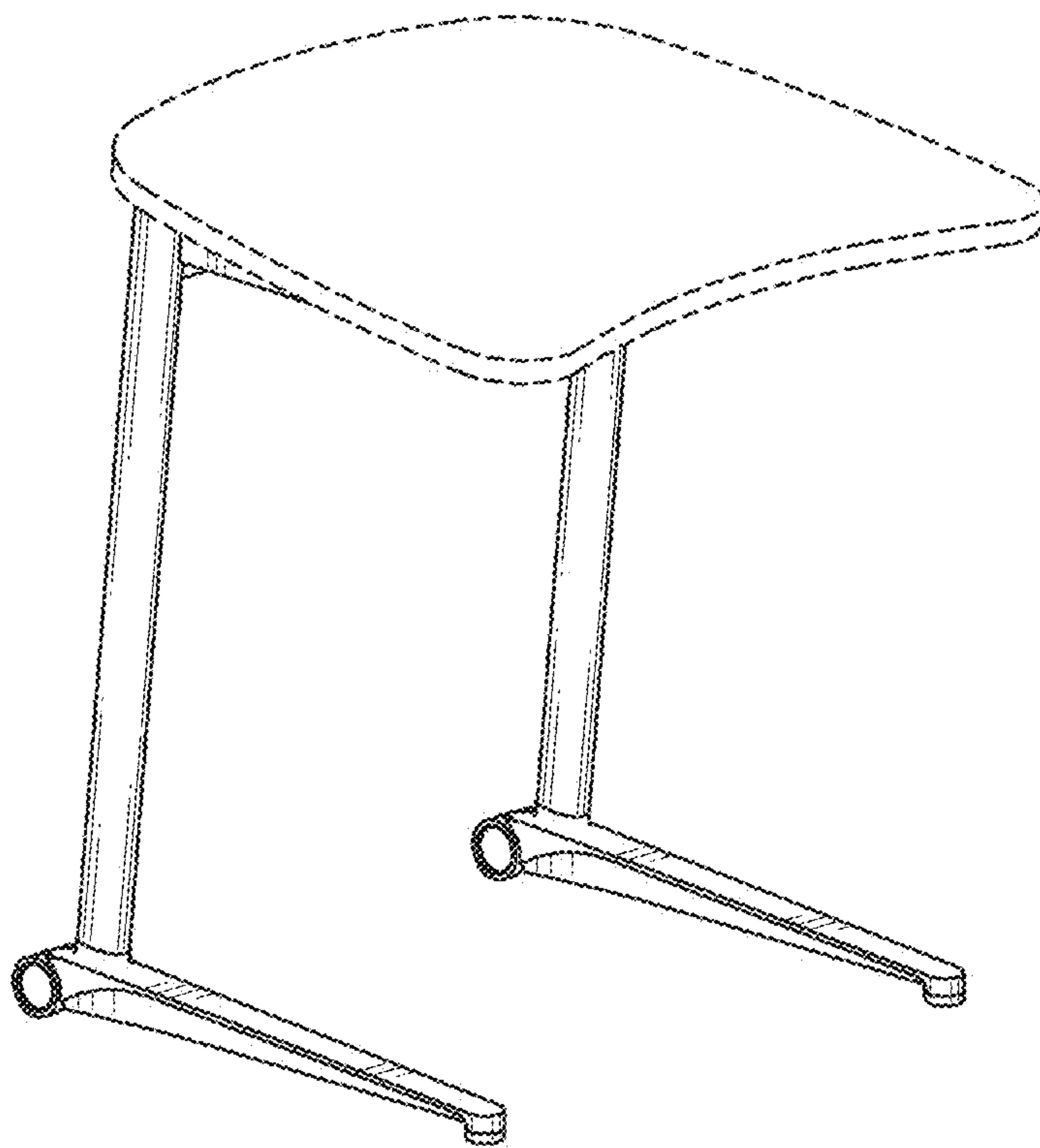


FIG. 2

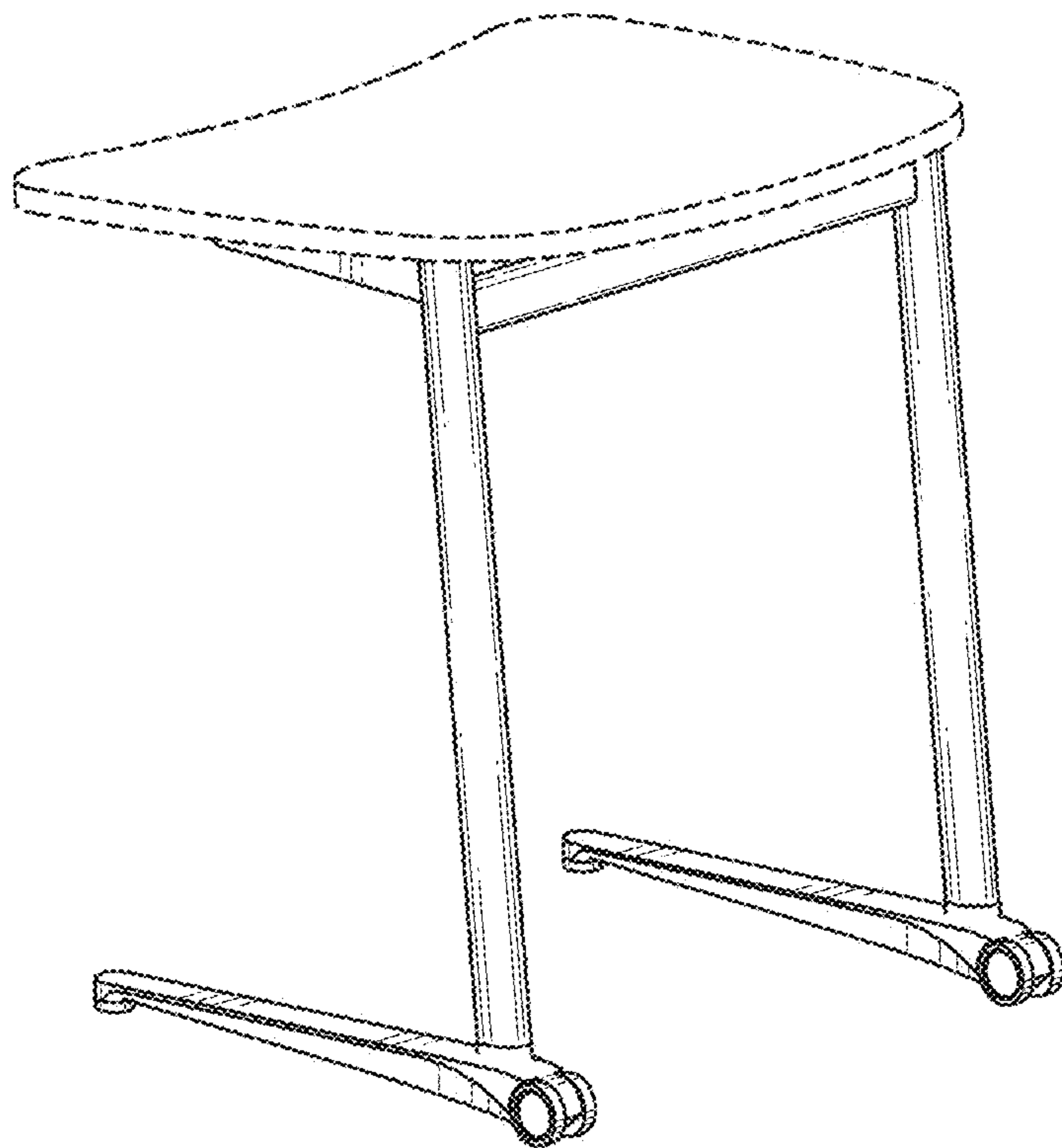


FIG. 3

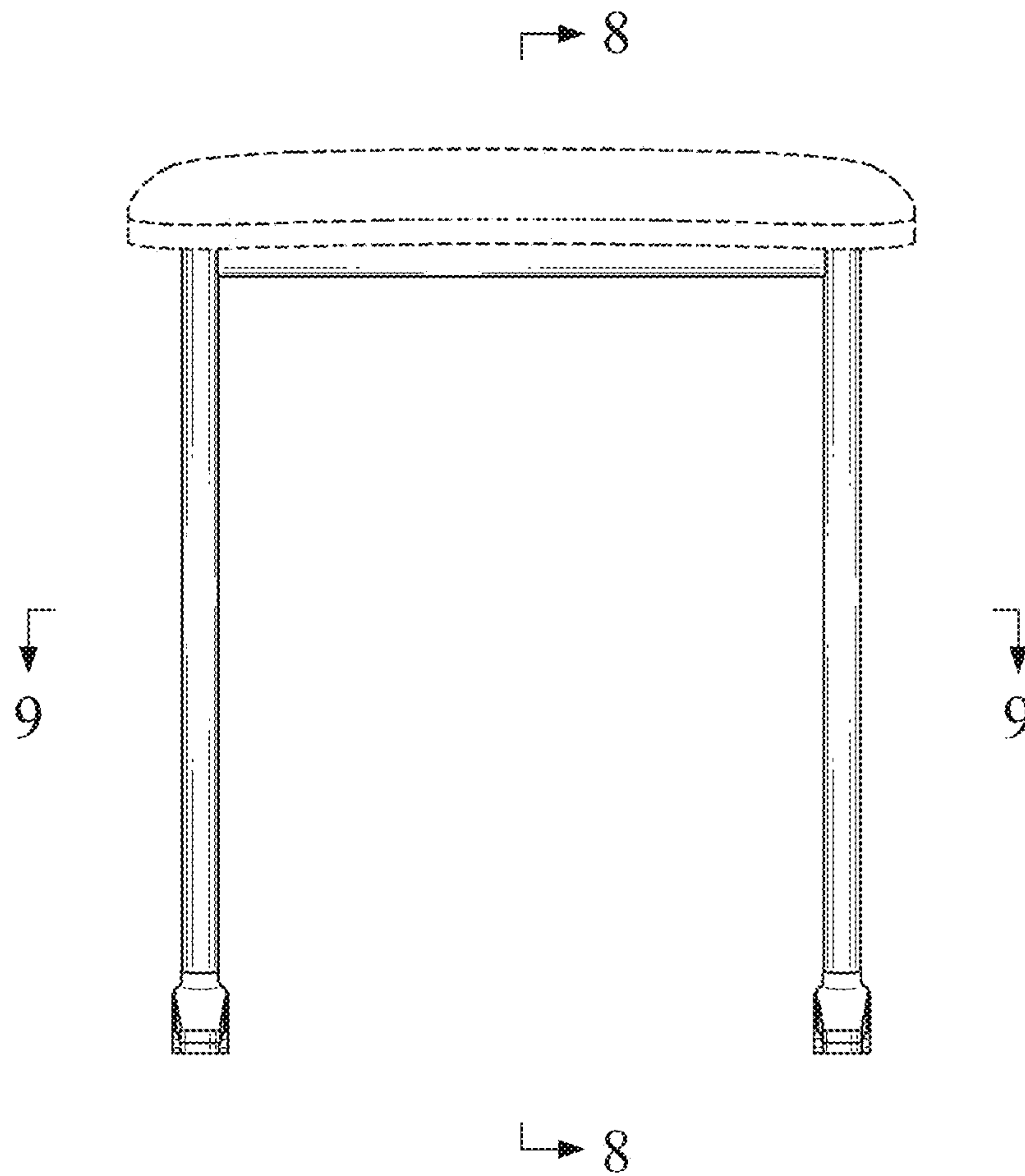


FIG. 4

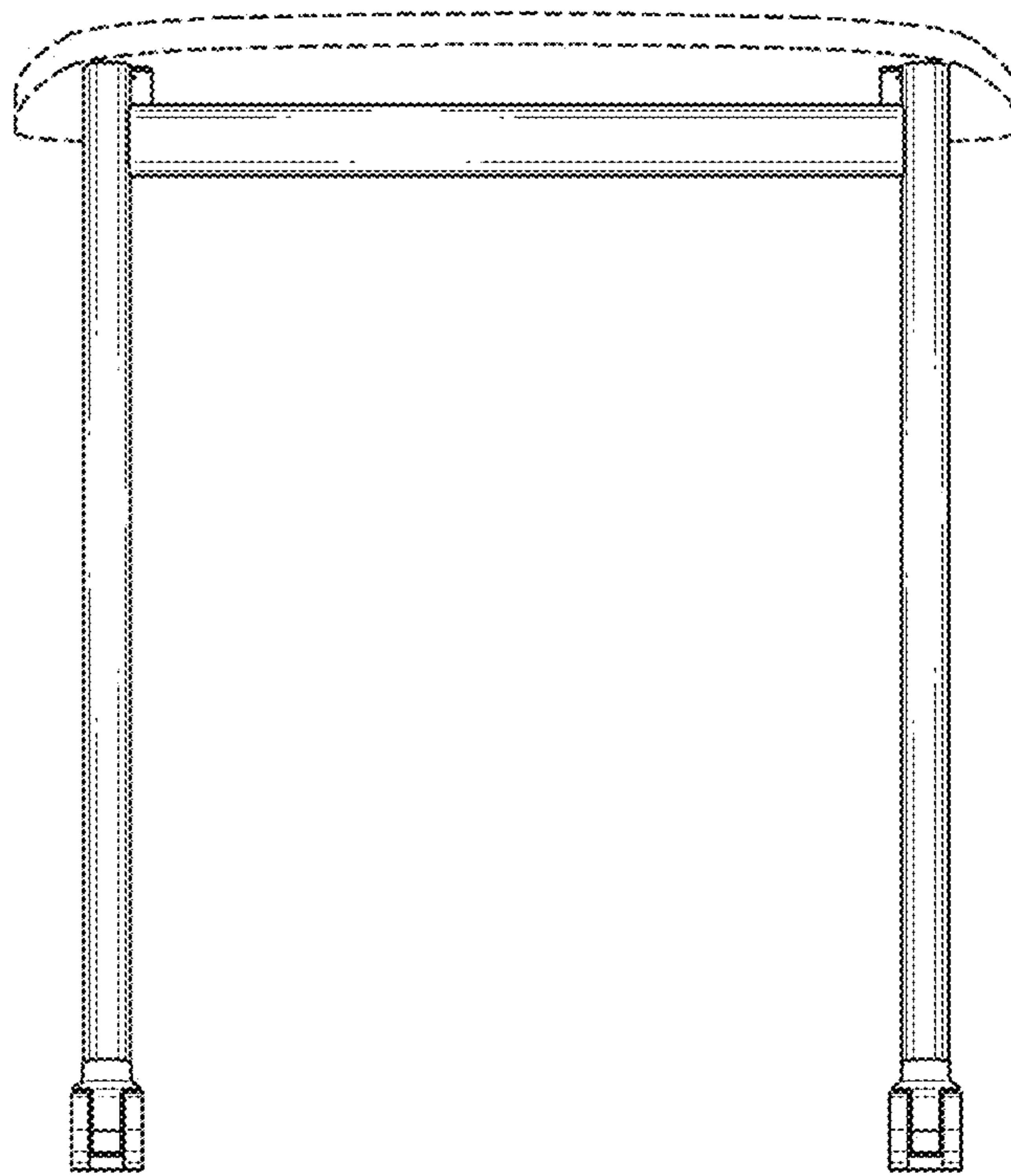


FIG. 5

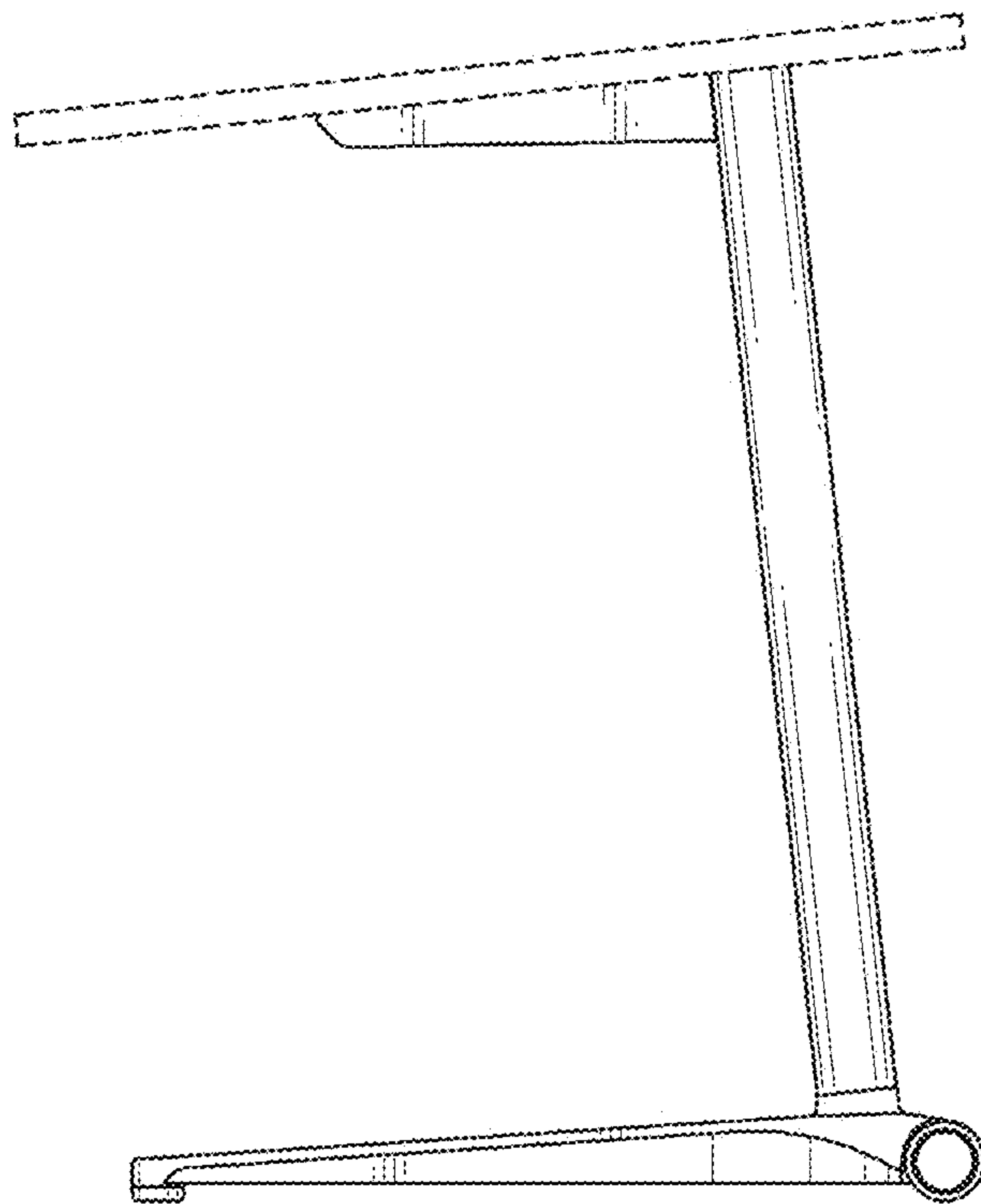


FIG. 6

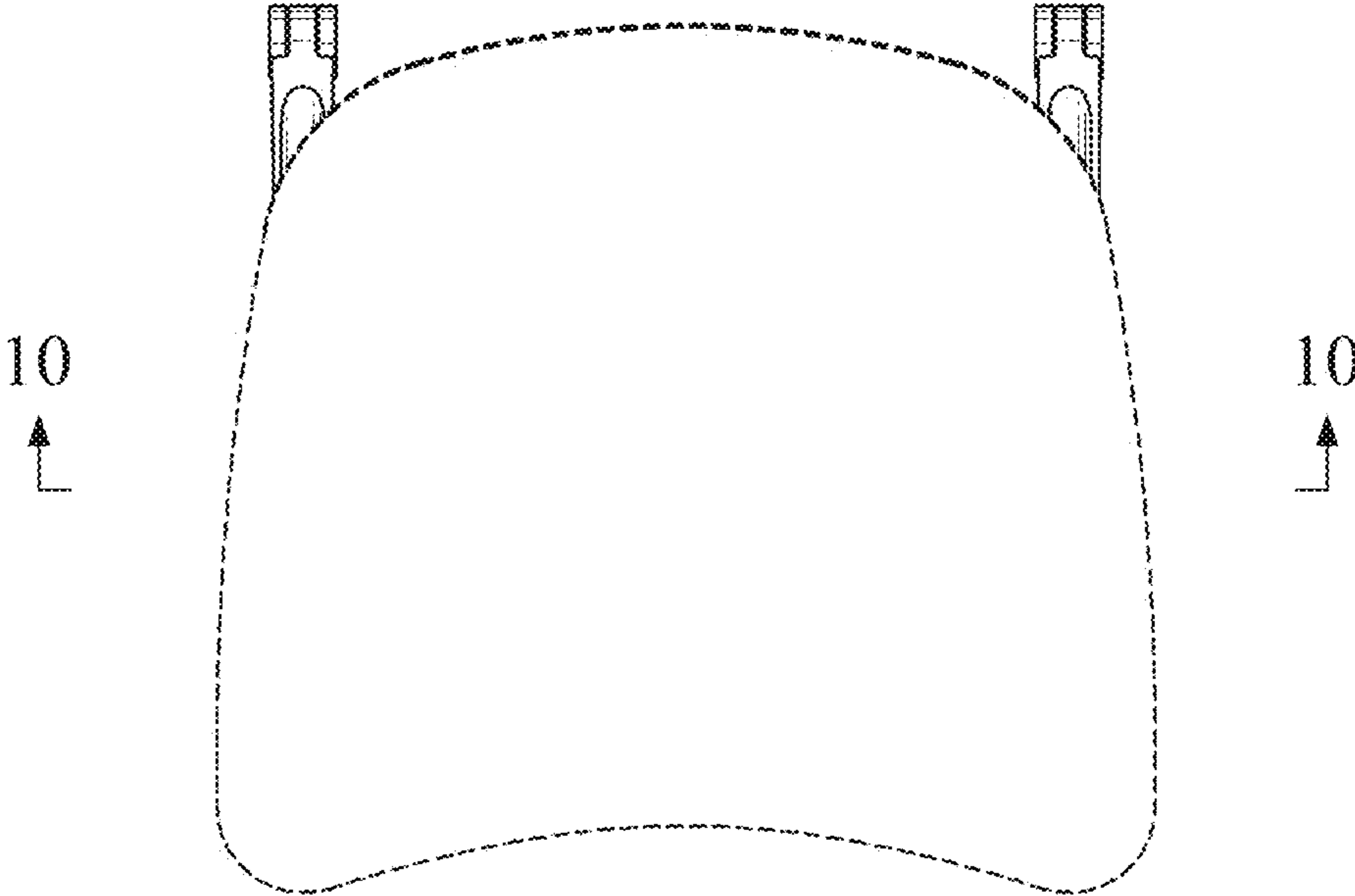


FIG. 7

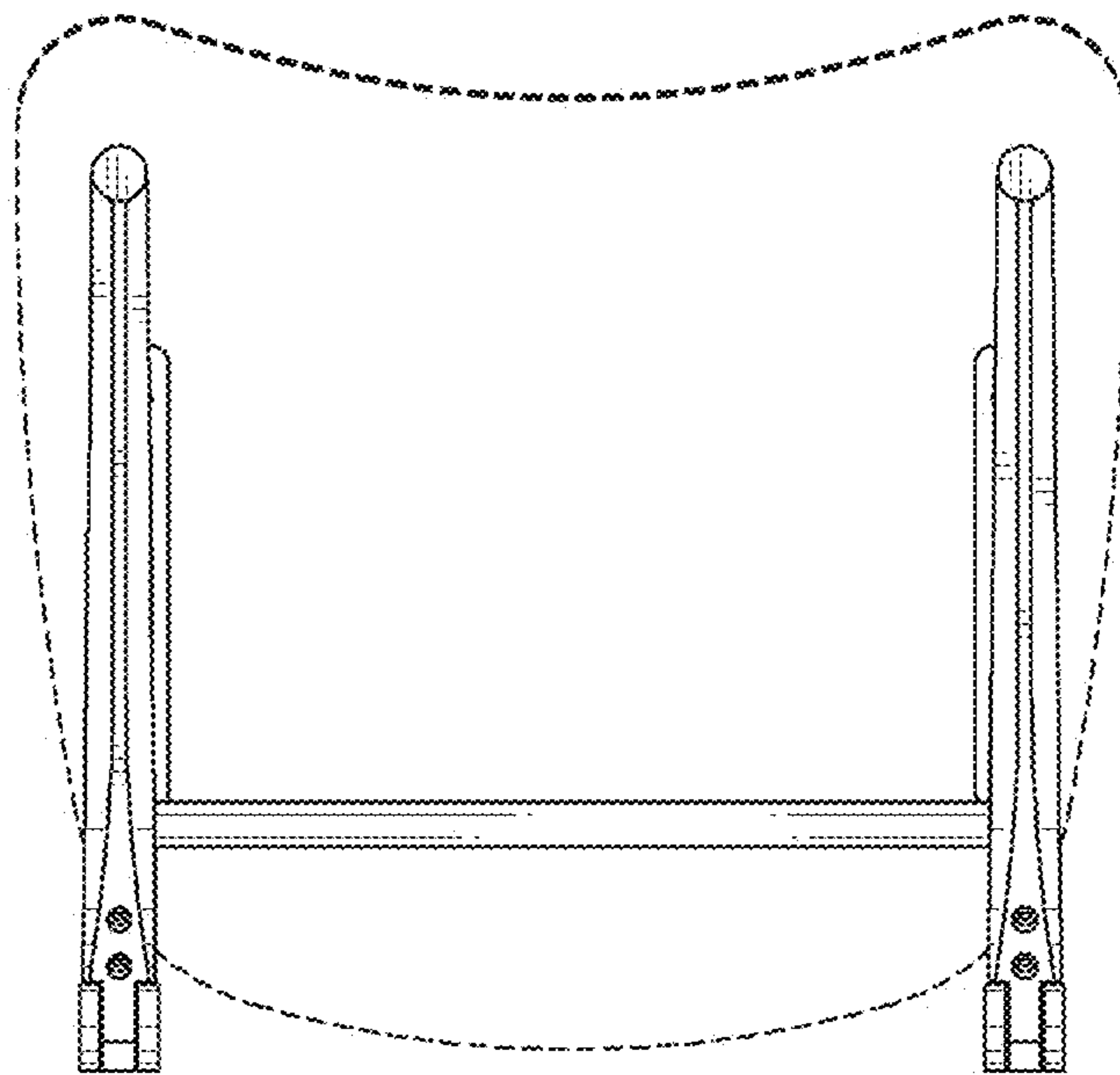


FIG. 8

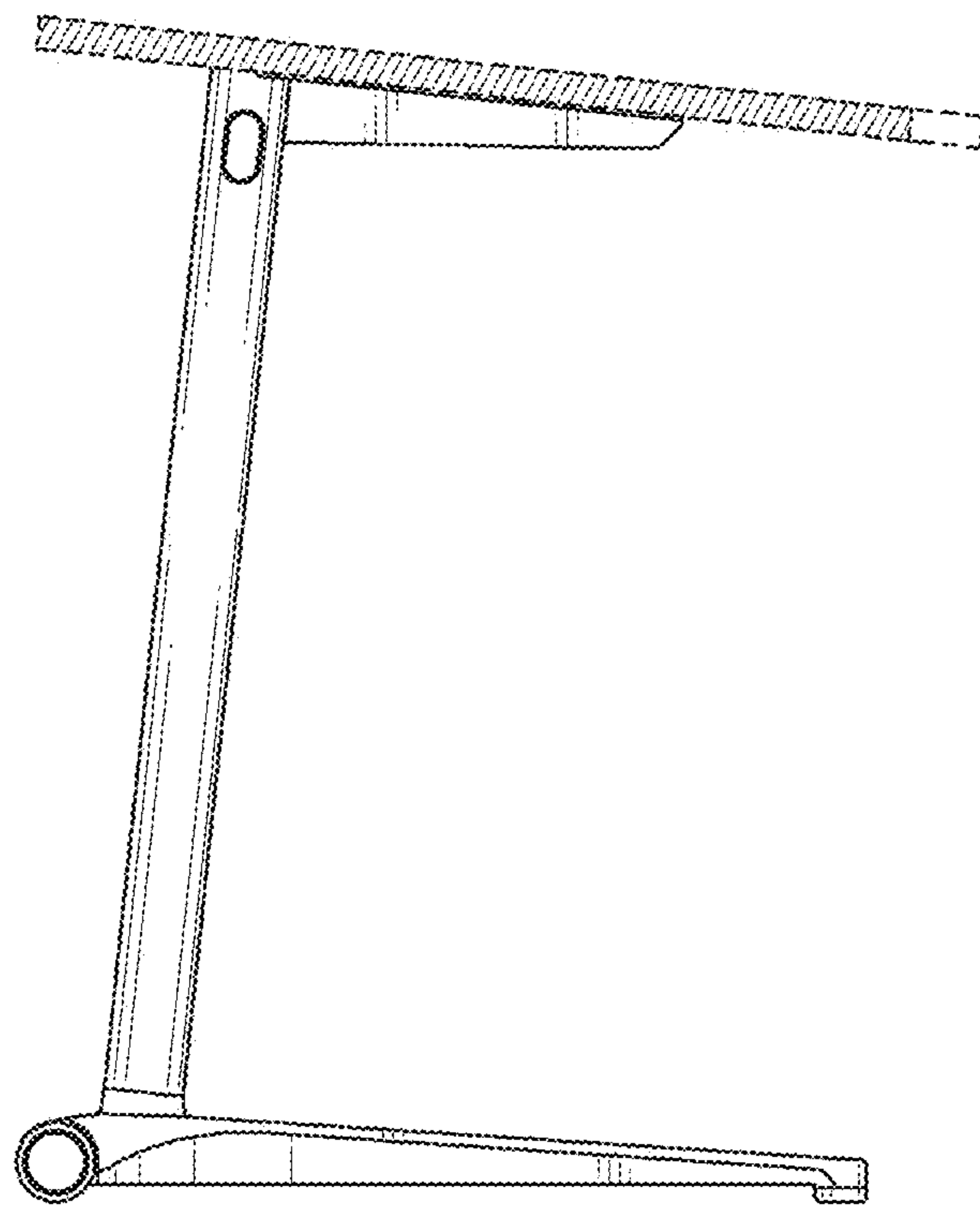


FIG. 9

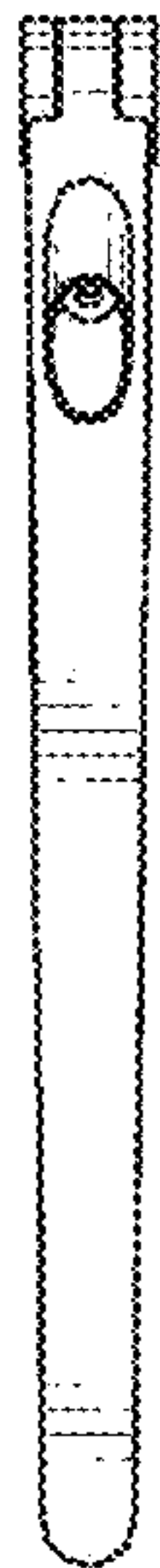


FIG. 10

