



US00D731220S

(12) **United States Design Patent**
Fletcher

(10) **Patent No.:** **US D731,220 S**
(45) **Date of Patent:** **** Jun. 9, 2015**

(54) **DESK**

(71) Applicant: **Virco Mfg. Corporation**, Torrance, CA
(US)

(72) Inventor: **Scott Fletcher**, Redondo Beach, CA
(US)

(73) Assignee: **VIRCO MFG. CORPORATION**,
Torrance, CA (US)

(**) Term: **14 Years**

(21) Appl. No.: **29/477,144**

(22) Filed: **Dec. 19, 2013**

(51) **LOC (10) Cl.** **06-01**

(52) **U.S. Cl.**
USPC **D6/708.16**; D6/709.2; D6/338

(58) **Field of Classification Search**
USPC D6/333, 335, 336, 338, 340, 344, 347,
D6/349–355, 358, 360, 363–365, 381, 596,
D6/601, 685, 687, 688.15, 688.27, 690,
D6/691, 692.3, 708.16, 708.21, 708.22,
D6/709, 709.2, 709.22, 711, 716–716.7,
D6/717
CPC A47C 1/14; A47C 3/16–3/20; A47C 4/00;
A47C 4/28; A47C 5/02; A47C 5/04; A47C
5/043; A47C 7/00–7/006; A47C 7/02; A47C
7/68; A47C 9/00; A47C 9/02; A47C 9/002;
A47C 9/007; A47C 9/025; A47C 9/10;
A47C 11/00; A47C 12/00; A47C 13/00;
A47C 16/02; A47C 11/002; A47B 39/00;
A47B 41/00

See application file for complete search history.

(56) **References Cited**

U.S. PATENT DOCUMENTS

1,420,404 A 6/1922 Beaver
1,452,343 A 4/1923 Jones
D163,170 S 5/1951 Eibetz

(Continued)

OTHER PUBLICATIONS

Canadian Office Action dated Jan. 21, 2013 for CA Application No.
146903, titled “Chair with Curved Legs” (4 pages).

(Continued)

Primary Examiner — Susan Bennett Hattan

Assistant Examiner — Vy Koenig

(74) *Attorney, Agent, or Firm* — Denton L. Anderson; Leech
Tishman Fuscaldo & Lampl; Robert M. Hupe

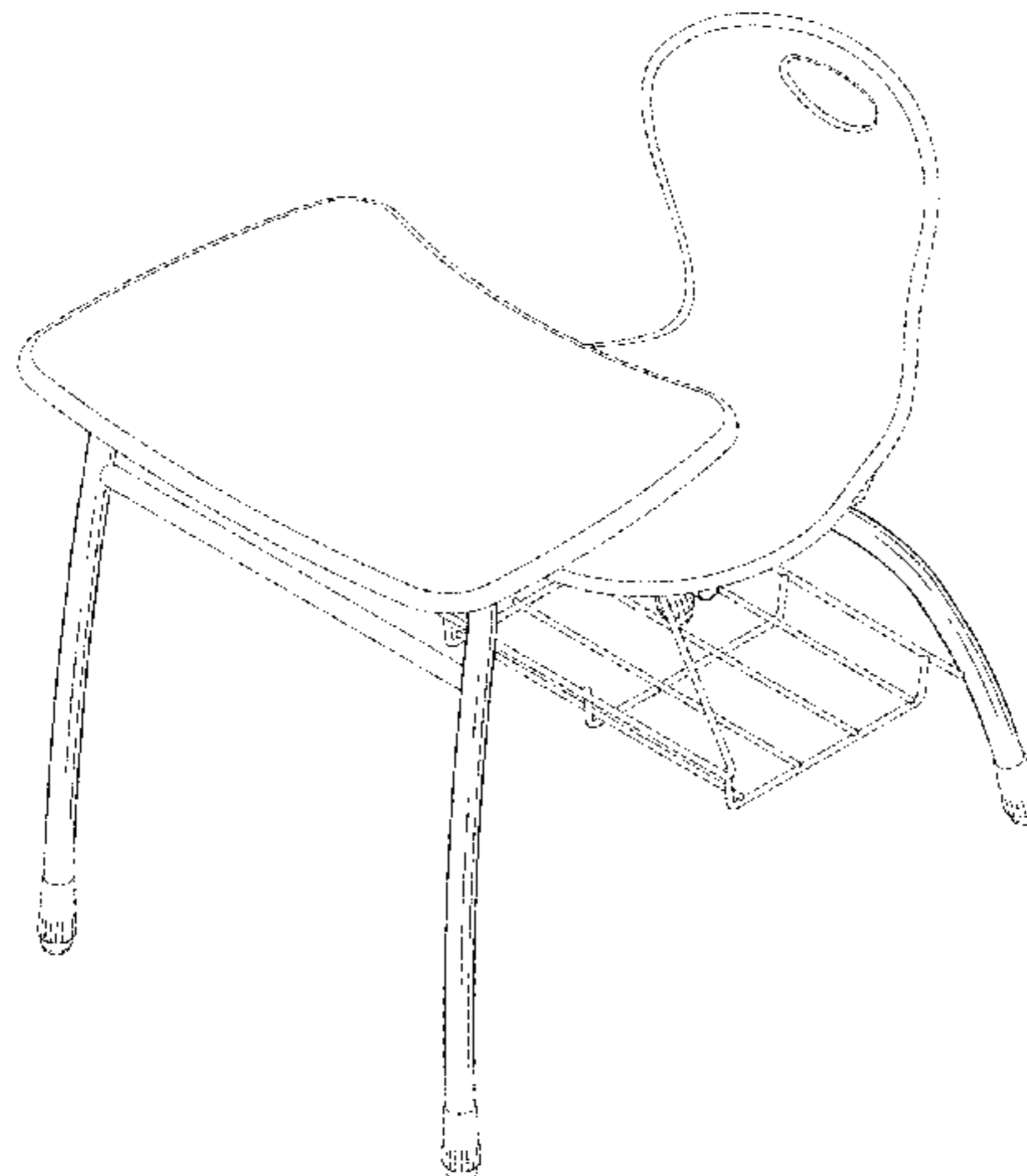
(57) **CLAIM**

The ornamental design for a desk, as shown and described.

DESCRIPTION

FIG. 1 is a perspective view showing our new design, the broken line depict environmental subject matter only and form no part of the claimed design;
FIG. 2 is a front view of the desk illustrated in FIG. 1, the broken lines depict environmental subject matter only and form no part of the claimed design;
FIG. 3 is a rear view of the desk illustrated in FIG. 1, the broken lines depict environmental subject matter only and form no part of the claimed design;
FIG. 4 is a first side view of the desk illustrated in FIG. 1, the broken lines depict environmental subject matter only and form no part of the claimed design;
FIG. 5 is a second side view of the desk illustrated in FIG. 1, the broken lines depict environmental subject matter only and form no part of the claimed design;
FIG. 6 is a top view of the desk illustrated in FIG. 1, the broken lines depict environmental subject matter only and form no part of the claimed design;
FIG. 7 is a bottom view of the desk illustrated in FIG. 1, the broken lines depict environmental subject matter only and form no part of the claimed design; and,
FIG. 8 is a second perspective view of the desk illustrated in FIG. 1, the broken lines depict environmental subject matter only and form no part of the claimed design.

1 Claim, 5 Drawing Sheets



(56)

References Cited

U.S. PATENT DOCUMENTS

| | | | | | | |
|-----------|---|---|---------|------------------|-------|------------|
| D164,099 | S | * | 7/1951 | Choate | | D6/336 |
| D169,932 | S | | 6/1953 | Chapman et al. | | |
| D170,005 | S | | 7/1953 | Chapman et al. | | |
| 2,722,965 | A | | 11/1955 | Chapman et al. | | |
| 2,732,007 | A | | 1/1956 | MacWhirter | | |
| D181,703 | S | | 12/1957 | Bargen et al. | | |
| 2,921,623 | A | * | 1/1960 | Humphries et al. | | 297/344.21 |
| 2,970,635 | A | | 2/1961 | Fields | | |
| 3,020,086 | A | | 2/1962 | Barber | | |
| D198,628 | S | | 7/1964 | Chapman et al. | | |
| D206,721 | S | * | 1/1967 | Durfee et al. | | D6/338 |
| D207,850 | S | | 6/1967 | Durfee et al. | | |
| 4,002,369 | A | | 1/1977 | Jennings | | |
| D360,083 | S | * | 7/1995 | Lohmeyer | | D6/375 |
| D470,320 | S | | 2/2003 | Schloss | | |
| D471,730 | S | | 3/2003 | Schloss | | |
| D475,207 | S | * | 6/2003 | Bosman et al. | | D6/338 |
| D477,921 | S | * | 8/2003 | Bosman et al. | | D6/338 |
| D505,022 | S | | 5/2005 | Mills | | |
| D513,892 | S | * | 1/2006 | Glass et al. | | D6/338 |
| D514,829 | S | * | 2/2006 | Glass et al. | | D6/336 |
| D521,282 | S | * | 5/2006 | Glass et al. | | D6/500 |

| | | | | | | |
|-----------|----|---|---------|--------------|-------|-----------|
| D521,751 | S | * | 5/2006 | Glass et al. | | D6/338 |
| D522,265 | S | | 6/2006 | Glass | | |
| D522,777 | S | * | 6/2006 | Glass et al. | | D6/500 |
| D523,265 | S | * | 6/2006 | Glass et al. | | D6/500 |
| 7,059,670 | B2 | * | 6/2006 | Mills et al. | | 297/174 R |
| D542,039 | S | | 5/2007 | Glass | | |
| D589,725 | S | | 4/2009 | Adams et al. | | |
| D609,506 | S | | 2/2010 | Adams et al. | | |
| D649,368 | S | * | 11/2011 | Benden | | D6/338 |
| D649,369 | S | * | 11/2011 | Benden | | D6/338 |

OTHER PUBLICATIONS

Canadian Office Action dated Feb. 11, 2014 for CA Application No. 146903, titled "Chair with Curved Legs" (5 pages).
 Canadian Office Action dated Jan. 21, 2013 for CA Application No. 146900, titled "Chair with Curved Legs and Back Support" (2 pages).
 Canadian Office Action dated Jan. 21, 2013 for CA Application No. 146901, titled "Chair with Curved Legs" (4 pages).
 Canadian Office Action dated Feb. 10, 2014 for CA Application No. 146901, titled "Chair with Curved Legs" (5 pages).
 Canadian Office Action dated Jan. 21, 2013 for CA Application No. 146902, titled "Chair with Curved Legs and Back Support" (2 pages).

* cited by examiner



FIG. 1

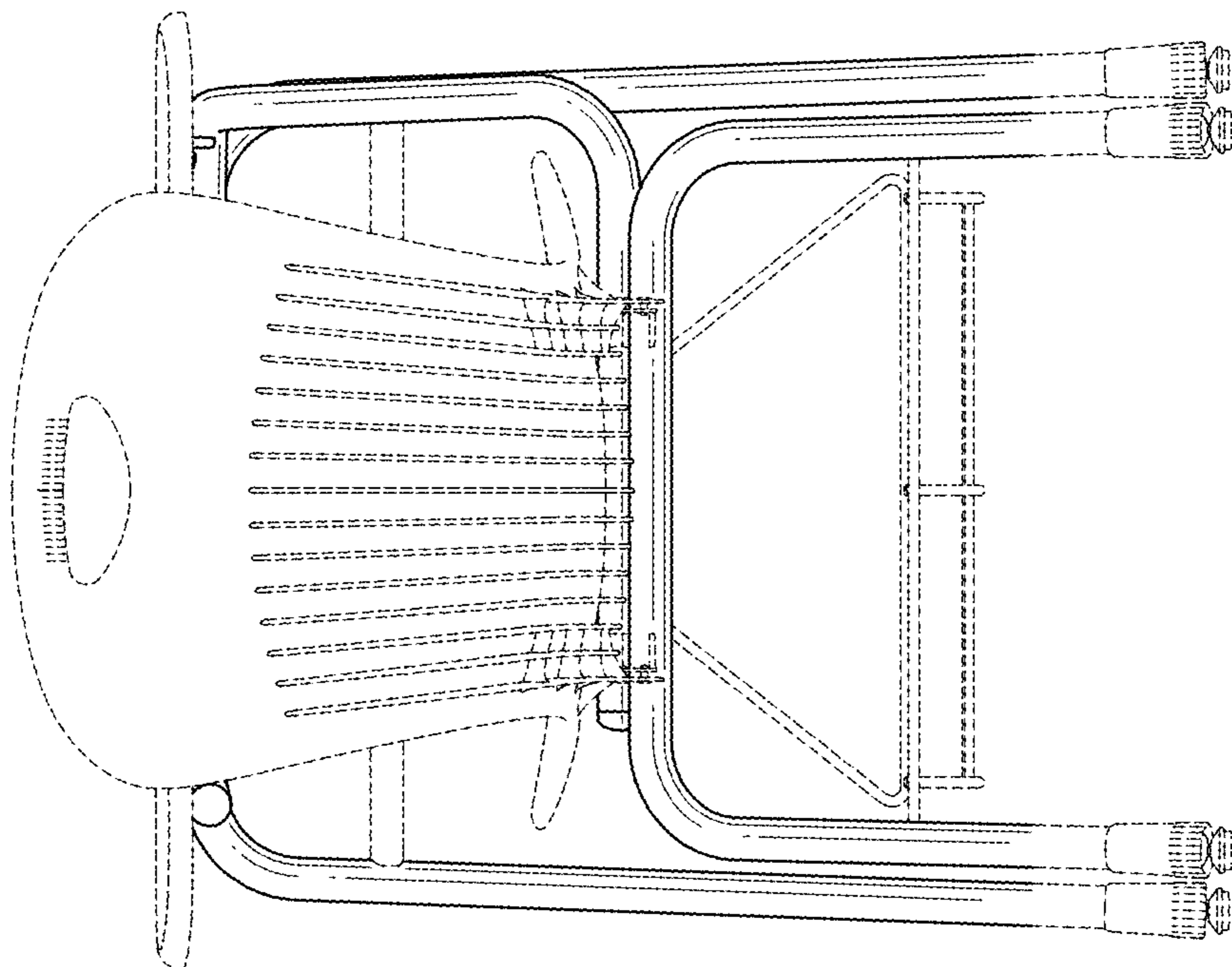


Fig. 3

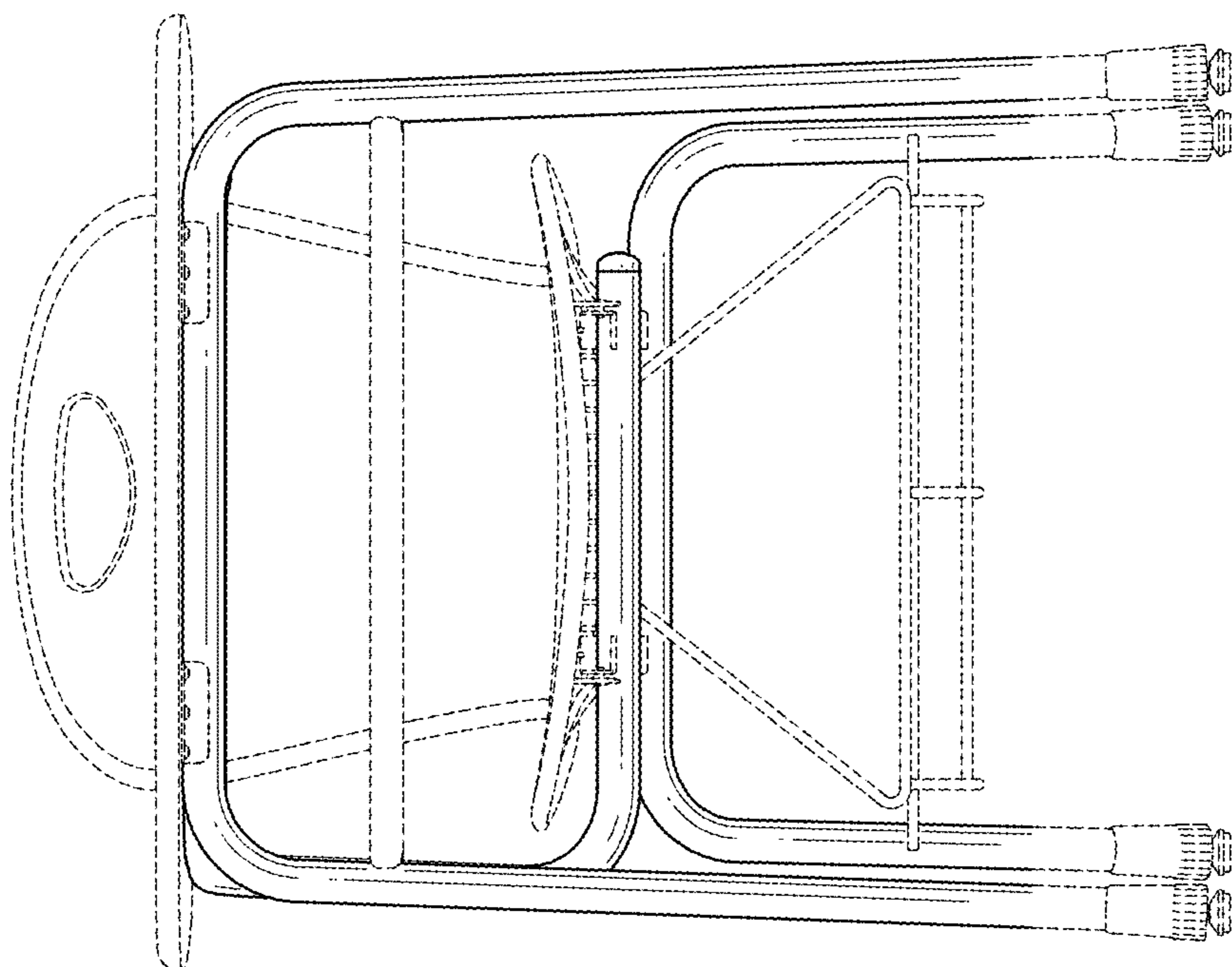
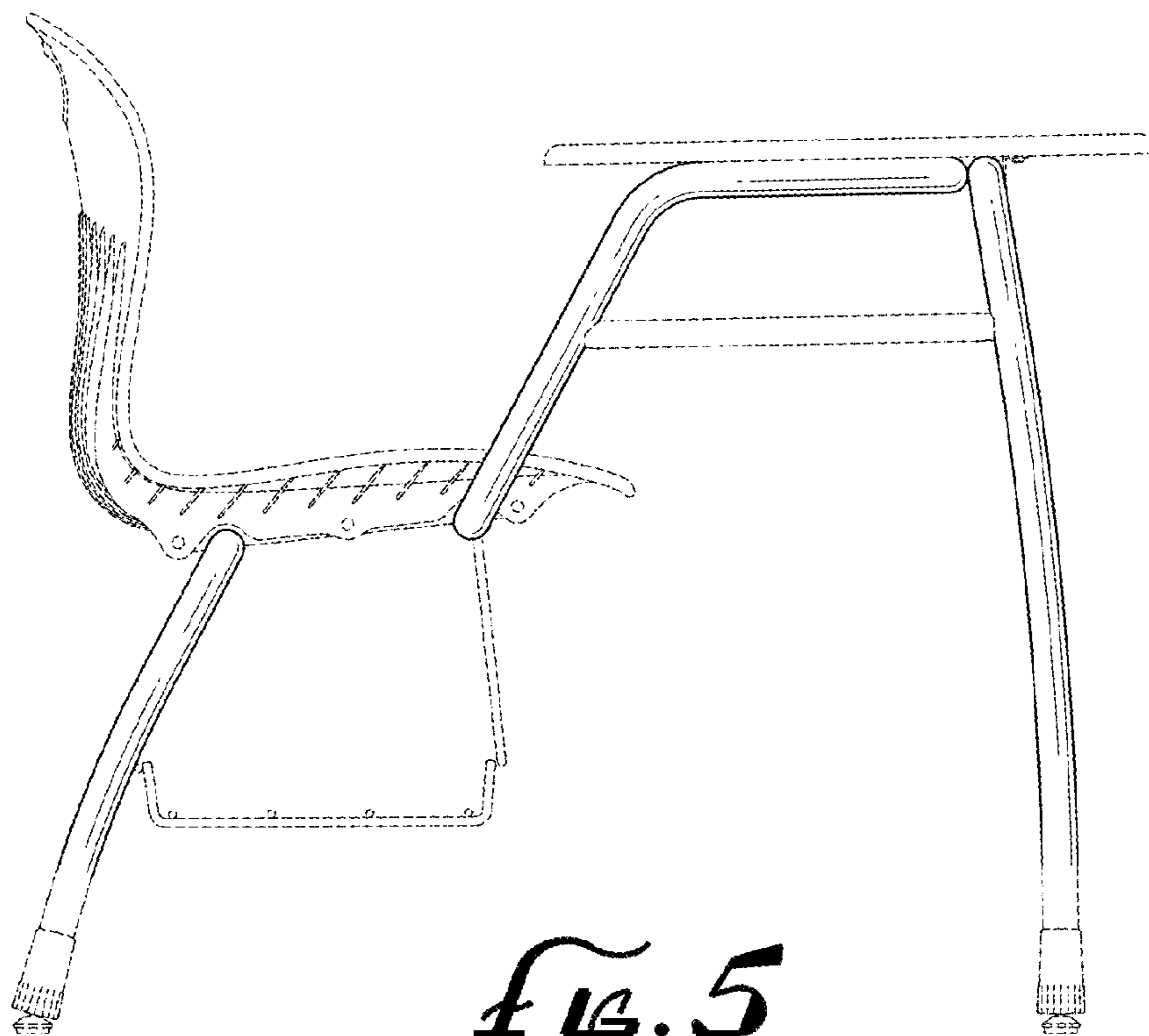
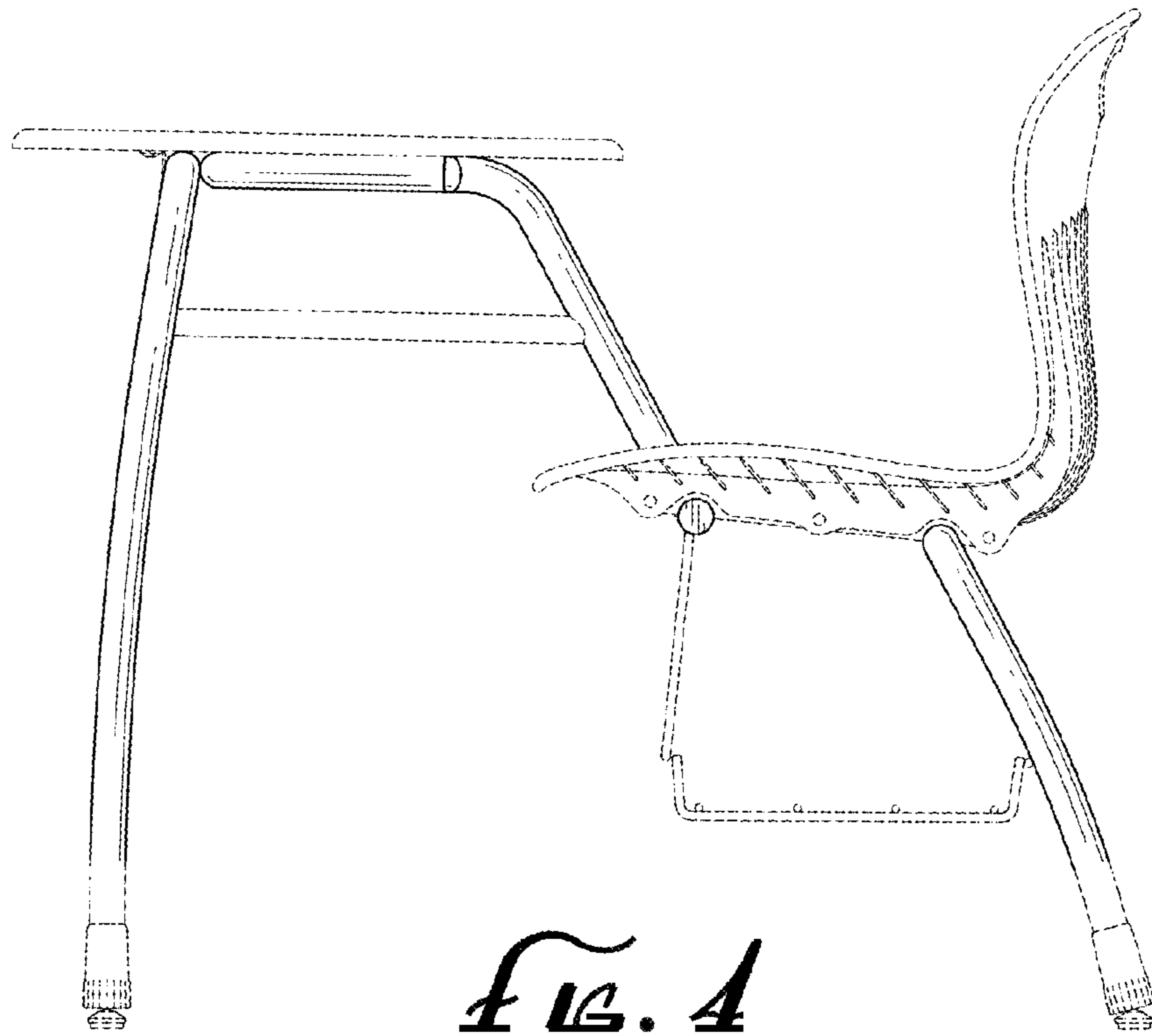


Fig. 2



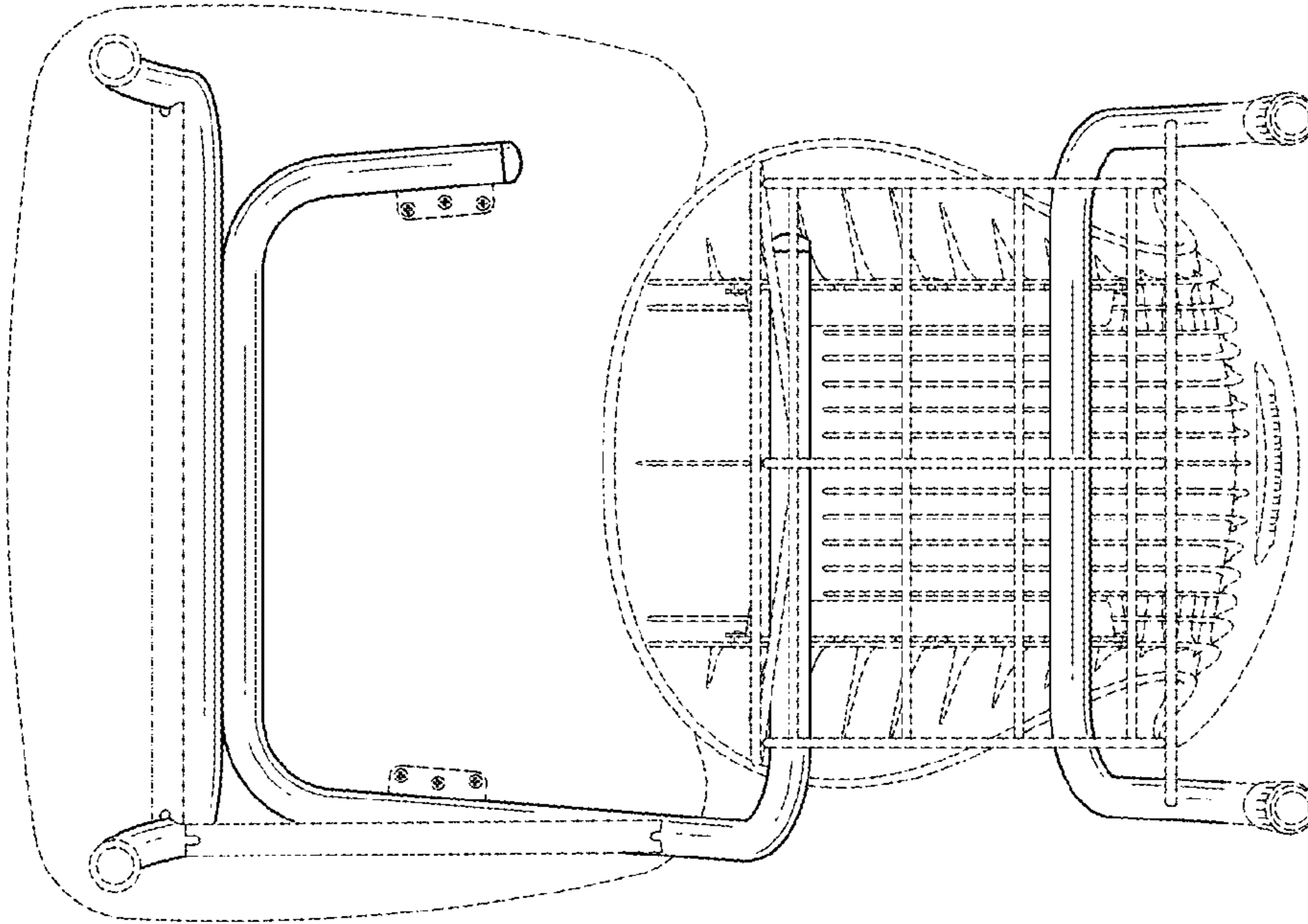


Fig. 7

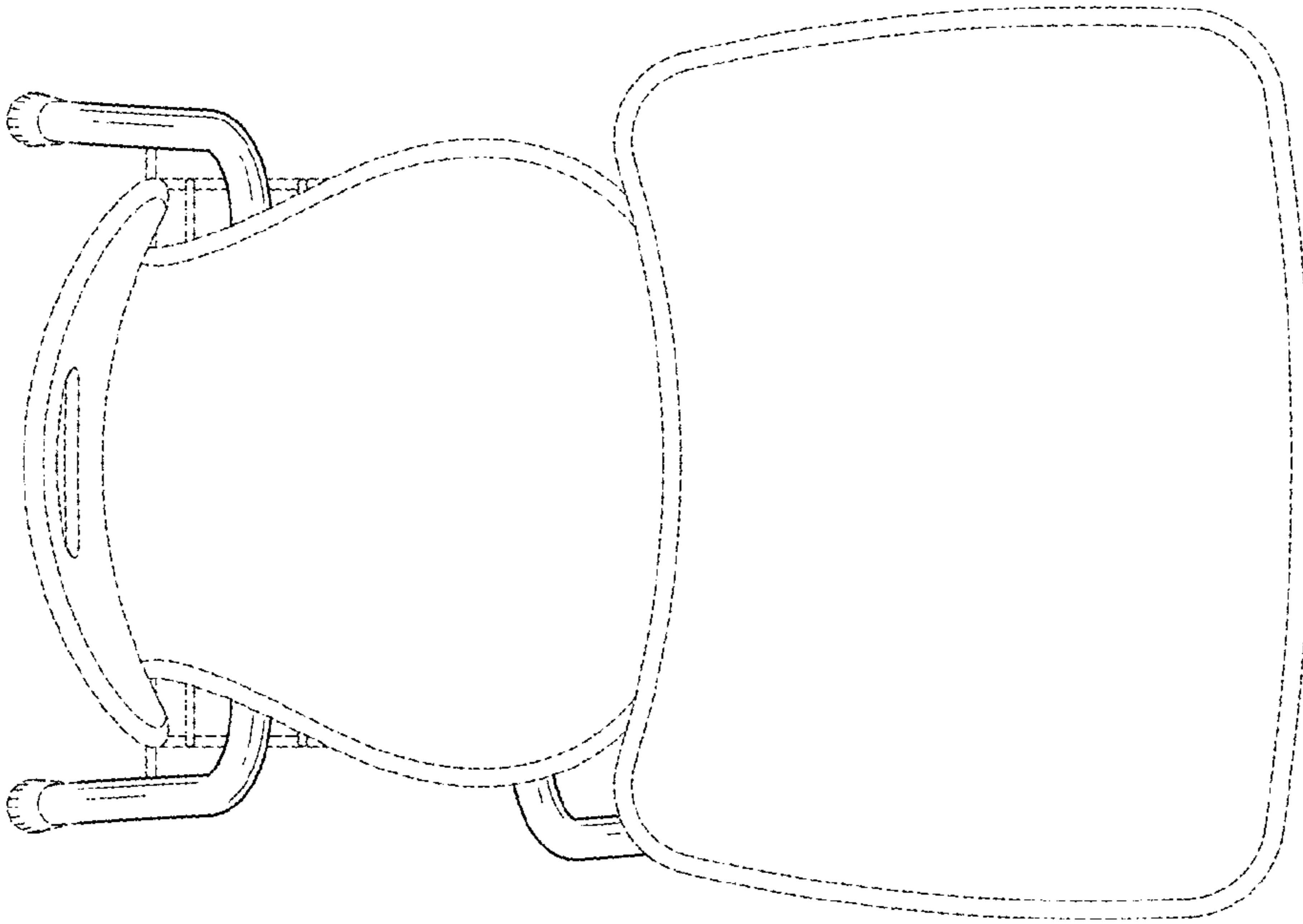


Fig. 8

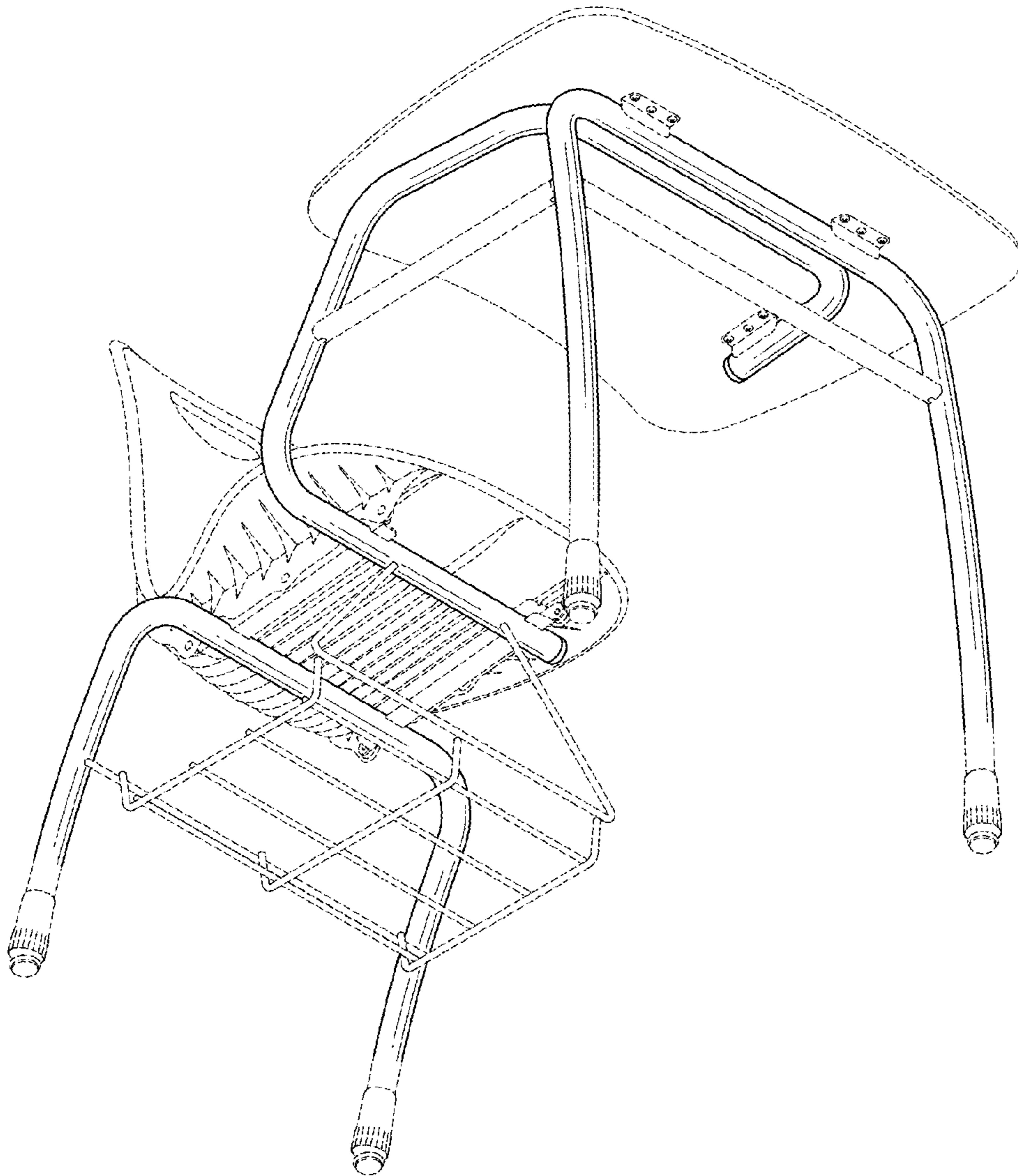


Fig. 8