



US00D731219S

(12) **United States Design Patent**  
**Spoelhof et al.**

(10) **Patent No.:** **US D731,219 S**  
(45) **Date of Patent:** **\*\* Jun. 9, 2015**

- (54) **TABLET ARM**
- (71) Applicant: **Steelcase Inc.**, Grand Rapids, MI (US)
- (72) Inventors: **Mark Spoelhof**, Grand Rapids, MI (US);  
**Joseph Willette**, Grand Haven, MI (US);  
**Travis Spoor**, Ada, MI (US)
- (73) Assignee: **Steelcase Inc.**, Grand Rapids, MI (US)
- (\*\*) Term: **14 Years**
- (21) Appl. No.: **29/485,400**
- (22) Filed: **Mar. 19, 2014**
- (51) **LOC (10) Cl.** ..... **06-01**
- (52) **U.S. Cl.**  
USPC ..... **D6/707.19**; D6/341
- (58) **Field of Classification Search**  
USPC ..... D6/330, 336-341, 346, 349-355, 357,  
D6/362, 364-373, 376, 377, 381, 555, 645,  
D6/656, 658, 665, 674, 675.5, 676, 682.4,  
D6/685-692, 694, 694.2, 704, 705, 707,  
D6/707.8, 707.19, 708, 708.2, 708.23,  
D6/716.1-716.6, 717, 717.2  
CPC ..... A47C 3/18-3/20; A47C 5/02; A47C 9/00;  
A47C 11/00; A47C 13/00; A47C 9/06;  
A47C 7/16  
See application file for complete search history.

- 1,648,717 A 11/1927 Blitz et al.
- 1,726,531 A 9/1929 Andel
- 3,026,159 A 3/1962 Miller et al.
- 3,544,163 A 12/1970 Krein
- 3,547,488 A 12/1970 Barnes
- 3,598,442 A 8/1971 Miller
- 3,857,605 A 12/1974 Fantoni
- 4,203,624 A 5/1980 Hopkins
- 4,216,994 A 8/1980 Benoit

(Continued)

**OTHER PUBLICATIONS**

Introducing Empath Brochure. Downloaded from www.nuture.com/empath. Late 2011 (2 pages).

(Continued)

*Primary Examiner* — Susan Bennett Hattan  
*Assistant Examiner* — Vy Koenig

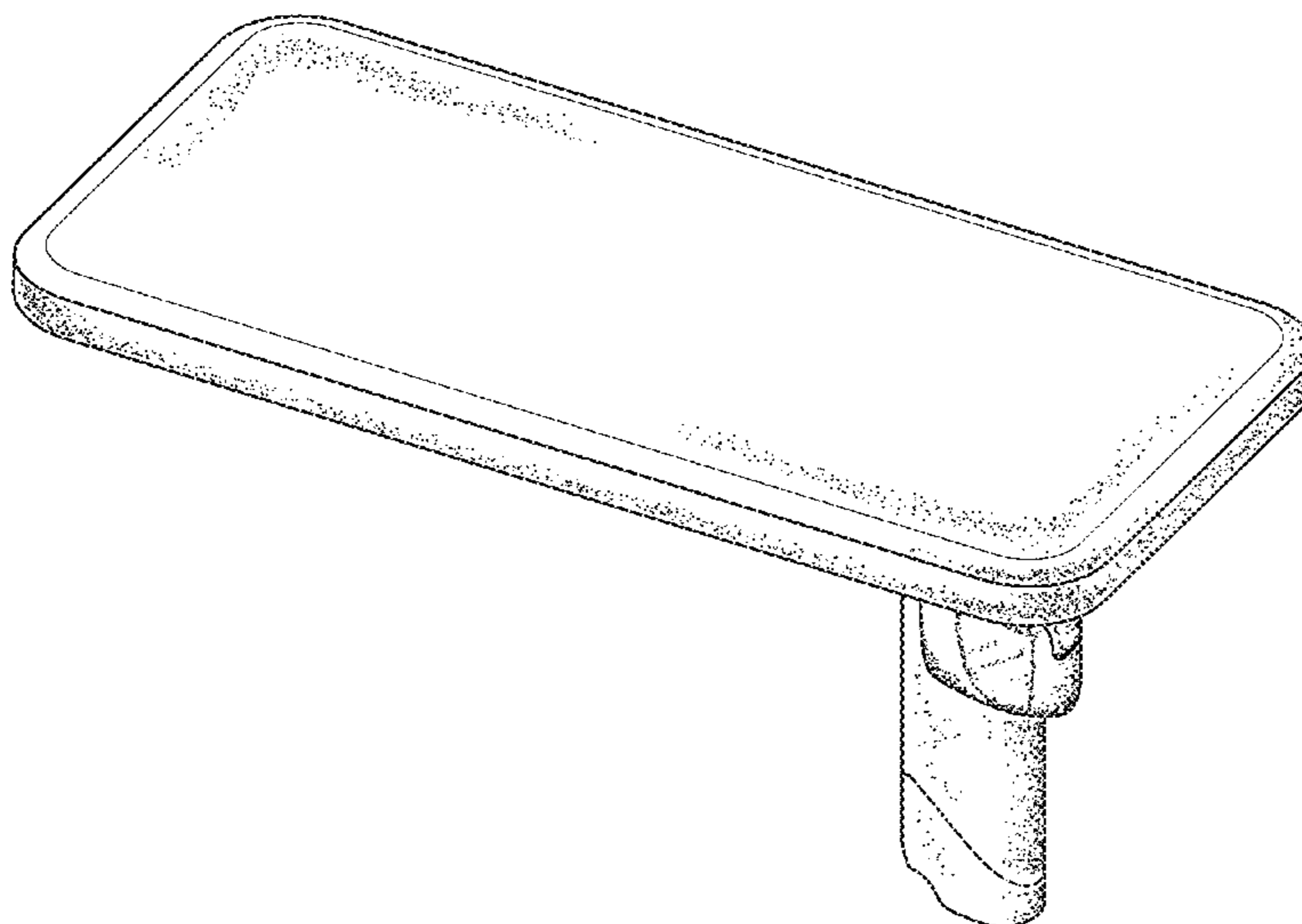
(57) **CLAIM**  
We claim the ornamental design for a tablet arm, as shown and described.

**DESCRIPTION**

FIG. 1 is a top perspective view of a tablet arm showing our new design;  
FIG. 2 is a rear perspective view of a tablet arm of FIG. 1;  
FIG. 3 is a bottom perspective view of a tablet arm of FIG. 1;  
FIG. 4 is a front view of a tablet arm of FIG. 1;  
FIG. 5 is a rear view of a tablet arm of FIG. 1;  
FIG. 6 is a right side view of a tablet arm of FIG. 1;  
FIG. 7 is a left side view of a tablet arm of FIG. 1;  
FIG. 8 is a top view of a tablet arm of FIG. 1; and,  
FIG. 9 is a bottom view of a tablet arm of FIG. 1.  
The dashed lines are for purposes of illustrating environmental structure and form no part of the claimed design.

**1 Claim, 8 Drawing Sheets**

- (56) **References Cited**  
U.S. PATENT DOCUMENTS  
327,192 A 9/1885 Parker  
672,303 A 12/1900 Williams  
821,572 A 5/1906 Allen  
951,145 A 3/1910 McGenniss  
1,243,438 A 10/1917 Morris



(56)

References Cited

U.S. PATENT DOCUMENTS

D266,719 S \* 11/1982 Hopkins ..... D6/511  
4,549,629 A 10/1985 Komuro  
4,997,156 A 3/1991 Allen  
D323,560 S \* 1/1992 Boyce et al. .... D24/184  
5,290,092 A 3/1994 Geer  
5,398,991 A 3/1995 Smith et al.  
5,683,136 A 11/1997 Baumann et al.  
5,765,911 A \* 6/1998 Sorenson ..... 297/173  
5,845,964 A 12/1998 Phoon  
5,931,528 A 8/1999 Shields  
6,073,997 A 6/2000 Koh  
D433,848 S \* 11/2000 Sorel et al. .... D6/480  
6,220,658 B1 4/2001 Lukawski et al.

6,375,257 B1 4/2002 Wooding et al.  
6,669,282 B2 12/2003 Piretti  
6,837,539 B1 1/2005 Casey  
D503,302 S \* 3/2005 Farber et al. .... D6/511  
7,370,910 B2 5/2008 Piretti  
7,695,061 B2 4/2010 Olarte  
D628,405 S \* 12/2010 Pippin ..... D6/418  
D636,613 S \* 4/2011 Overthun et al. .... D6/338  
8,109,566 B2 2/2012 Koh  
D674,615 S \* 1/2013 Blomstrom et al. .... D6/341

OTHER PUBLICATIONS

Empath Specifications Guide. Late 2011 (3 pages).  
Empath Technical Cut Sheet, p. 8 and 11. Late 2011 (2 pages).

\* cited by examiner

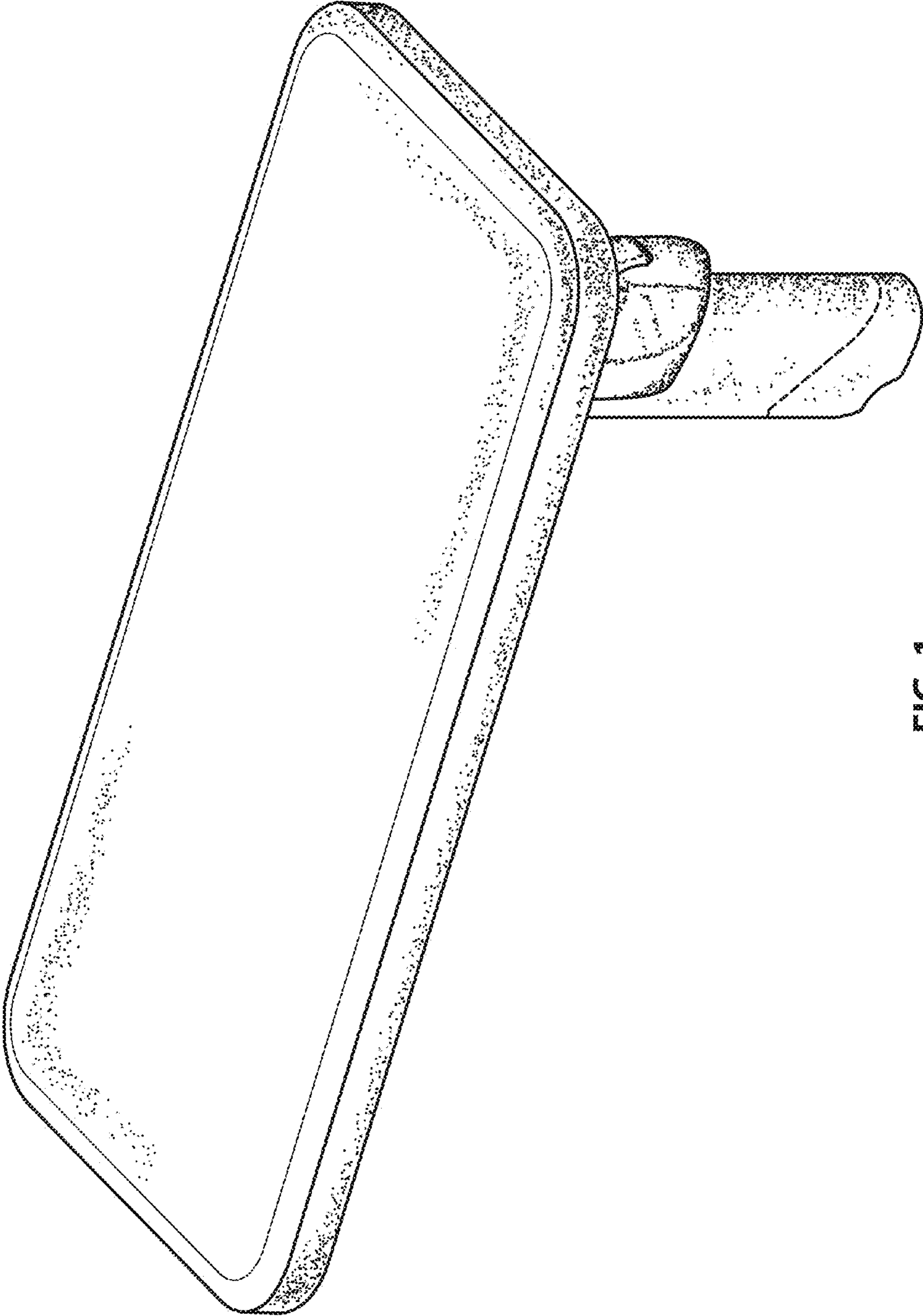


FIG. 1

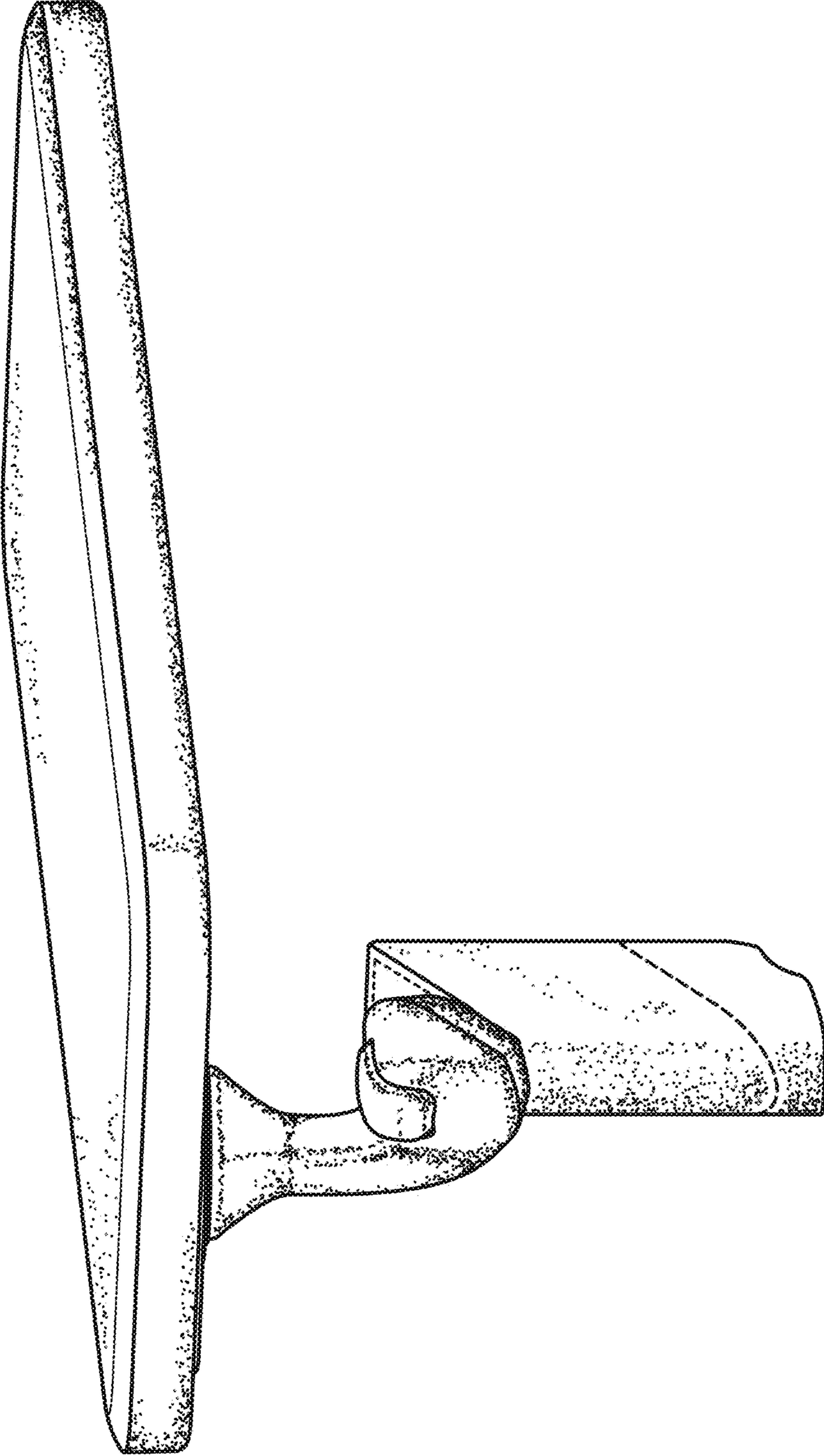


FIG. 2

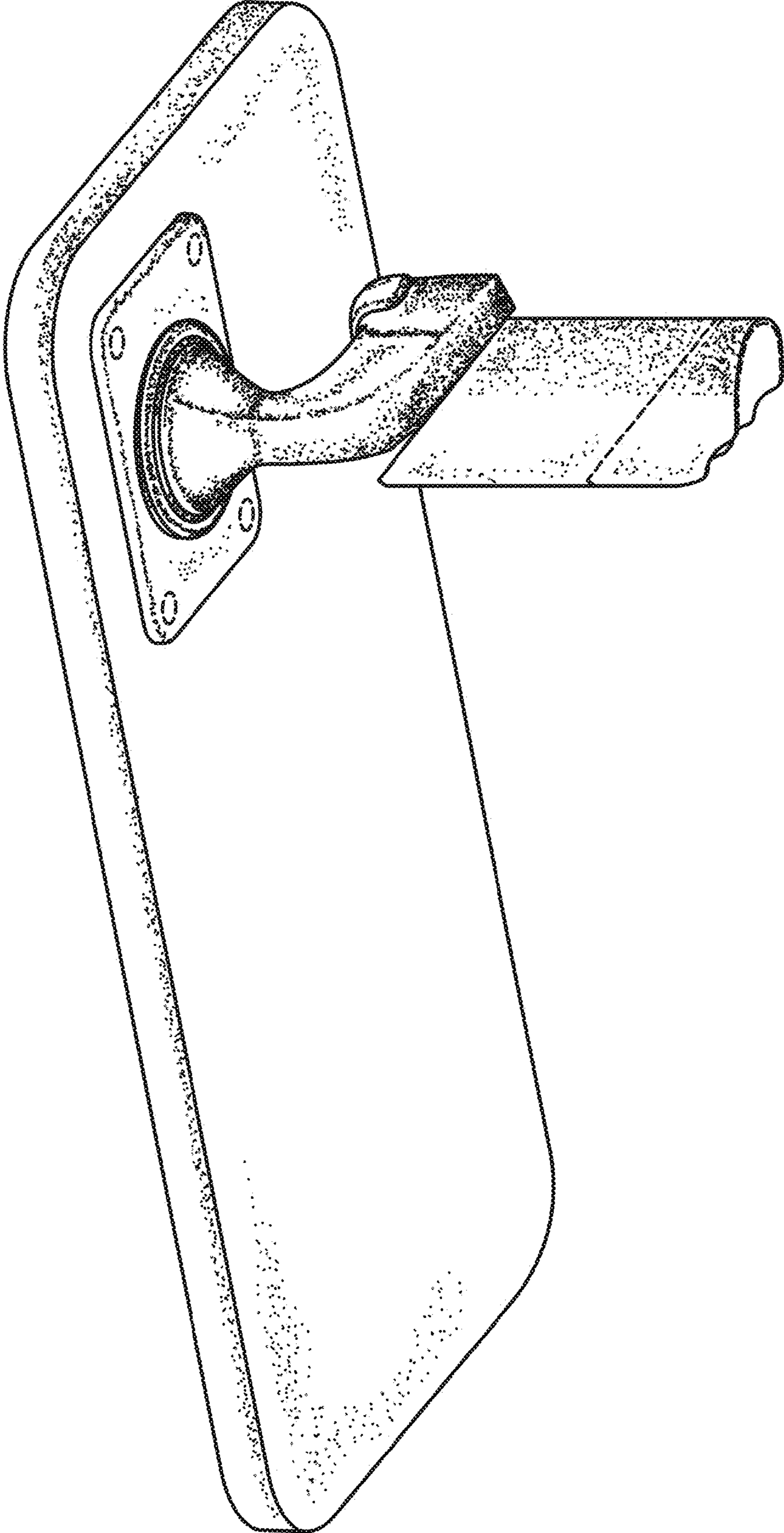


FIG. 3

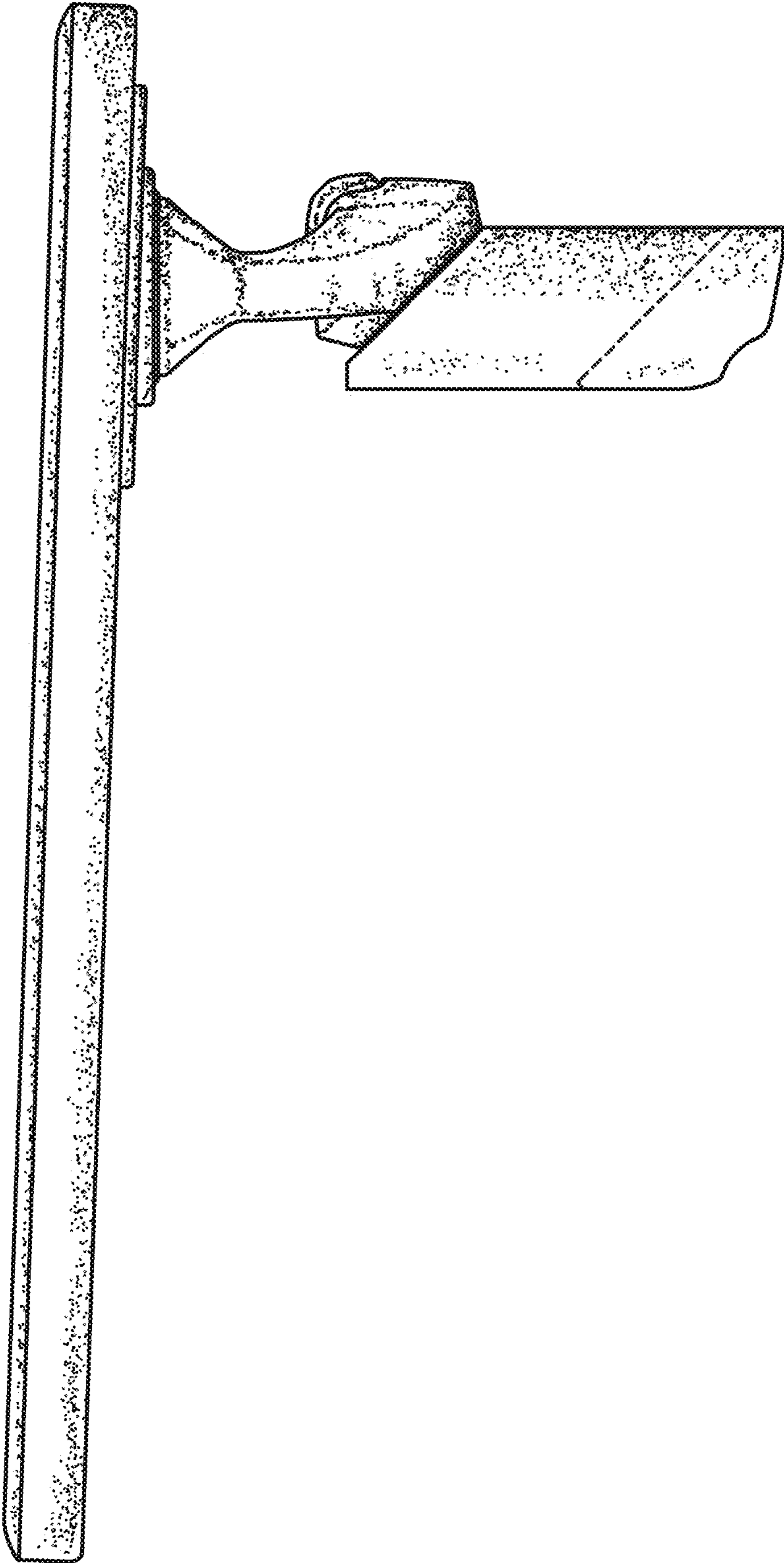


FIG. 4

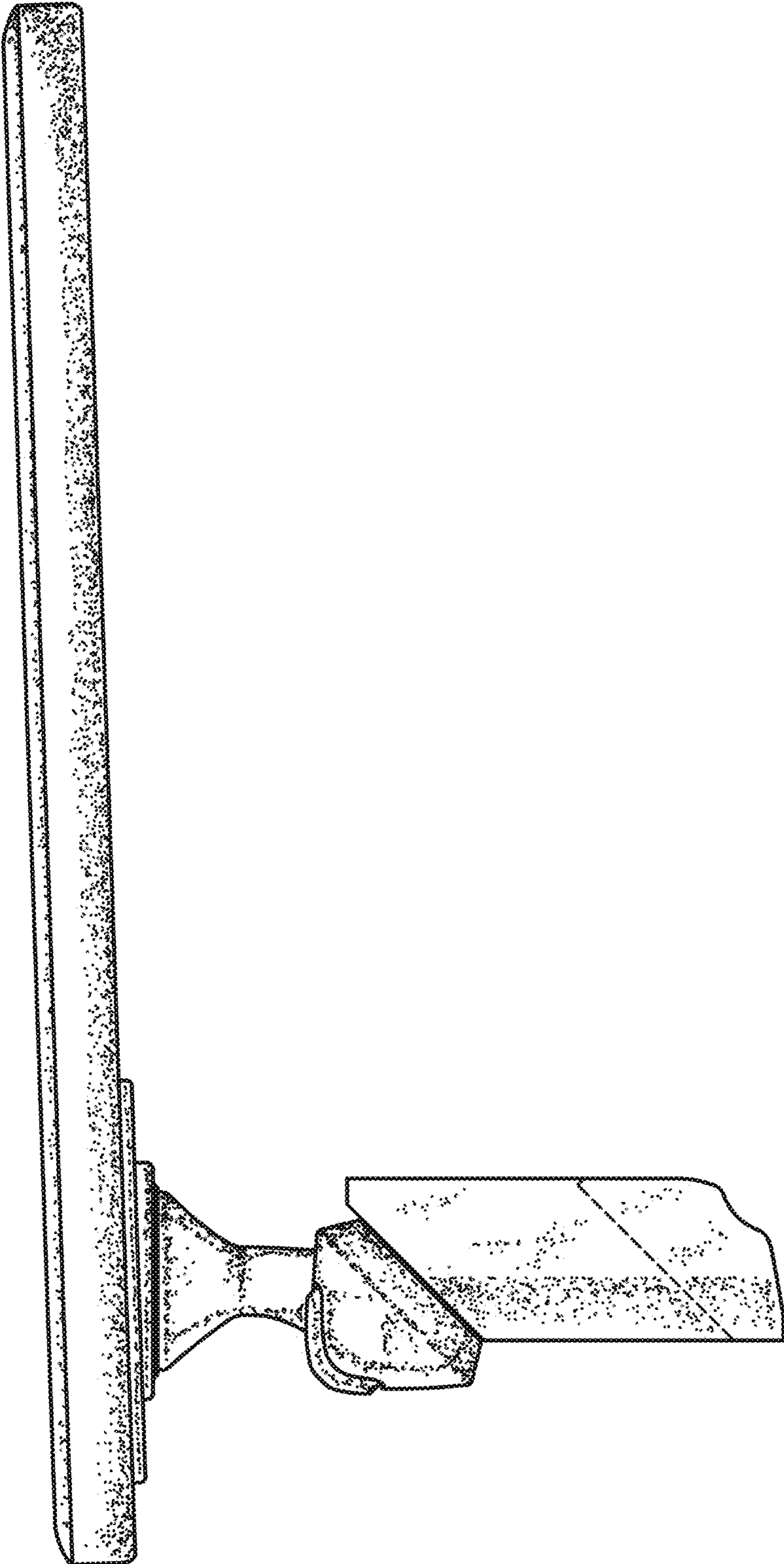


FIG. 5

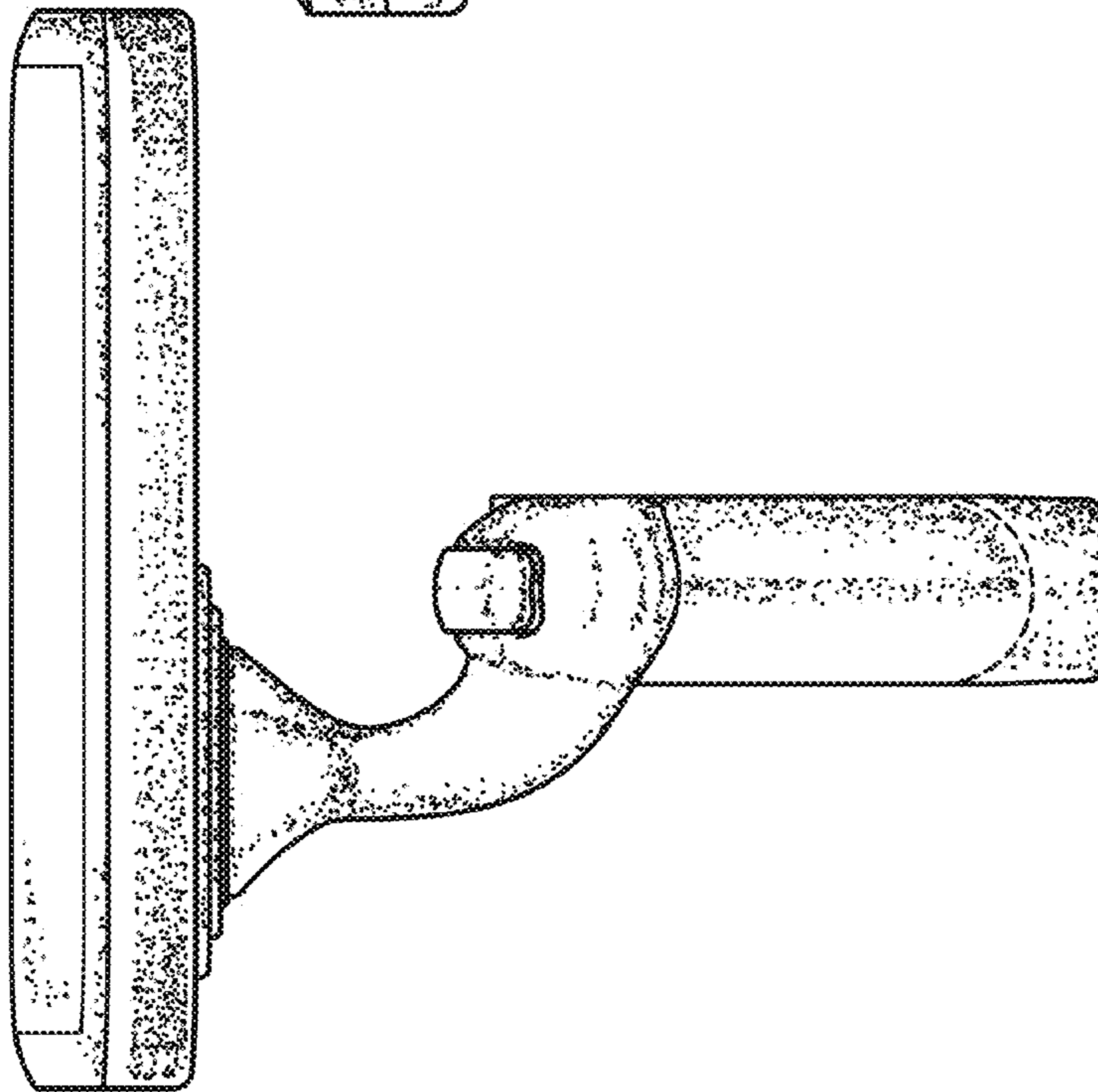


FIG. 6

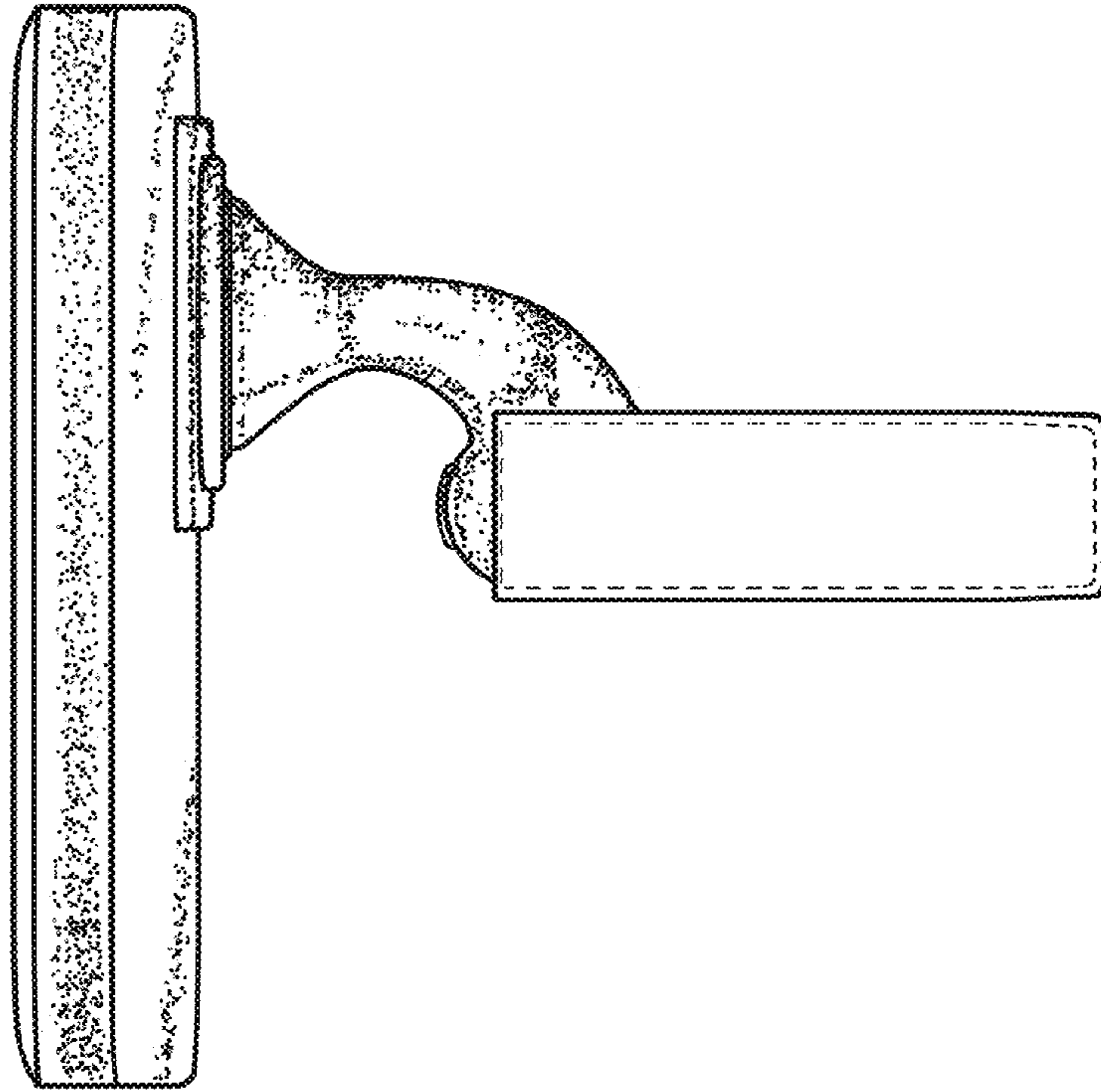


FIG. 7



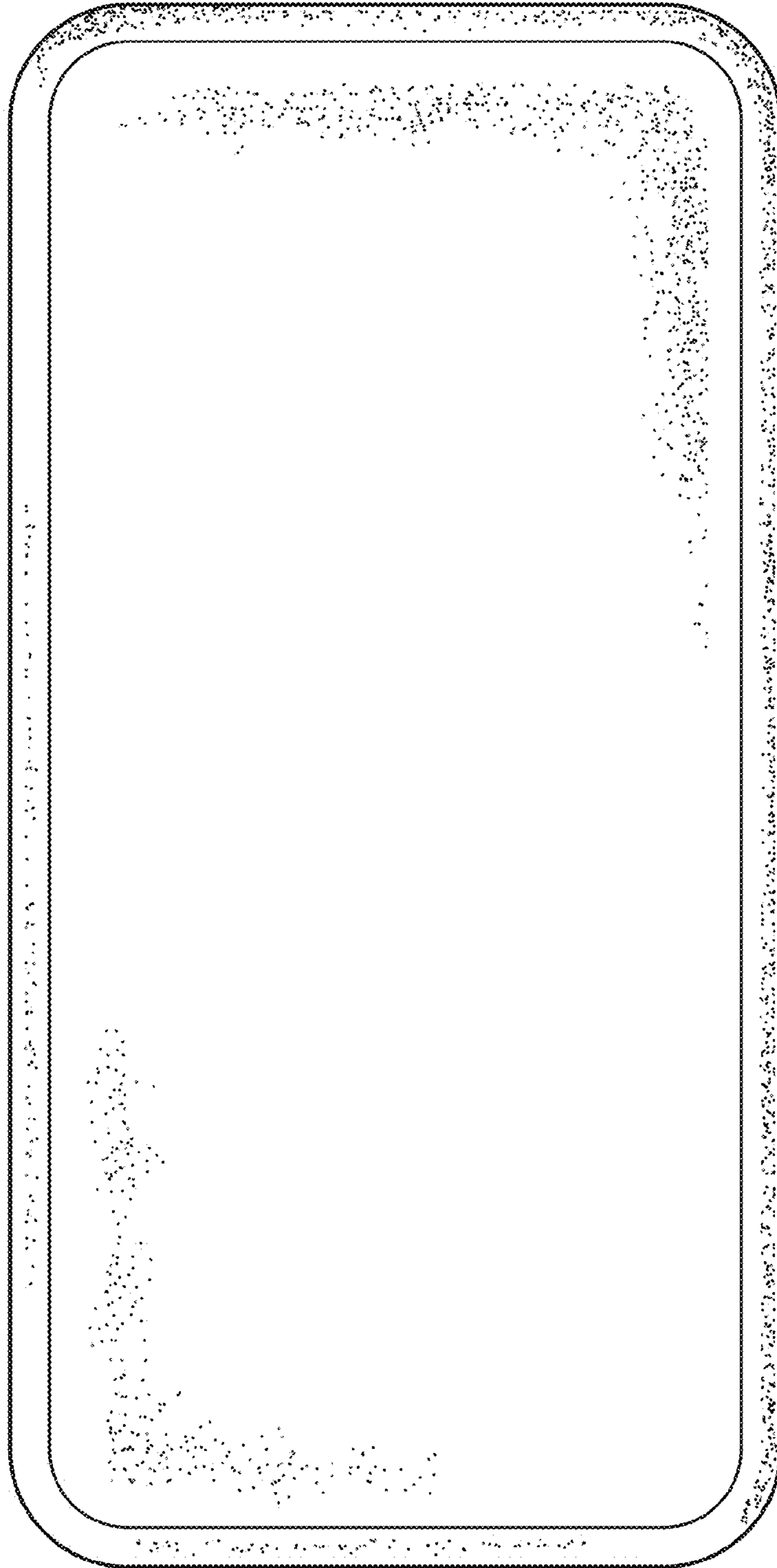


FIG. 8

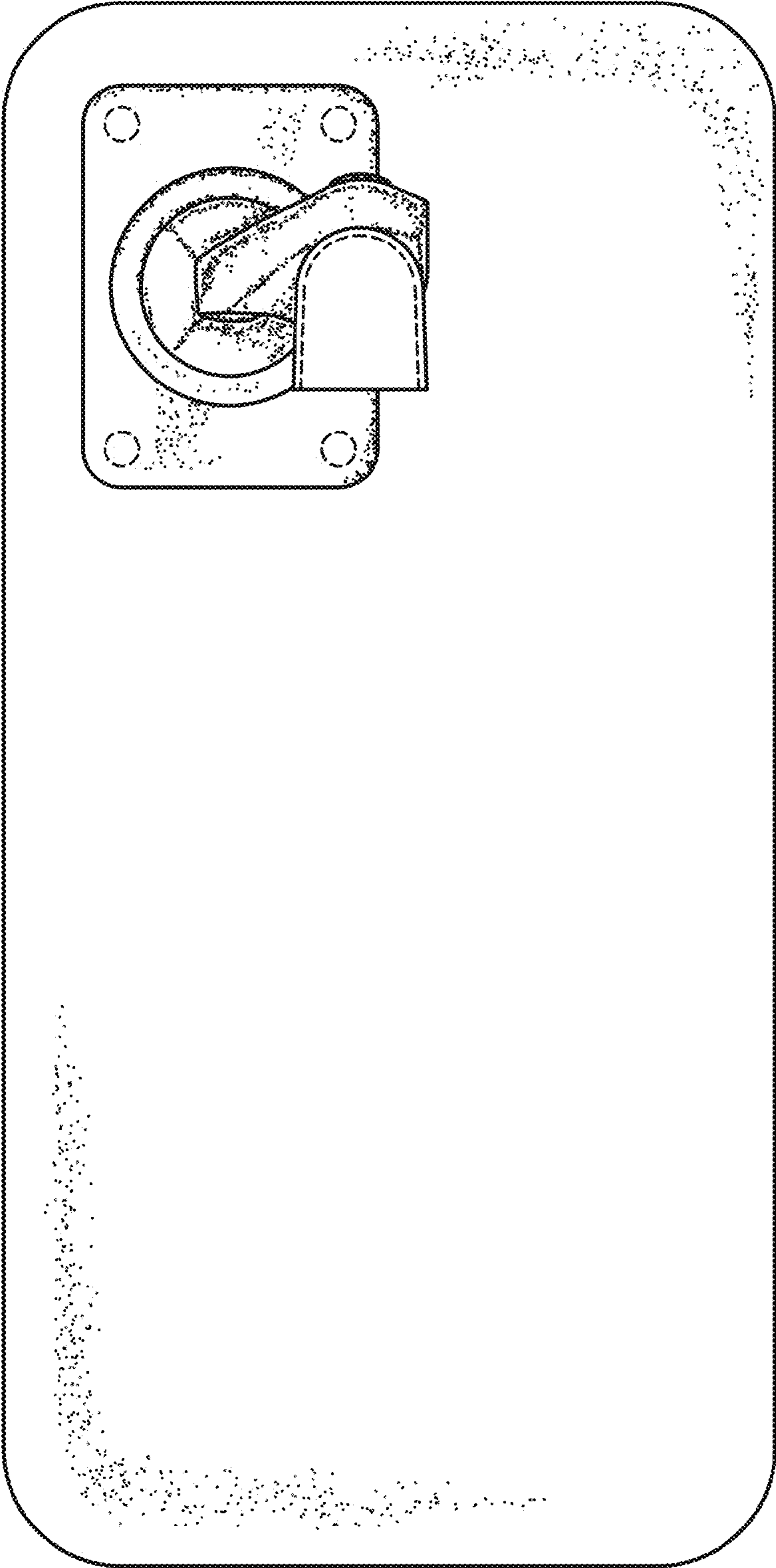


FIG. 9