



US00D731217S

(12) **United States Design Patent**  
**Versace**

(10) **Patent No.:** **US D731,217 S**  
(45) **Date of Patent:** **\*\* Jun. 9, 2015**

(54) **TABLE**

(71) Applicant: **GIANNI VERSACE S.p.A.**, Milan (IT)

(72) Inventor: **Donatella Versace**, Milan (IT)

(73) Assignee: **Gianni Versace S.p.A.**, Milan (IT)

(\*\*) Term: **14 Years**

(21) Appl. No.: **29/469,174**

(22) Filed: **Oct. 8, 2013**

(30) **Foreign Application Priority Data**

Apr. 8, 2013 (EM) ..... 002215855

(51) **LOC (10) Cl.** ..... **06-03**

(52) **U.S. Cl.**

USPC ..... **D6/691**

(58) **Field of Classification Search**

USPC ..... D6/691, 691.1, 691.2, 691.4, 691.8,  
D6/675, 675.1, 651; 108/150, 153.1, 155,  
108/156, 157.1, 161; 248/188, 188.1, 188.8

See application file for complete search history.

(56) **References Cited**

U.S. PATENT DOCUMENTS

D157,184 S *	2/1950	Nible .....	D6/480
D166,338 S *	4/1952	Petzold .....	D6/484
D229,467 S *	12/1973	Ginsbert .....	D6/479
D551,465 S *	9/2007	Daniel .....	D6/422
D677,933 S *	3/2013	Lenney .....	D6/651

\* cited by examiner

*Primary Examiner* — Janice Seeger

(74) *Attorney, Agent, or Firm* — Meunier Carlin & Curfman LLC

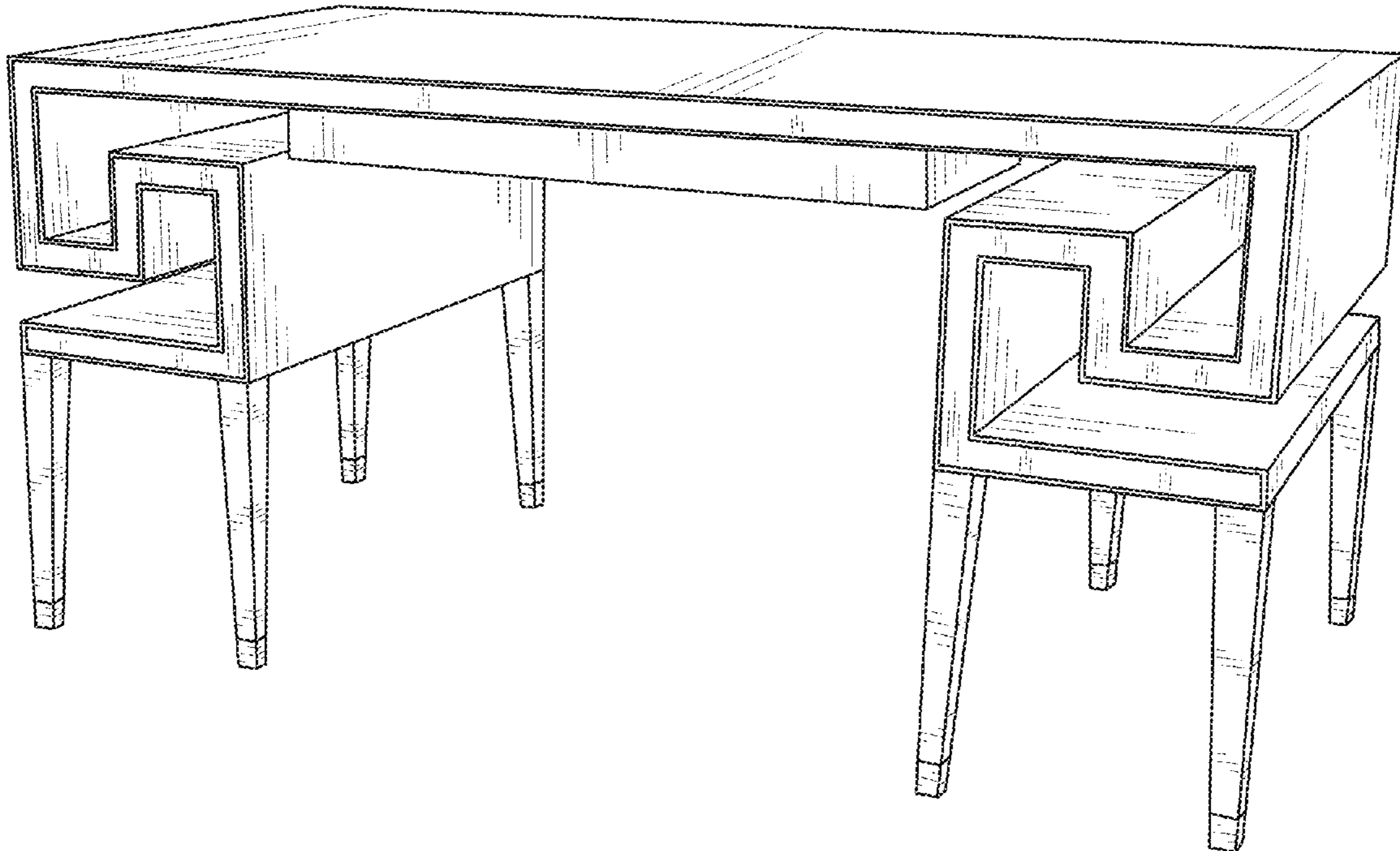
(57) **CLAIM**

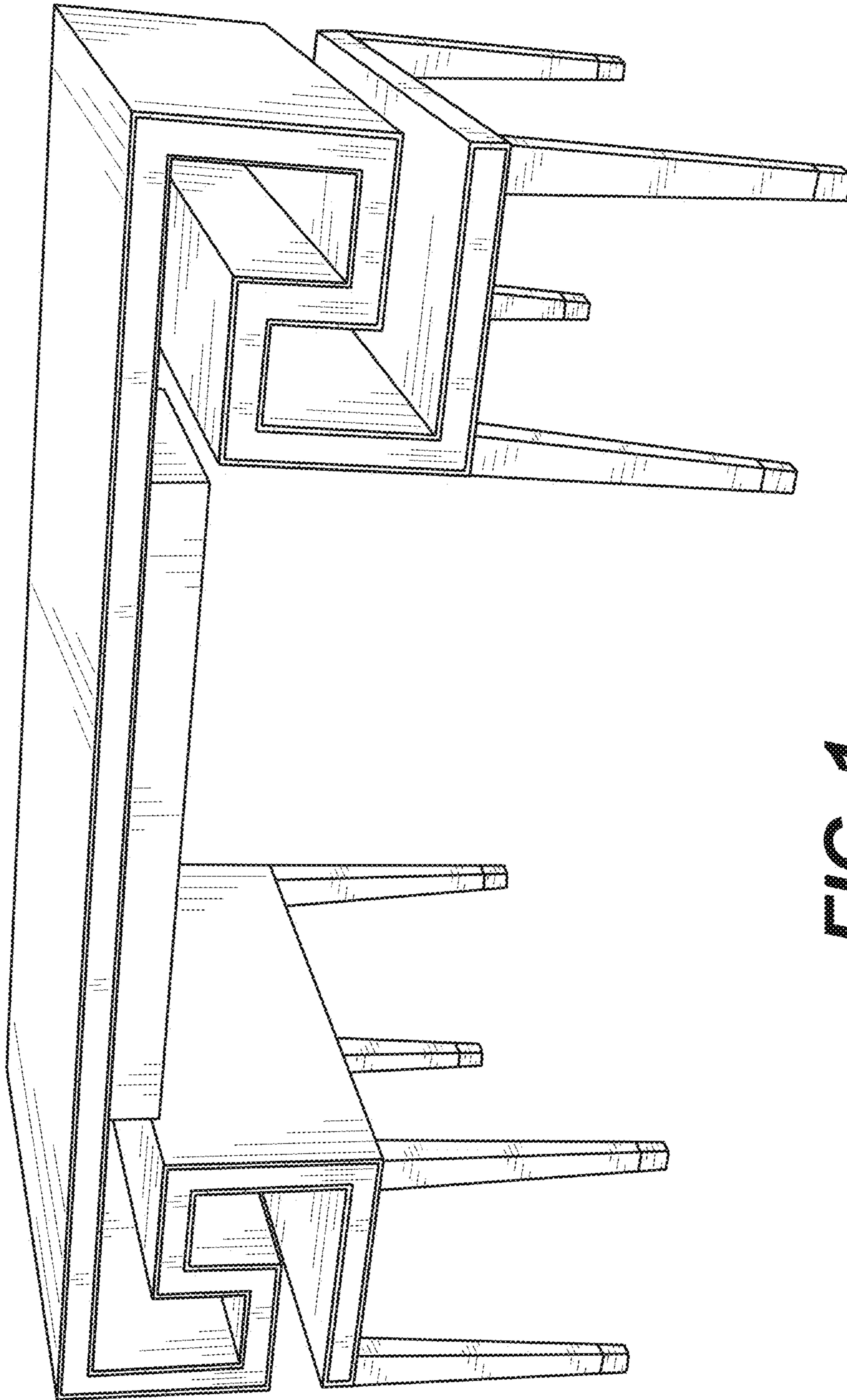
The ornamental design for a table, as shown and described.

**DESCRIPTION**

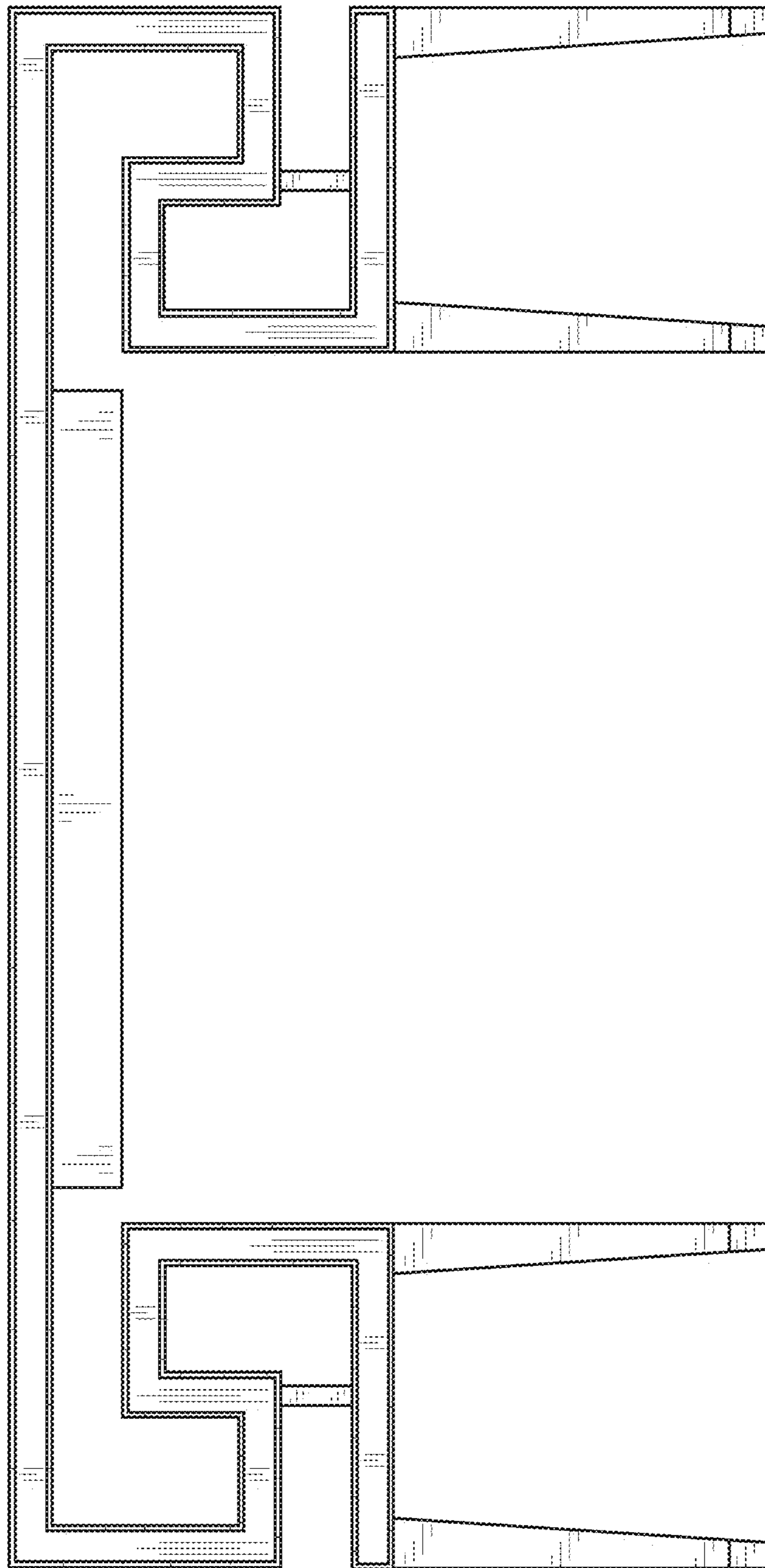
FIG. 1 is a perspective view of the table.  
FIG. 2 is a front view of the table depicted in FIG. 1.  
FIG. 3 is a back view of the table depicted in FIG. 1.  
FIG. 4 is a left side view of the table depicted in FIG. 1.  
FIG. 5 is a right side view of the table depicted in FIG. 1.  
FIG. 6 is a top view of the table depicted in FIG. 1; and  
FIG. 7 is a bottom view of the table depicted in FIG. 1.

**1 Claim, 7 Drawing Sheets**

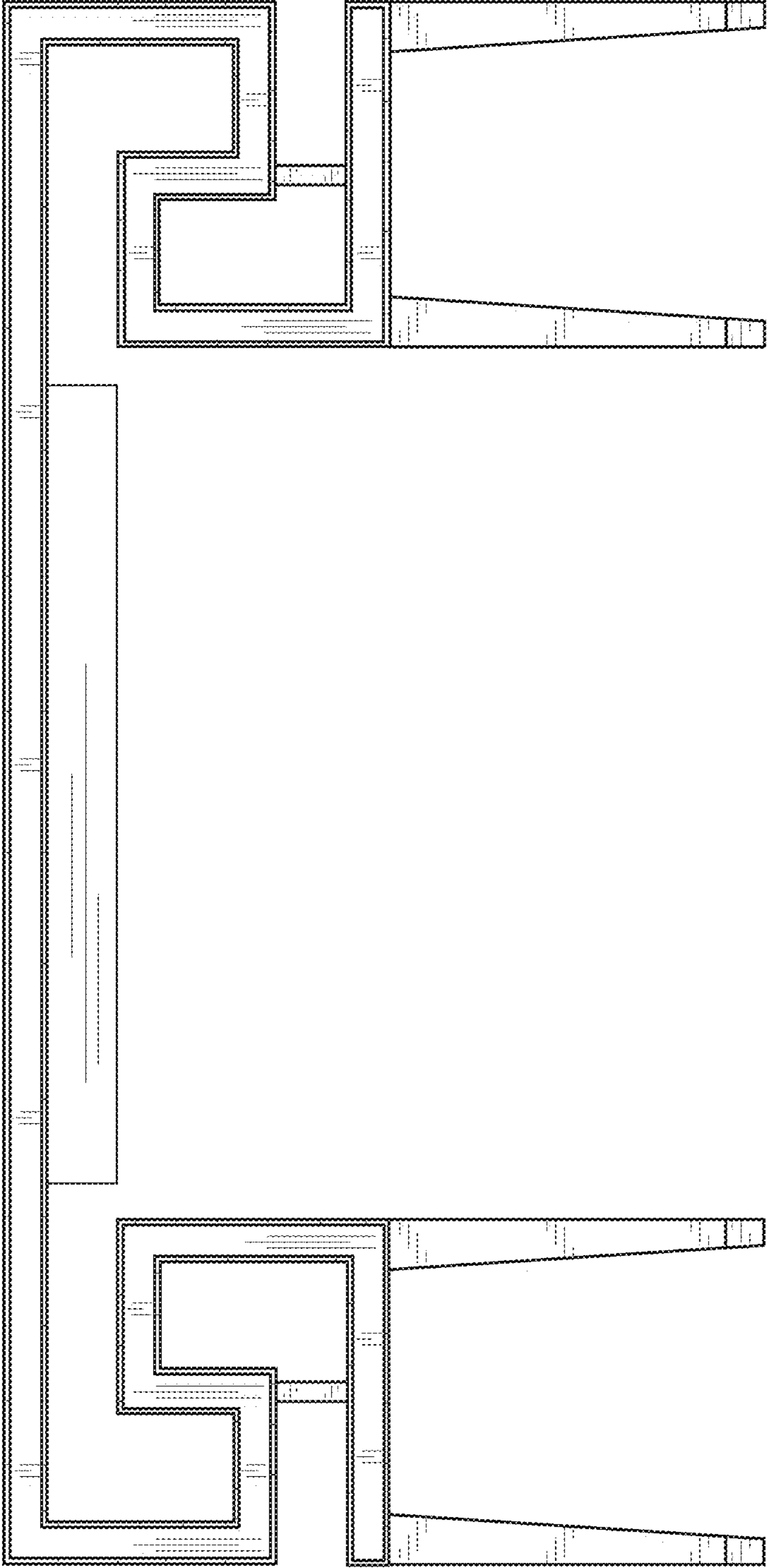




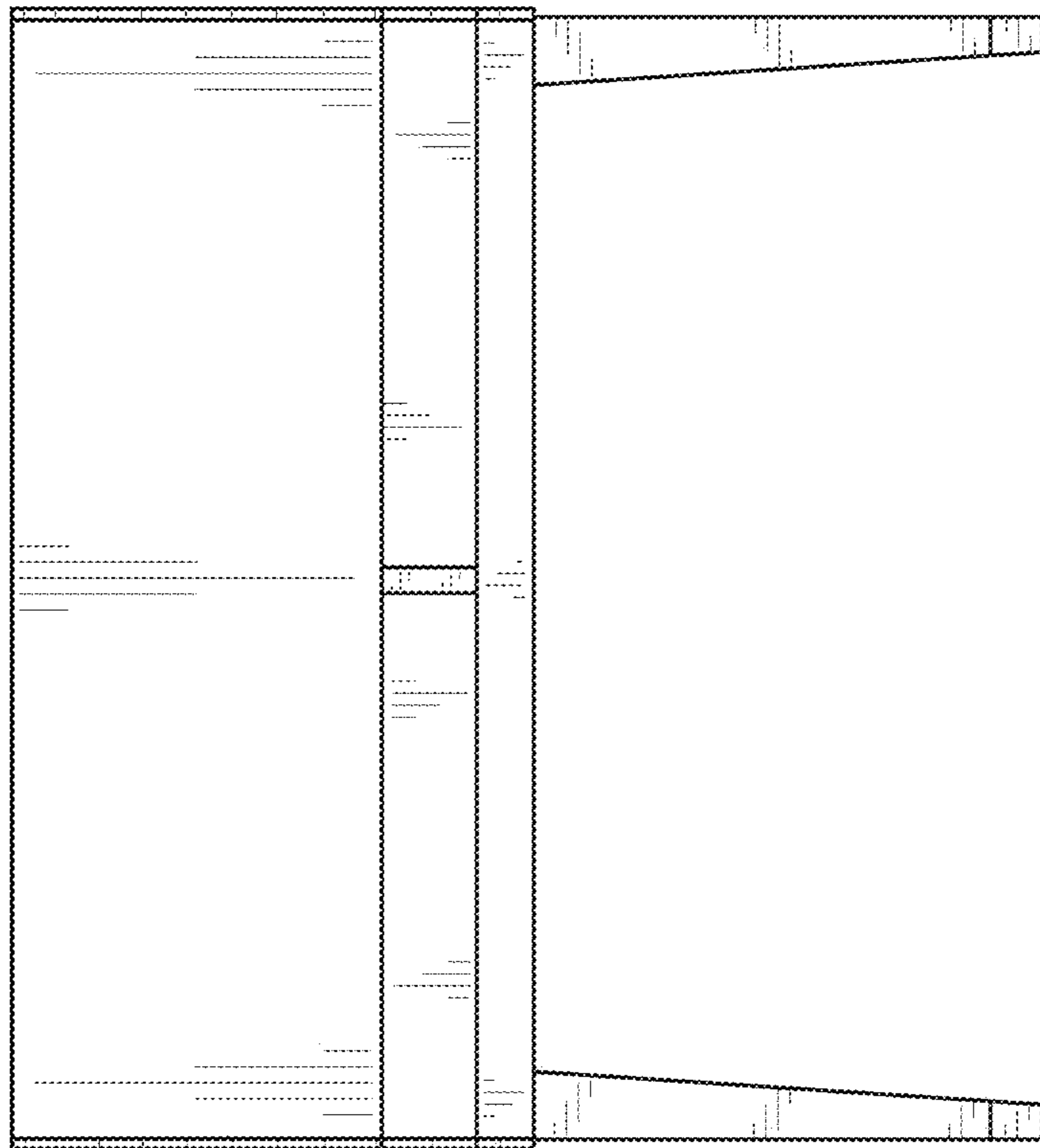
**FIG. 1**



**FIG. 2**

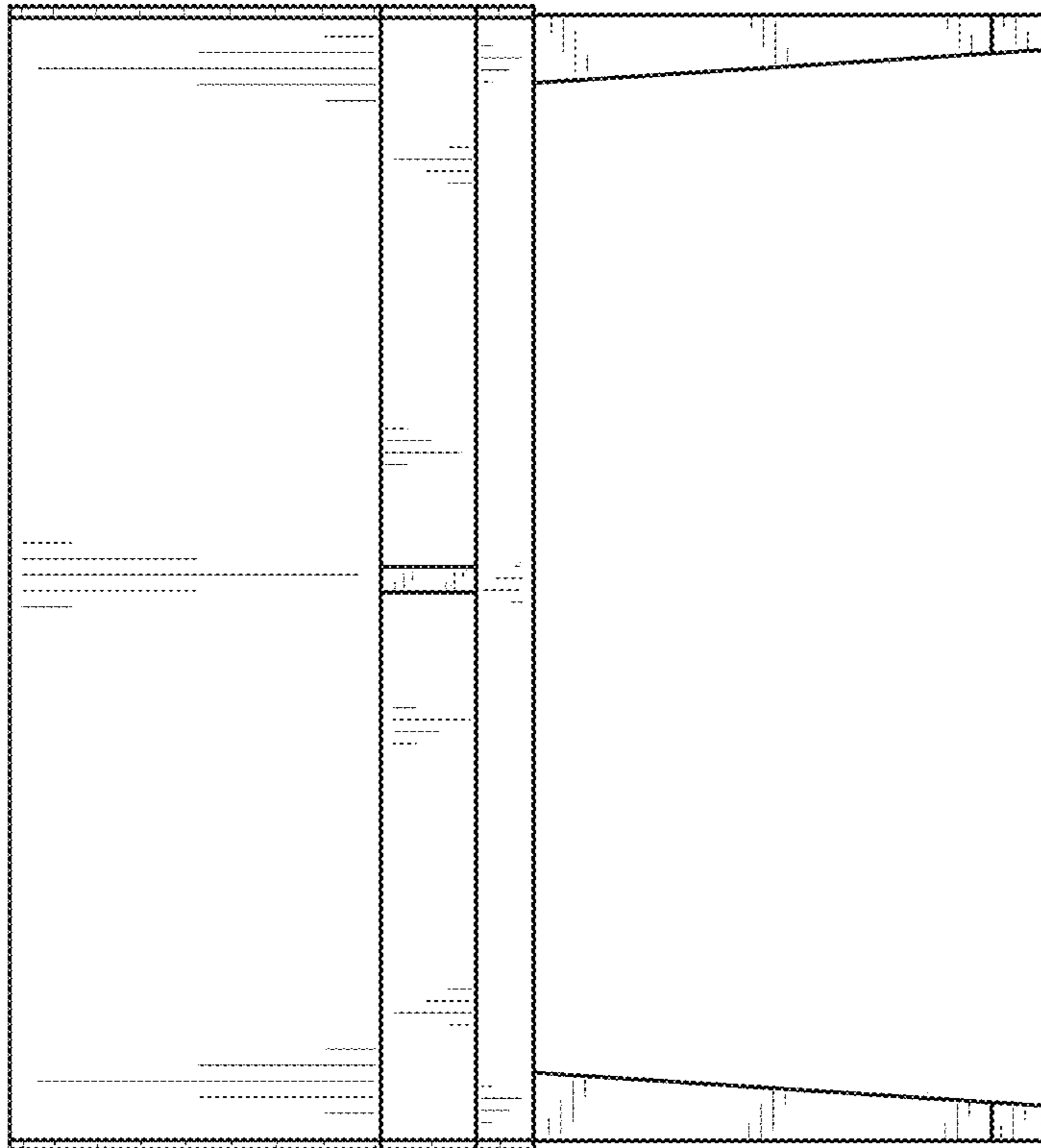


**FIG. 3**

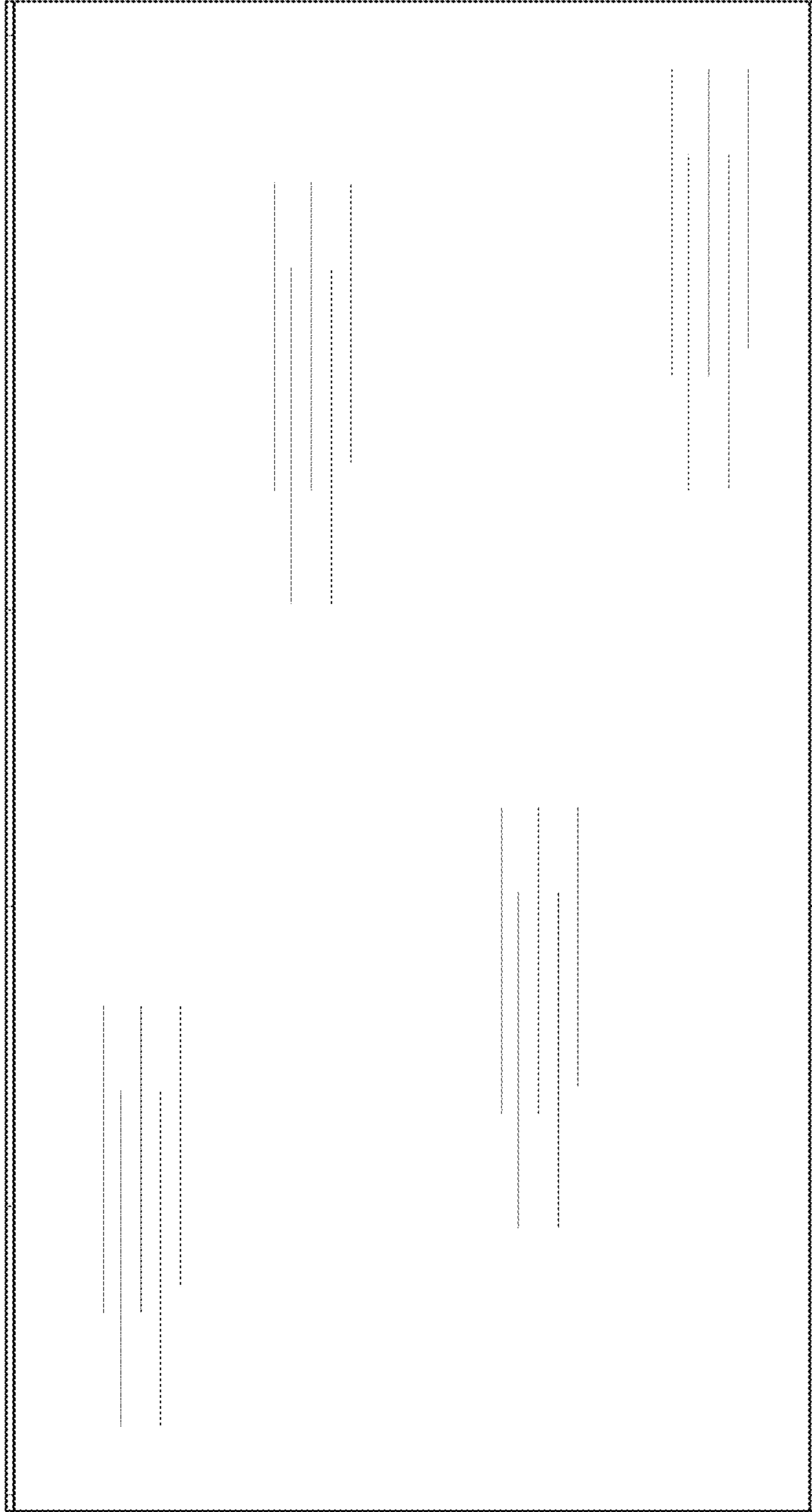


**FIG. 4**

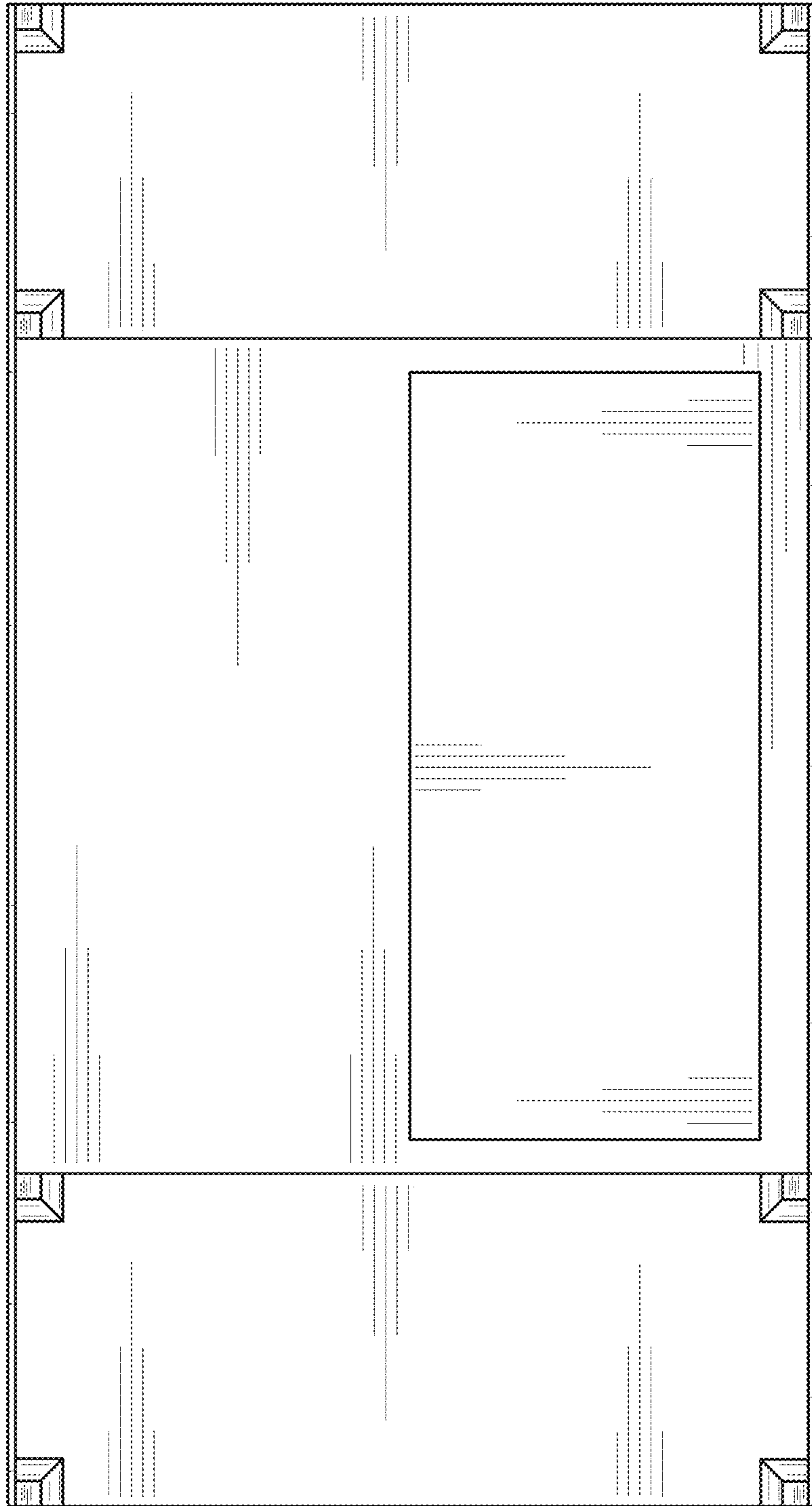




**FIG. 5**



**FIG. 6**



**FIG. 7**