



US00D731216S

(12) **United States Design Patent**
Sorel

(10) **Patent No.:** **US D731,216 S**
(45) **Date of Patent:** **** Jun. 9, 2015**

- (54) **TABLE**
- (71) Applicant: **Jess Sorel**, Oakland, CA (US)
- (72) Inventor: **Jess Sorel**, Oakland, CA (US)
- (73) Assignee: **WEST COAST INDUSTRIES, INC.**,
San Francisco, CA (US)
- (**) Term: **14 Years**
- (21) Appl. No.: **29/467,271**
- (22) Filed: **Sep. 17, 2013**
- (51) **LOC (10) Cl.** **06-03**
- (52) **U.S. Cl.**
USPC **D6/690; D6/691.4**
- (58) **Field of Classification Search**
USPC D6/691, 691.1, 691.2, 691.4, 691.8,
D6/690; 108/157.14, 150, 153.1, 155, 156,
108/157.1, 161, 174; 312/259; 248/188,
248/188.1, 188.8
See application file for complete search history.

D299,601 S * 1/1989 Campbell D6/487
D644,456 S * 9/2011 Martin D6/483

* cited by examiner

Primary Examiner — Janice Seeger
(74) *Attorney, Agent, or Firm* — Dergosite & Noah LLP;
Todd A. Noah

(57) **CLAIM**
The ornamental design for a table, as shown and described.

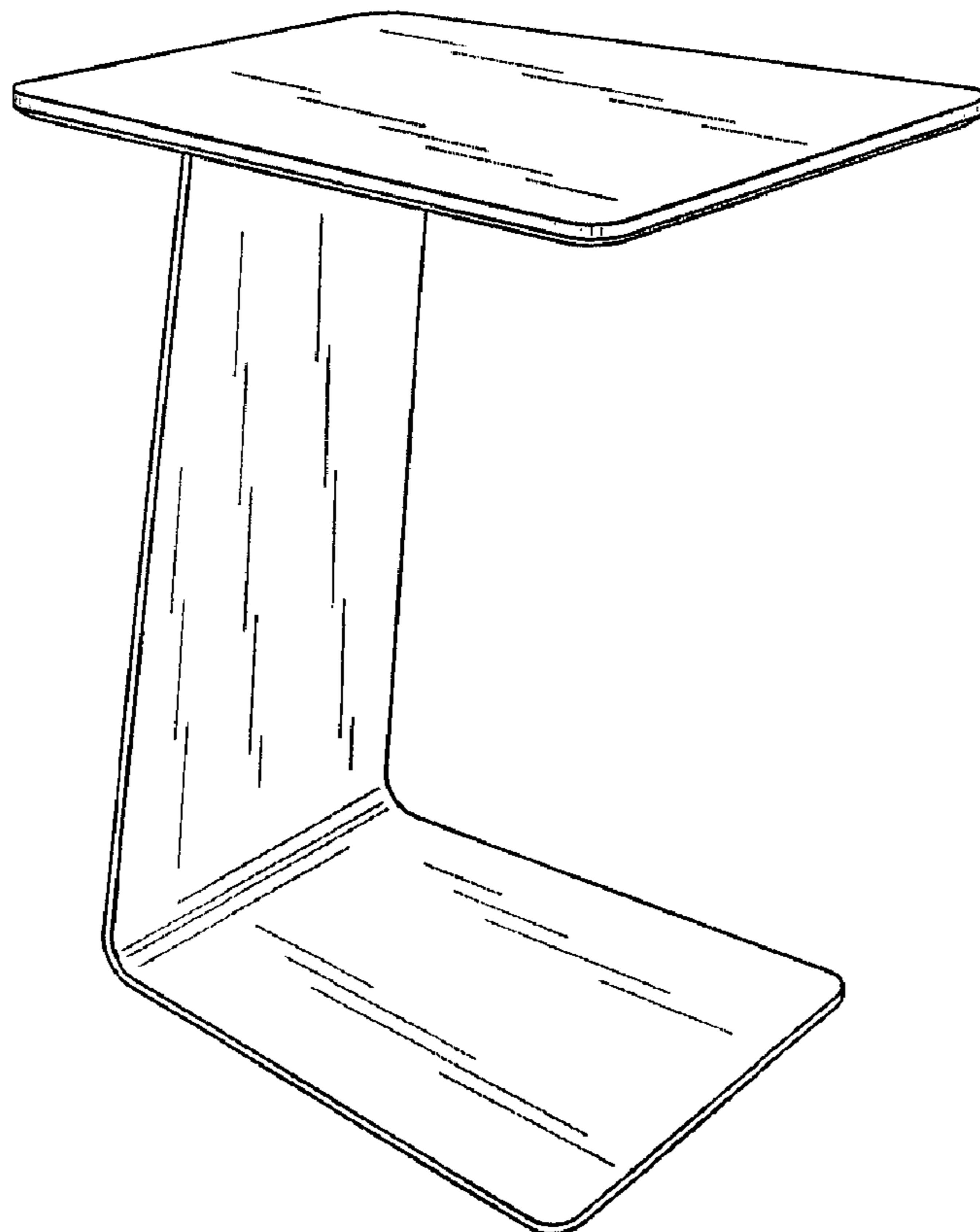
DESCRIPTION

FIG. 1 is a front perspective view of the table;
FIG. 2 is a top view of the table of FIG. 1;
FIG. 3 is a bottom view of the table of FIG. 1;
FIG. 4 is a side elevational view of the table of FIG. 1;
FIG. 5 is a side elevational view of the table of FIG. 1,
opposite to the view shown in FIG. 4;
FIG. 6 is a front elevational view of the table of FIG. 1; and,
FIG. 7 is a rear elevational view of the table of FIG. 1,
opposite to the view shown in FIG. 6.

(56) **References Cited**
U.S. PATENT DOCUMENTS

D290,072 S * 6/1987 Winzeler, III D6/486

1 Claim, 2 Drawing Sheets



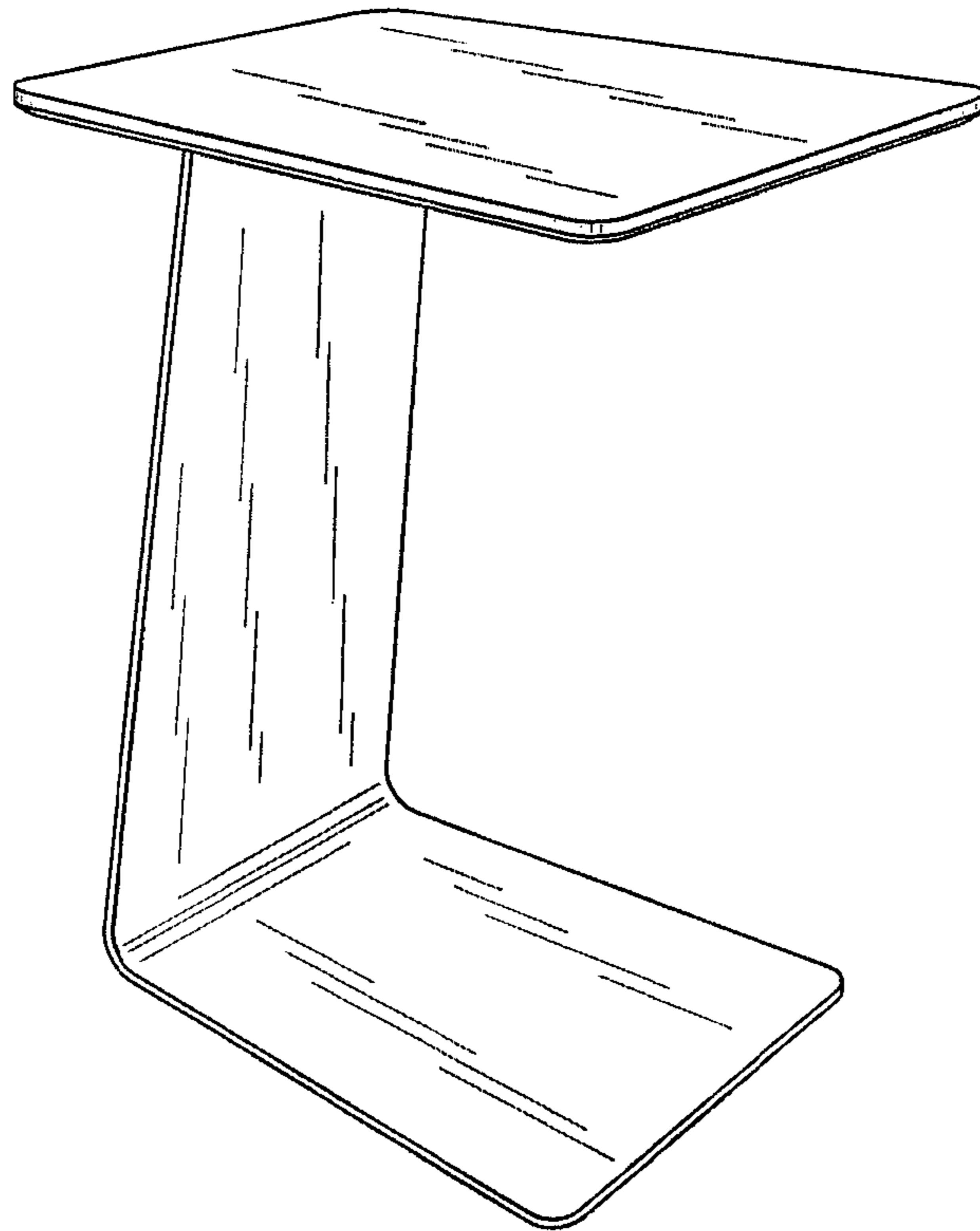


FIG. 1

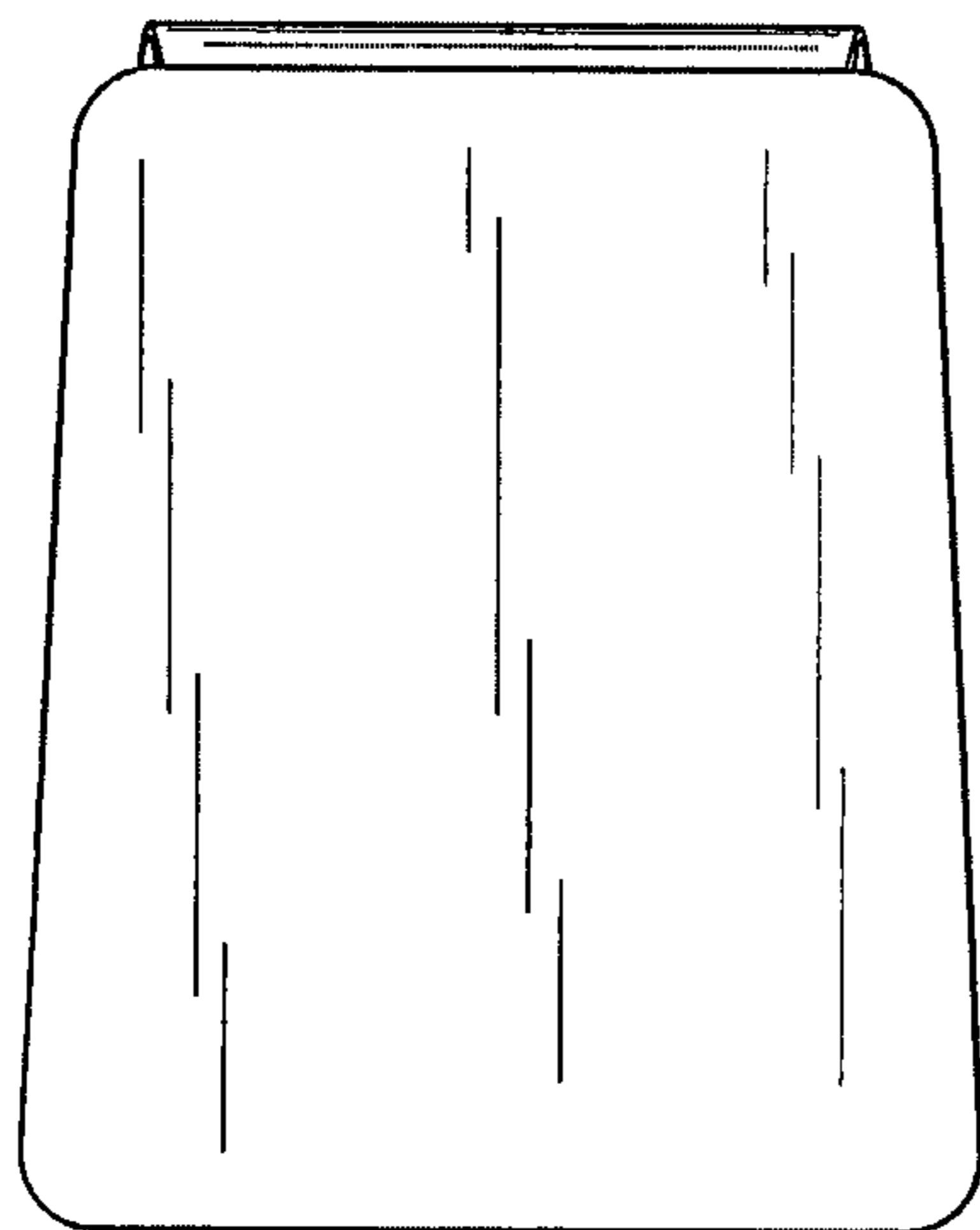


FIG. 2

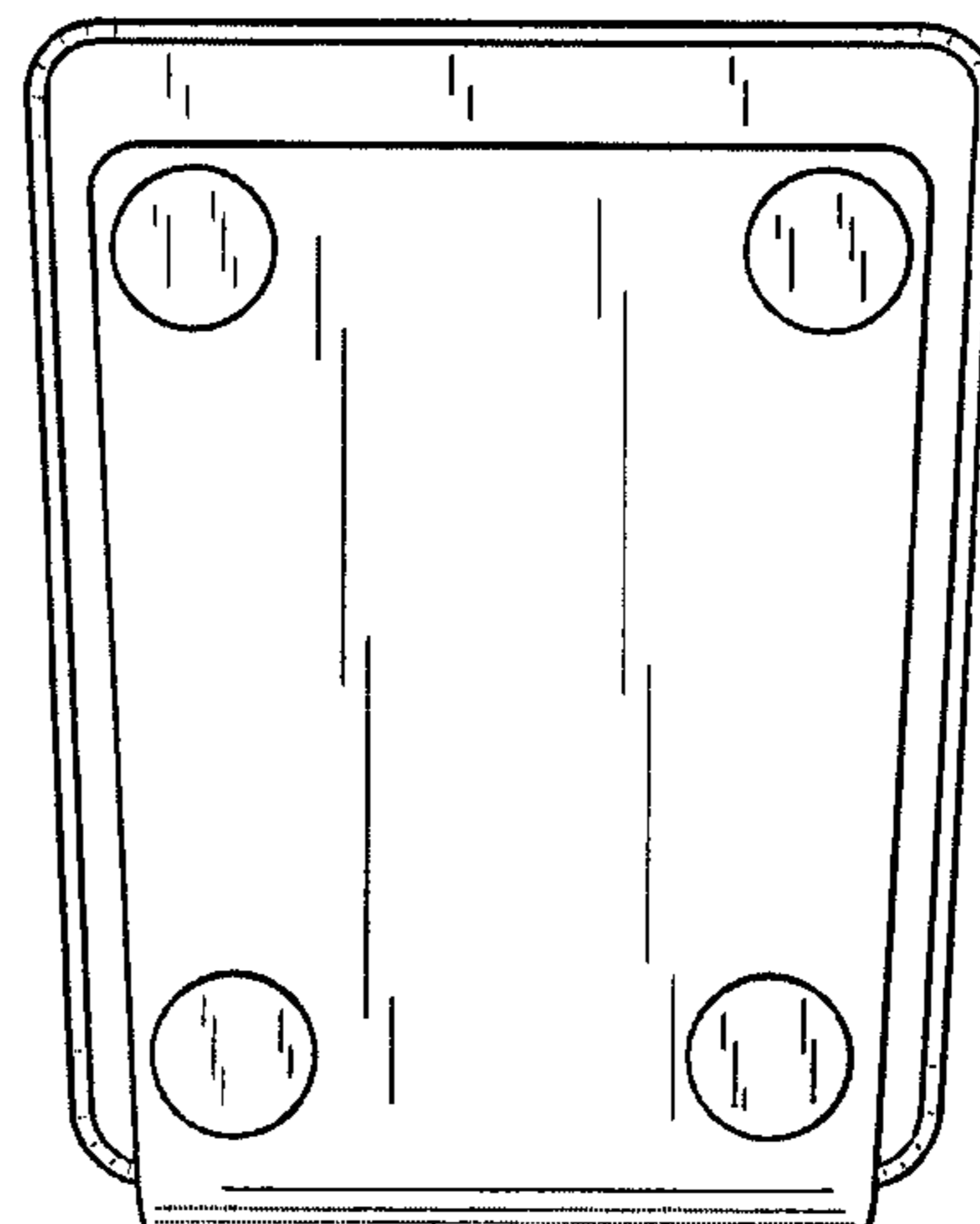


FIG. 3

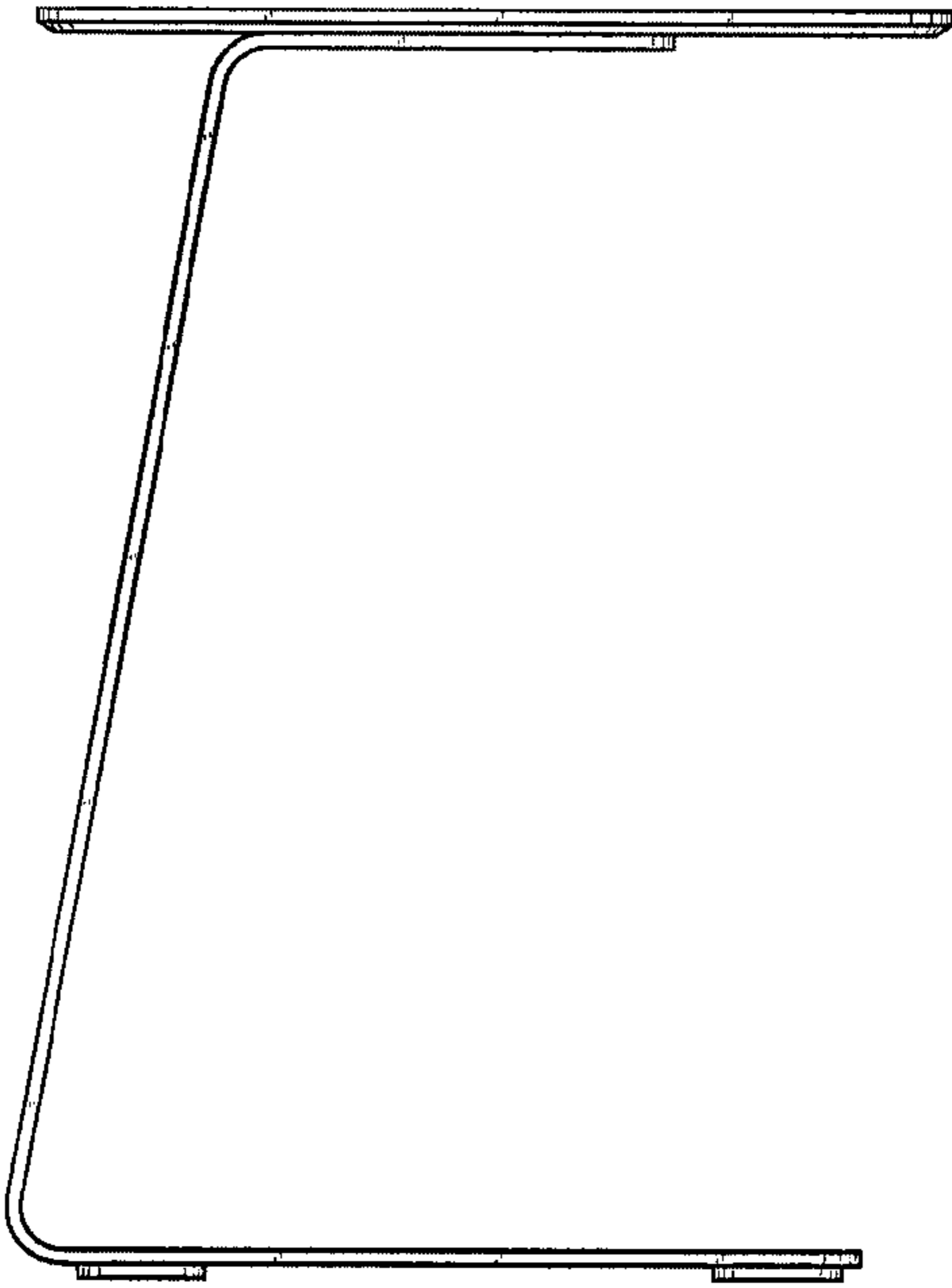


FIG. 4

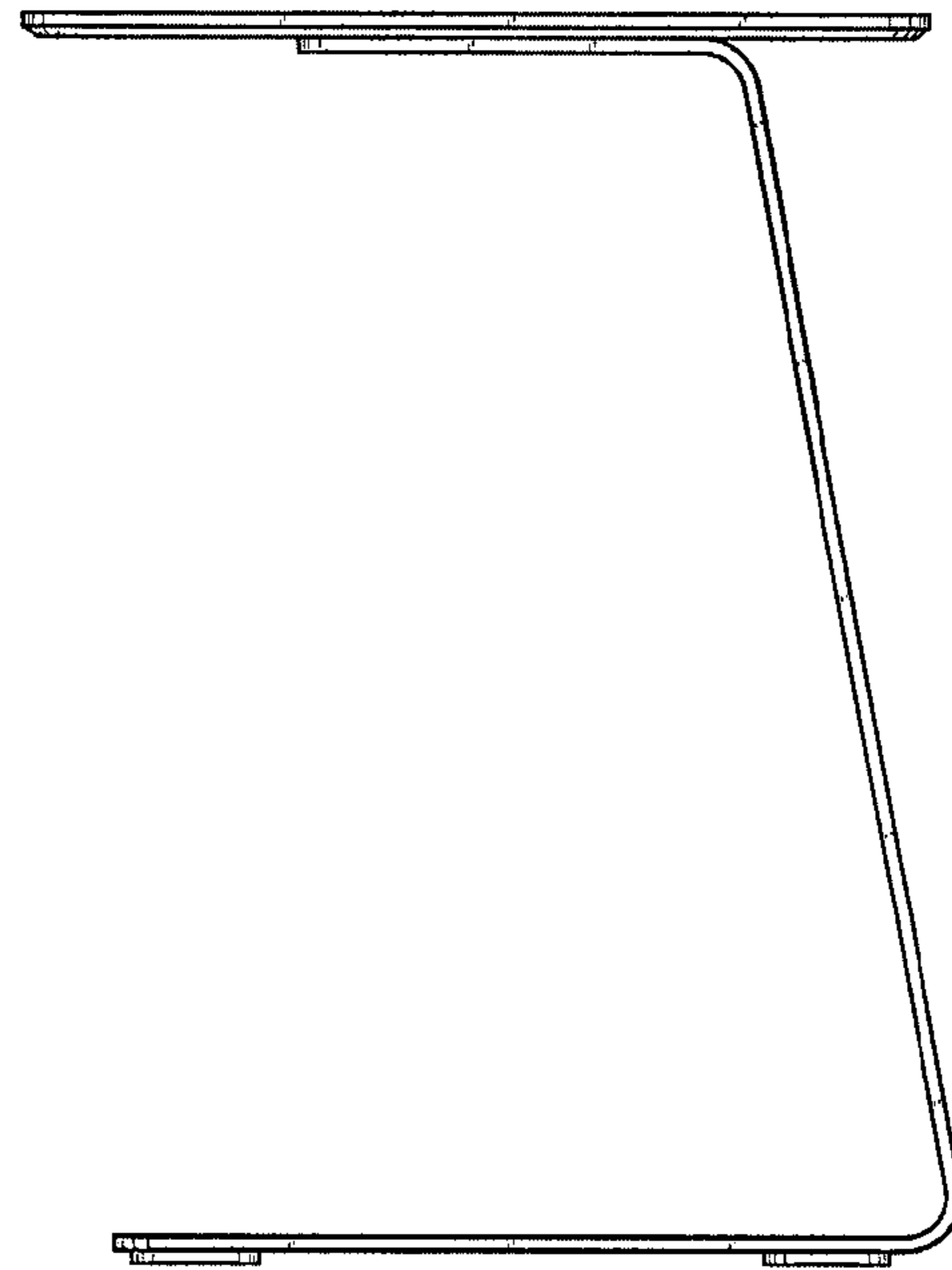


FIG. 5

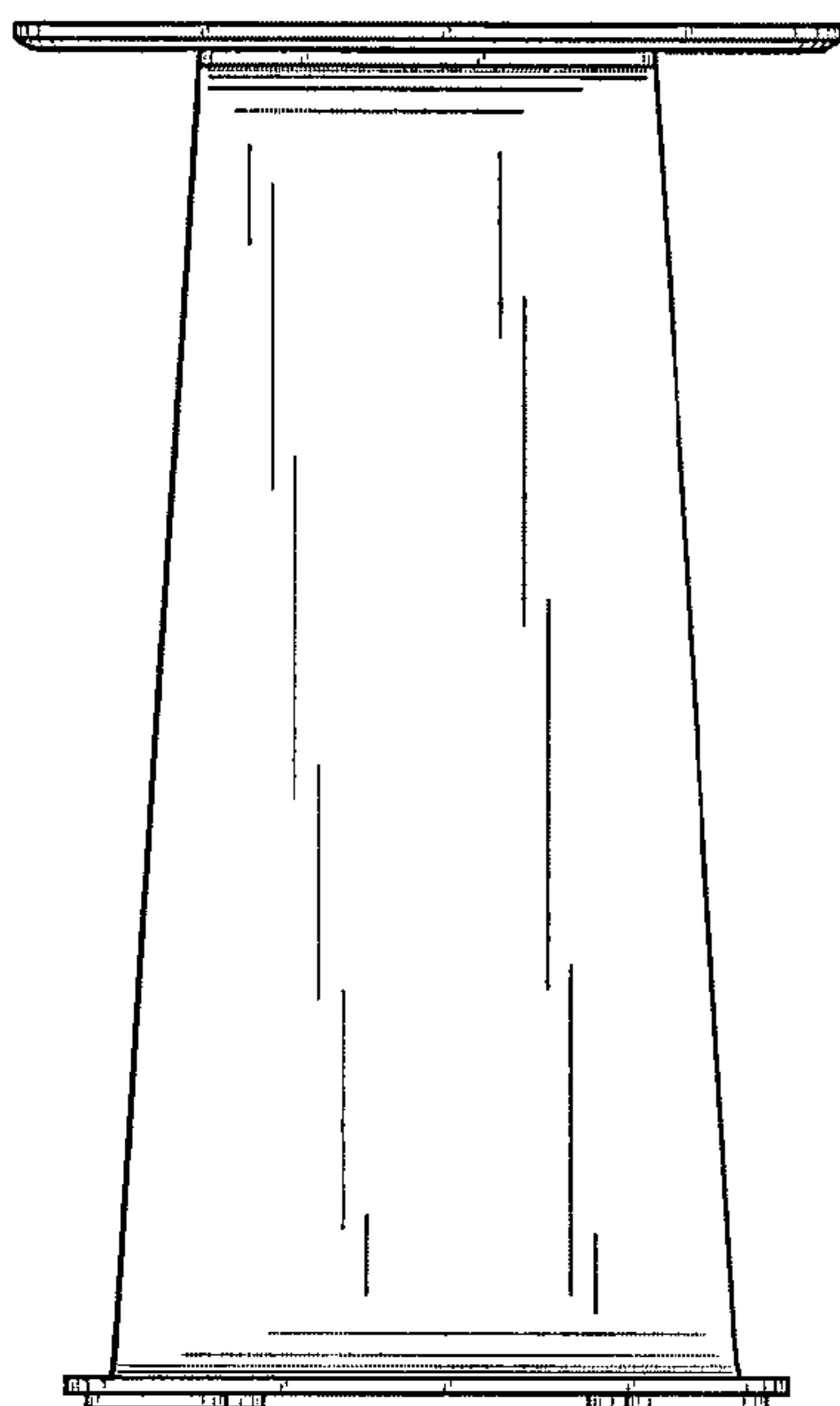


FIG. 6

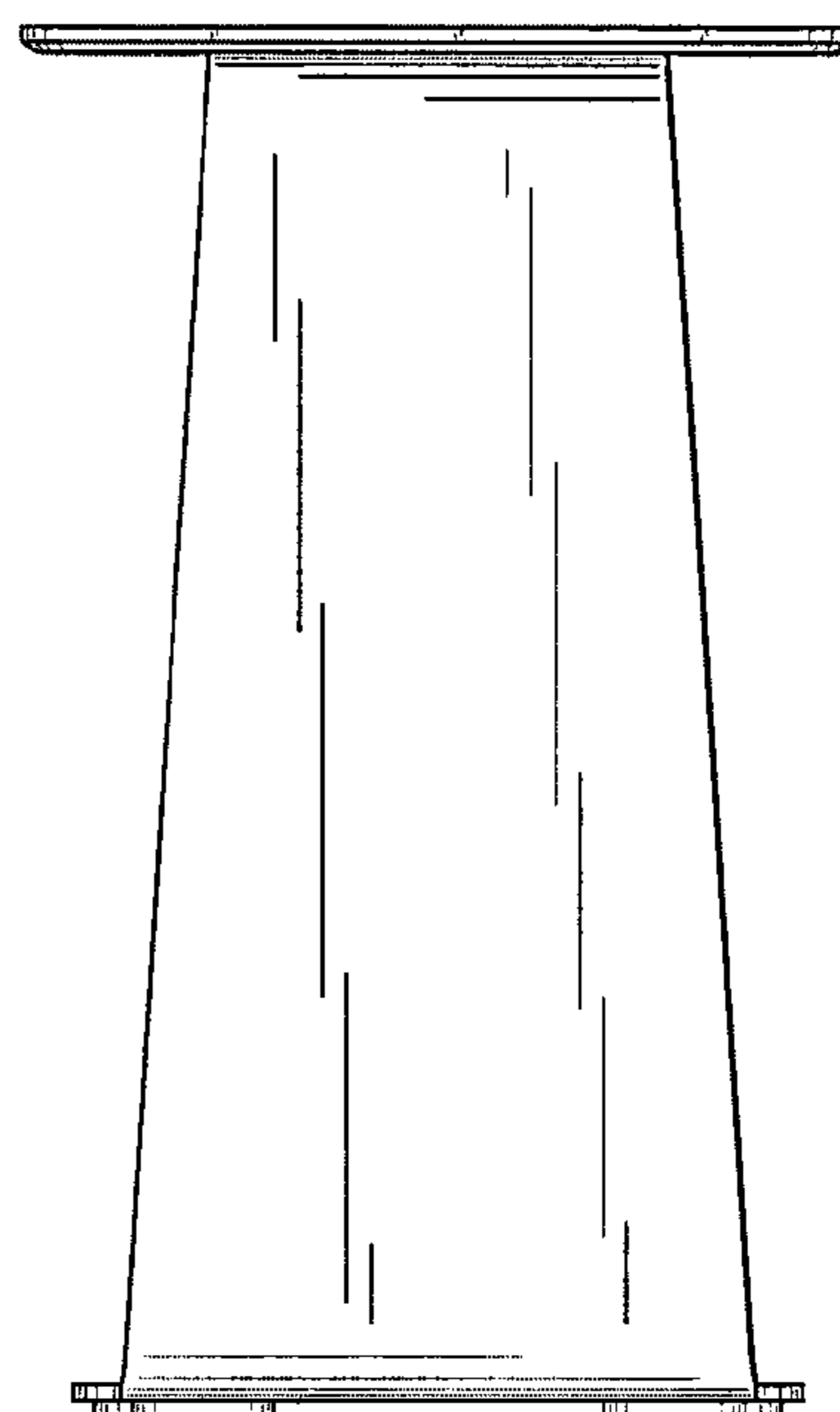


FIG. 7