



US00D731215S

(12) **United States Design Patent**  
**Cochran**

(10) **Patent No.:** **US D731,215 S**  
(45) **Date of Patent:** **\*\* Jun. 9, 2015**

(54) **TABLE**

(71) Applicant: **Gifford W. Cochran**, Bozeman, MT  
(US)

(72) Inventor: **Gifford W. Cochran**, Bozeman, MT  
(US)

(\*\*) Term: **14 Years**

(21) Appl. No.: **29/466,535**

(22) Filed: **Sep. 9, 2013**

(51) **LOC (10) Cl.** ..... **06-03**

(52) **U.S. Cl.**  
USPC ..... **D6/690**

(58) **Field of Classification Search**

USPC ..... D6/691, 691.1, 691.2, 691.4, 691.8,  
D6/690; 108/157.14, 150, 153.1, 155, 156,  
108/157.1, 161, 174; 312/259; 248/188,  
248/188.1, 188.8  
CPC . A47F 5/112; A47F 5/118; A47B 2220/0086;  
A47B 43/02

See application file for complete search history.

(56) **References Cited**

U.S. PATENT DOCUMENTS

709,171	A *	9/1902	Hussbaumer	108/166
1,072,060	A *	9/1913	Thompson	108/150
1,089,289	A *	3/1914	Thompson	108/150
1,903,631	A *	4/1933	Morrison	108/150
2,570,634	A *	10/1951	Bartschy	108/104
D287,798	S *	1/1987	Venturi	D6/498
D562,036	S *	2/2008	Roberts	D6/495

\* cited by examiner

*Primary Examiner* — Janice Seeger

(74) *Attorney, Agent, or Firm* — CIONCA Law Group P.C.;  
Marin Cionca

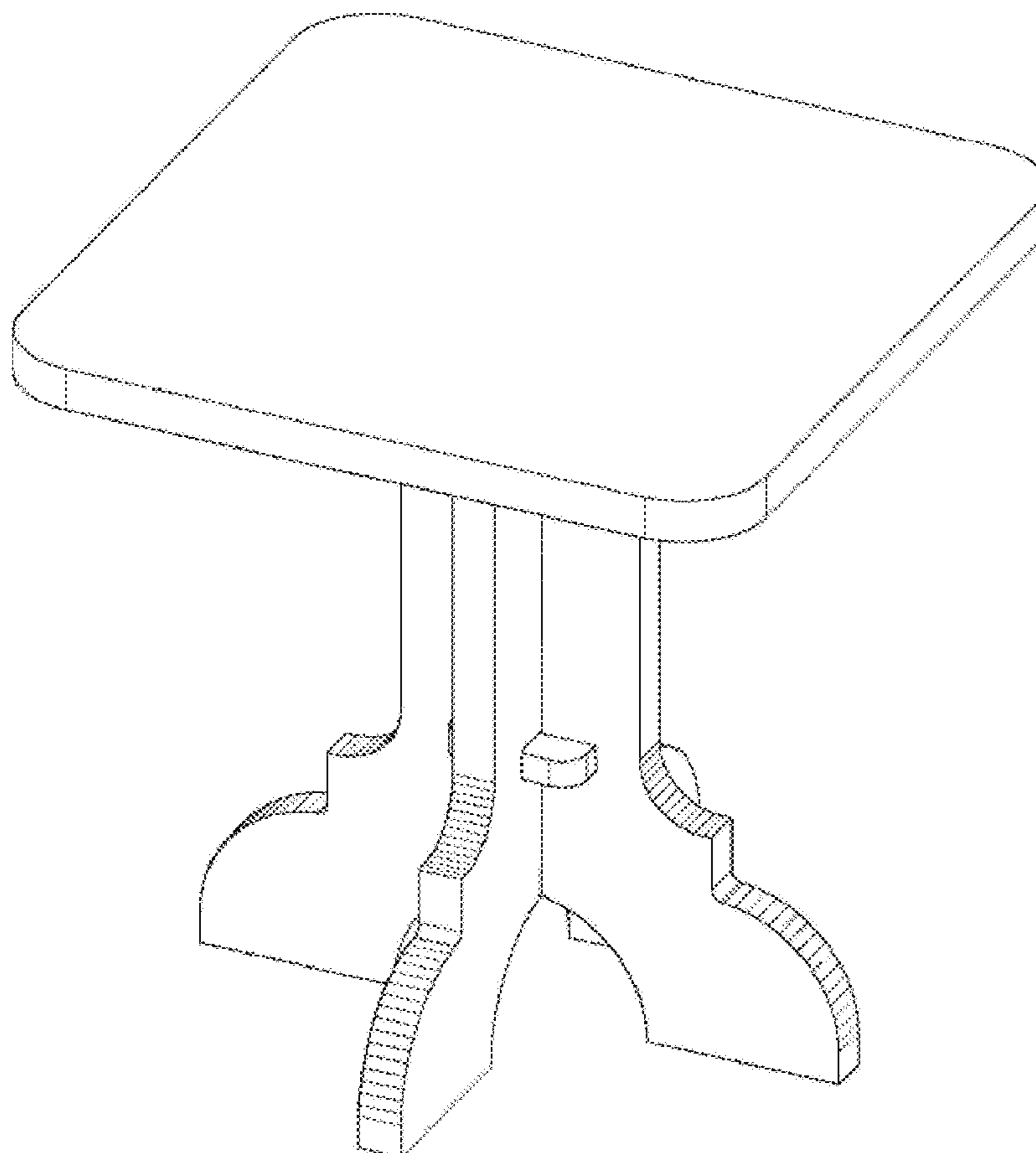
(57) **CLAIM**

The ornamental design for a table, substantially as shown.

**DESCRIPTION**

FIG. 1 is an isometric top view of the table showing the new design;  
FIG. 2 is a top view thereof;  
FIG. 3 is a front view thereof;  
FIG. 4 is a left side view thereof;  
FIG. 5 is a right side view thereof;  
FIG. 6 is an isometric bottom view thereof; and,  
FIG. 7 is a bottom view thereof.

**1 Claim, 7 Drawing Sheets**



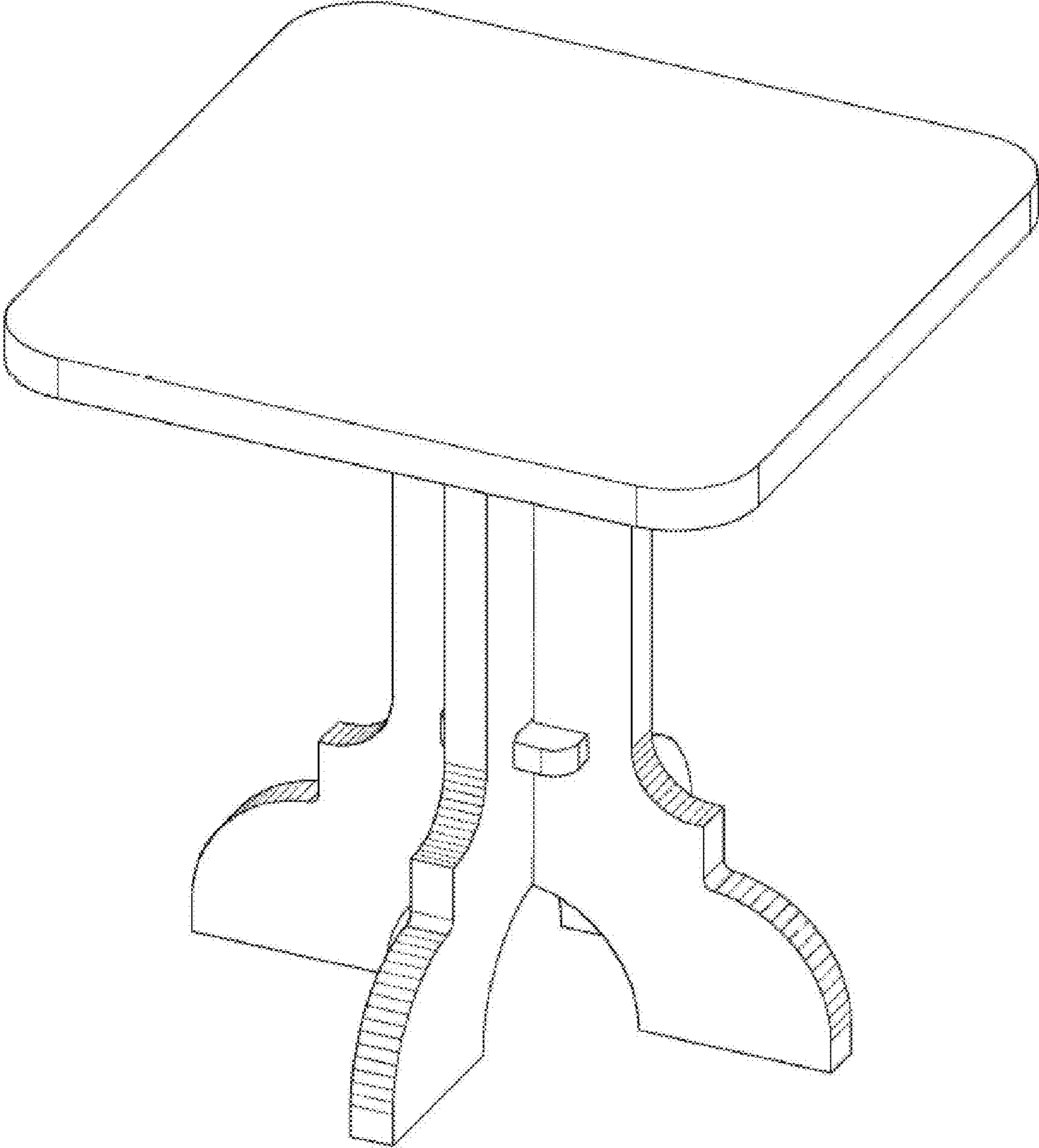
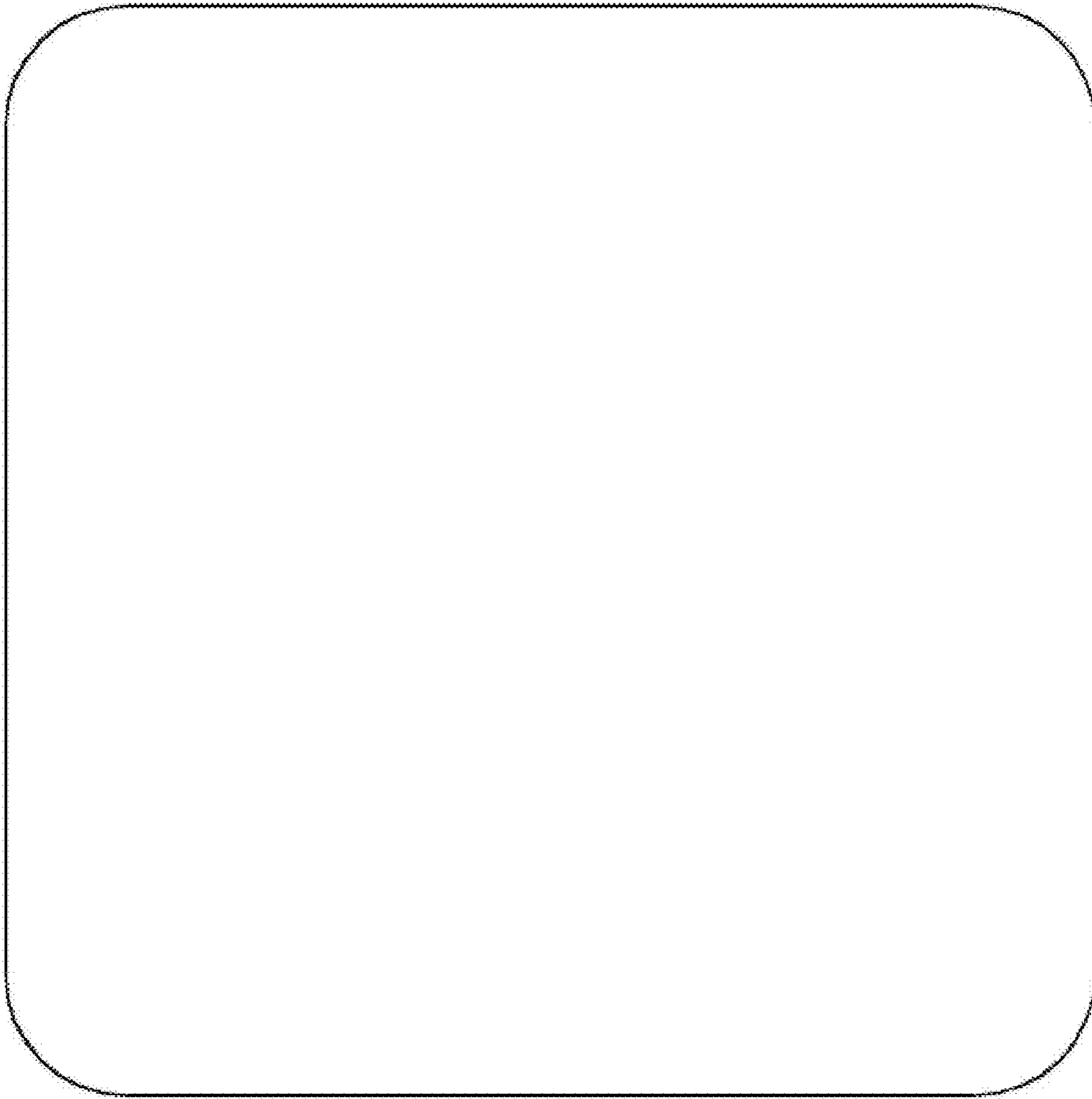


FIG. 1



**FIG. 2**

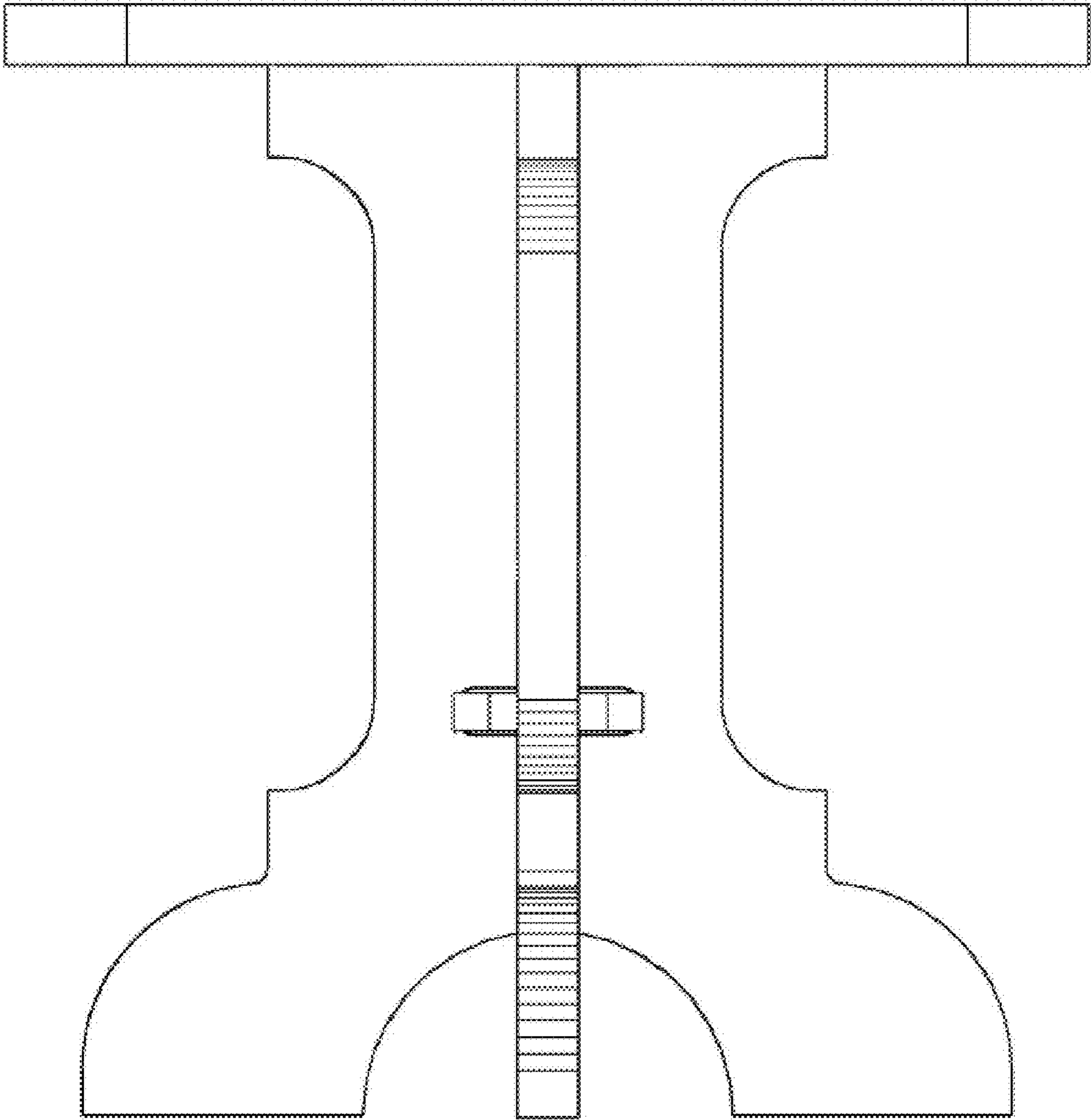


FIG. 3

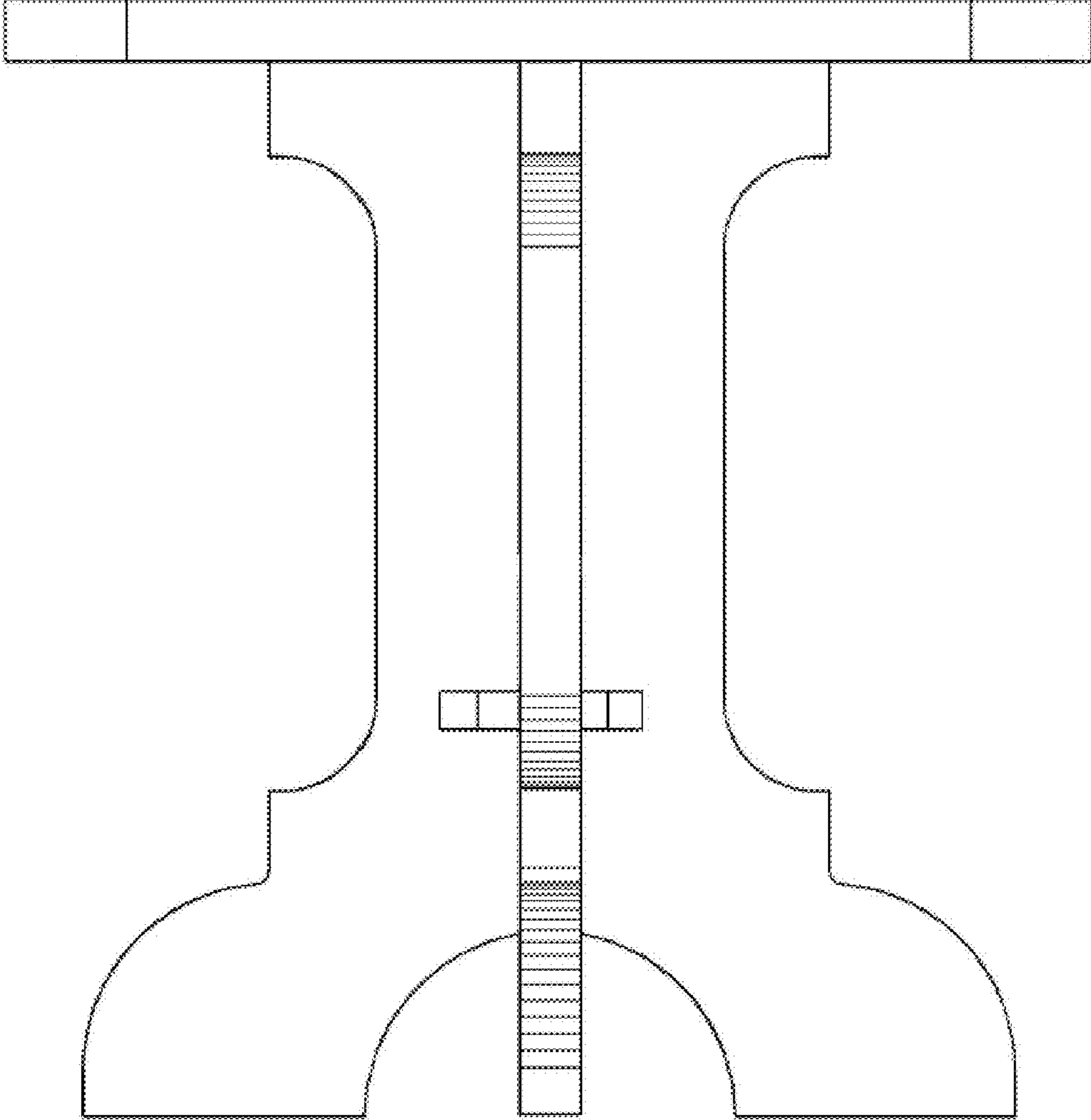


FIG. 4

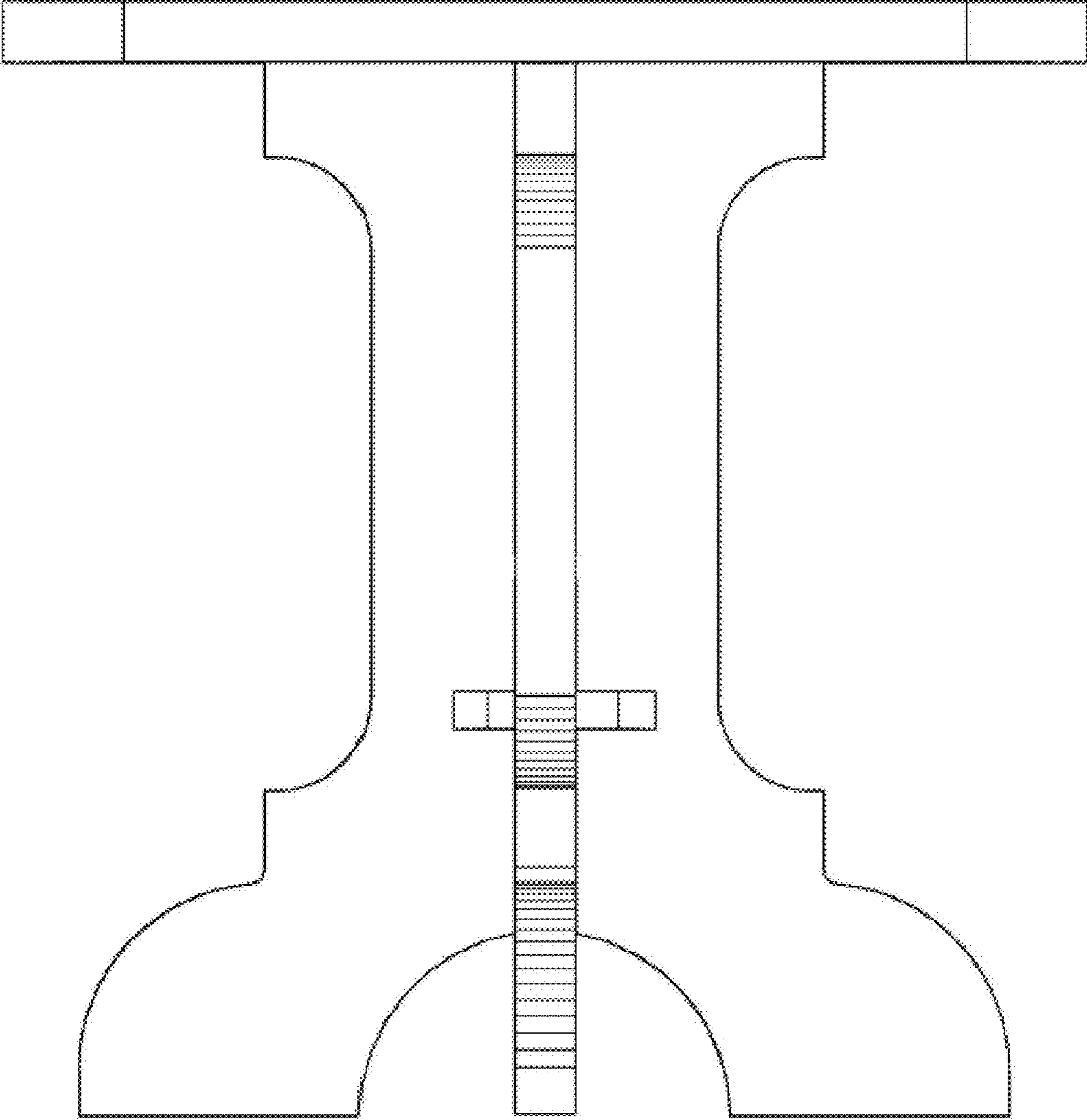


FIG. 5

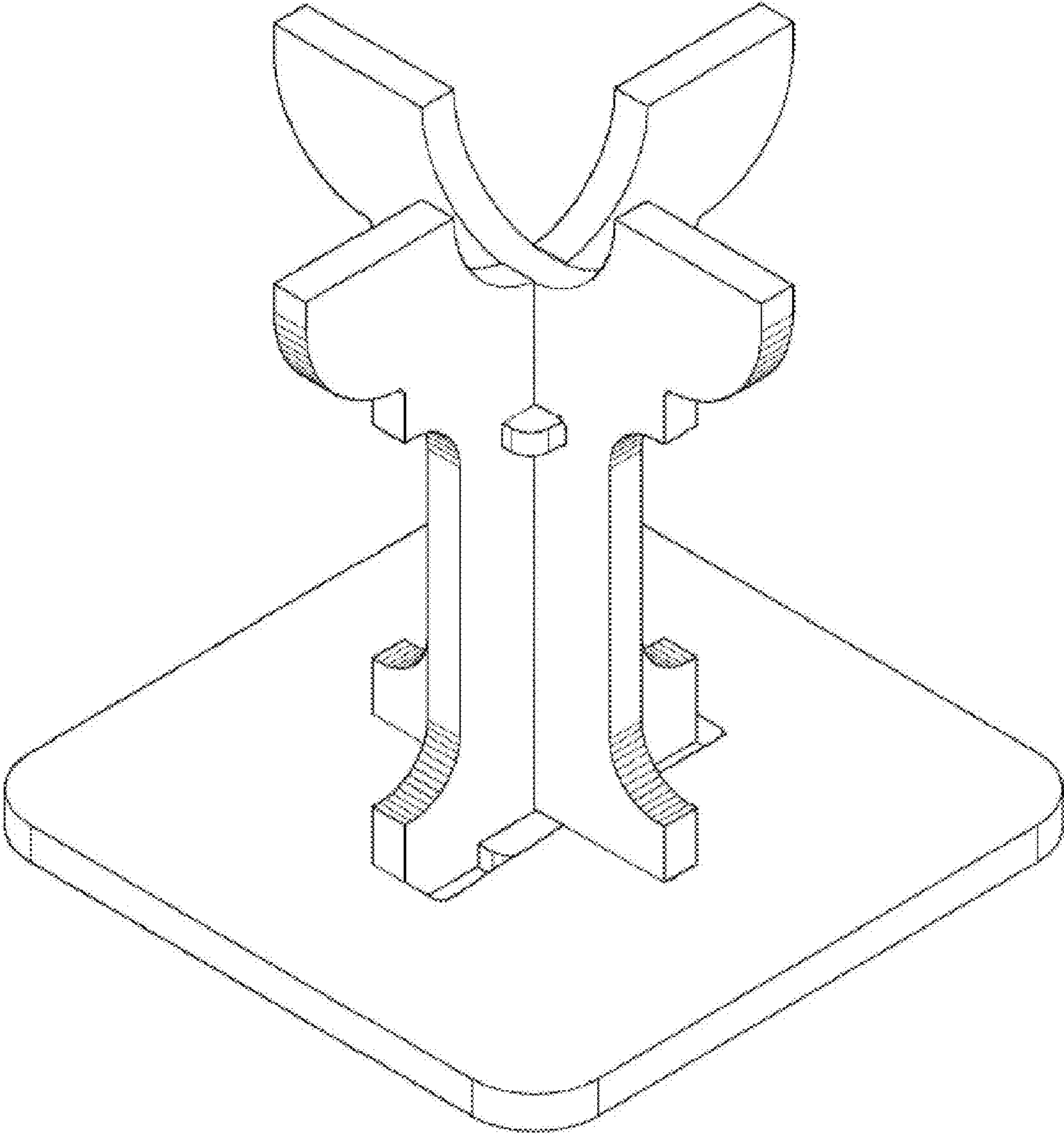


FIG. 6

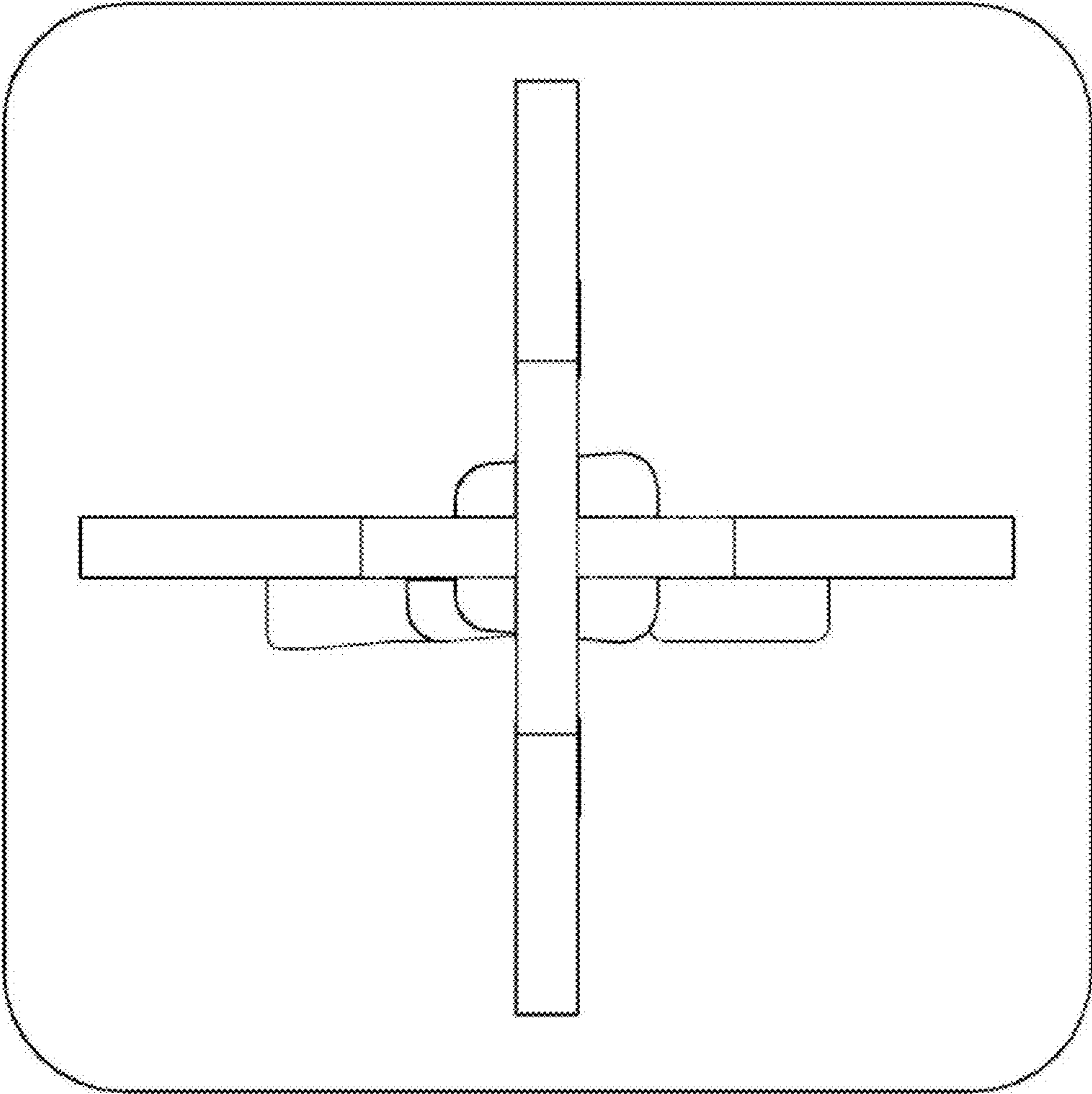


FIG. 7