

US00D731213S

(12) **United States Design Patent**
Williamson

(10) **Patent No.:** **US D731,213 S**
(45) **Date of Patent:** **** Jun. 9, 2015**

(54) **INSIDE CORNER SHELF**

(71) Applicant: **David Williamson**, Fayetteville, AR
(US)

(72) Inventor: **David Williamson**, Fayetteville, AR
(US)

(**) Term: **14 Years**

(21) Appl. No.: **29/488,519**

(22) Filed: **Apr. 21, 2014**

(51) **LOC (10) Cl.** **06-04**

(52) **U.S. Cl.**
USPC **D6/678; D8/381**

(58) **Field of Classification Search**

USPC D8/381, 280, 382, 354, 366, 353, 363,
D8/356, 373, 376, 377, 71, 106, 349, 355,
D8/396; 248/200, 243, 347, 251, 237, 235,
248/248, 249, 250, 300, 544, 588, 242, 314,
248/267, 265, 207; 108/152, 108, 137, 42;
174/68.1, 73.1, 57, 48, 135; 52/687,
52/686, 506.07, 506.06, 426; D6/572,
D6/574, 555, 705.6, 566, 549, 678;
D25/121, 164, 126, 61, 55, 48.2, 48.3,
D25/48.7, 119; 211/134; 482/16, 32;
160/381, 371, 369; 16/225
CPC E06B 2009/527; E06B 2003/7096;
E06B 3/9641; E06B 5/00; E04B 2002/7479;
E04B 2002/7483; A47B 2096/207; B25B
27/0092; E05D 15/0691; F16B 12/02

See application file for complete search history.

(56) **References Cited**

U.S. PATENT DOCUMENTS

D391,106	S	*	2/1998	Camilo	D6/562
5,924,259	A	*	7/1999	Marousek	52/656.1
6,591,762	B1	*	7/2003	Haghayegh	108/42
7,621,223	B2	*	11/2009	Haghayegh	108/42
D682,079	S	*	5/2013	Chou	D8/380
D693,151	S	*	11/2013	Schweikarth et al.	D6/648.1

* cited by examiner

Primary Examiner — Robert M Spear

Assistant Examiner — Eliza Bennett-Hattan

(74) *Attorney, Agent, or Firm* — Keisling & Pieper PLC;
David B. Pieper

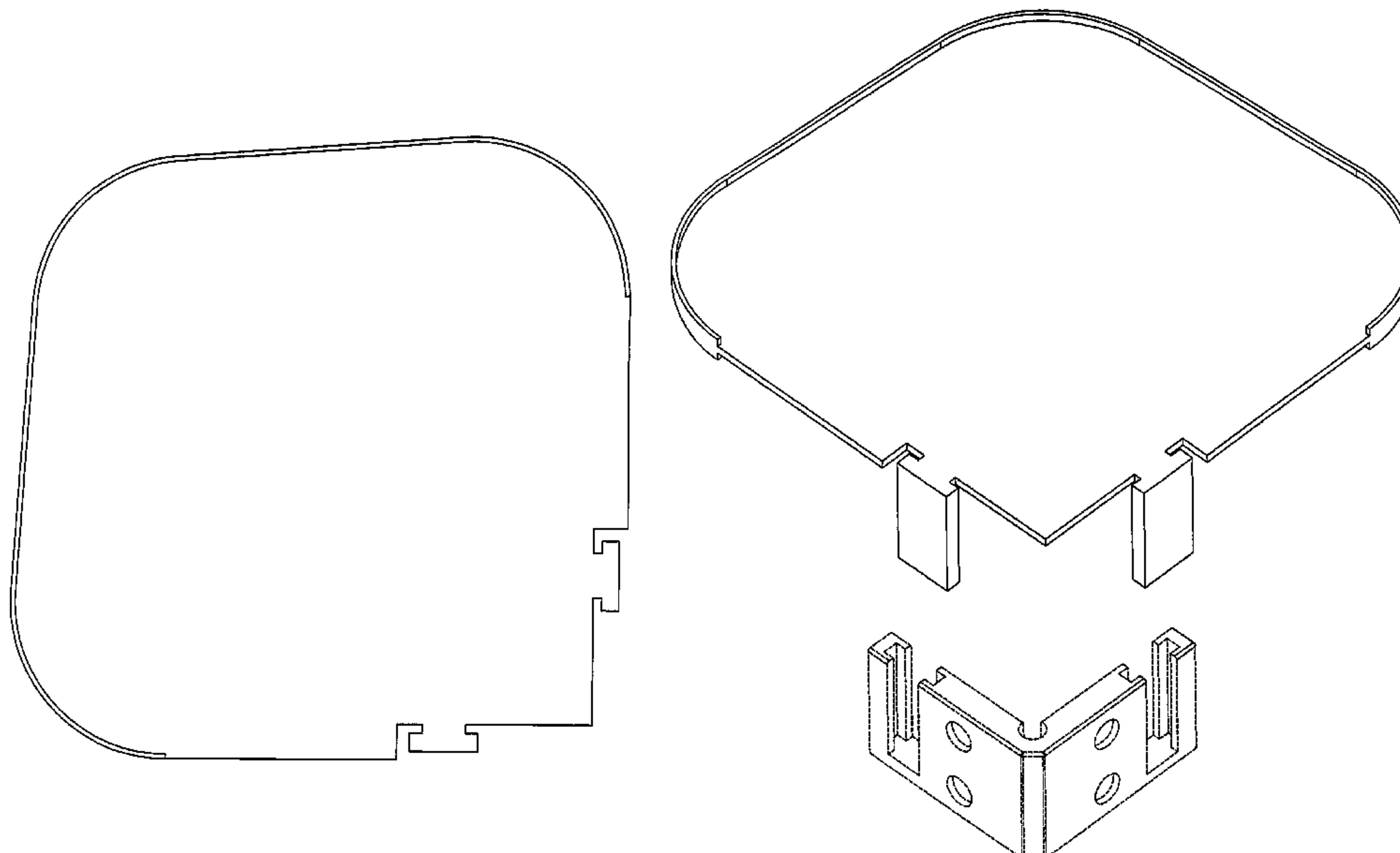
(57) **CLAIM**

The ornamental design for an inside corner shelf, as shown and described.

DESCRIPTION

FIG. 1 is a perspective view of an inside corner shelf showing my new design;
FIG. 2 is a top view thereof;
FIG. 3 is a left side view thereof;
FIG. 4 is a right side view thereof; and,
FIG. 5 is a front view thereof;
FIG. 6 is a back view thereof;
FIG. 7 is a bottom view thereof;
FIG. 8 is an environmental view thereof showing a corner bracket in an upright shelf unattached position;
FIG. 9 is an environmental view thereof showing a corner bracket in an upright shelf attached position;
FIG. 10 is an environmental view thereof showing a corner bracket in a reversed shelf attached position; and,
FIG. 11 is an environmental view thereof showing a corner bracket in a reversed shelf attached position.
Portions of the drawings shown in broken lines depicts environmental subject matter only and form no part of the claimed design.

1 Claim, 11 Drawing Sheets



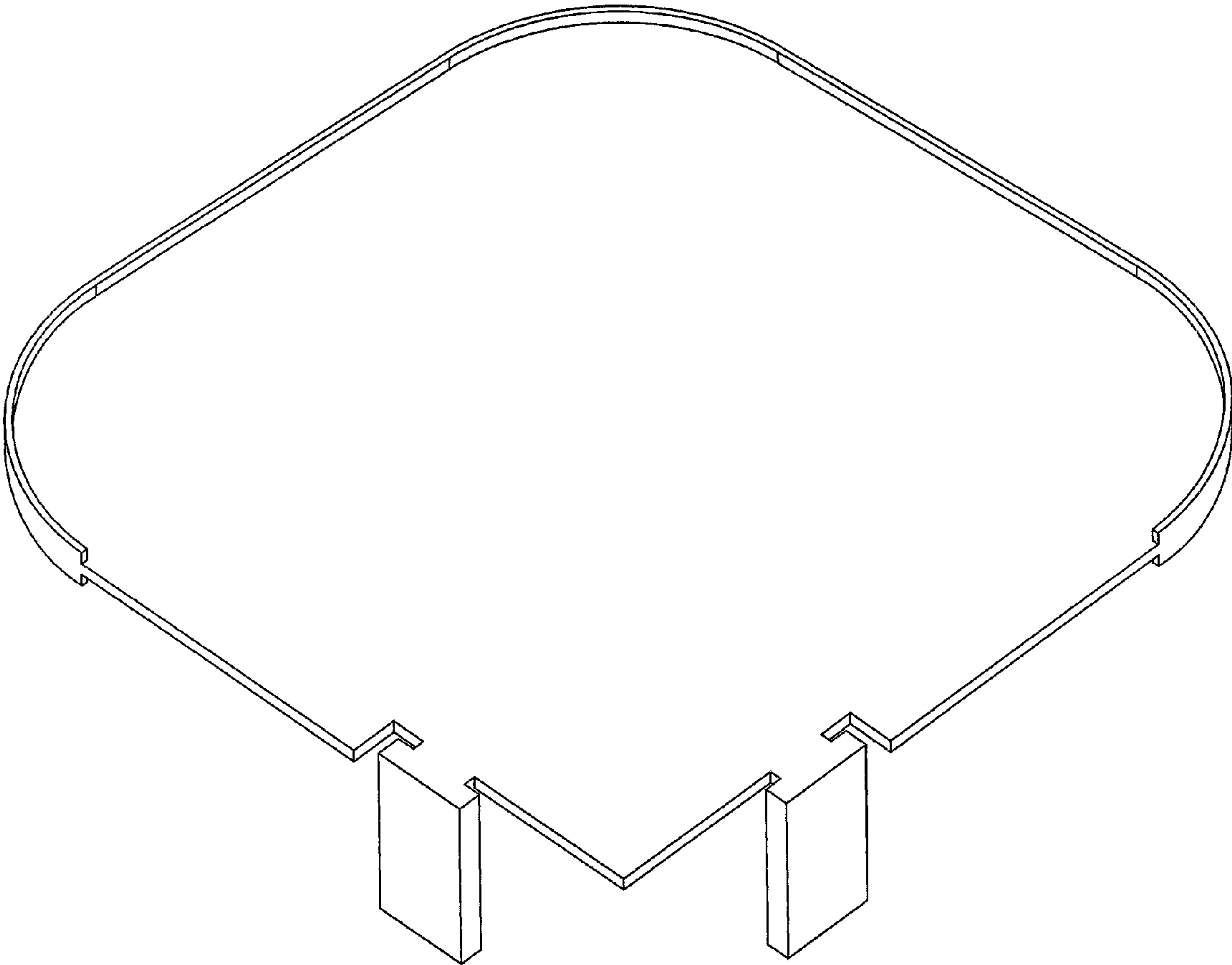


Figure 1

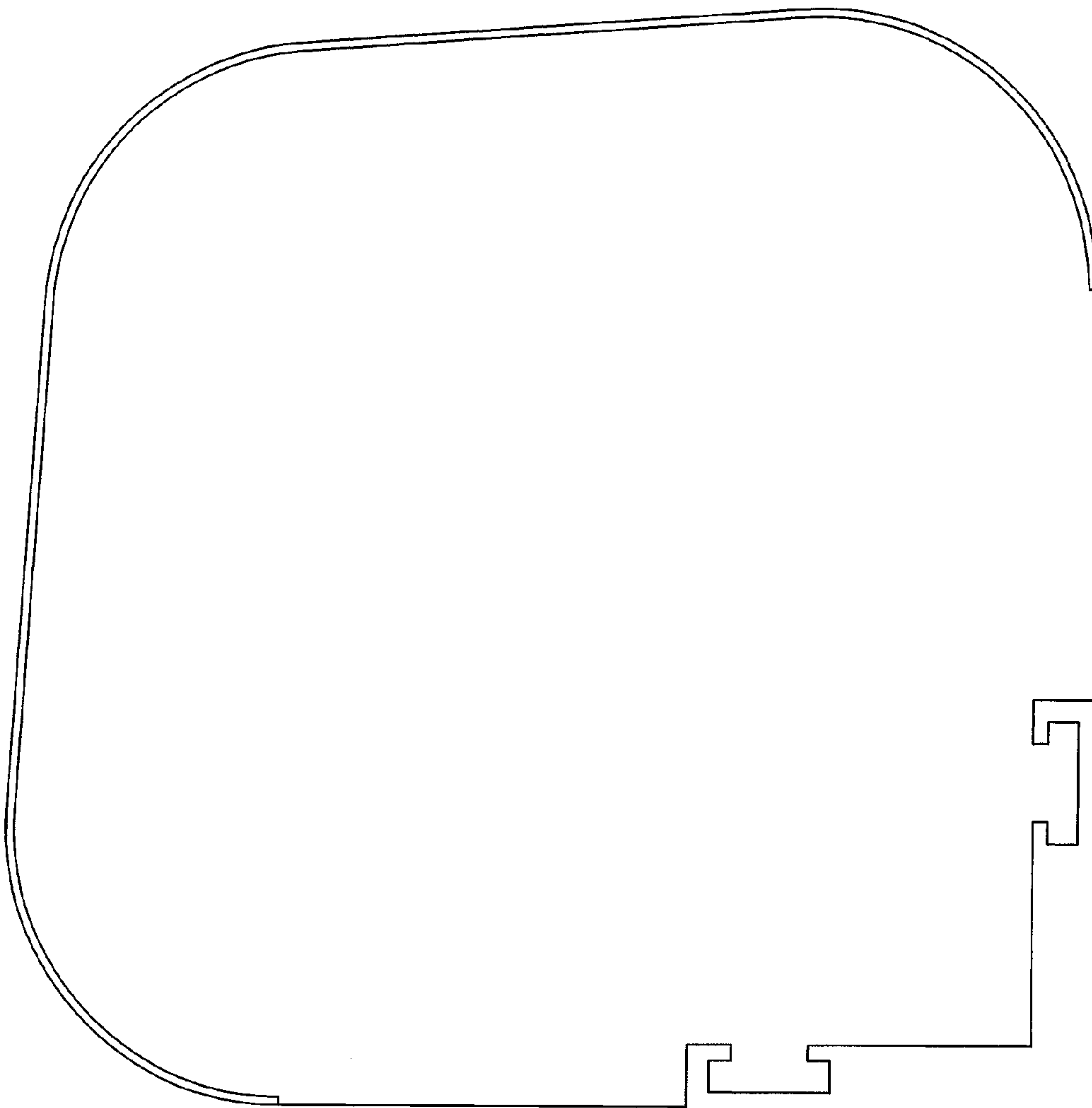


Figure 2

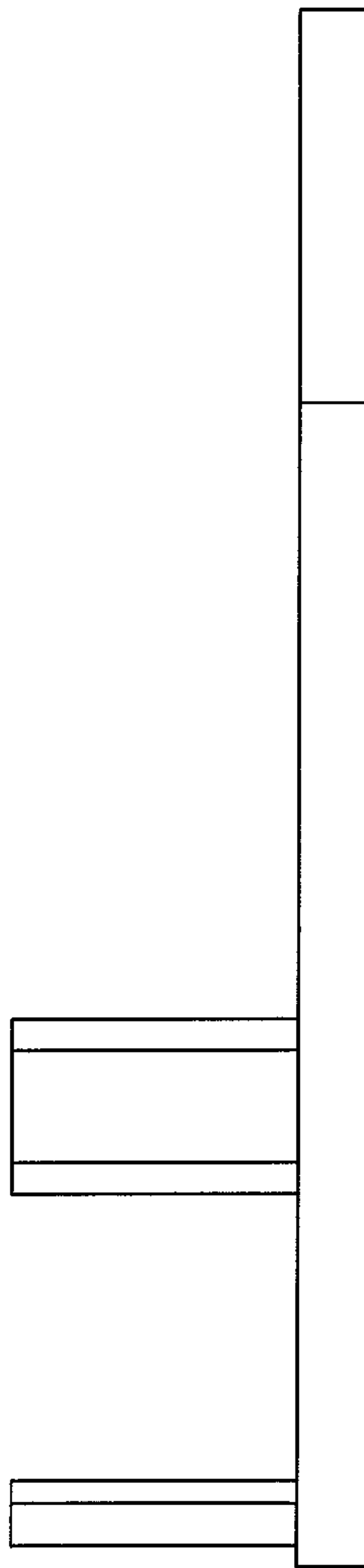


Figure 3

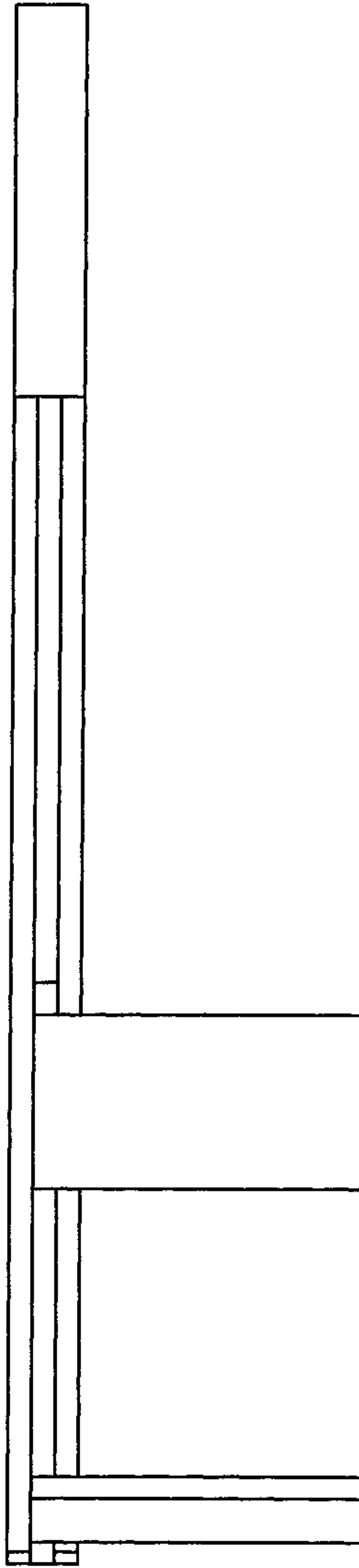


Figure 4

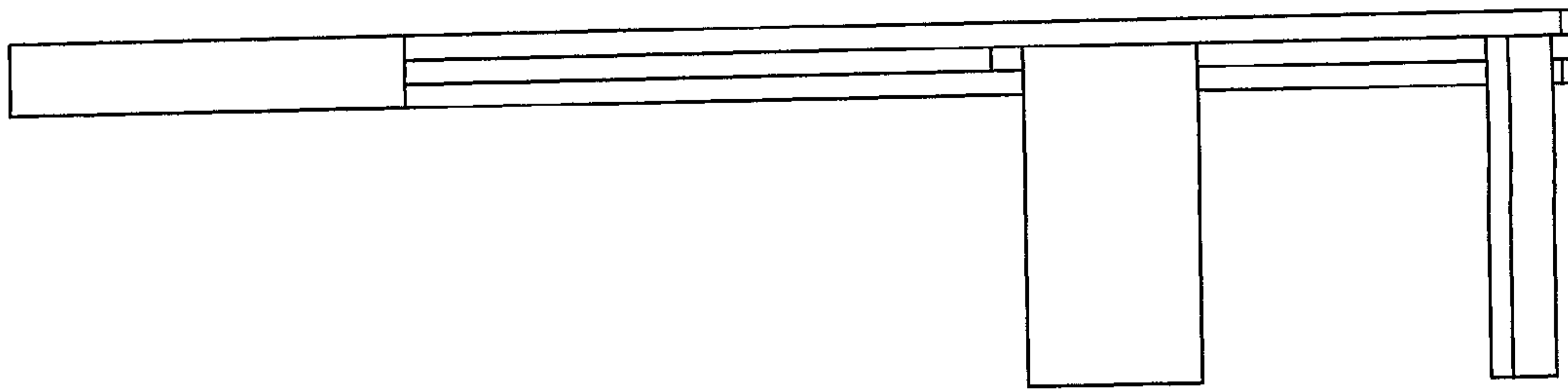


Figure 5

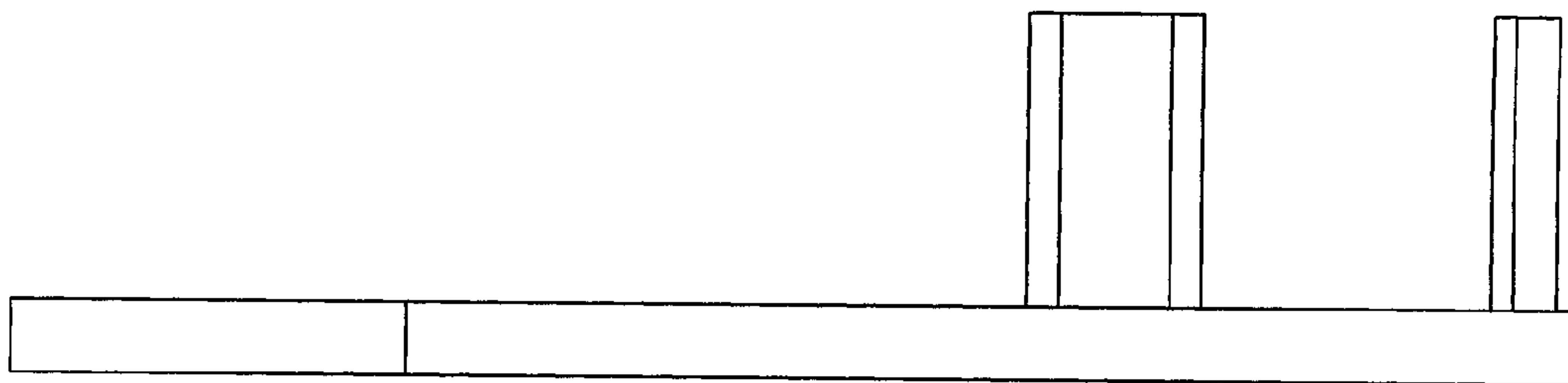


Figure 6

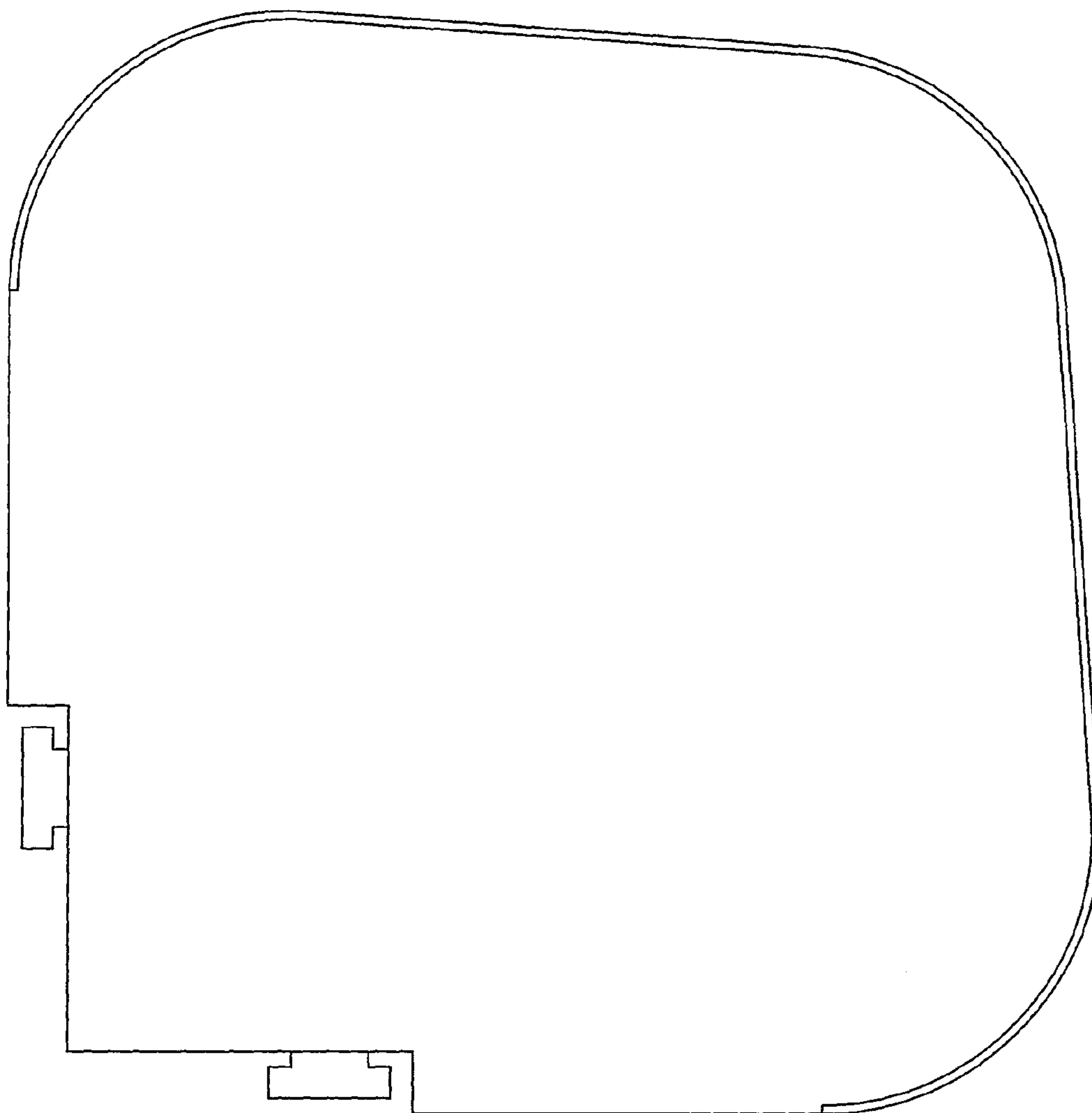


Figure 7

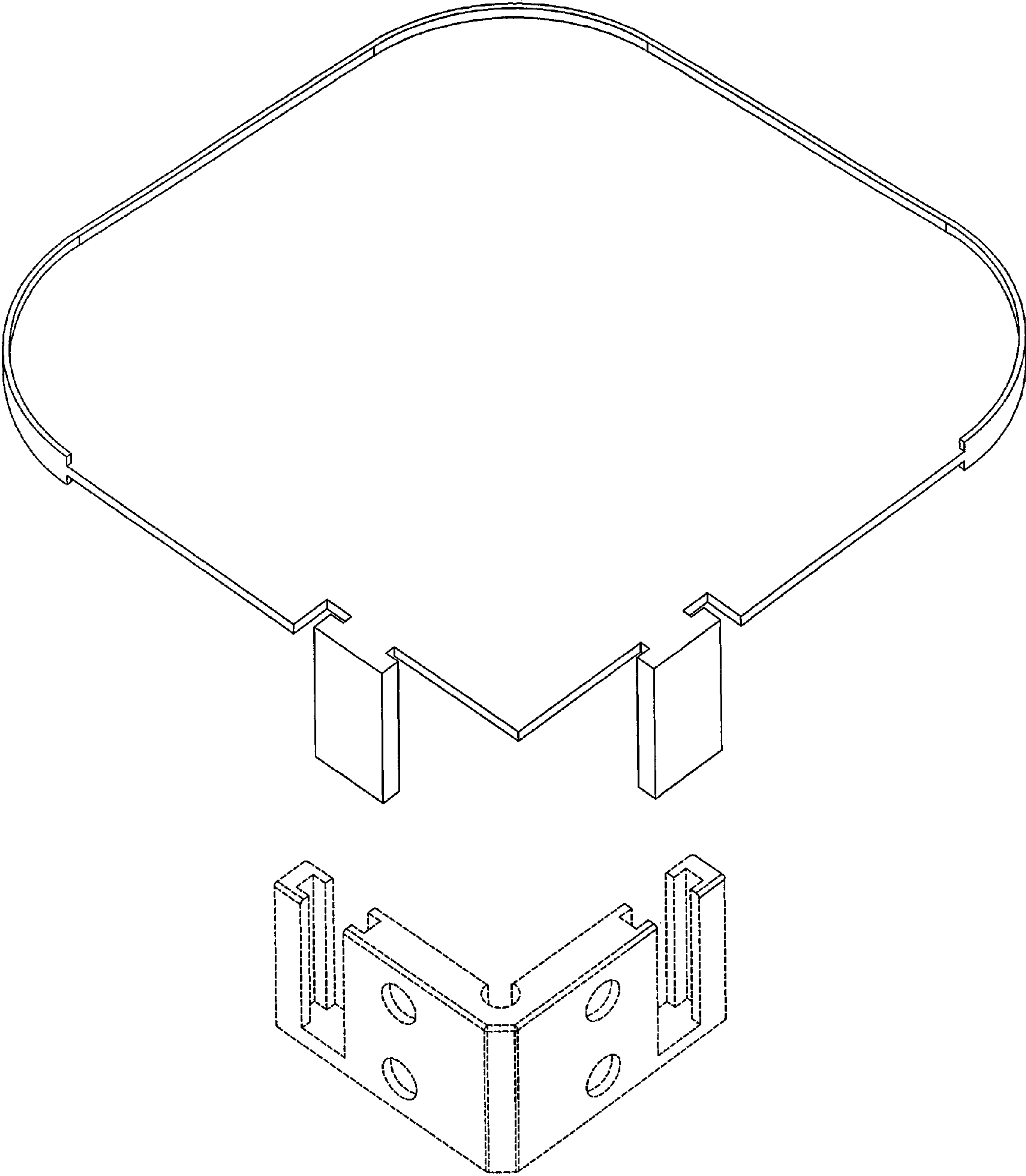


Figure 8

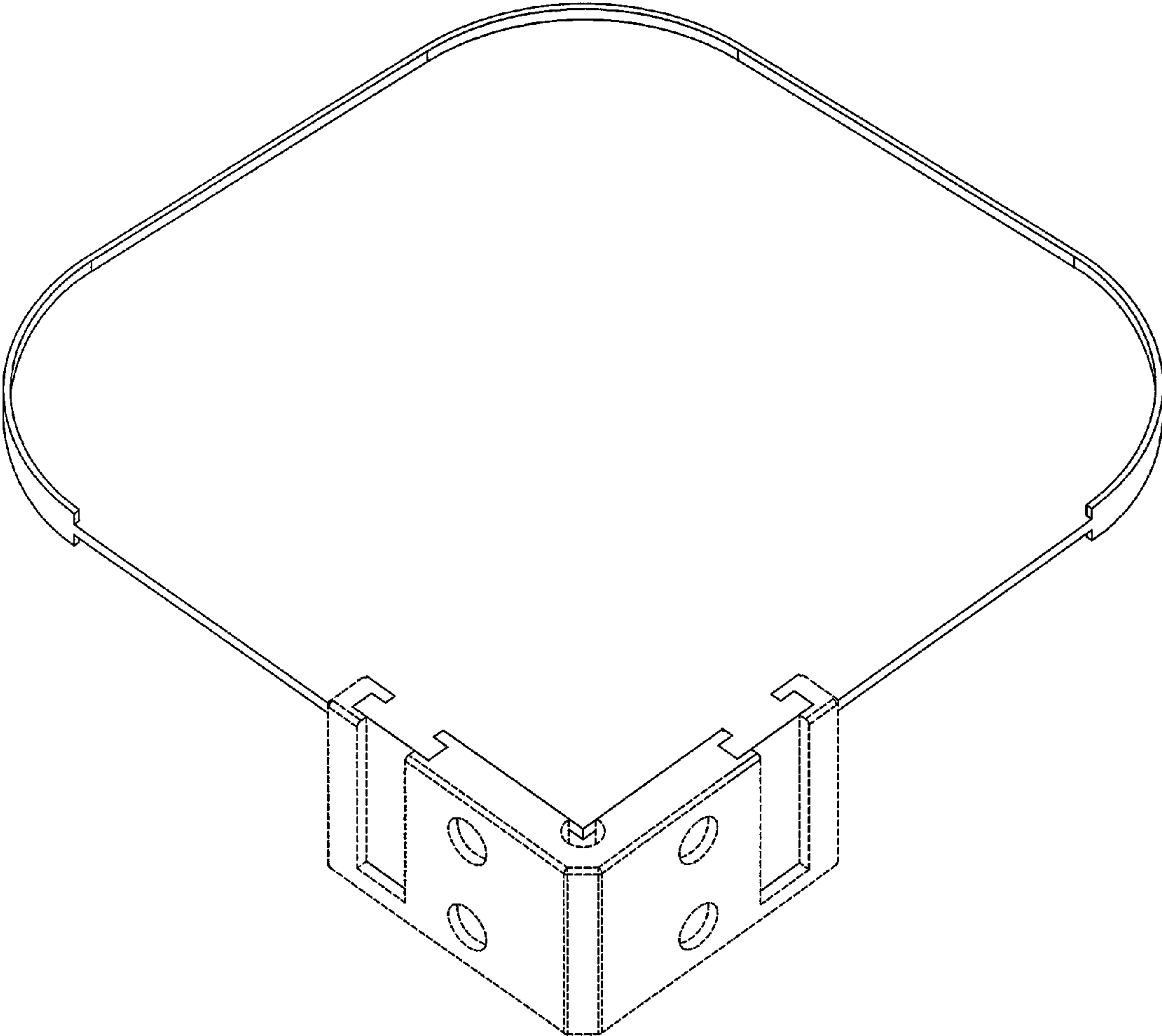


Figure 9

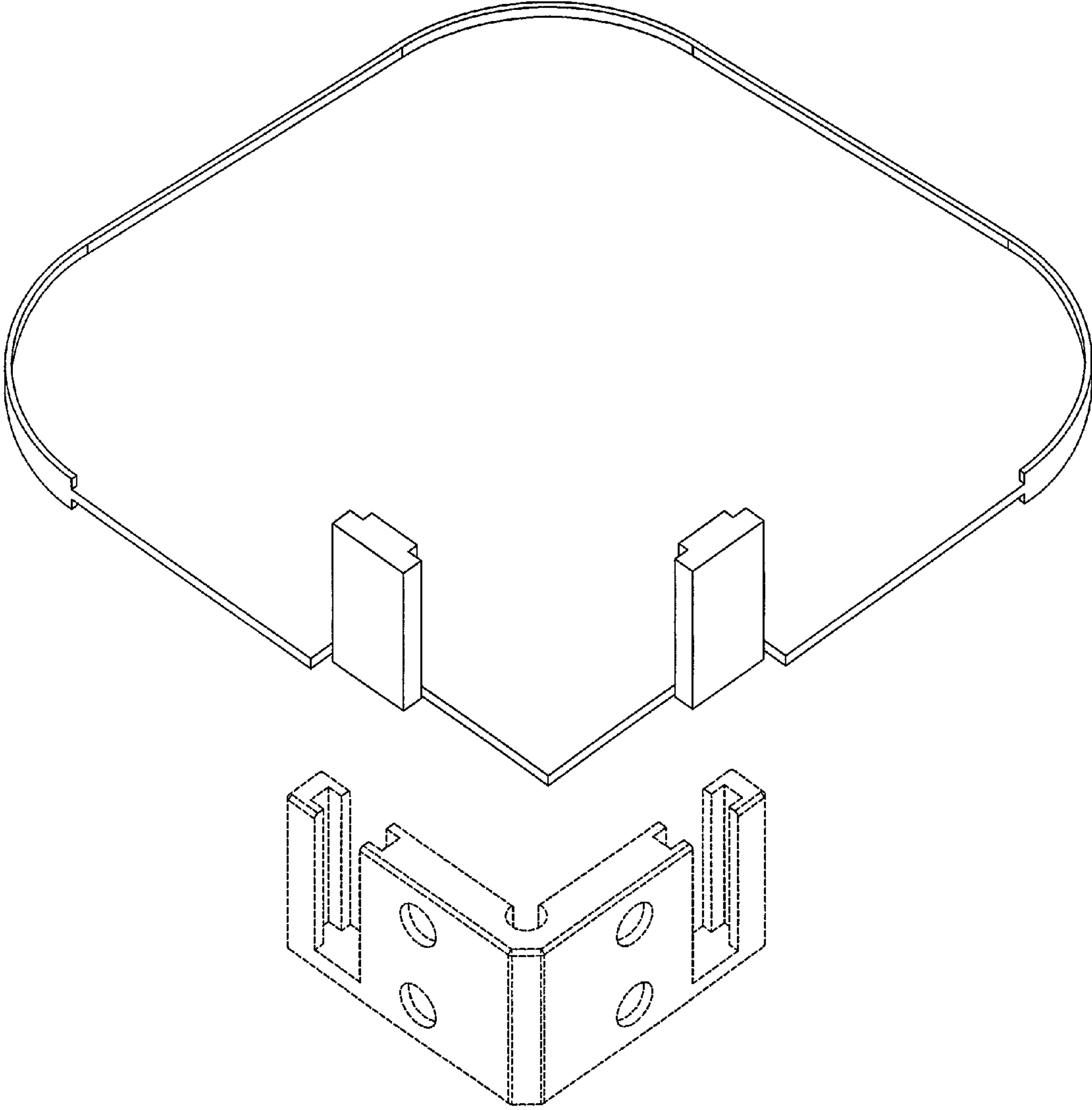


Figure 10

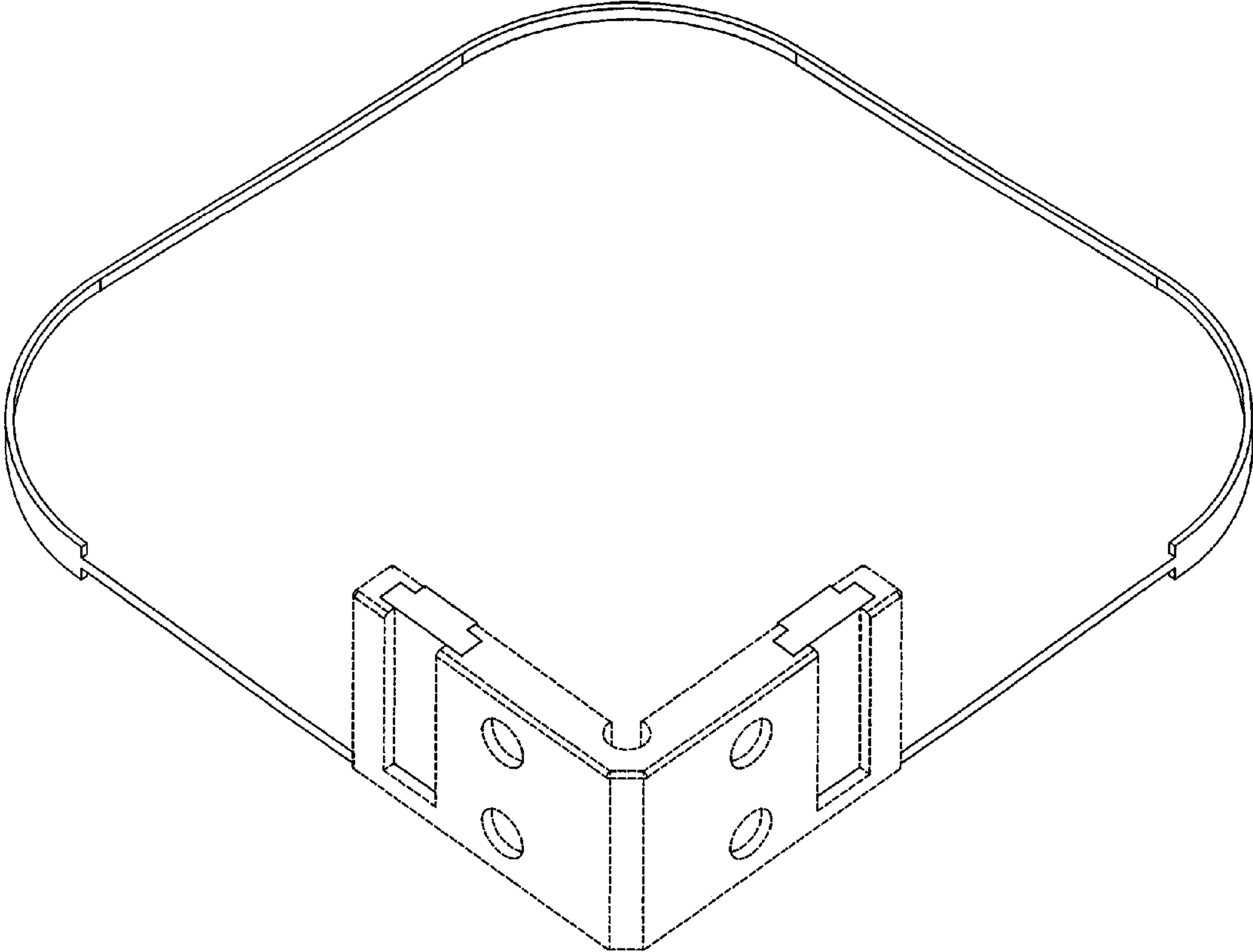


Figure 11