



US00D731210S

(12) **United States Design Patent**
Schwartz

(10) **Patent No.:** **US D731,210 S**
(45) **Date of Patent:** **** Jun. 9, 2015**

(54) **CHAIR COVER**

(71) Applicant: **Valerie Schwartz**, Philadelphia, PA (US)

(72) Inventor: **Valerie Schwartz**, Philadelphia, PA (US)

(**) Term: **14 Years**

(21) Appl. No.: **29/484,689**

(22) Filed: **Mar. 12, 2014**

(51) **LOC (10) Cl.** **06-13**

(52) **U.S. Cl.**
USPC **D6/611**

(58) **Field of Classification Search**
USPC D6/611, 610, 596, 601, 602, 603, 615,
D6/617, 621; D7/332, 334-337;
D12/401-405; 135/87, 88.01, 95;
150/165-167, 158, 154; 280/770;
296/136.01, 136.1, 136.11
See application file for complete search history.

(56) **References Cited**

U.S. PATENT DOCUMENTS

- 4,676,376 A * 6/1987 Keiswetter 206/494
- 5,150,945 A * 9/1992 Aupperlee et al. 297/184.13
- D610,855 S * 3/2010 Siklosi D6/611
- D624,343 S * 9/2010 Long D6/601
- D633,153 S * 2/2011 Holcomb et al. D21/333

- D680,360 S * 4/2013 Ogawa D6/611
- D716,585 S * 11/2014 Peterson D6/611
- 2010/0001565 A1* 1/2010 Gray et al. 297/229

* cited by examiner

Primary Examiner — Katrina A Betton

(57) **CLAIM**

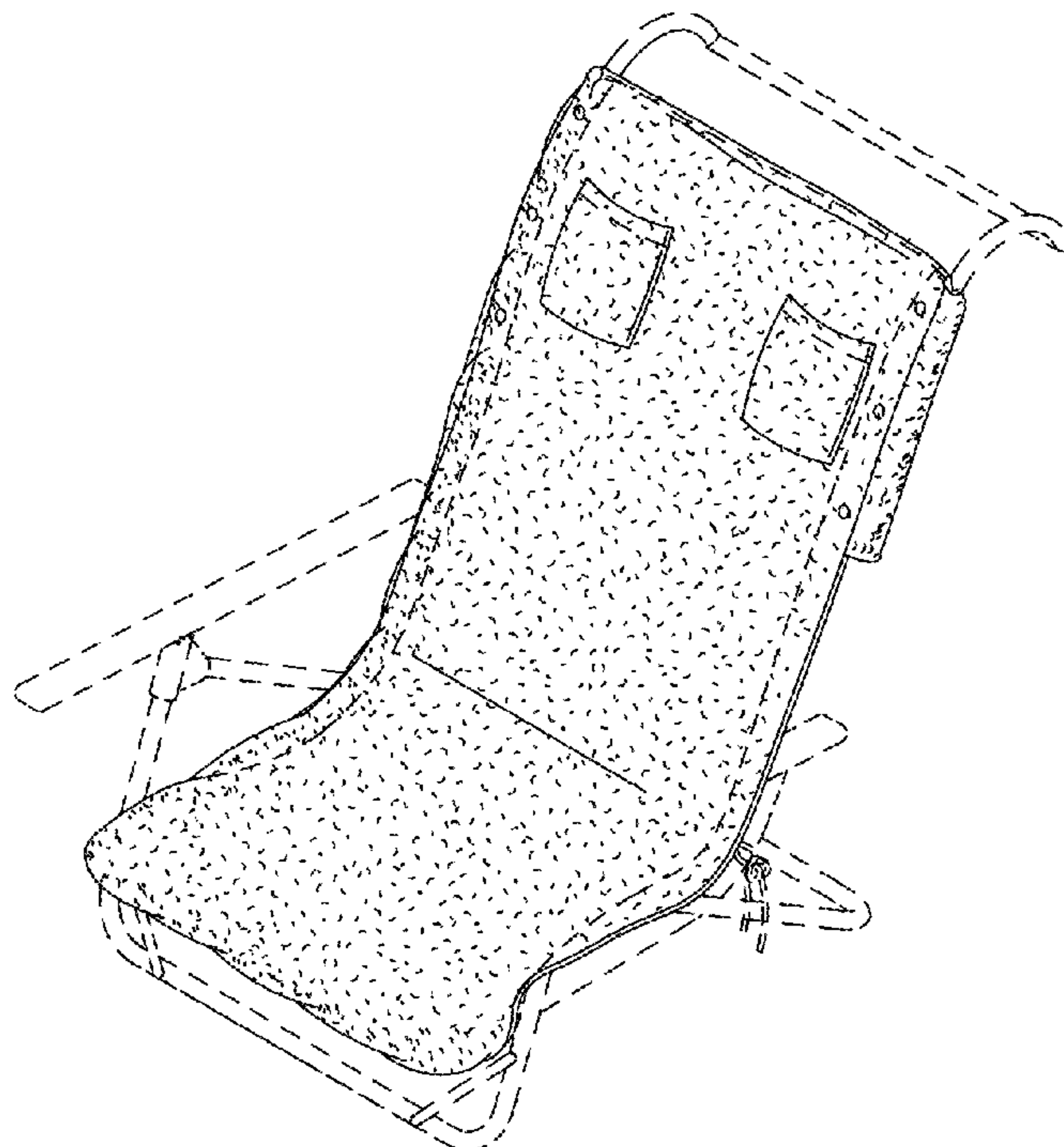
The ornamental design for a chair cover, as shown and described.

DESCRIPTION

FIG. 1 is a perspective front view of a chair cover, shown on a chair;
 FIG. 2 is a perspective rear view of a chair cover, shown on a chair;
 FIG. 3 is a perspective front view of a chair cover;
 FIG. 4 is a perspective bottom view of a chair cover;
 FIG. 5 is a top view of the chair cover;
 FIG. 6 is a front view of the chair cover;
 FIG. 7 is a bottom view of the chair cover;
 FIG. 8 is a right side view of the chair cover, the left side view being an identical image thereof; and,
 FIG. 9 is a back view of the chair cover.

The chair and attachment straps are shown in broken lines for illustrative purposes only and form no part of the claimed design.

1 Claim, 4 Drawing Sheets



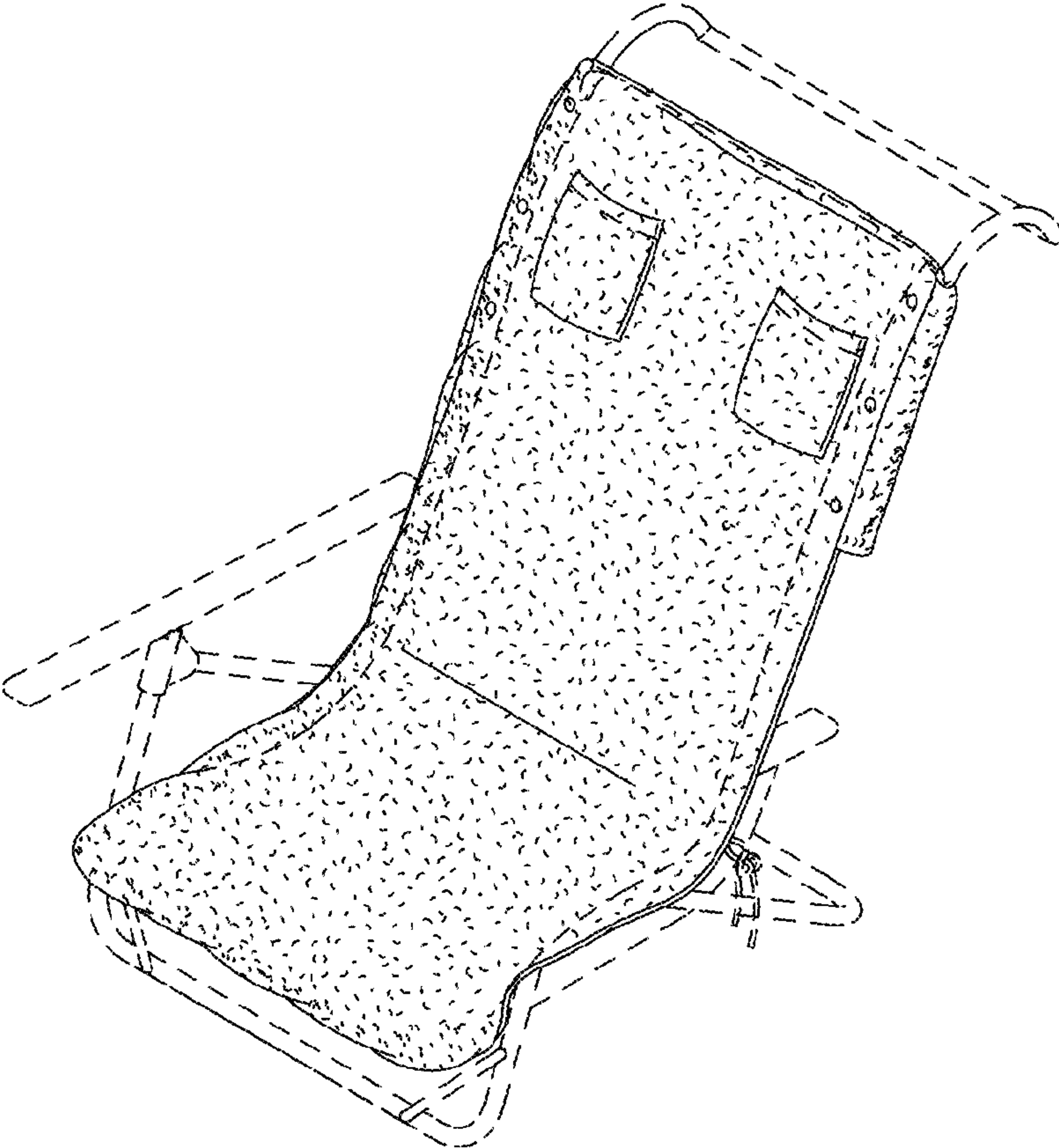


FIG.1

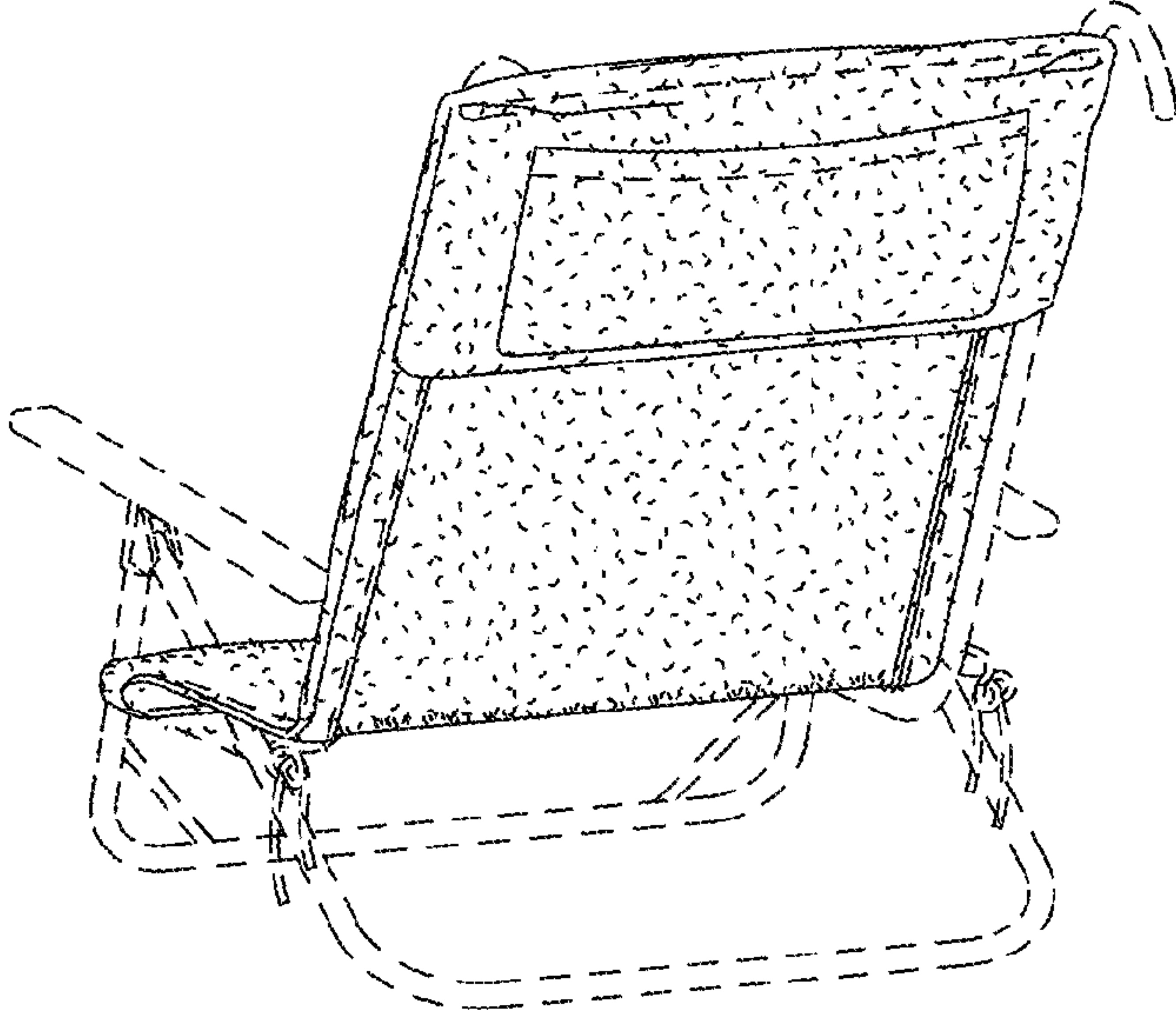


FIG.2

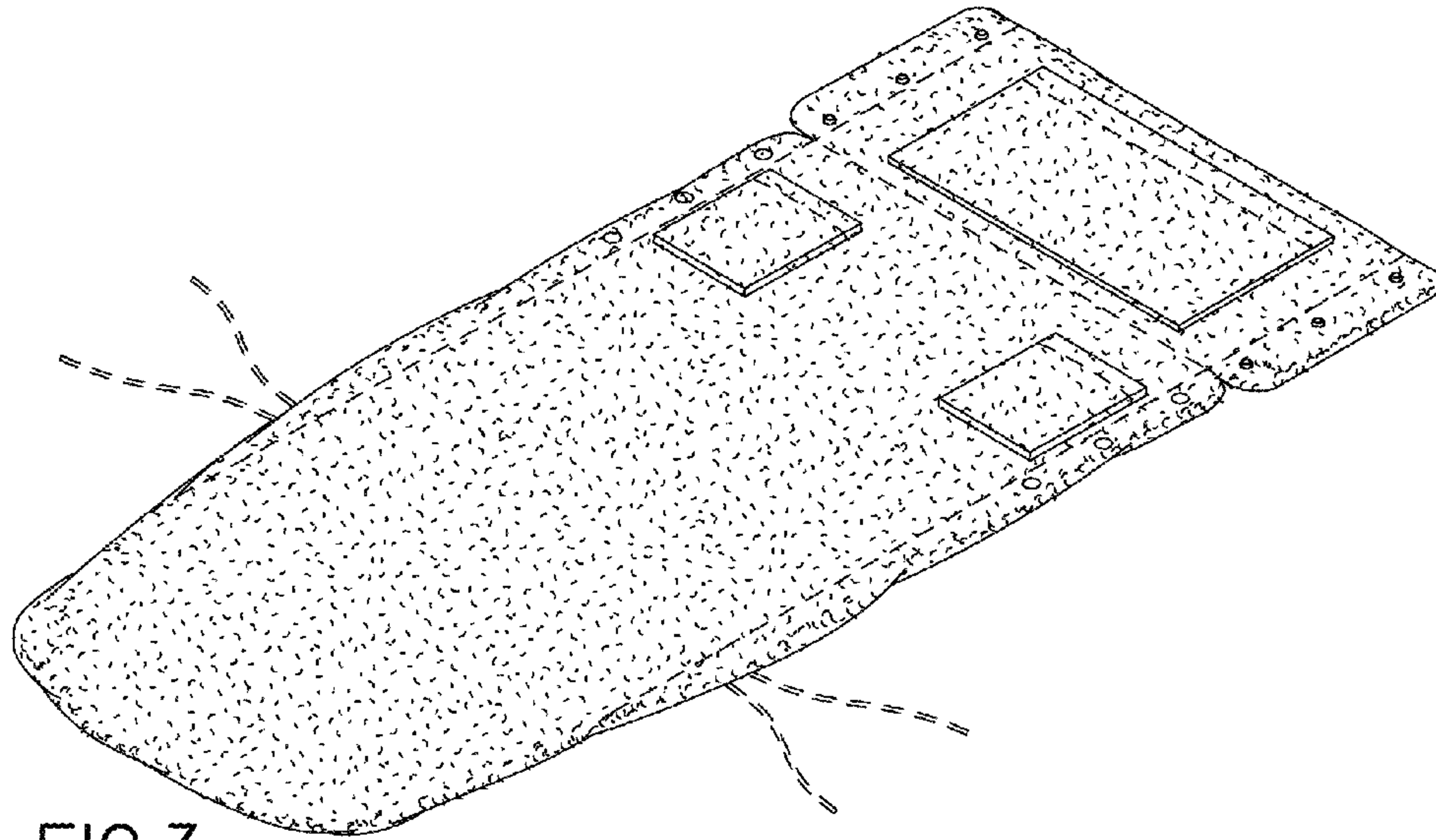


FIG. 3

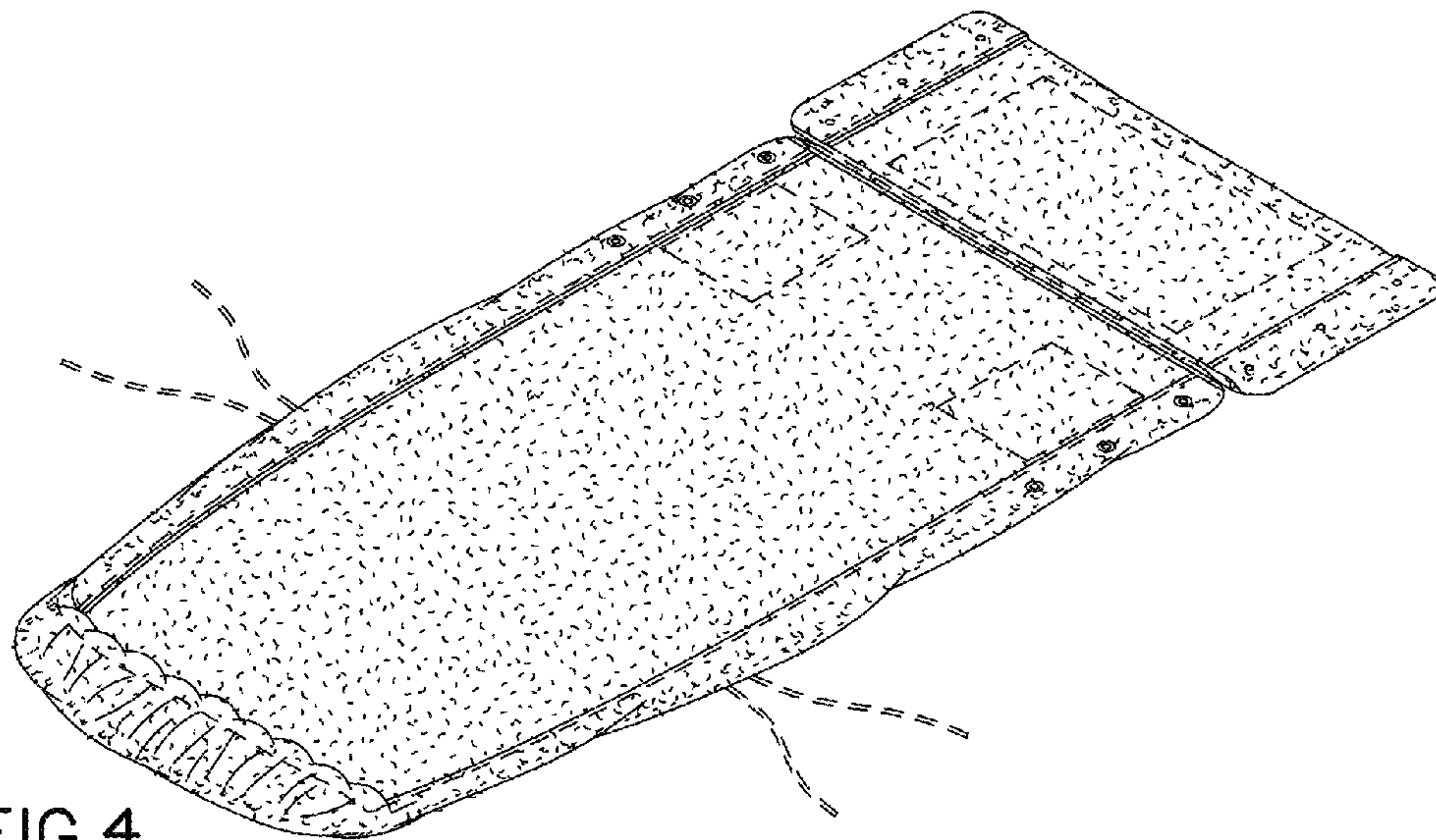


FIG. 4

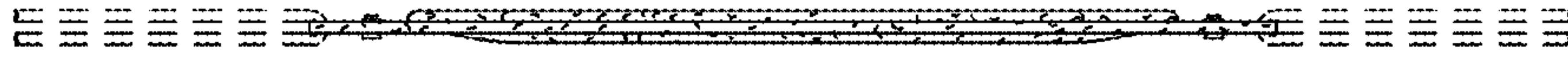


FIG.5

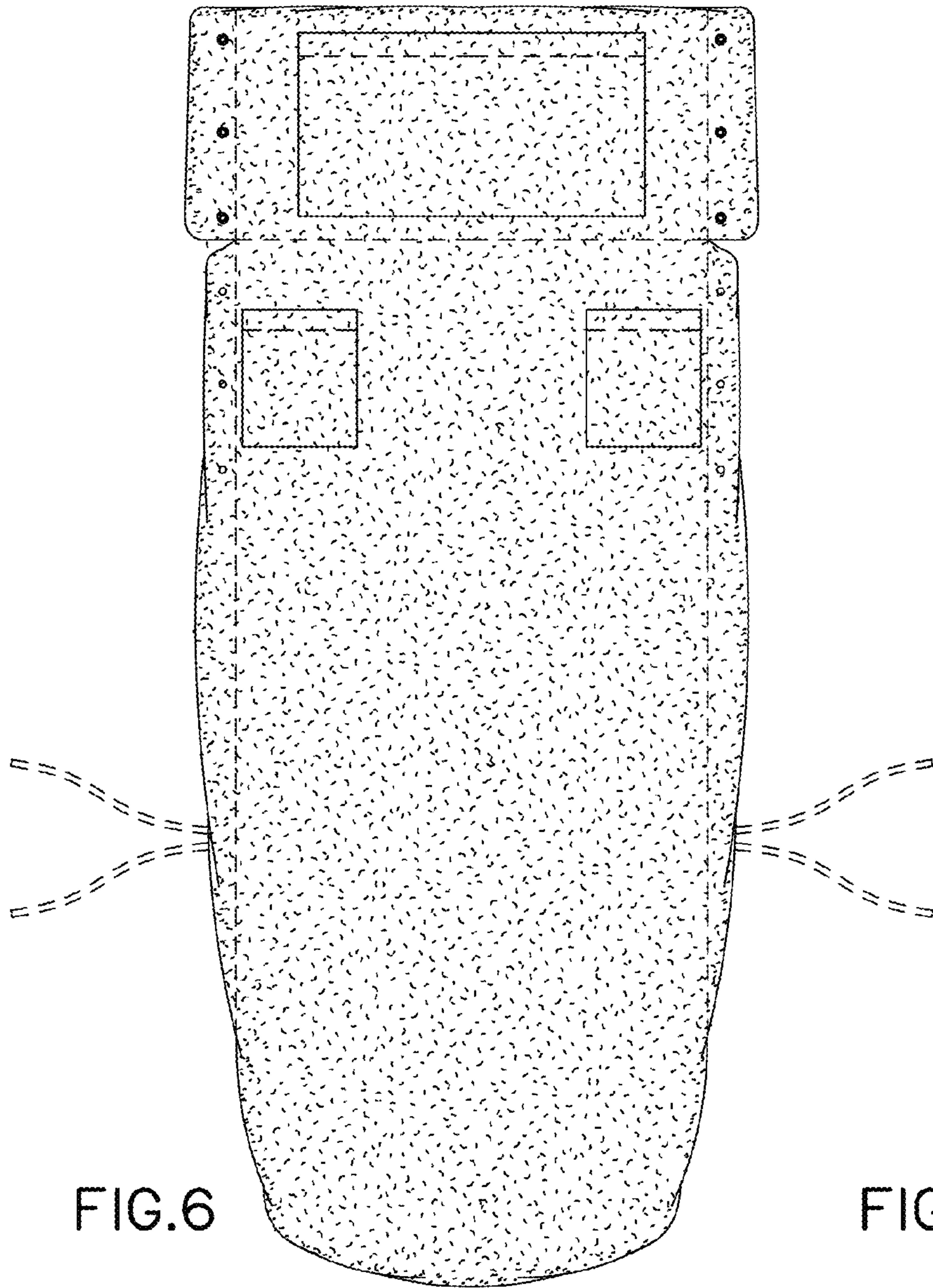


FIG.6

FIG.6

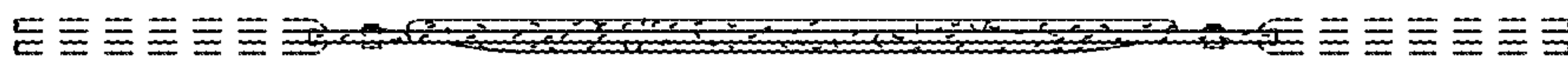


FIG.7



FIG. 8

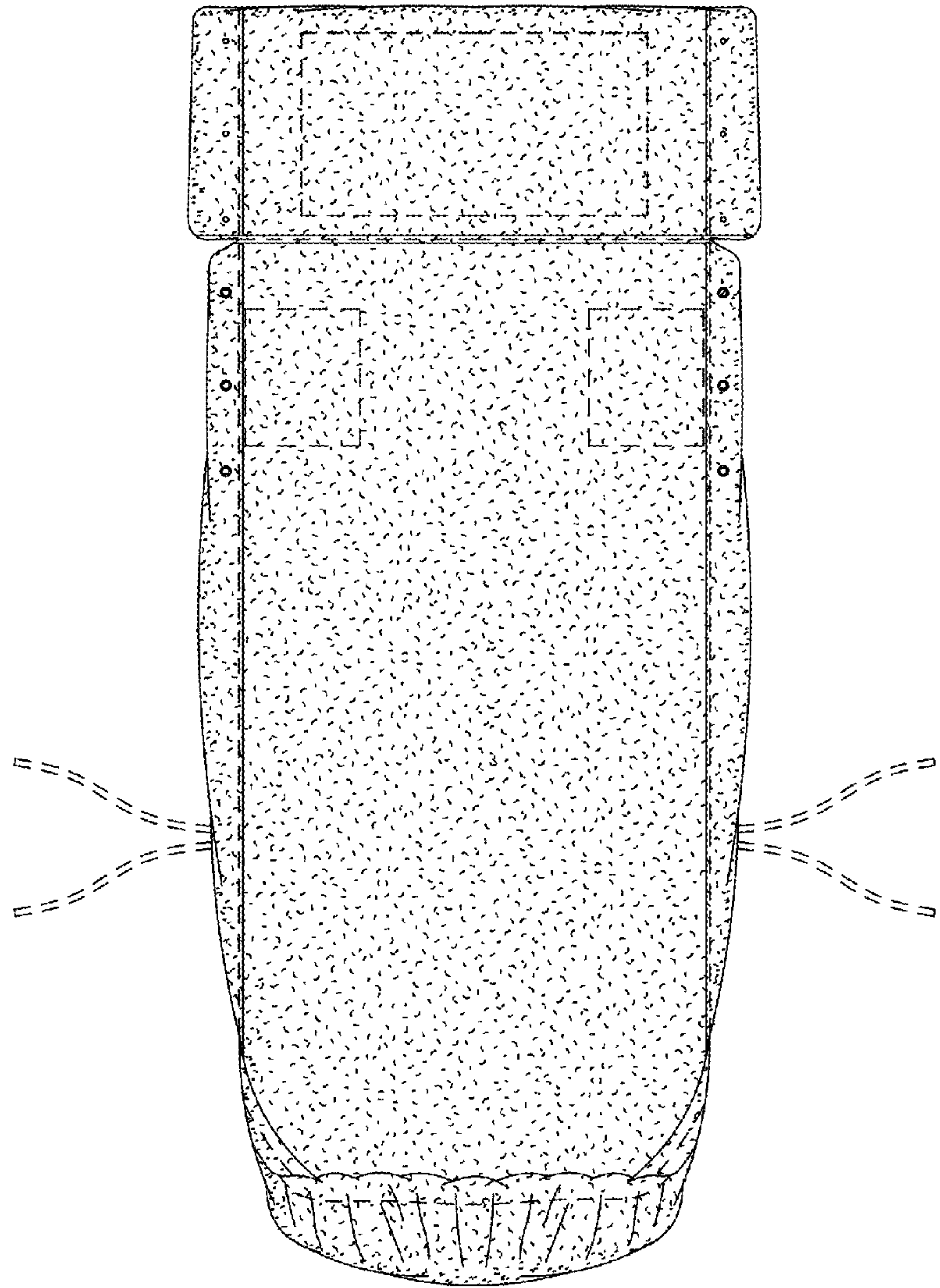


FIG. 9