



US00D731209S

(12) **United States Design Patent**
Fux

(10) **Patent No.:** **US D731,209 S**
(45) **Date of Patent:** **** Jun. 9, 2015**

(54) **MOLDED MEMORY FOAM PILLOW**

(71) Applicant: **Comfort Revolution, LLC**, West Long Branch, NJ (US)

(72) Inventor: **Michael Fux**, Fort Lauderdale, FL (US)

(**) Term: **14 Years**

(21) Appl. No.: **29/490,454**

(22) Filed: **May 9, 2014**

(51) **LOC (10) Cl.** **06-09**

(52) **U.S. Cl.**
USPC **D6/601**

(58) **Field of Classification Search**
USPC D6/595-601, 604, 606; 5/630, 632, 5/633, 636-645, 648, 652-655, 655.3, 5/655.7, 655.9; D24/183, 190; D30/118; D21/803, 809
CPC A47C 20/00; A47C 20/021; A47D 15/001; A47D 15/008; A47G 9/00; A47G 9/10
See application file for complete search history.

(56) **References Cited**

U.S. PATENT DOCUMENTS

3,400,413	A *	9/1968	La Grossa	5/639
3,566,423	A *	3/1971	Reinfeldt	428/76
D282,427	S *	2/1986	O'Sullivan	D6/601
D317,994	S *	7/1991	Collins	D6/605
D326,658	S *	6/1992	Ruiz-Ramirez	D14/249

5,279,237	A *	1/1994	Alvizatos	112/475.05
D357,589	S *	4/1995	Langhammer et al.	D6/333
D415,919	S *	11/1999	Porter	D6/596
D503,063	S *	3/2005	Bartle et al.	D6/601
D593,351	S *	6/2009	Song	D6/601
D661,844	S *	6/2012	Song	D30/118
D674,644	S *	1/2013	Stewart	D6/601

* cited by examiner

Primary Examiner — Mary Ann Calabrese

(74) *Attorney, Agent, or Firm* — Doherty IP Law Group LLC

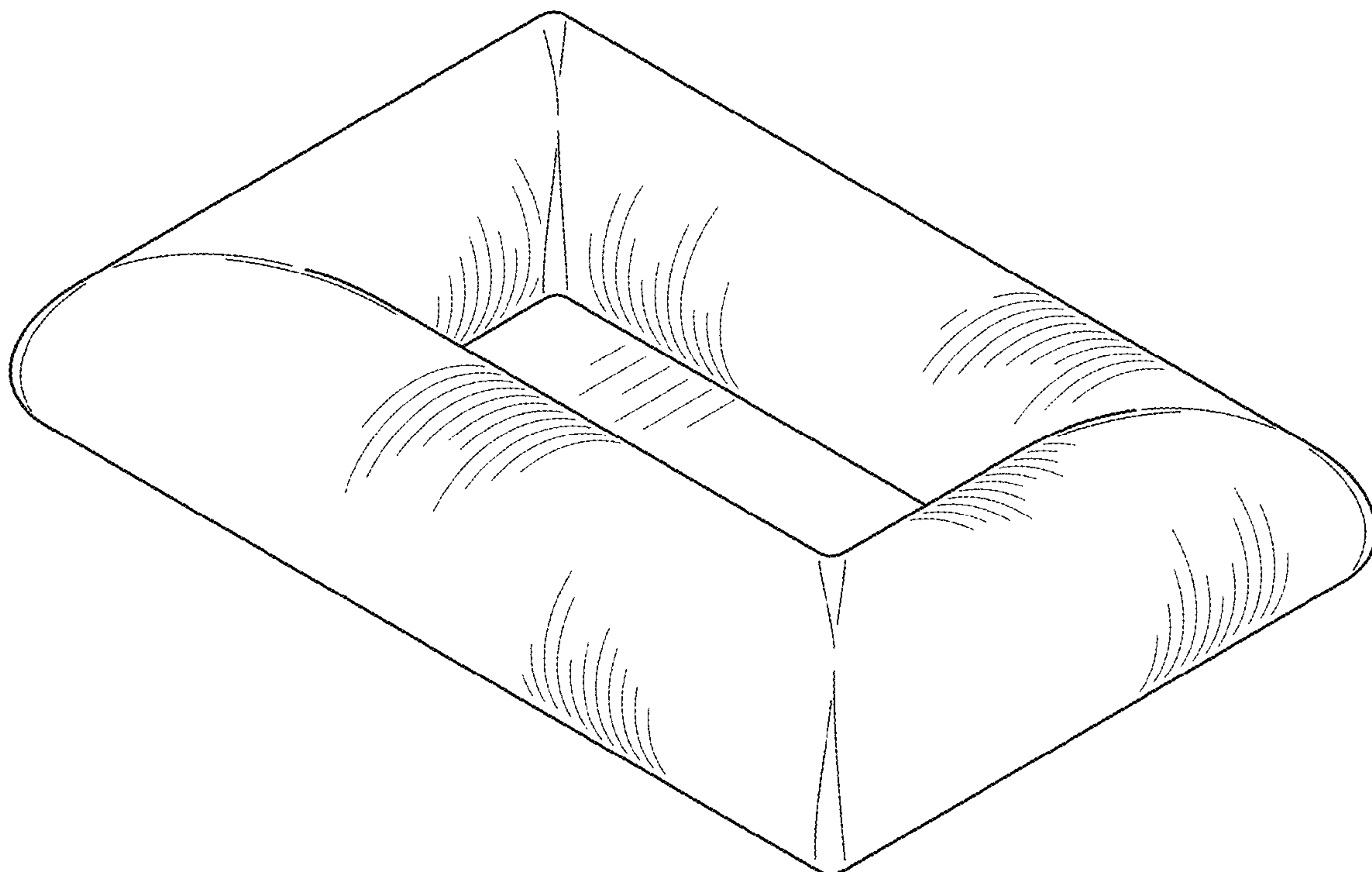
(57) **CLAIM**

The ornamental design for a molded memory foam pillow, as shown and described.

DESCRIPTION

FIG. 1 is a perspective view of a molded memory foam pillow, showing my new design;
FIG. 2 is a top plan view of the molded memory foam pillow shown in FIG. 1;
FIG. 3 is a bottom view of the molded memory foam pillow shown in FIG. 1;
FIG. 4 is a front view of the molded memory foam pillow shown in FIG. 1;
FIG. 5 is a rear view of the molded memory foam pillow shown in FIG. 1;
FIG. 6 is a right side view of the molded memory foam pillow shown in FIG. 1; and,
FIG. 7 is a left side view of the molded memory foam pillow shown in FIG. 1.

1 Claim, 3 Drawing Sheets



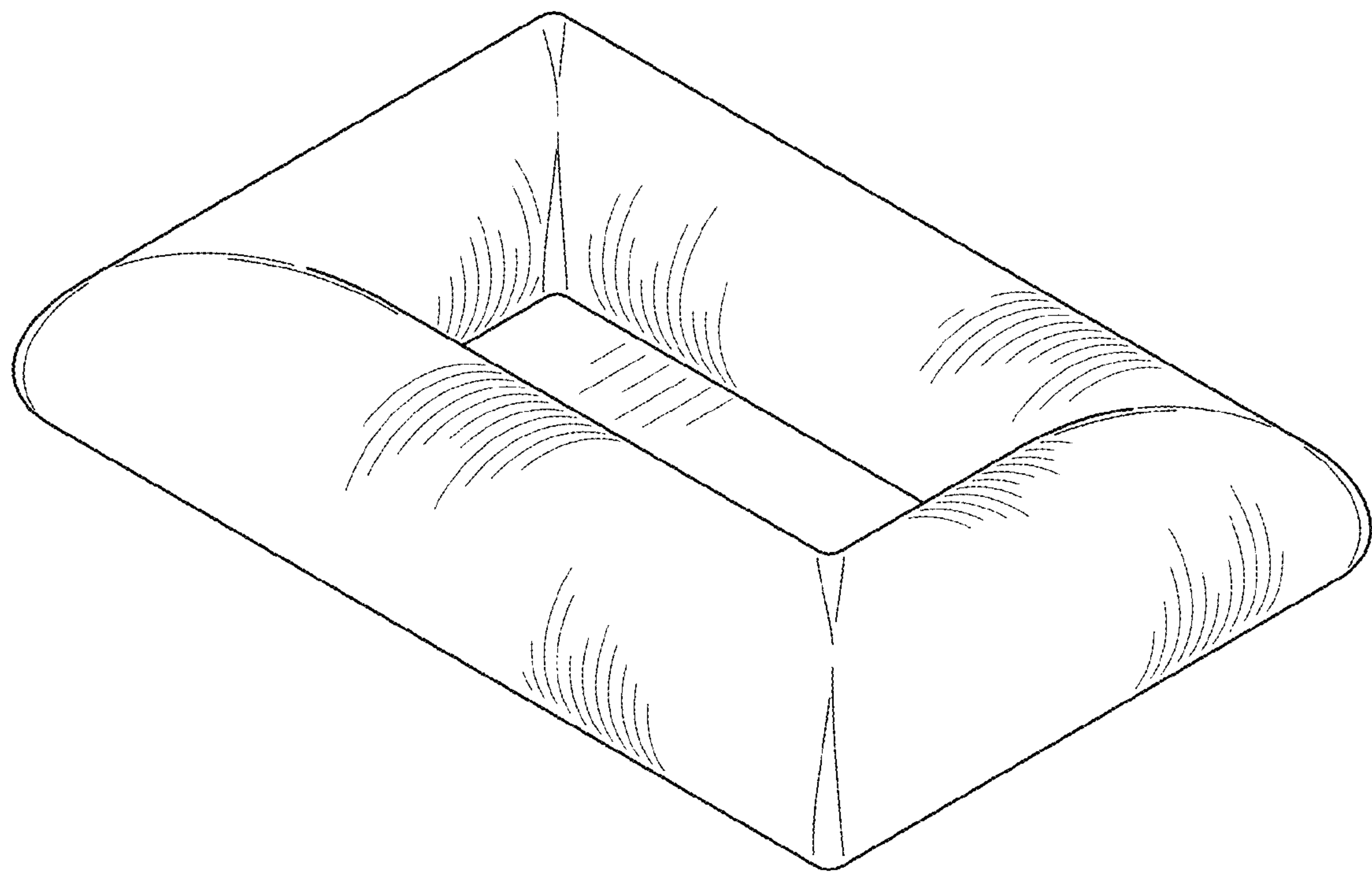


FIG. 1

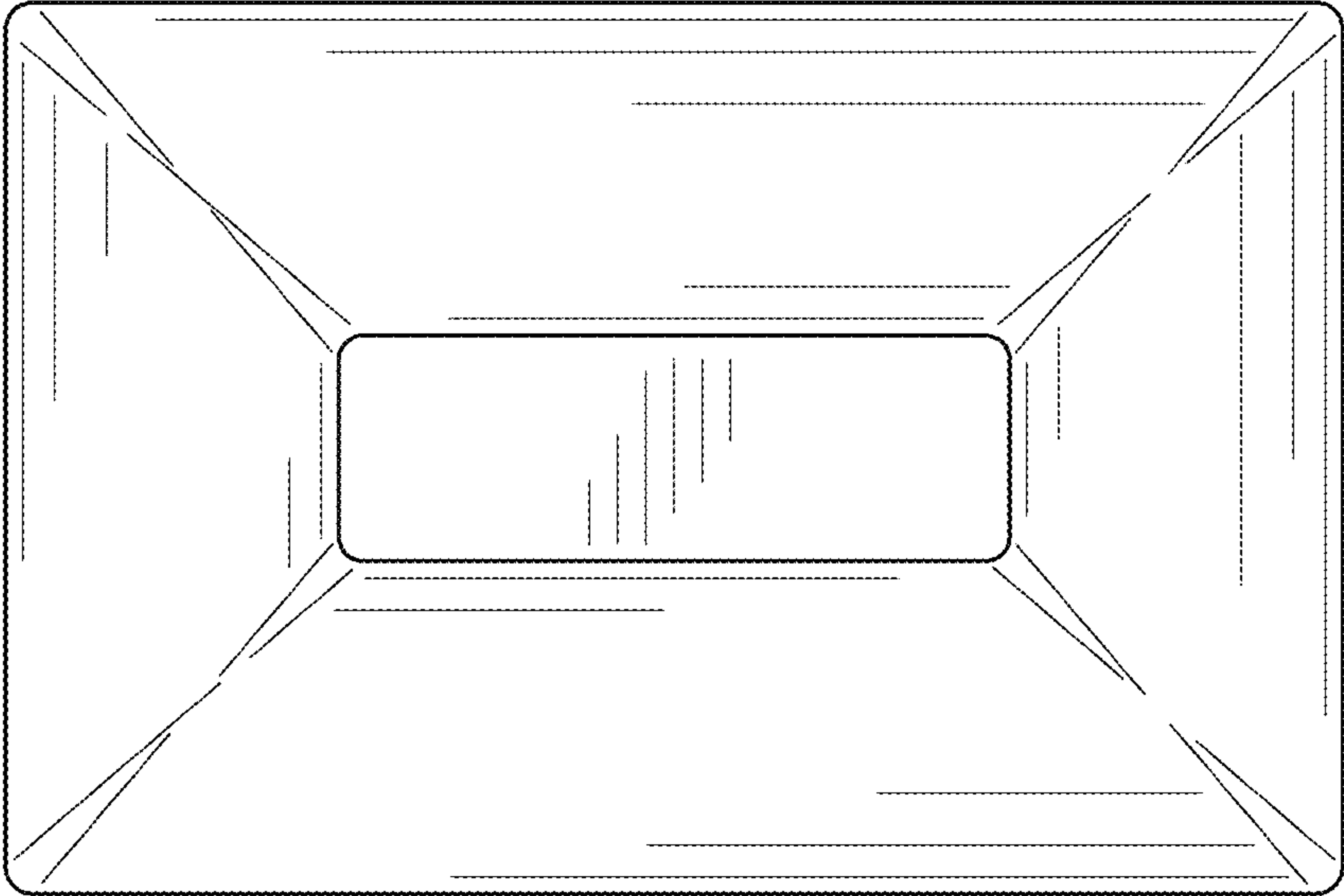


FIG. 2

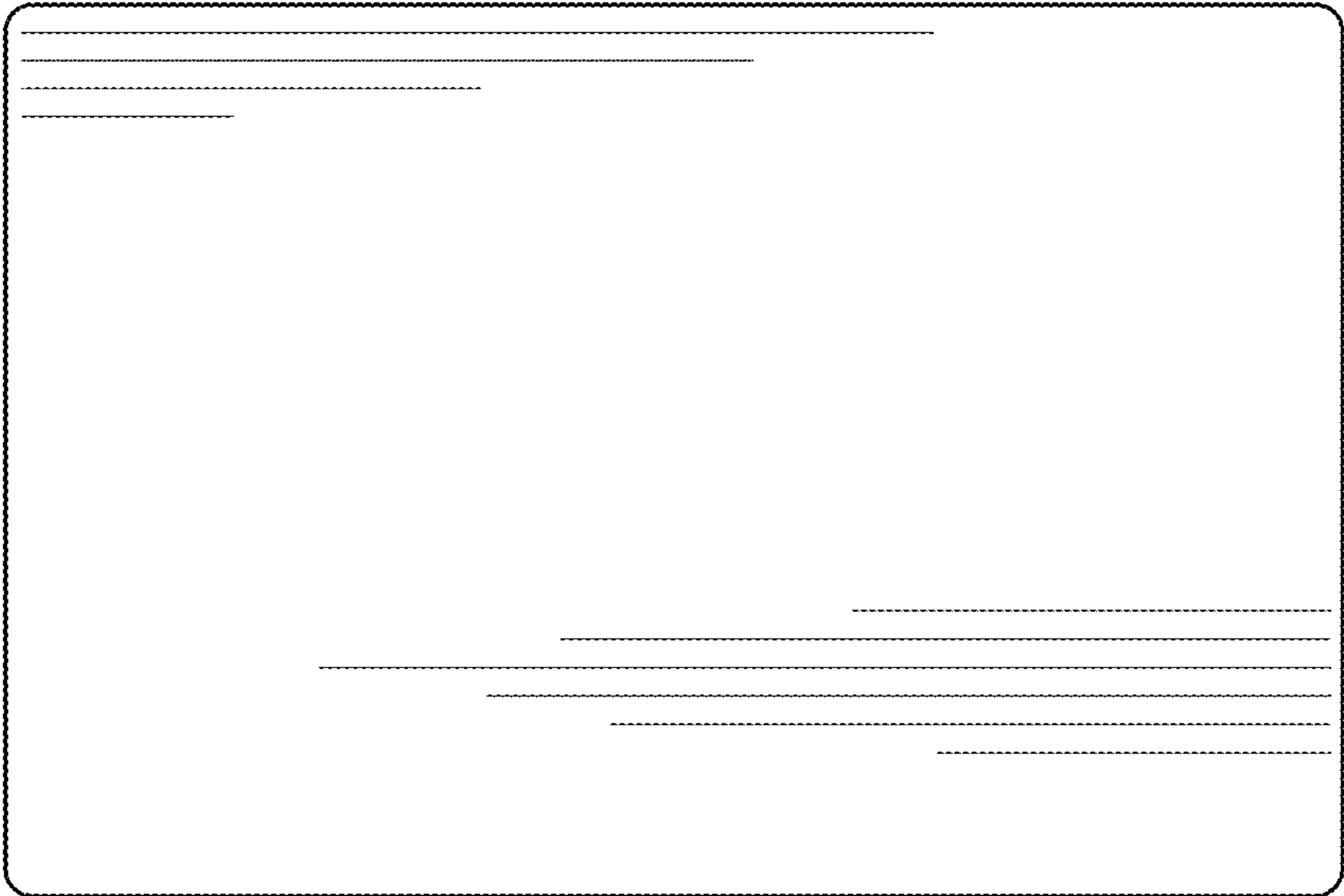


FIG. 3

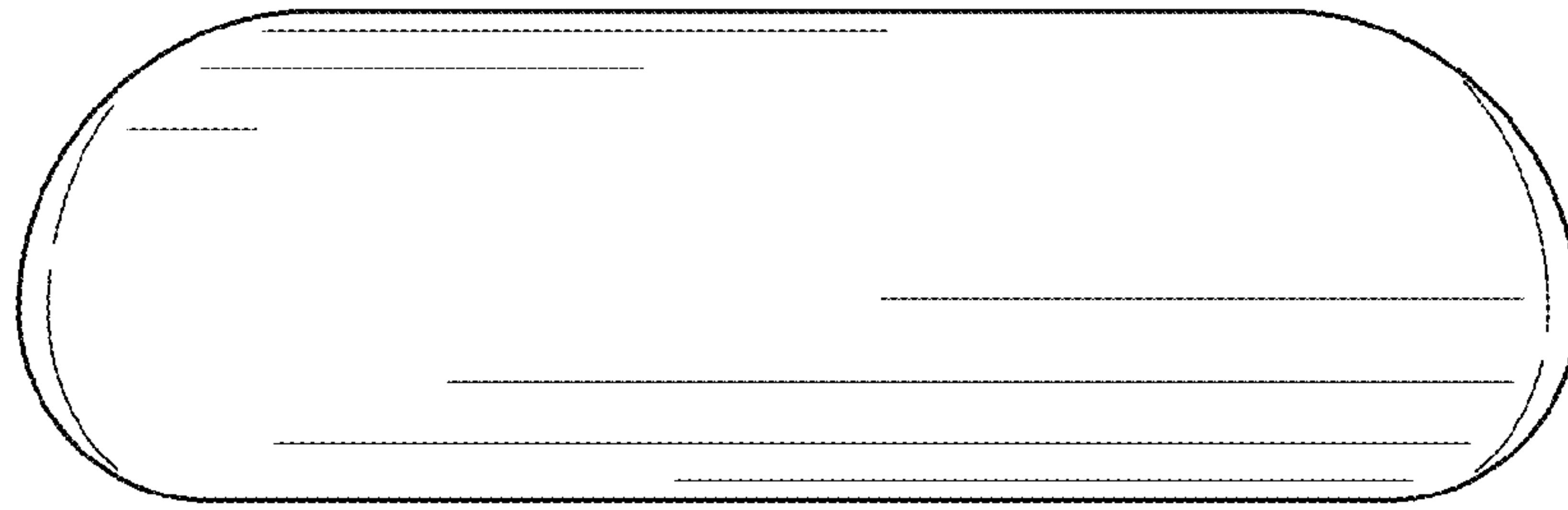


FIG. 4

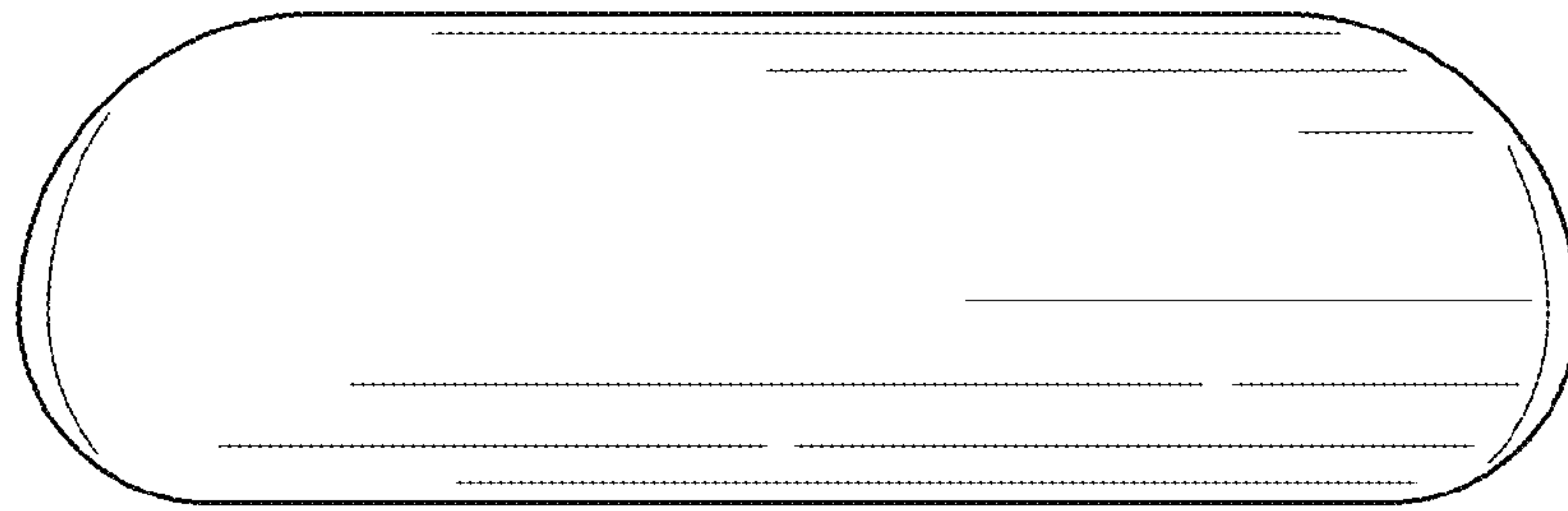


FIG. 5

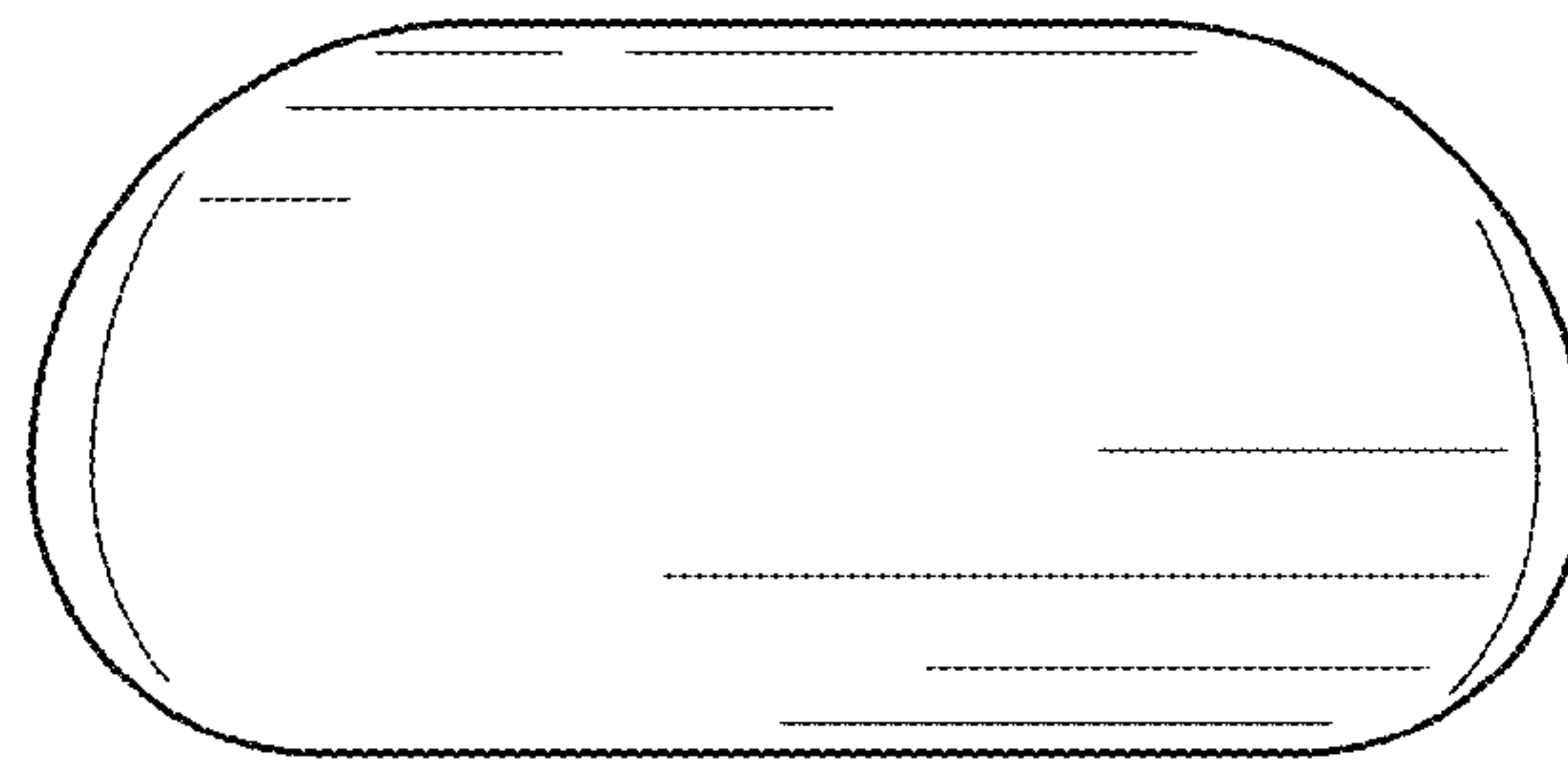


FIG. 6

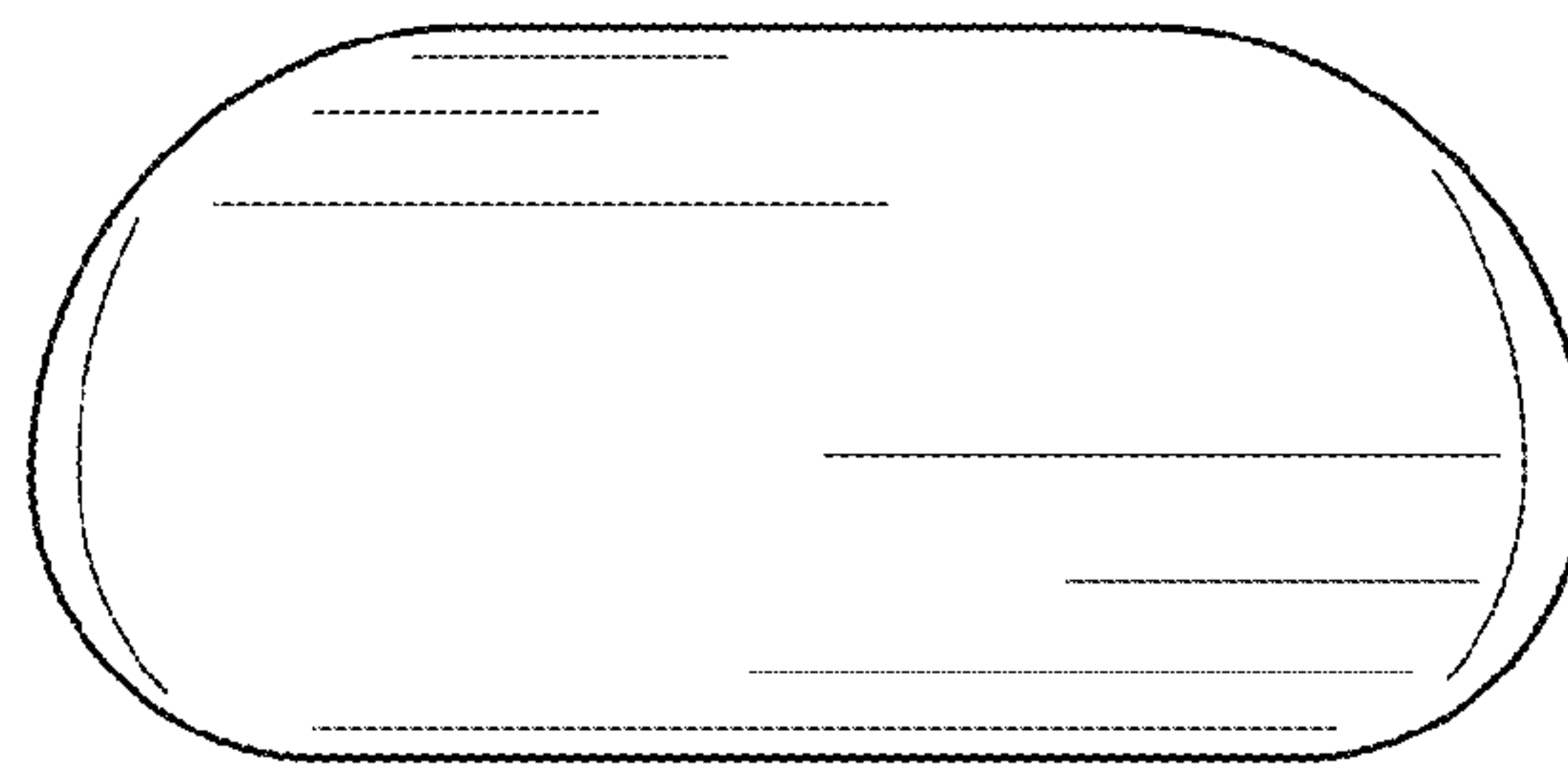


FIG. 7