



US00D731208S

(12) **United States Design Patent**  
**Fux**

(10) **Patent No.:** **US D731,208 S**  
(45) **Date of Patent:** **\*\* Jun. 9, 2015**

(54) **MOLDED MEMORY FOAM PILLOW**

(71) Applicant: **Comfort Revolution, LLC**, West Long Branch, NJ (US)

(72) Inventor: **Michael Fux**, Fort Lauderdale, FL (US)

(\*\*) Term: **14 Years**

(21) Appl. No.: **29/490,445**

(22) Filed: **May 9, 2014**

(51) **LOC (10) Cl.** ..... **06-09**

(52) **U.S. Cl.**  
USPC ..... **D6/601**

(58) **Field of Classification Search**  
USPC ..... D6/595-601, 604, 606; 5/630, 632, 5/633, 636-645, 648, 652-655, 655.3, 5/655.7, 655.9; D24/183, 190; D30/118; D21/803, 809  
CPC .... A47C 20/00; A47C 20/021; A47D 15/001; A47D 15/008; A47G 9/00; A47G 9/10  
See application file for complete search history.

(56) **References Cited**

**U.S. PATENT DOCUMENTS**

D29,994 S *	1/1899	Dennett	.....	D6/502
D241,700 S *	10/1976	Wattie	.....	D6/601
D285,512 S *	9/1986	Bool	.....	D6/601
D316,354 S *	4/1991	Bool	.....	D6/601
D341,281 S *	11/1993	McIntire	.....	D6/502
D354,876 S *	1/1995	Pace	.....	D6/601
D355,999 S *	3/1995	Townsend	.....	D6/502
D381,232 S *	7/1997	Jansson	.....	D6/596

D384,233 S *	9/1997	Civitarese	.....	D6/601
D456,659 S *	5/2002	Landvik	.....	D6/601
D546,107 S *	7/2007	Babcock	.....	D6/601
D595,986 S *	7/2009	Kloes et al.	.....	D6/601
D624,777 S *	10/2010	Pepys	.....	D6/601
D637,439 S *	5/2011	Mettler	.....	D6/601
D645,693 S *	9/2011	Rothbard	.....	D6/601
2014/0359947 A1 *	12/2014	Turner	.....	5/655

\* cited by examiner

*Primary Examiner* — Mary Ann Calabrese

(74) *Attorney, Agent, or Firm* — Doherty IP Law Group LLC

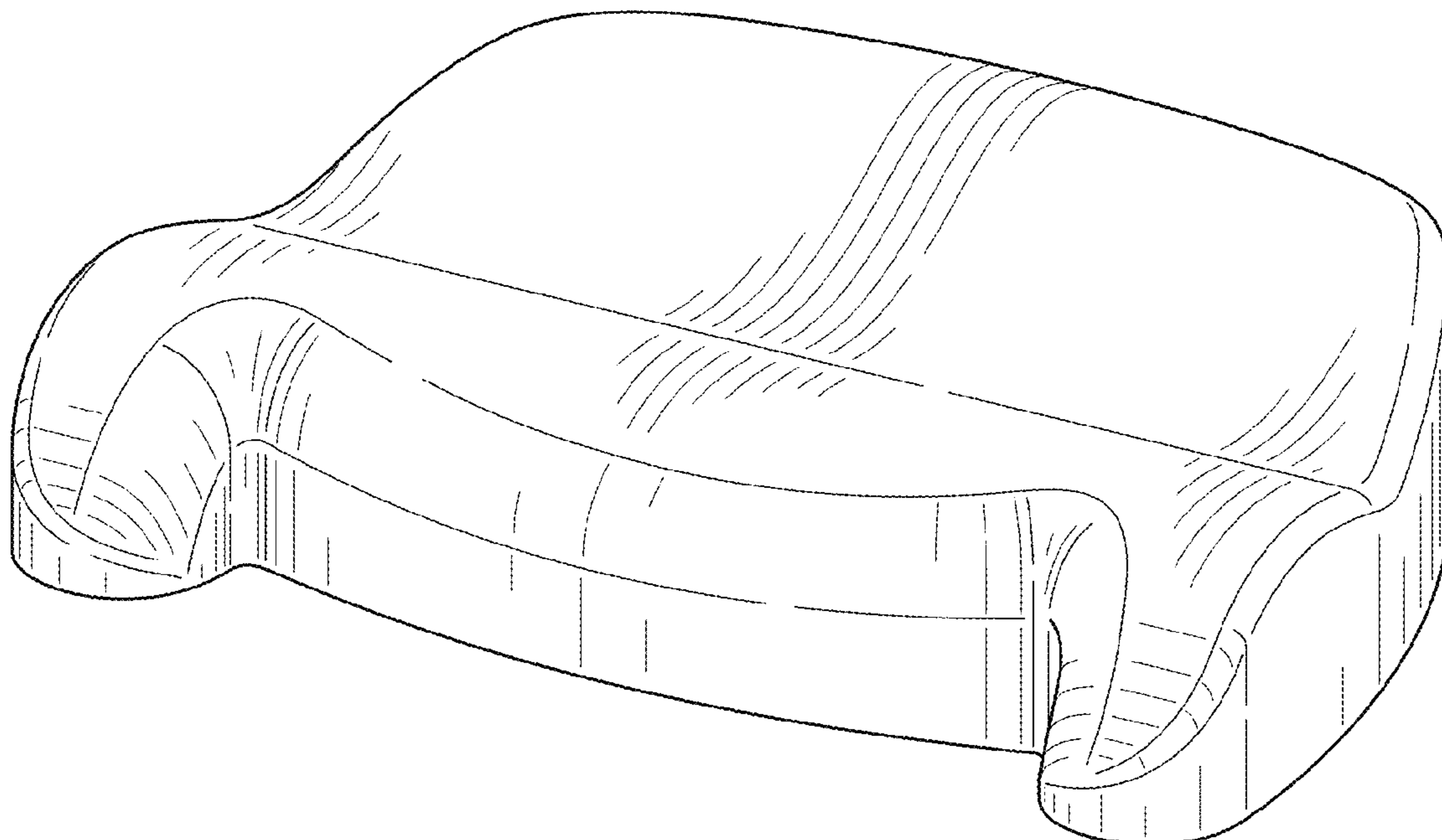
(57) **CLAIM**

The ornamental design for a molded memory foam pillow, as shown and described.

**DESCRIPTION**

FIG. 1 is a perspective view of a molded memory foam pillow, showing my new design;  
FIG. 2 is a top plan view of the molded memory foam pillow shown in FIG. 1;  
FIG. 3 is a bottom view of the molded memory foam pillow shown in FIG. 1;  
FIG. 4 is a front view of the molded memory foam pillow shown in FIG. 1;  
FIG. 5 is a rear view of the molded memory foam pillow shown in FIG. 1;  
FIG. 6 is a right side view of the molded memory foam pillow shown in FIG. 1; and,  
FIG. 7 is a left side view of the molded memory foam pillow shown in FIG. 1.

**1 Claim, 3 Drawing Sheets**



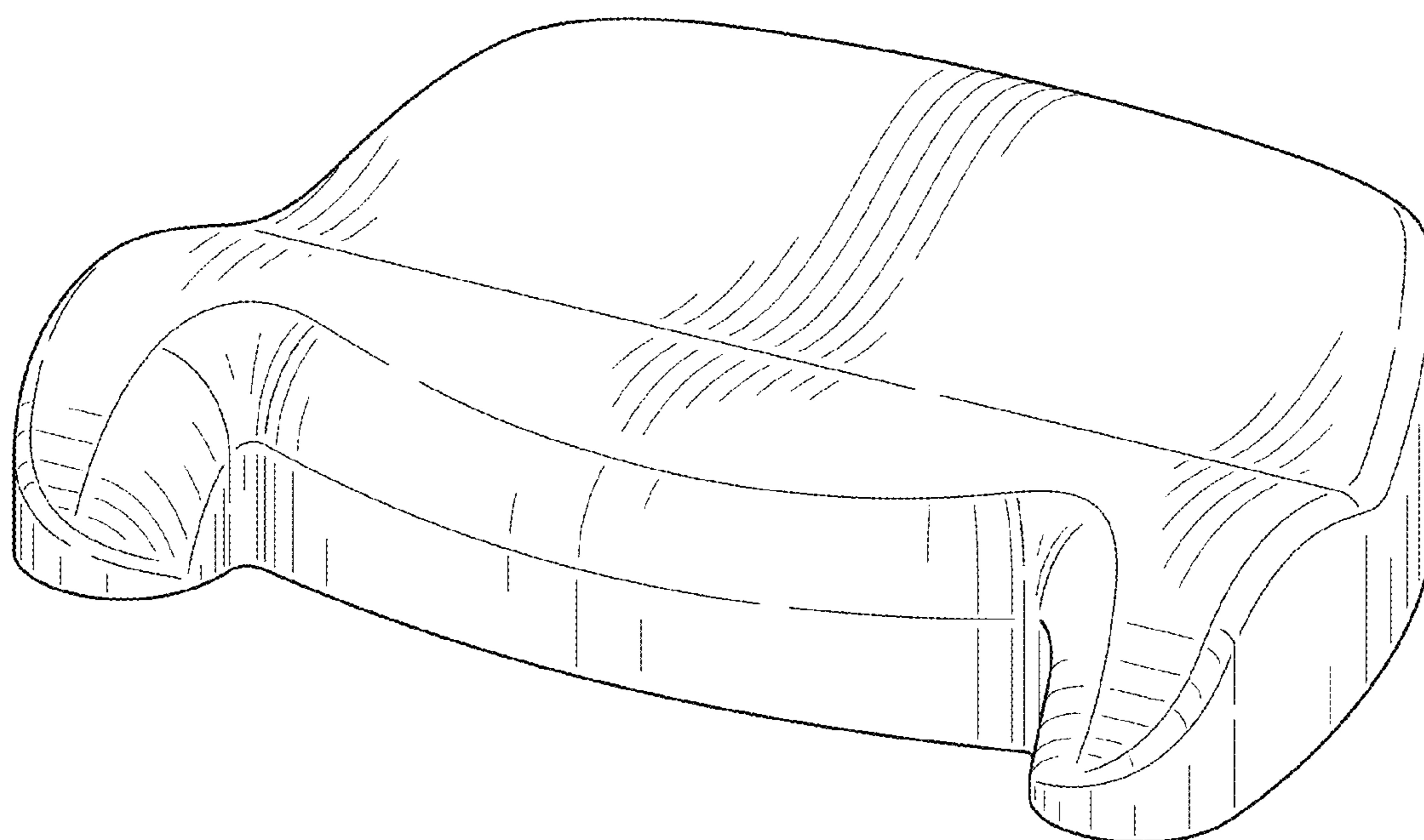


FIG. 1

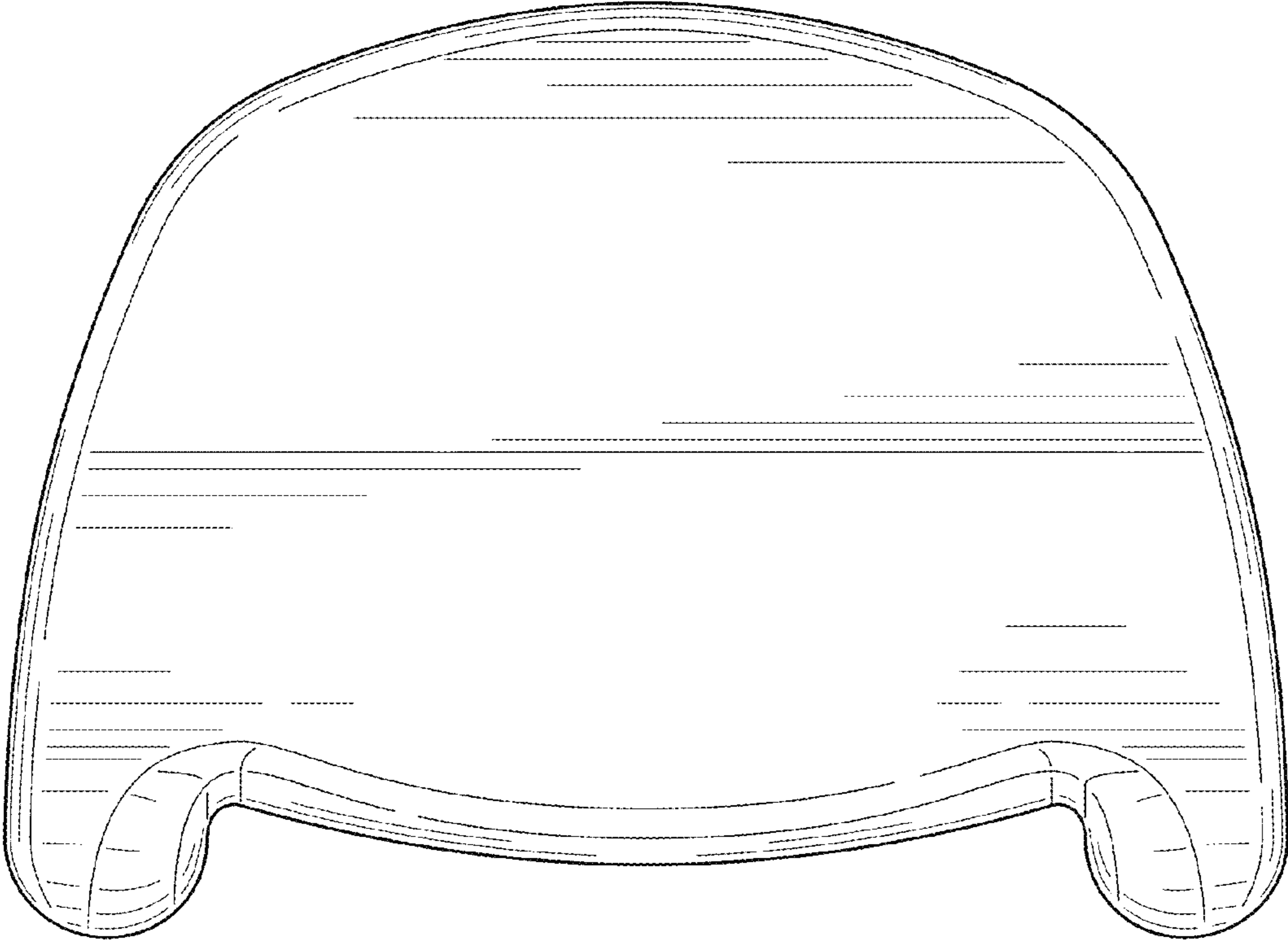


FIG. 2

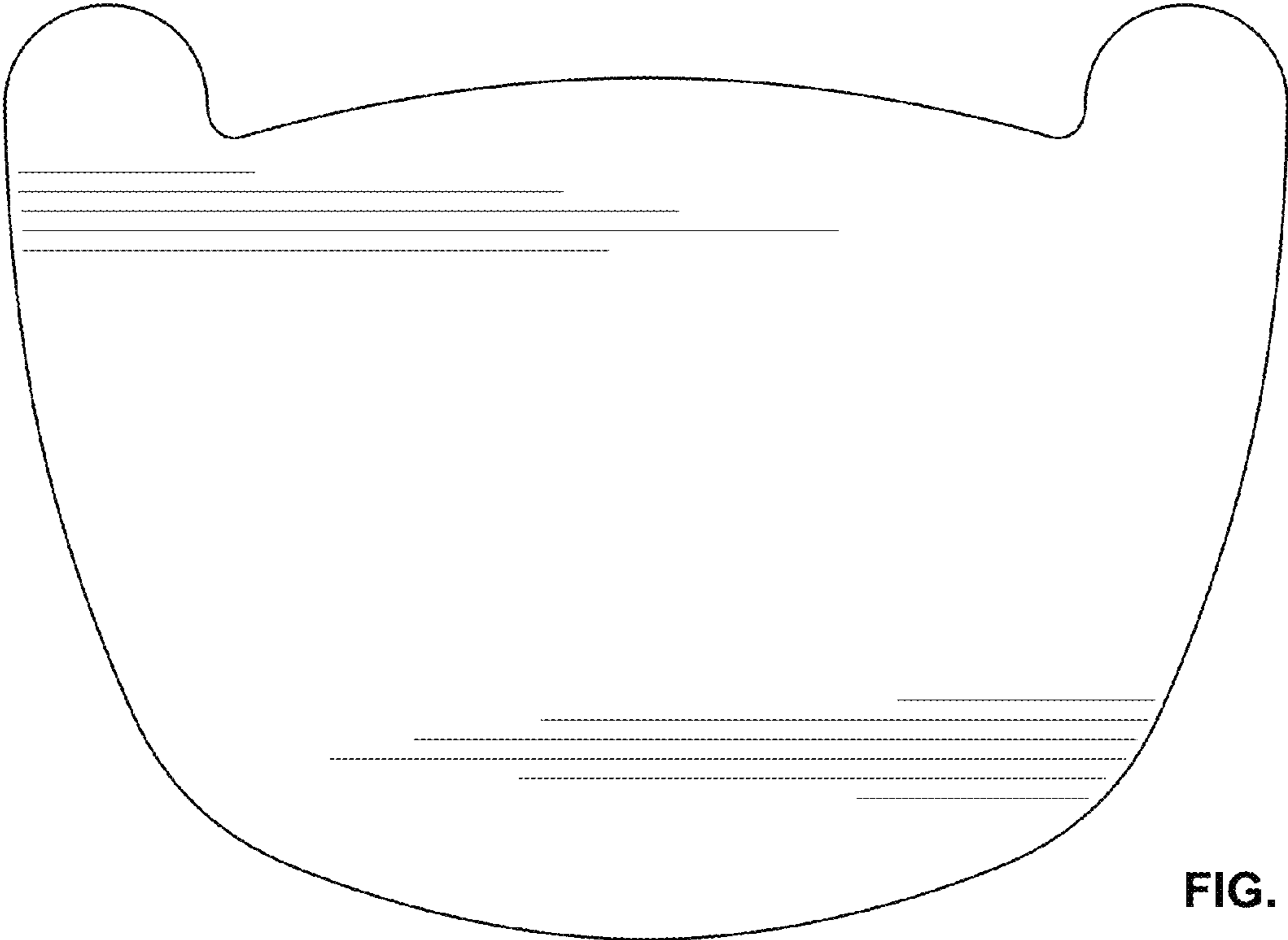


FIG. 3

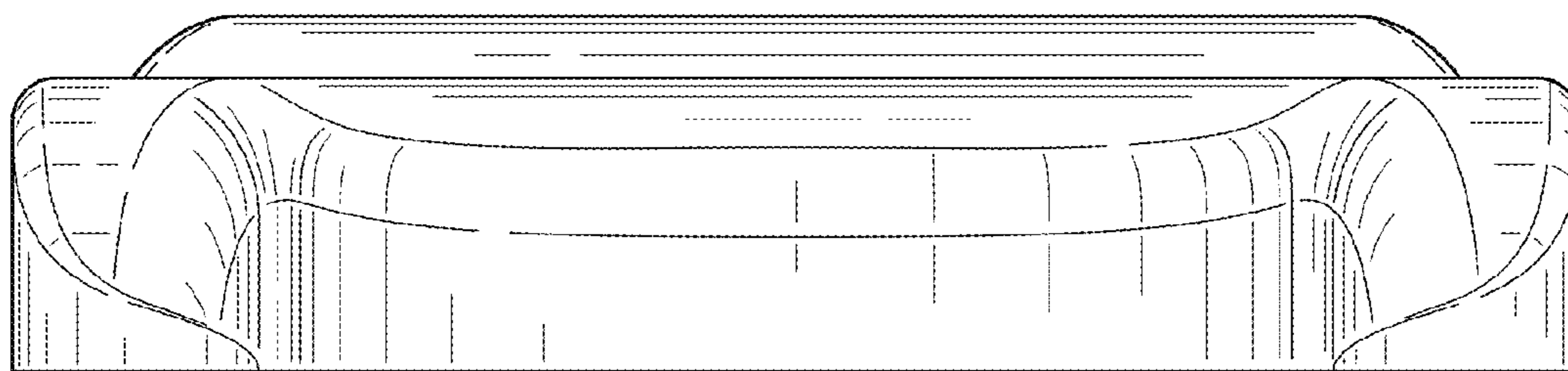


FIG. 4

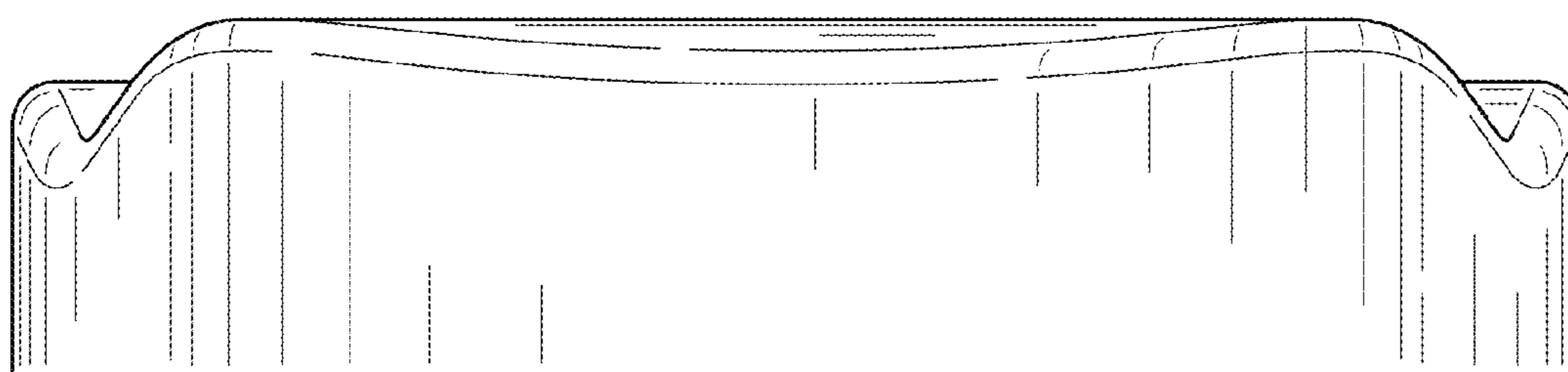


FIG. 5

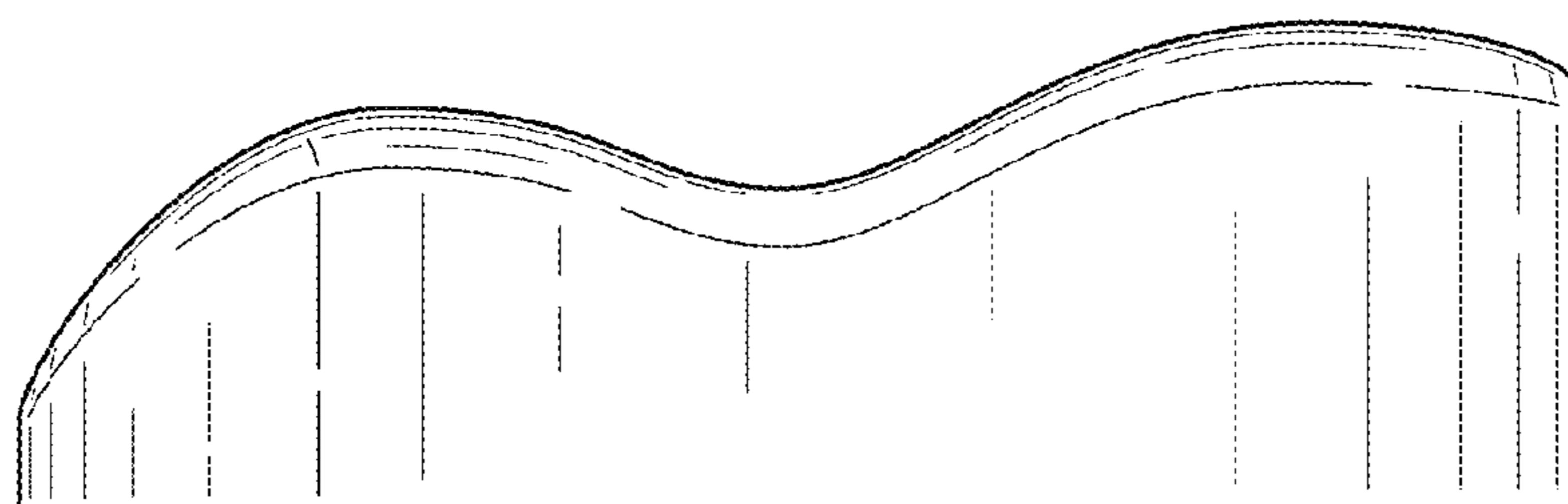


FIG. 6

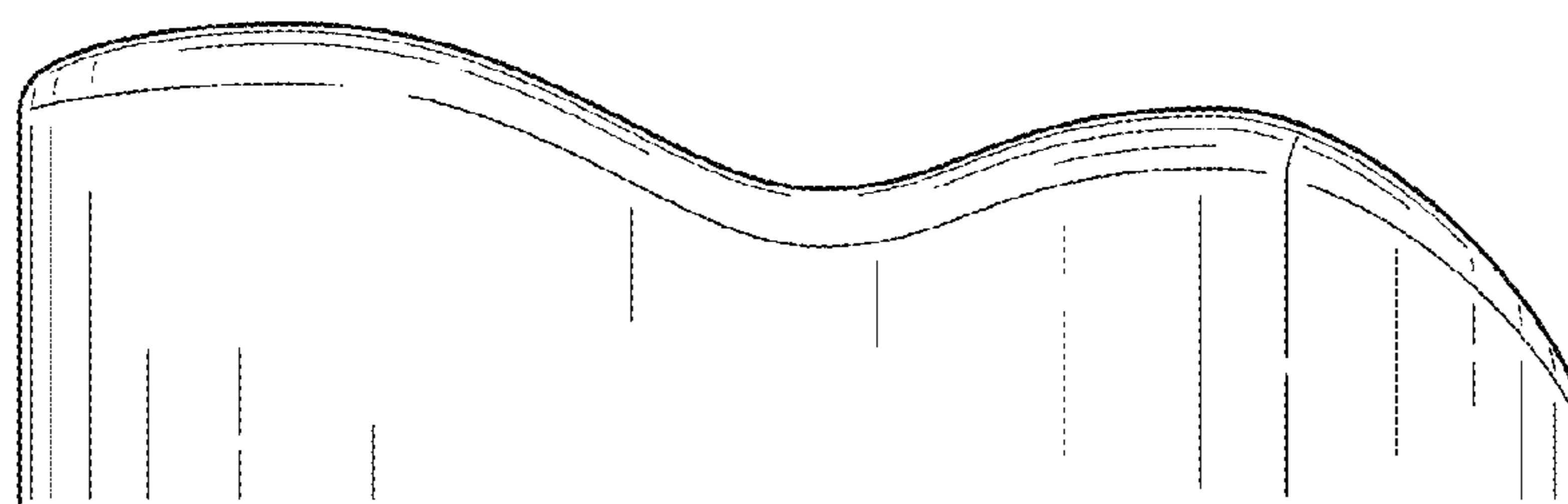


FIG. 7