



US00D731204S

(12) **United States Design Patent**  
**Watson et al.**

(10) **Patent No.:** **US D731,204 S**  
(45) **Date of Patent:** **\*\* Jun. 9, 2015**

(54) **FLUID CARTRIDGE**  
(71) Applicants: **Ben James Watson**, Hertfordshire (GB);  
**Neil Baron**, London (GB)  
(72) Inventors: **Ben James Watson**, Hertfordshire (GB);  
**Neil Baron**, London (GB)  
(73) Assignee: **NSE Products, Inc.**, Provo, UT (US)

(\*\*) Term: **14 Years**

(21) Appl. No.: **29/473,253**

(22) Filed: **Nov. 20, 2013**

(51) **LOC (10) Cl.** ..... **23-02**

(52) **U.S. Cl.**  
USPC ..... **D6/542**

(58) **Field of Classification Search**  
USPC ..... D6/542, 545; D9/600, 652, 667,  
D9/695-697, 702, 707-711, 723, 729-733,  
D9/516, 520-521, 547, 551; 206/457, 822;  
215/230, 400; 220/890; 221/181.2  
See application file for complete search history.

(56) **References Cited**

**U.S. PATENT DOCUMENTS**

3,236,418 A	2/1966	Dalle et al.	
3,876,112 A	4/1975	Kramer	
D246,212 S	11/1977	Keck et al.	
4,139,114 A	2/1979	Long et al.	
D252,783 S	9/1979	Rizzuto	
4,335,837 A	6/1982	Bono	
4,549,674 A	10/1985	Alticosalian	
4,826,048 A	5/1989	Skorka et al.	
D317,383 S	6/1991	Brill et al.	
D319,364 S	8/1991	Steiner	
D330,138 S	10/1992	Riendl	
5,169,029 A	12/1992	Behar et al.	
5,174,476 A *	12/1992	Steiner et al.	222/181.2
D332,544 S *	1/1993	Steiner et al.	D6/545

5,186,360 A	2/1993	Mease et al.	
5,351,862 A	10/1994	Weag	
5,385,270 A	1/1995	Cataneo et al.	
5,568,883 A	10/1996	Cataneo et al.	
D378,642 S	4/1997	DeGennaro	
5,645,193 A	7/1997	Gentile et al.	
D386,345 S	11/1997	Juarez	
5,848,732 A	12/1998	Brugger	
D404,950 S *	2/1999	Burch	D6/545

(Continued)

**FOREIGN PATENT DOCUMENTS**

CN	1217278 A	5/1999
CN	1234779 A	11/1999

(Continued)

**OTHER PUBLICATIONS**

VariBlend Dual Dispensing Systems, "How it Works," from <<http://www.variblend.com/how-it-works/>>.

*Primary Examiner* — Brian N Vinson  
(74) *Attorney, Agent, or Firm* — Dorsey & Whitney LLP

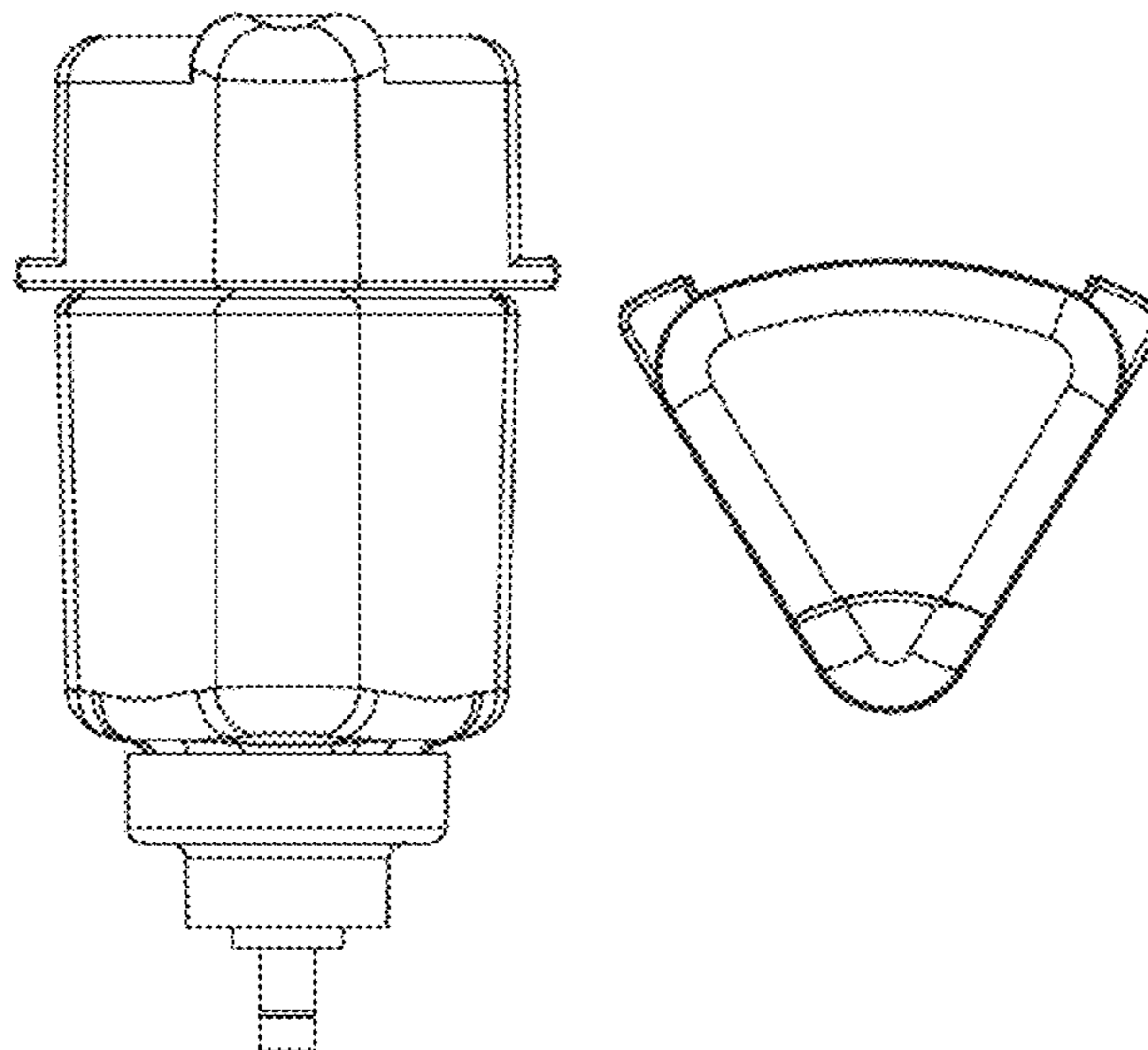
(57) **CLAIM**

The ornamental design for a fluid cartridge, as shown and described.

**DESCRIPTION**

FIG. 1 is a front view of the fluid cartridge or container. FIG. 2 is a left side view of the fluid cartridge or container. FIG. 3 is a right side view of the fluid cartridge or container. FIG. 4 is a back view of the fluid cartridge or container. FIG. 5A is a top view of the fluid cartridge or container; and, FIG. 5B is a bottom view of the fluid cartridge or container. The broken lines in the drawings are for the purposes of illustrating environment only, and form no part of the claimed design.

**1 Claim, 5 Drawing Sheets**



(56)

References Cited

U.S. PATENT DOCUMENTS

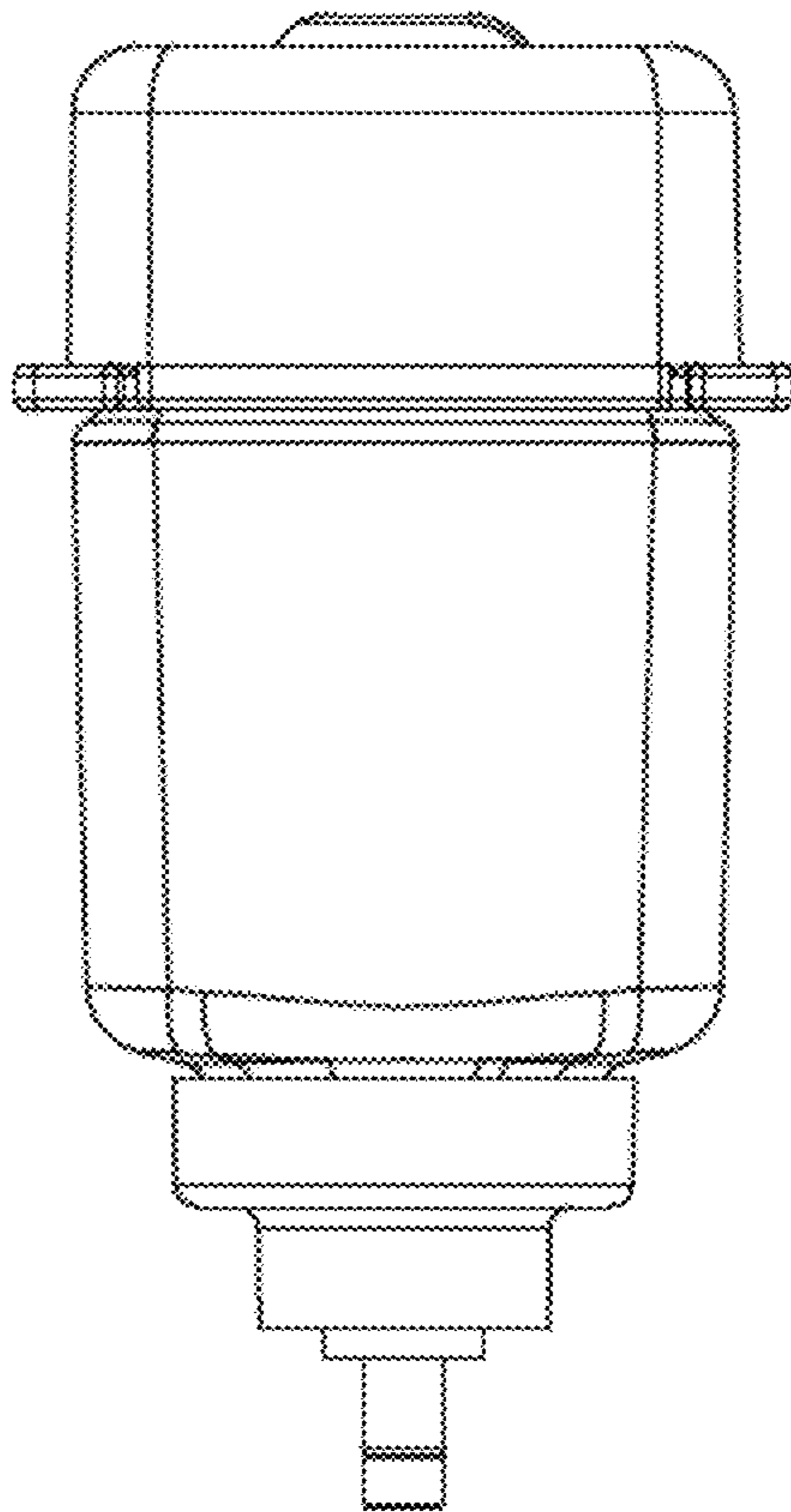
5,865,345 A 2/1999 Cistone et al.  
 5,947,335 A 9/1999 Milio et al.  
 6,006,948 A 12/1999 Auer  
 6,082,580 A 7/2000 Mueller et al.  
 6,082,588 A 7/2000 Markey et al.  
 6,230,935 B1 5/2001 Mack et al.  
 D443,780 S \* 6/2001 Kauzlarich et al. .... D6/542  
 6,299,023 B1 10/2001 Arnone  
 D456,663 S 5/2002 Chew  
 6,454,135 B1 9/2002 Brozell  
 6,499,900 B1 12/2002 Brozell  
 D471,047 S \* 3/2003 Gordon et al. .... D6/545  
 6,557,729 B2 5/2003 Gauthier  
 6,640,999 B2 11/2003 Peterson  
 6,648,641 B1 11/2003 Viltro et al.  
 D483,974 S 12/2003 Reed  
 6,715,642 B2 4/2004 Engel et al.  
 6,722,532 B2 4/2004 Lasserre et al.  
 7,063,235 B2 6/2006 Auer  
 7,124,914 B2 10/2006 Foster et al.  
 7,222,752 B2 5/2007 Ponton  
 7,247,140 B2 7/2007 Ophardt  
 D554,408 S 11/2007 Scorgie  
 D560,087 S 1/2008 Sellers et al.  
 D564,273 S 3/2008 Yang et al.  
 7,461,987 B2 12/2008 Liechty et al.  
 7,510,101 B2 3/2009 Foster et al.  
 7,651,035 B2 1/2010 van der Heijden  
 D609,305 S 2/2010 Riendeau  
 7,654,415 B2 2/2010 van der Heijden  
 7,793,799 B2 9/2010 Reggiani  
 7,795,584 B2 9/2010 Mok et al.  
 7,854,350 B2 12/2010 Lasserre et al.  
 D637,848 S 5/2011 Kramer et al.  
 8,021,064 B2 9/2011 Gueret  
 D655,115 S 3/2012 Binderbauer et al.  
 D658,915 S \* 5/2012 Fernandes et al. .... D6/542  
 D661,933 S \* 6/2012 DelGigante et al. .... D6/542

D665,610 S 8/2012 Kanfer et al.  
 8,245,877 B2 8/2012 Ophardt  
 D668,492 S 10/2012 Brown  
 8,292,126 B2 10/2012 Pittaway et al.  
 8,294,585 B2 10/2012 Barnhill  
 D671,346 S 11/2012 Zlatic et al.  
 8,344,893 B1 1/2013 Drammeh  
 8,395,396 B2 3/2013 Hagleitner  
 8,418,887 B2 4/2013 Milian et al.  
 2001/0025859 A1 10/2001 Dumont  
 2003/0006247 A1 1/2003 Olivier et al.  
 2003/0194678 A1 10/2003 Viltro et al.  
 2004/0016773 A1 1/2004 Wagner  
 2004/0226962 A1 11/2004 Mazursky et al.  
 2006/0163282 A1 7/2006 Suzuki  
 2007/0289997 A1 12/2007 Lewis et al.  
 2008/0149126 A1 6/2008 Abergel  
 2009/0140004 A1 6/2009 Scorgie  
 2009/0179047 A1 7/2009 Foster et al.  
 2009/0184137 A1 7/2009 O'Brien  
 2010/0044394 A1 2/2010 Milian et al.  
 2010/0108779 A1 5/2010 Filsouf  
 2011/0101021 A1 5/2011 Greer et al.  
 2011/0303695 A1 12/2011 Fern  
 2012/0031925 A1 2/2012 Greenberg  
 2012/0279990 A1 11/2012 Werner et al.  
 2012/0298694 A1 11/2012 Holzmann

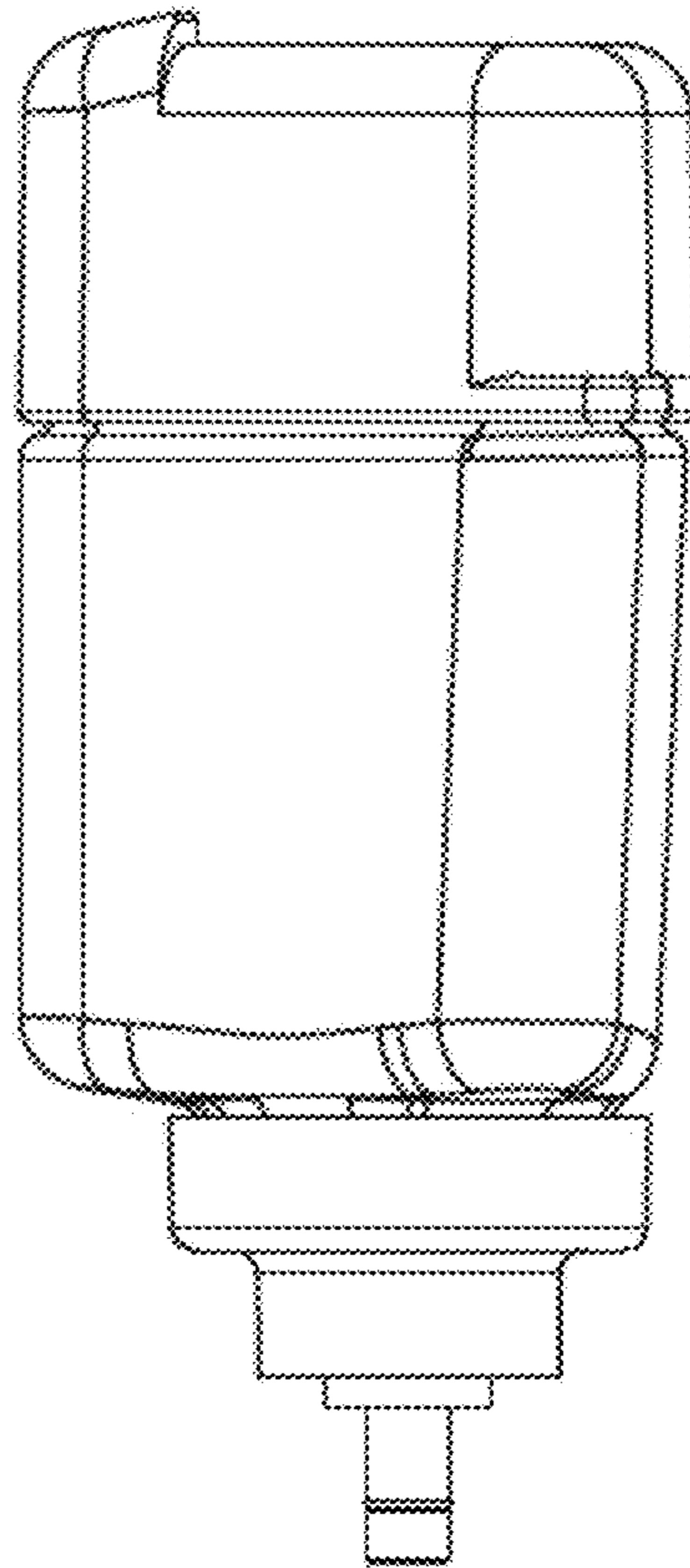
FOREIGN PATENT DOCUMENTS

CN 1349919 A 10/2001  
 CN 1474672 A 11/2001  
 CN 1532400 A 9/2004  
 CN 1754788 A 4/2006  
 CN 1803062 A 7/2006  
 CN 200988015 Y 12/2007  
 GB 2307674 A 6/1997  
 JP 2009132438 A 6/2009  
 WO WO2006006058 A2 1/2006  
 WO WO2010003091 A1 1/2010

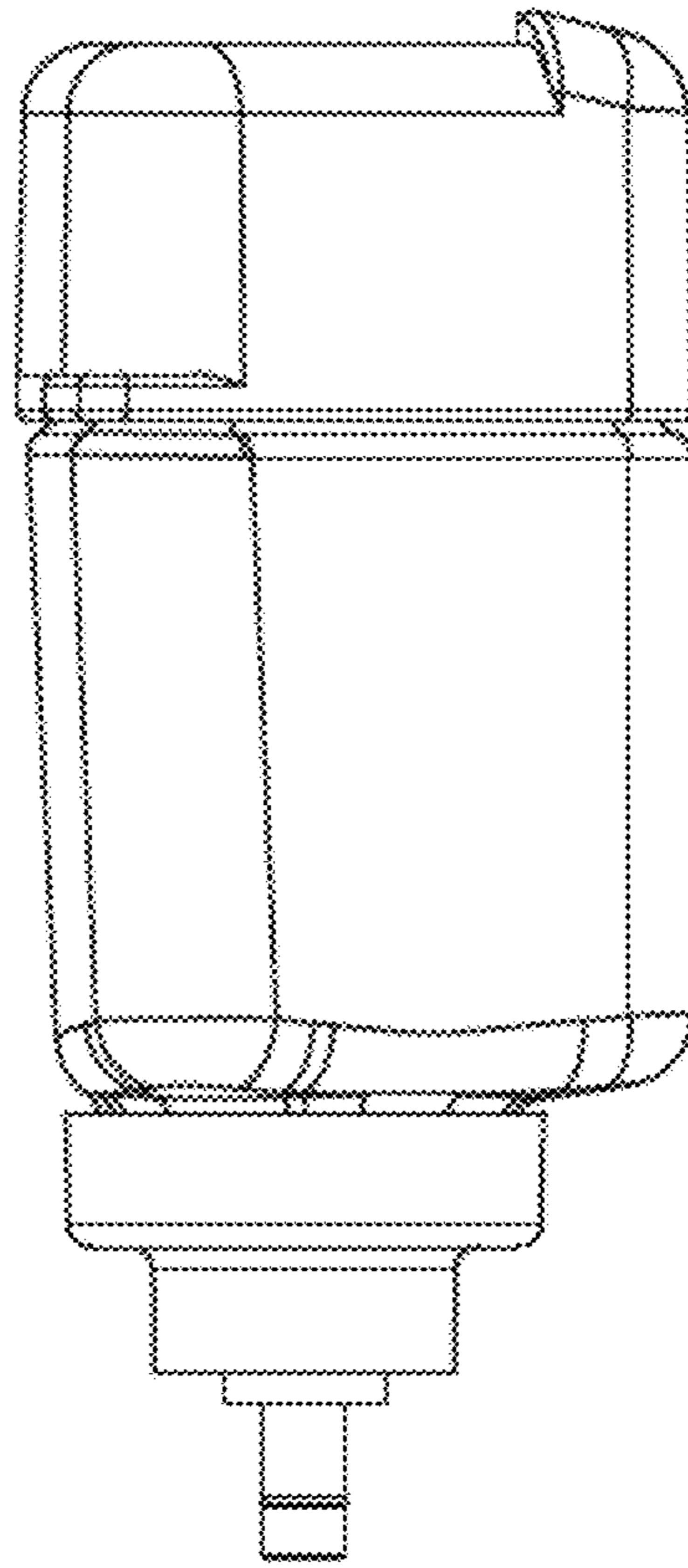
\* cited by examiner



**Fig. 1**



**Fig. 2**



**Fig. 3**

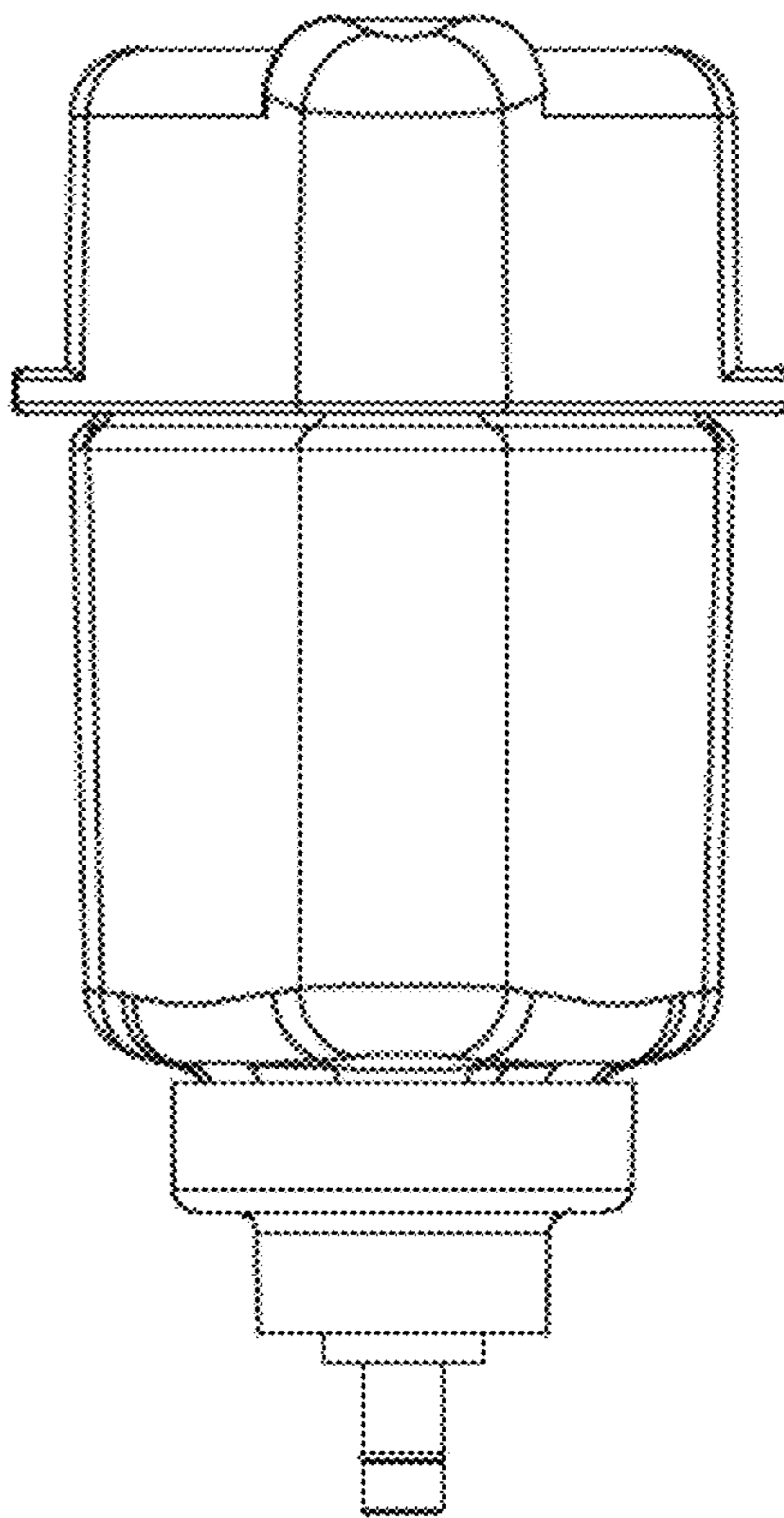
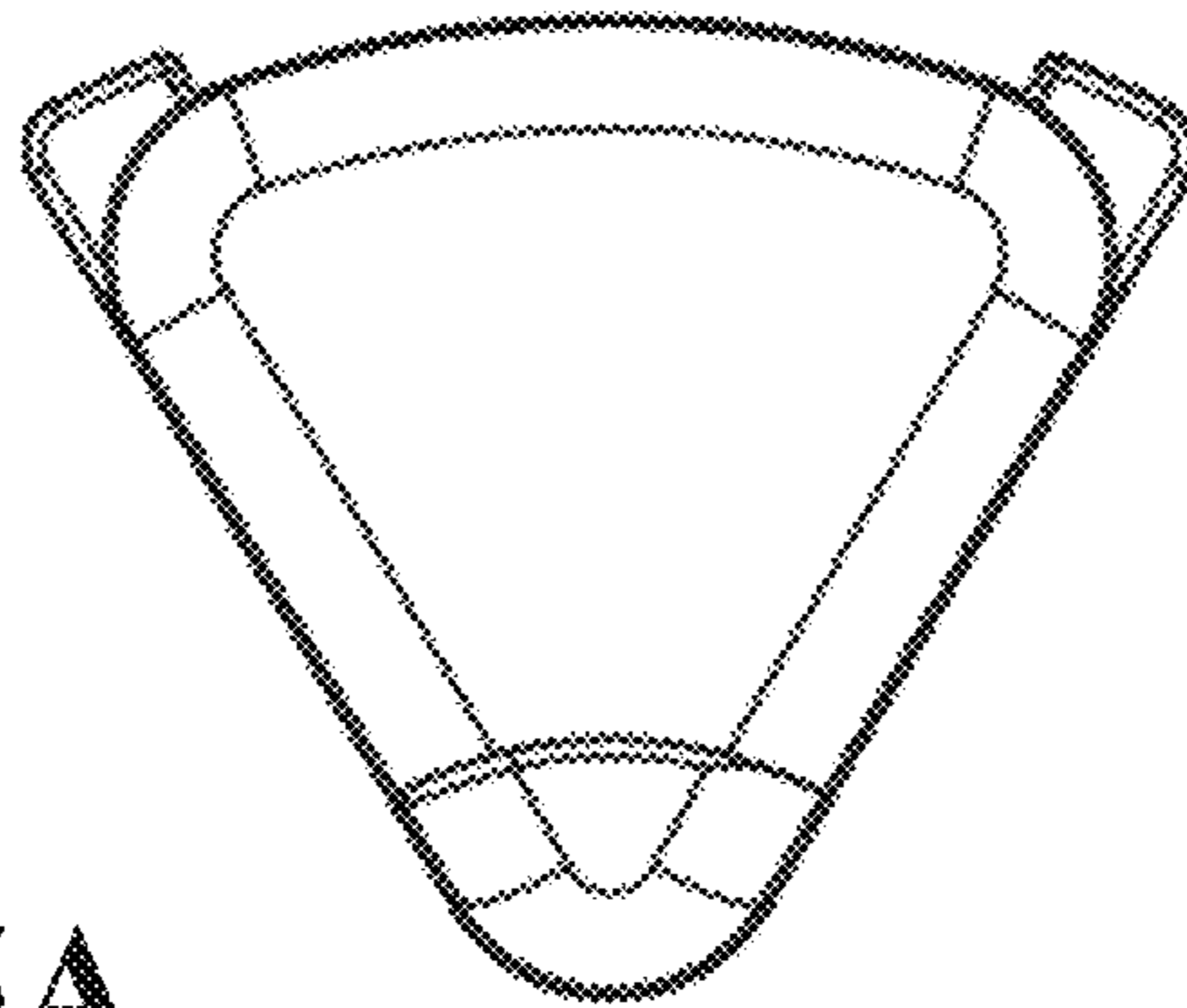
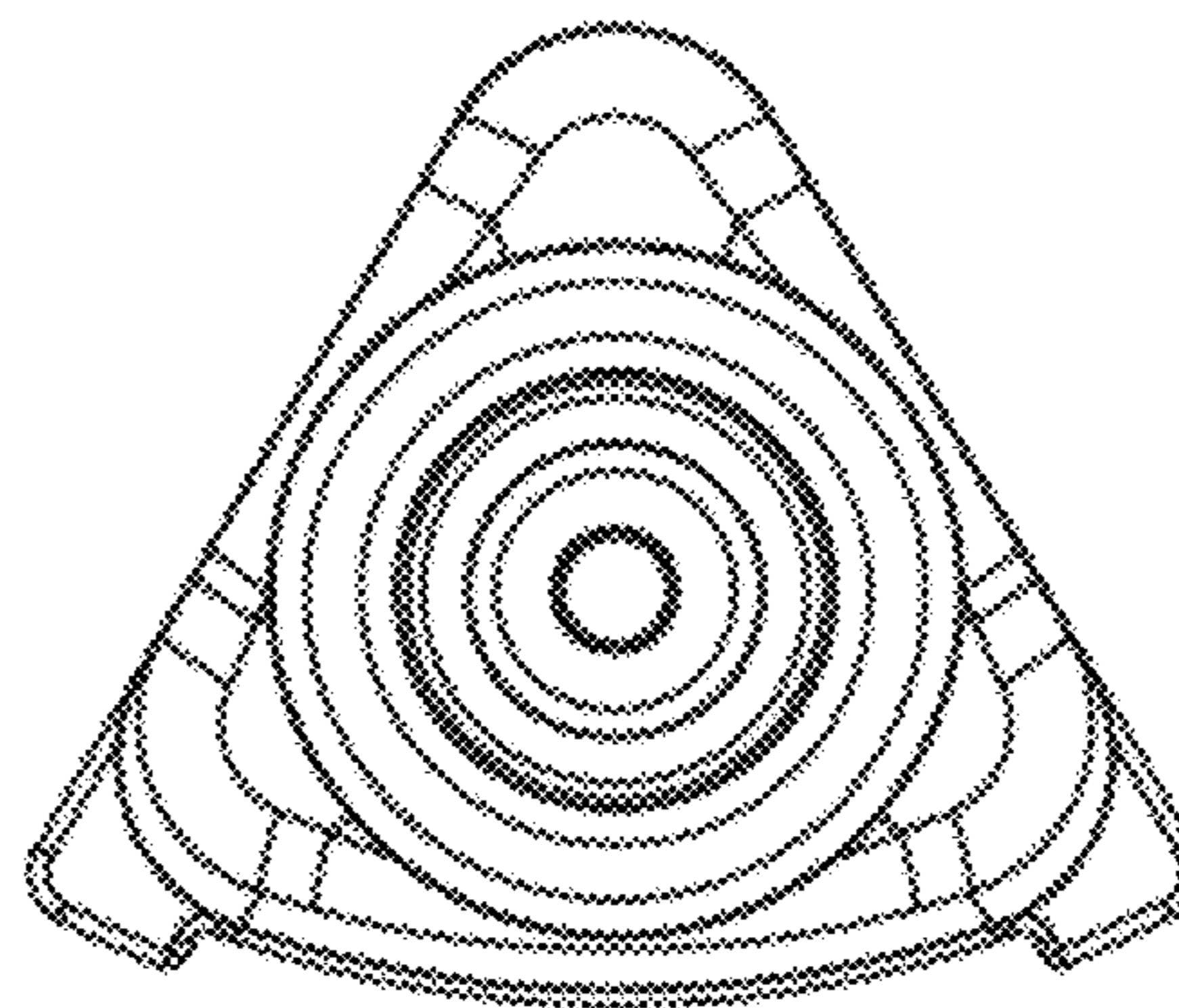


Fig. 4



**Fig. 5A**



**Fig. 5B**