



US00D731201S

(12) **United States Design Patent**
Yoshinori

(10) **Patent No.:** **US D731,201 S**

(45) **Date of Patent:** **** Jun. 9, 2015**

(54) **ROTOR FOR TAKING OUT TABLETS**

(71) Applicant: **Takazono Technology Incorporated,**
Osaka (JP)

(72) Inventor: **Kenzo Yoshinori,** Osaka (JP)

(73) Assignee: **Takazono Technology Incorporated,**
Osaka (JP)

(**) Term: **14 Years**

(21) Appl. No.: **29/485,287**

(22) Filed: **Mar. 18, 2014**

(30) **Foreign Application Priority Data**

Sep. 20, 2013 (JP) 2013-021846
Sep. 20, 2013 (JP) 2013-021847
Sep. 20, 2013 (JP) 2013-021848

(51) **LOC (10) Cl.** **20-02**

(52) **U.S. Cl.**
USPC **D6/515**

(58) **Field of Classification Search**
USPC D6/515
See application file for complete search history.

(56) **References Cited**

U.S. PATENT DOCUMENTS

D185,626 S * 7/1959 Craig et al. D6/515
D413,465 S * 9/1999 Scholey et al. D6/515

FOREIGN PATENT DOCUMENTS

JP D1082528 6/2000

* cited by examiner

Primary Examiner — Brian N Vinson

(74) *Attorney, Agent, or Firm* — Clark & Brody

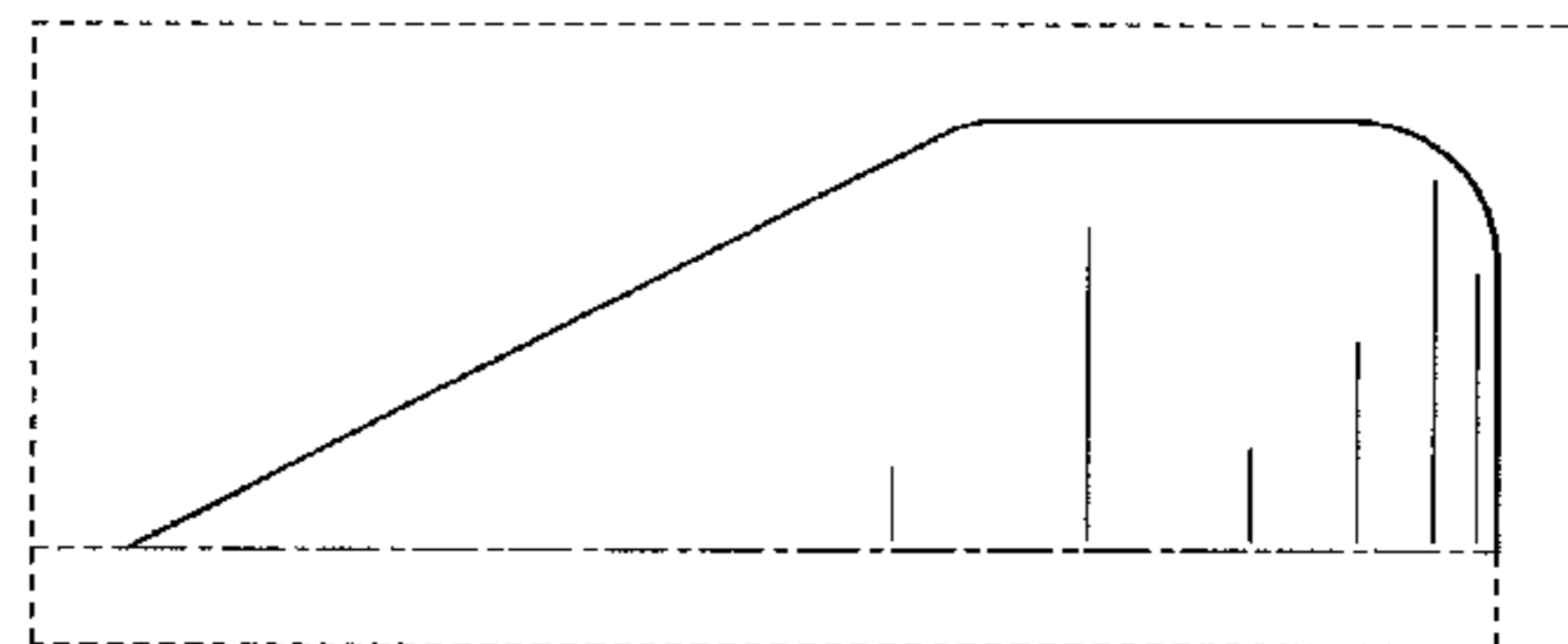
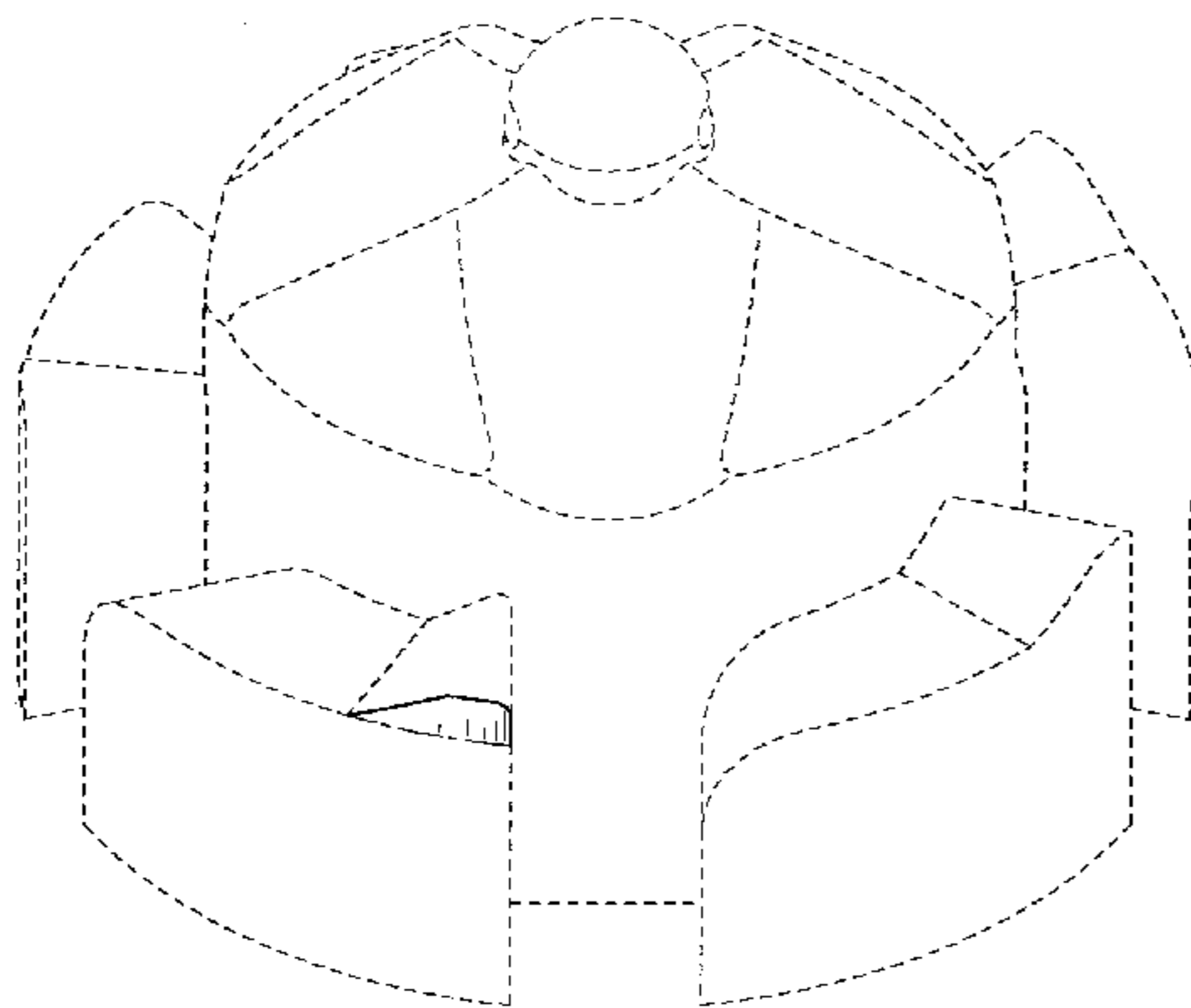
(57) **CLAIM**

The ornamental design for a rotor for taking out tablets, as shown and described.

DESCRIPTION

FIG. 1 is a front perspective view of a first embodiment of a rotor for taking out tablets, showing my new design;
FIG. 2 is a front view thereof;
FIG. 3 is a rear view thereof;
FIG. 4 is a left side view thereof;
FIG. 5 is a right side view thereof;
FIG. 6 is a plan view thereof;
FIG. 7 is a bottom view thereof;
FIG. 8 is an enlarged view of the outlined portion of FIG. 1;
FIG. 9 is a front perspective view of a second embodiment of the rotor for taking out tablets, showing my new design;
FIG. 10 is a front view thereof;
FIG. 11 is a rear view thereof;
FIG. 12 is a left side view thereof;
FIG. 13 is a right side view thereof;
FIG. 14 is a plan view thereof;
FIG. 15 is a bottom view thereof;
FIG. 16 is an enlarged view of the outlined portion of FIG. 9;
FIG. 17 is a front perspective view of a third embodiment of the rotor for taking out tablets, showing my new design;
FIG. 18 is a front view thereof;
FIG. 19 is a rear view thereof;
FIG. 20 is a left side view thereof;
FIG. 21 is a right side view thereof;
FIG. 22 is a plan view thereof;
FIG. 23 is a bottom view thereof; and,
FIG. 24 is an enlarged view of the outlined portion of FIG. 17.
The broken line disclosure represents portions of the rotor which form no part of the claimed design.

1 Claim, 12 Drawing Sheets



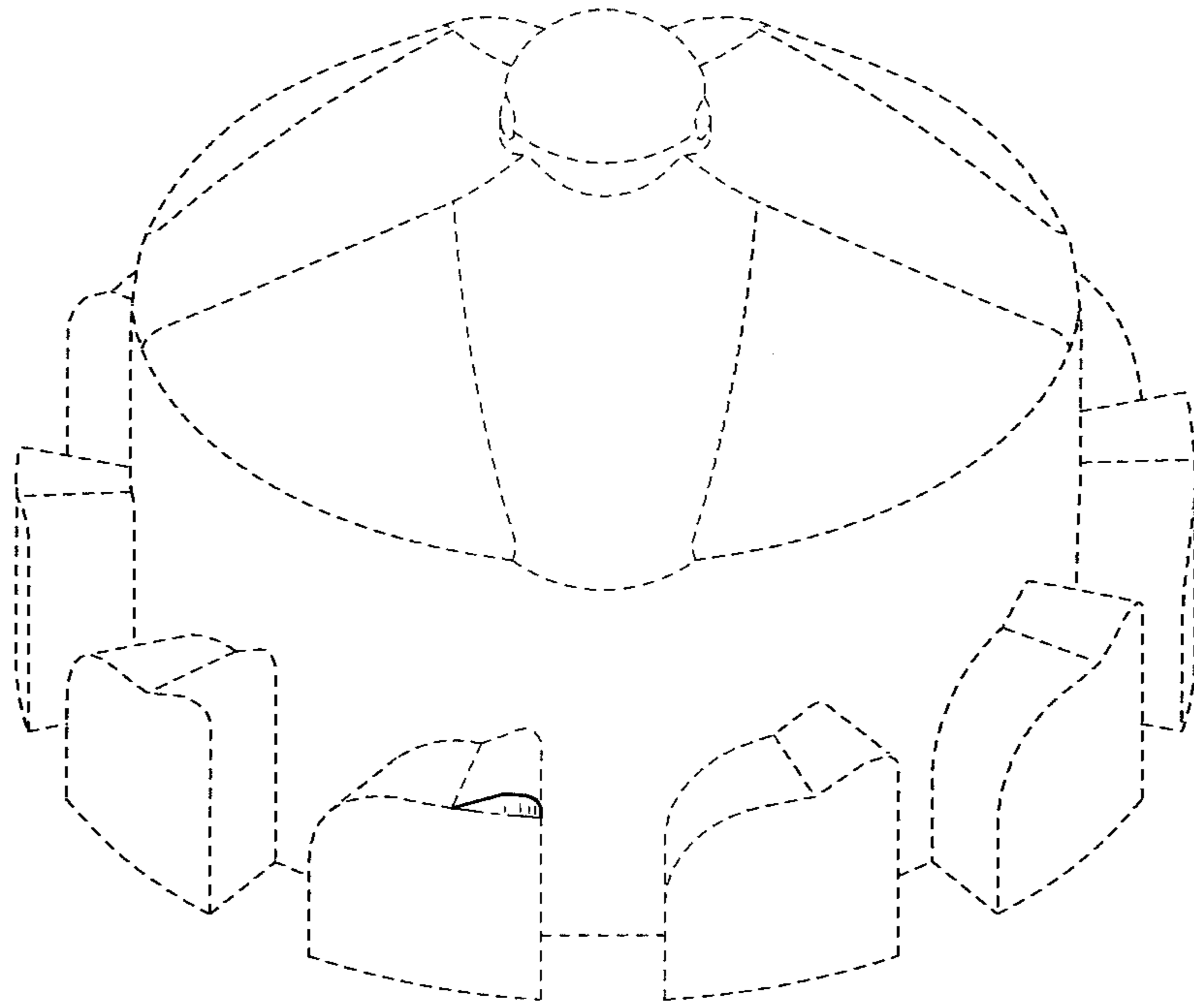


FIG. 1

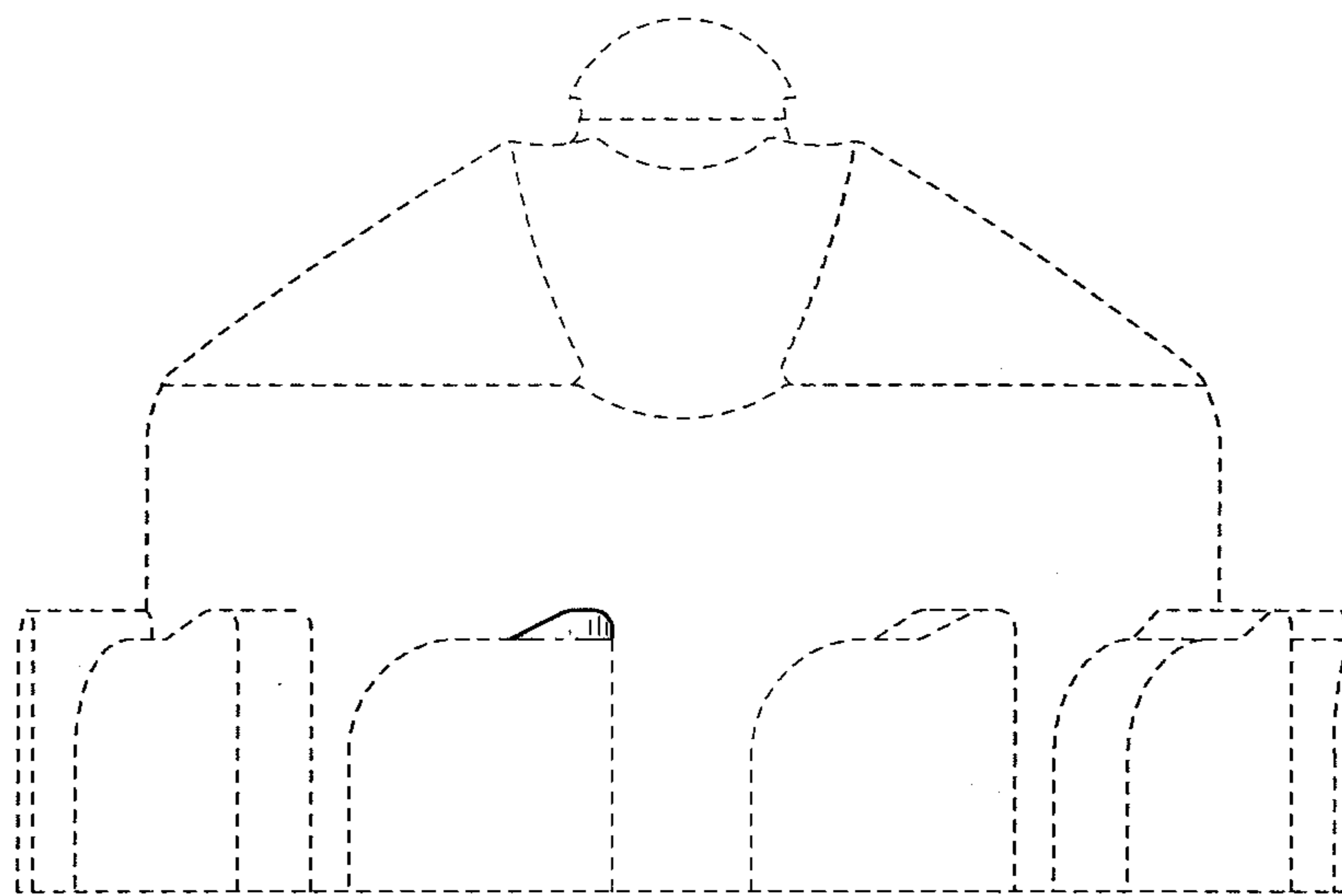


FIG. 2

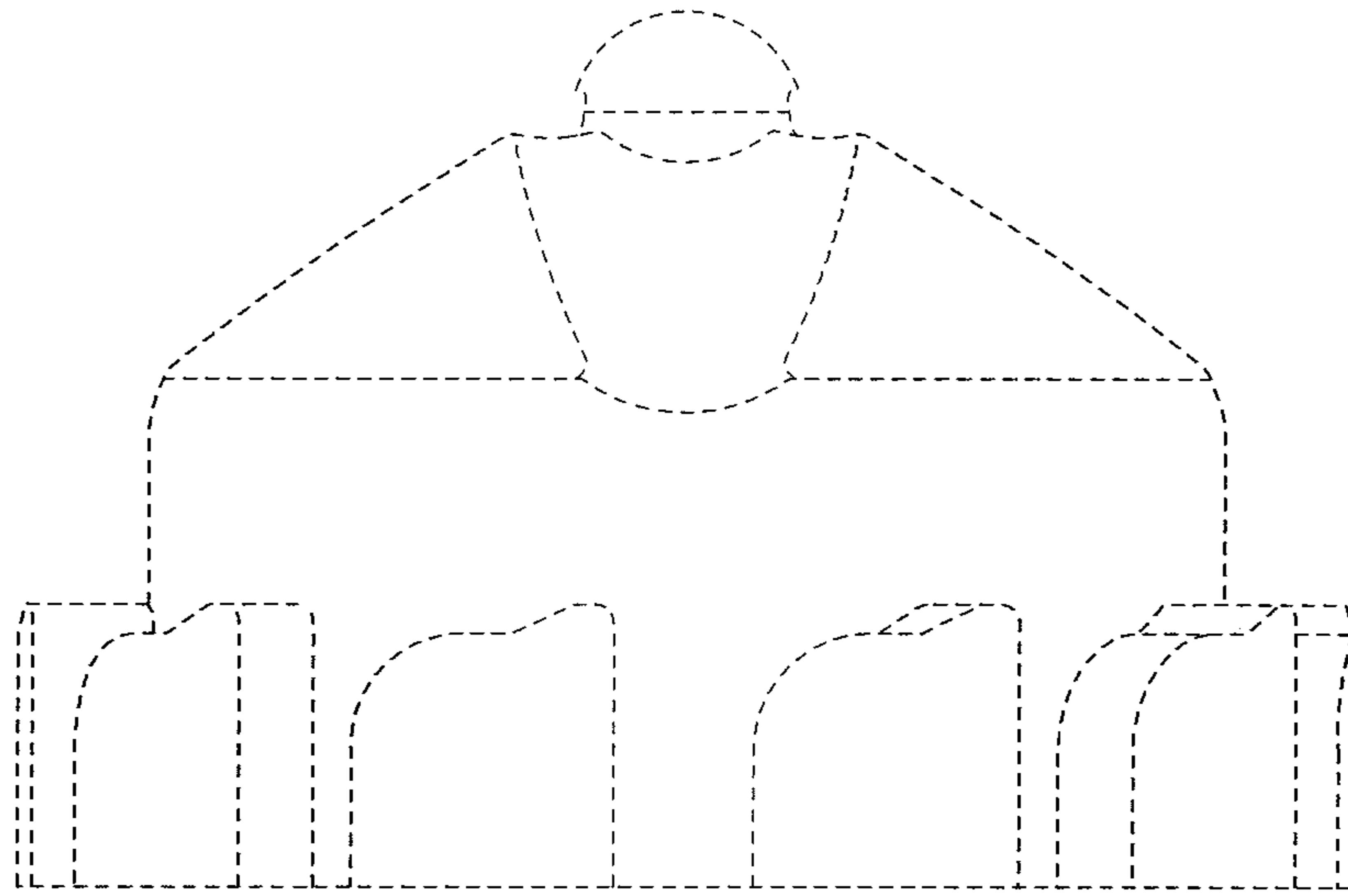


FIG. 3

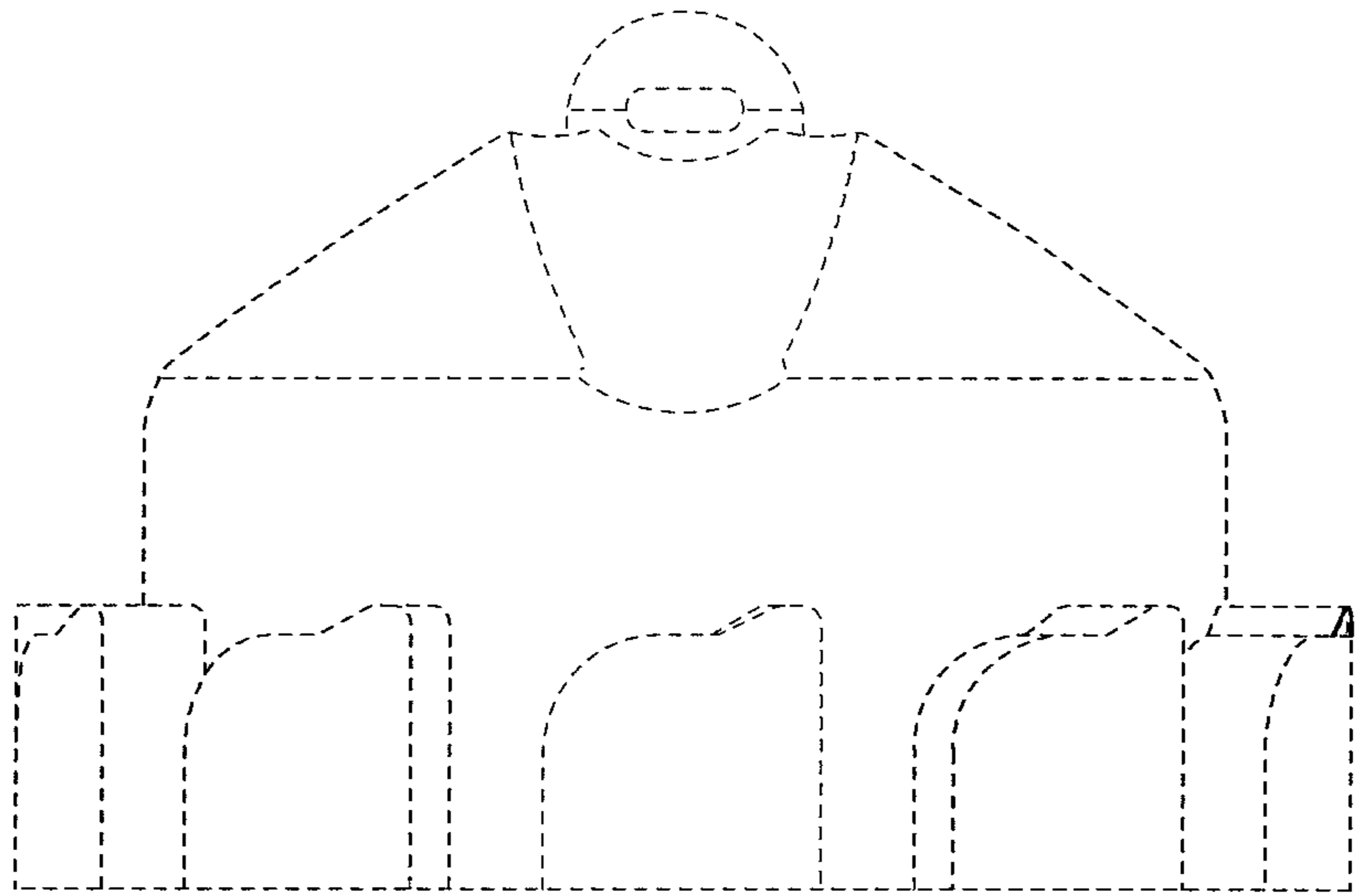


FIG. 4

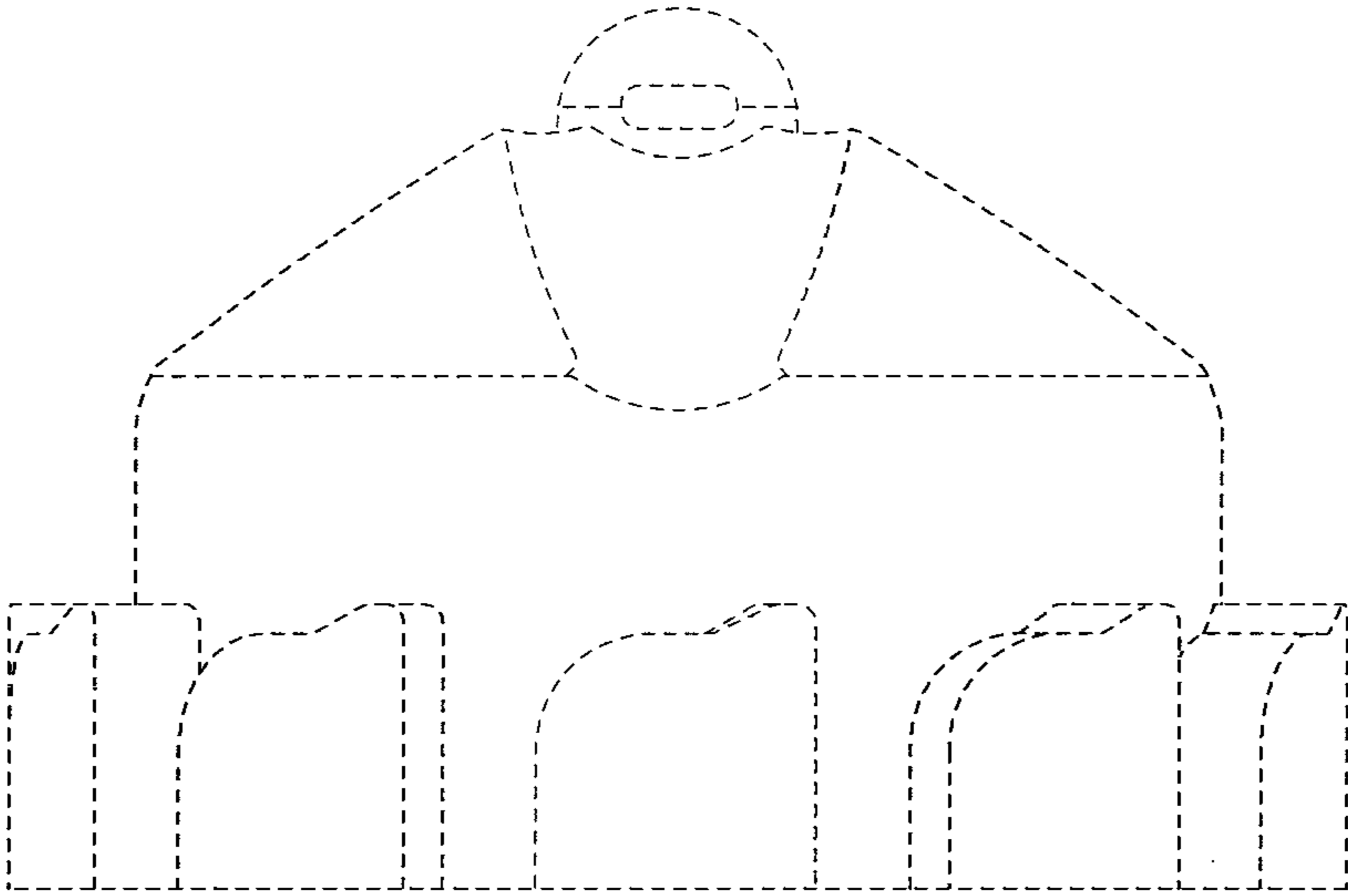


FIG. 5

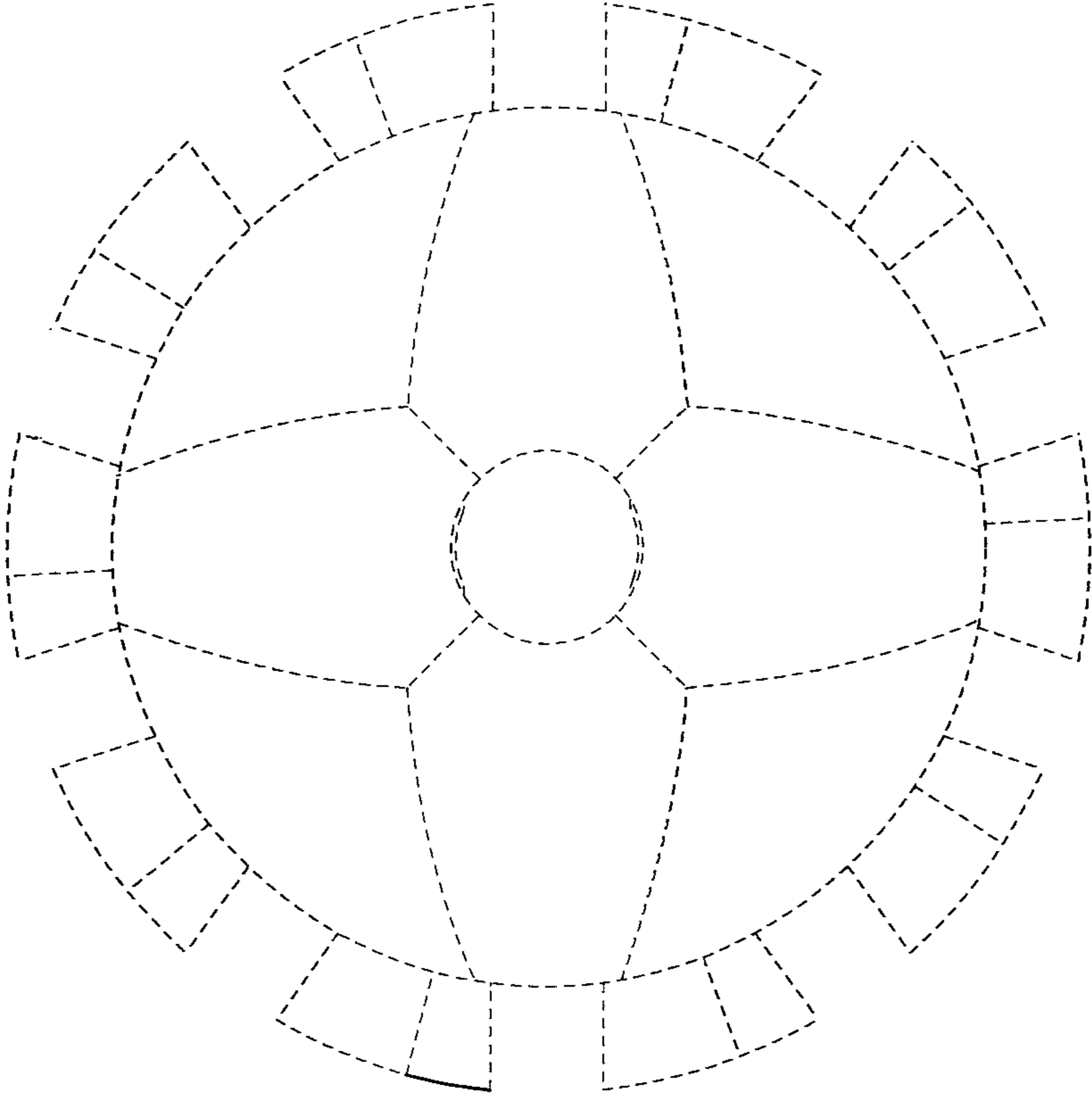


FIG. 6

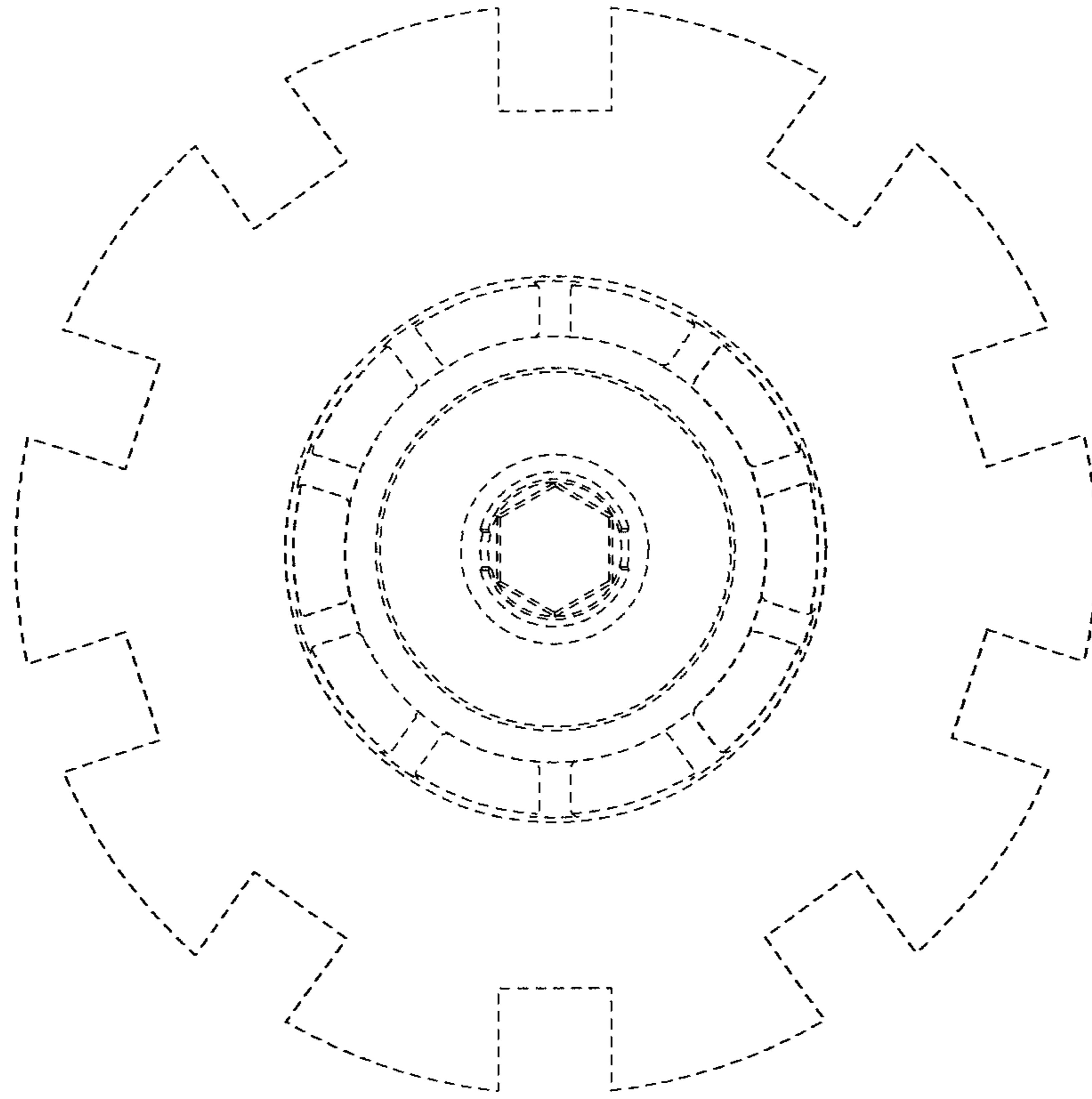


FIG. 7

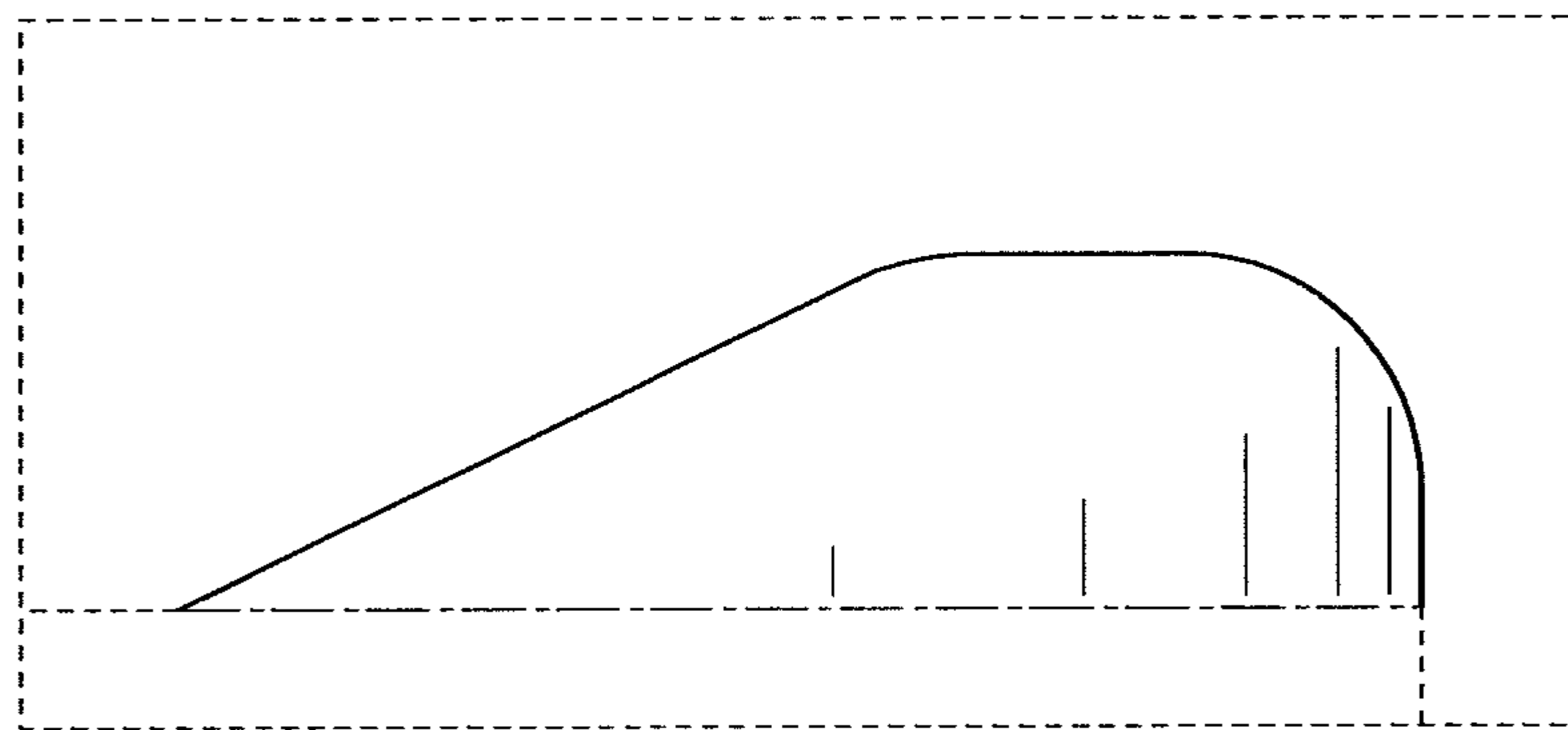


FIG. 8

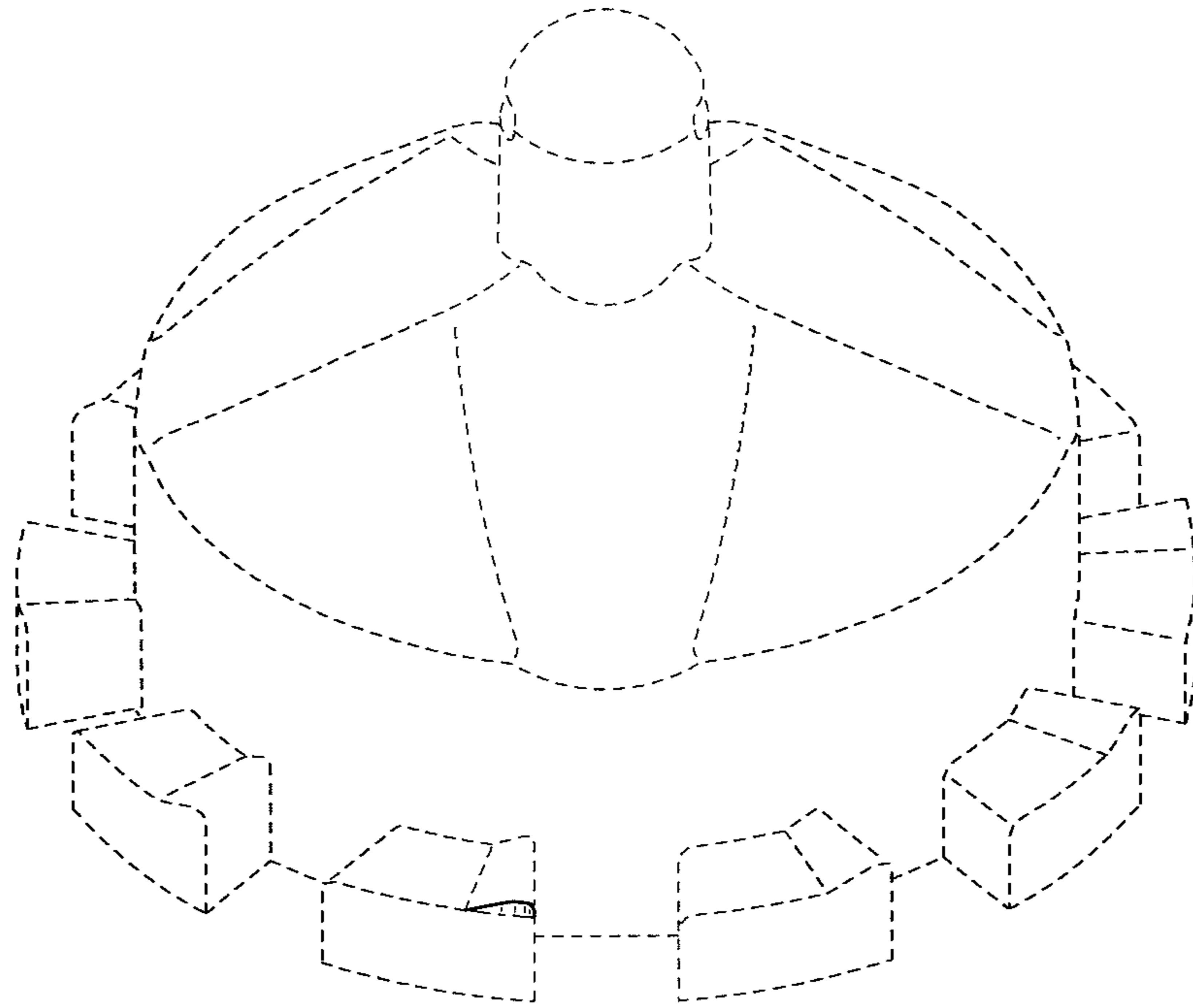


FIG. 9

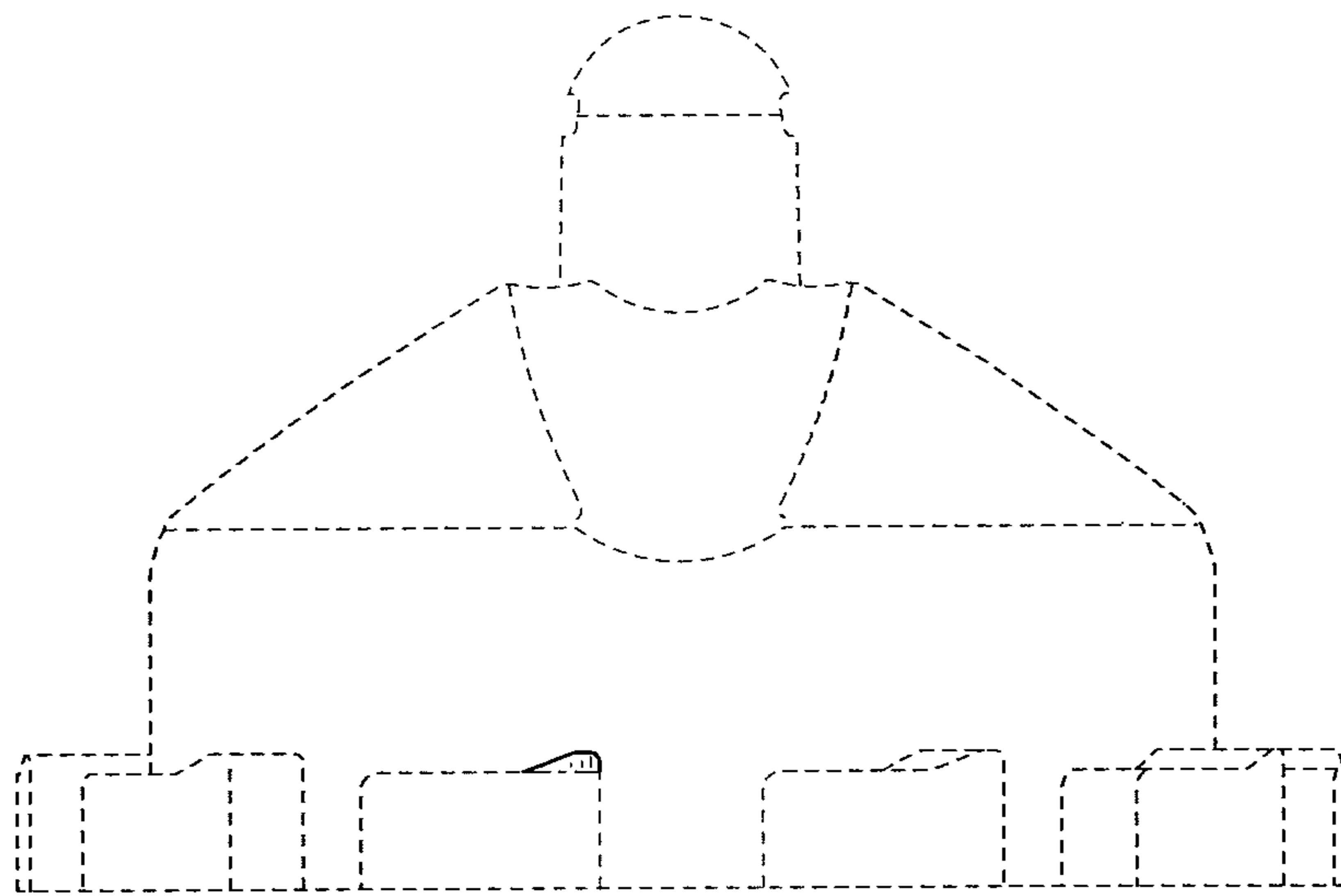


FIG. 10

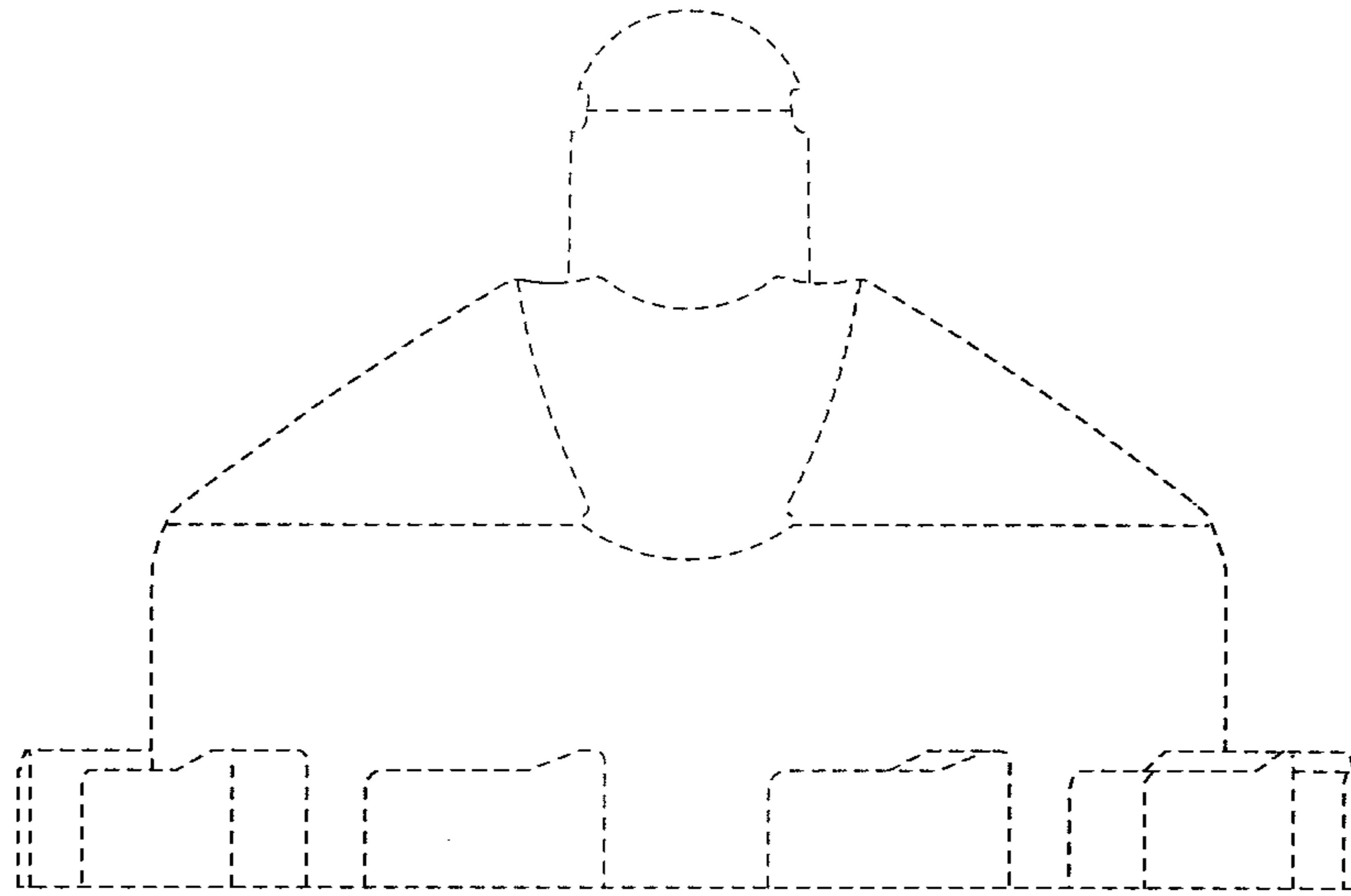


FIG. 11

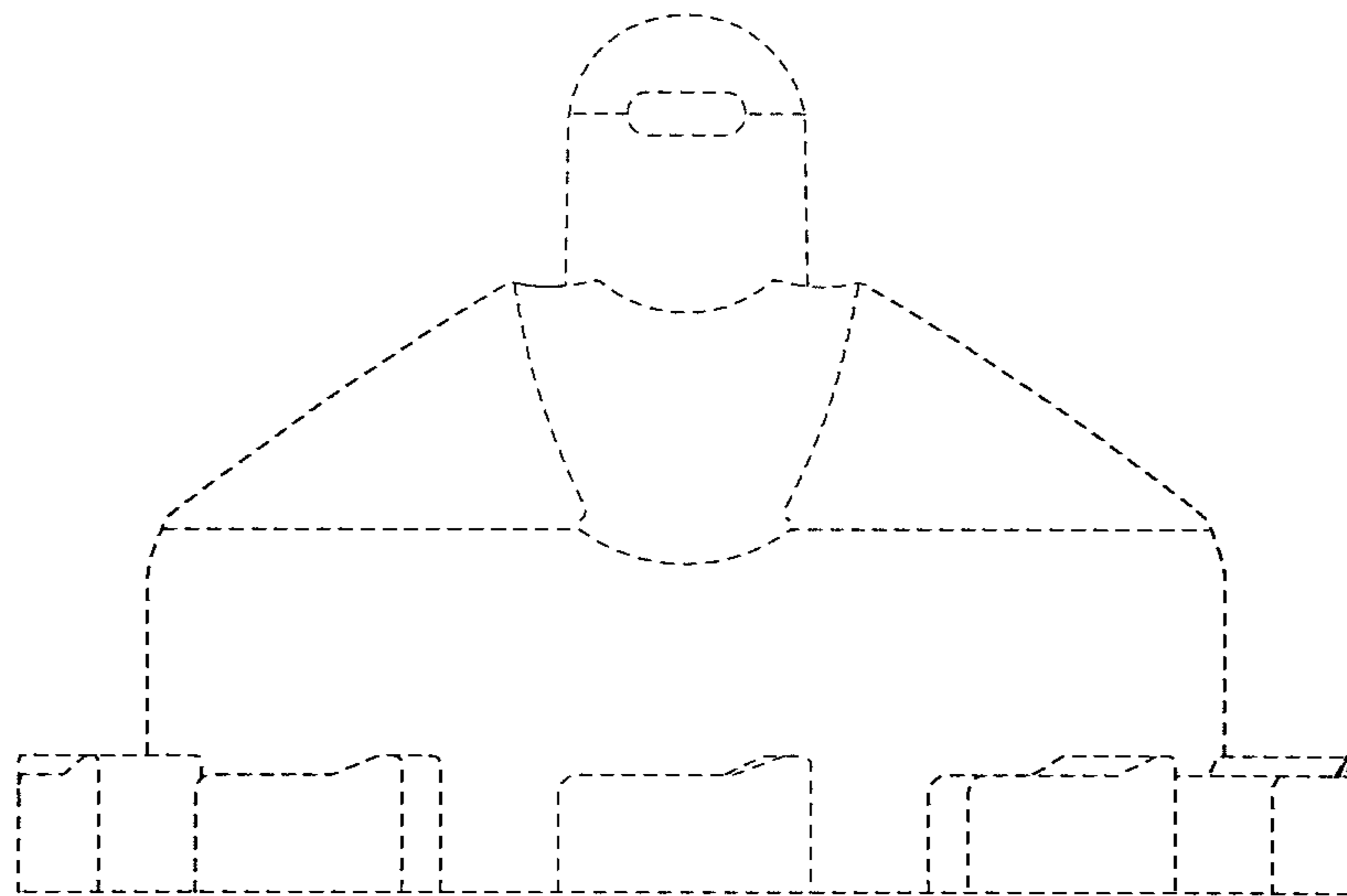


FIG. 12

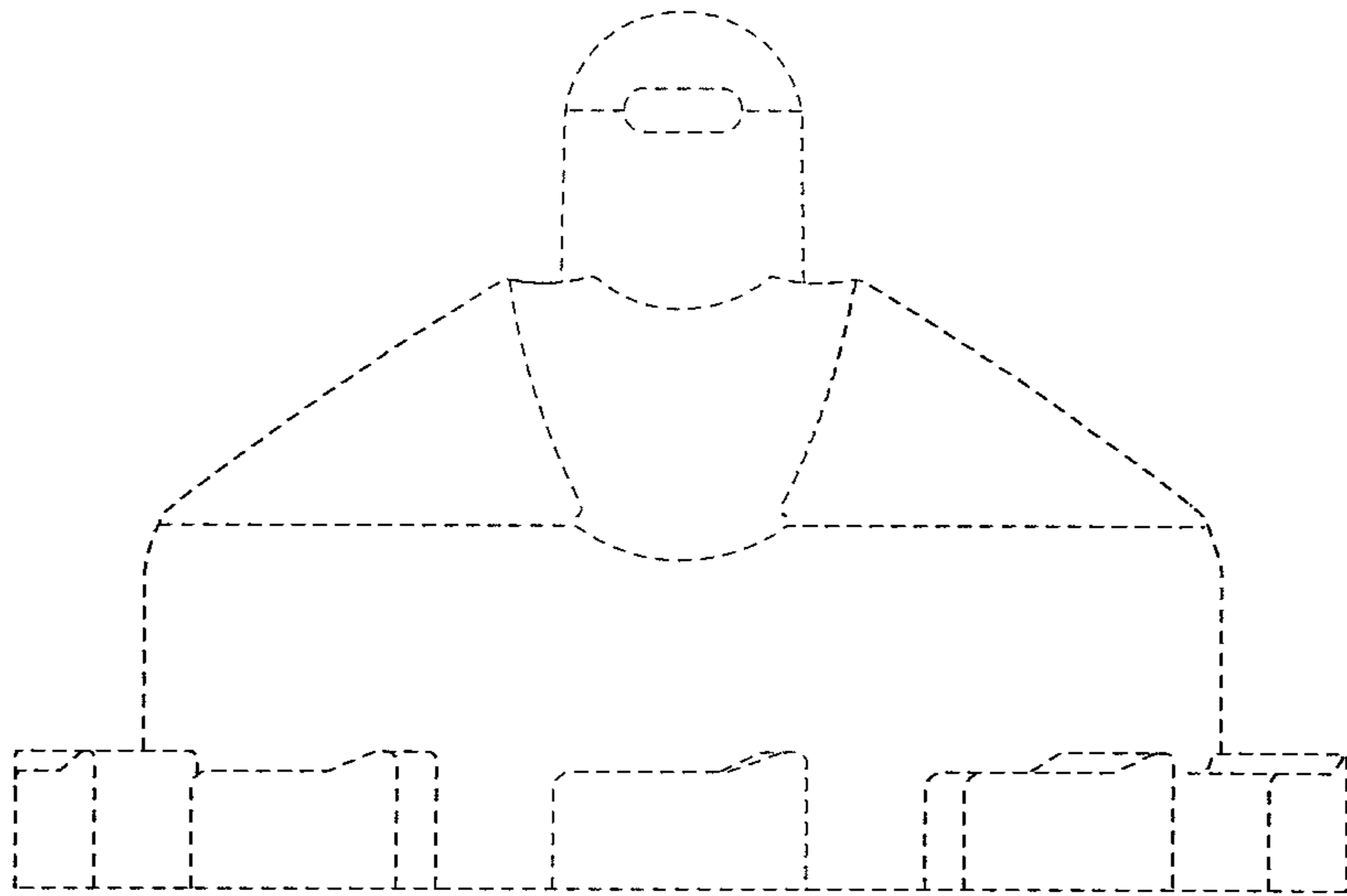


FIG. 13

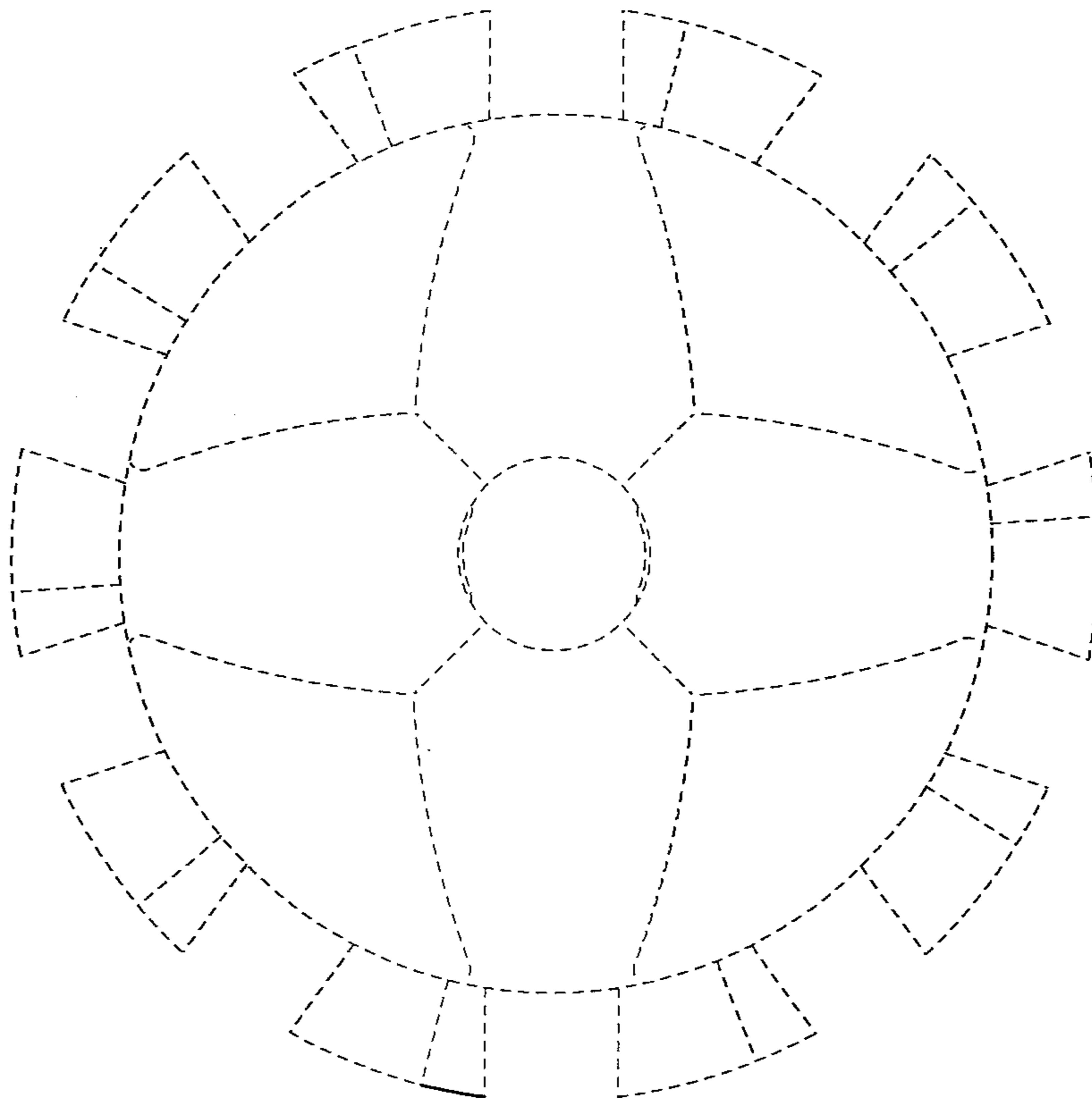


FIG. 14

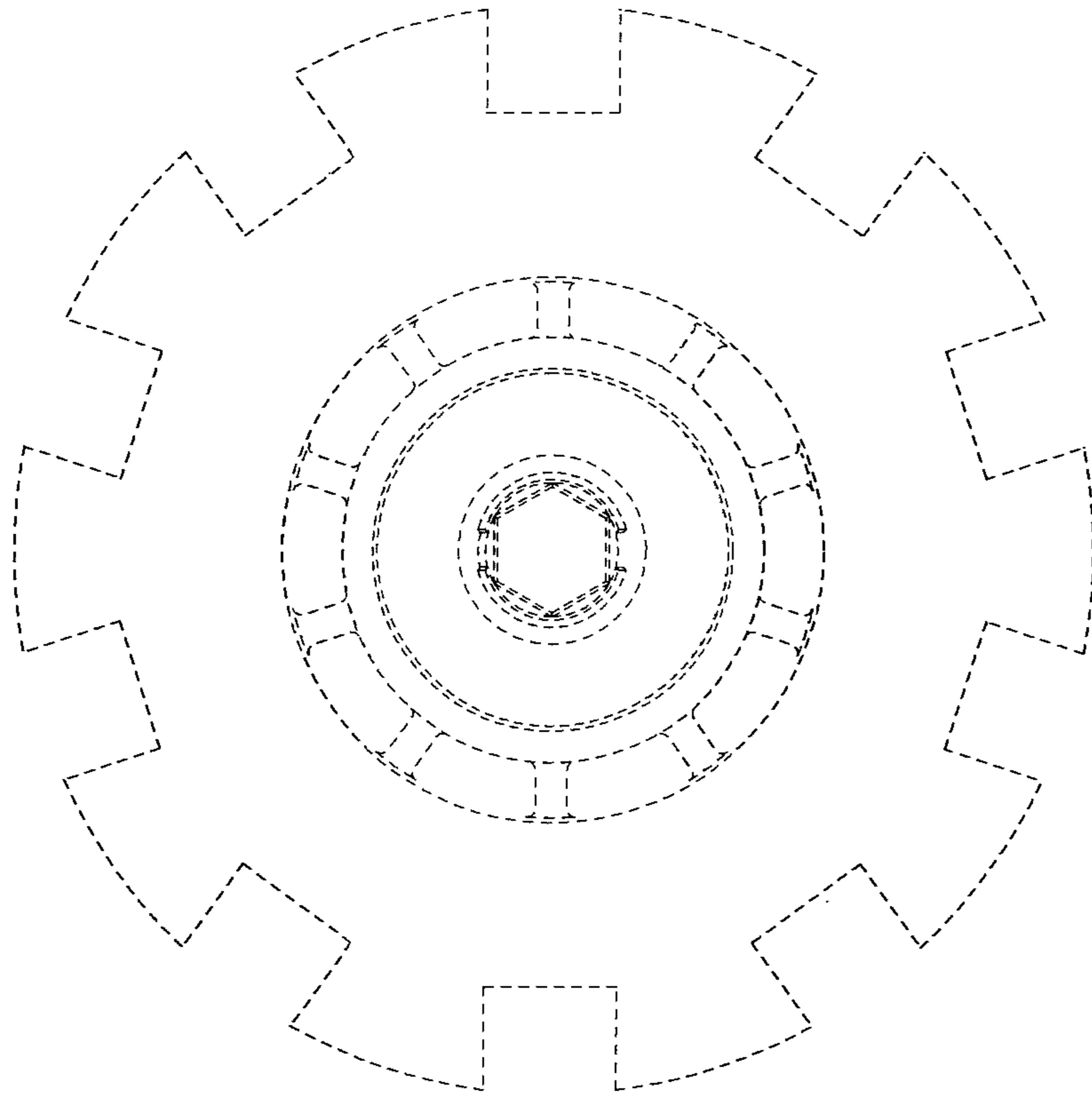


FIG. 15

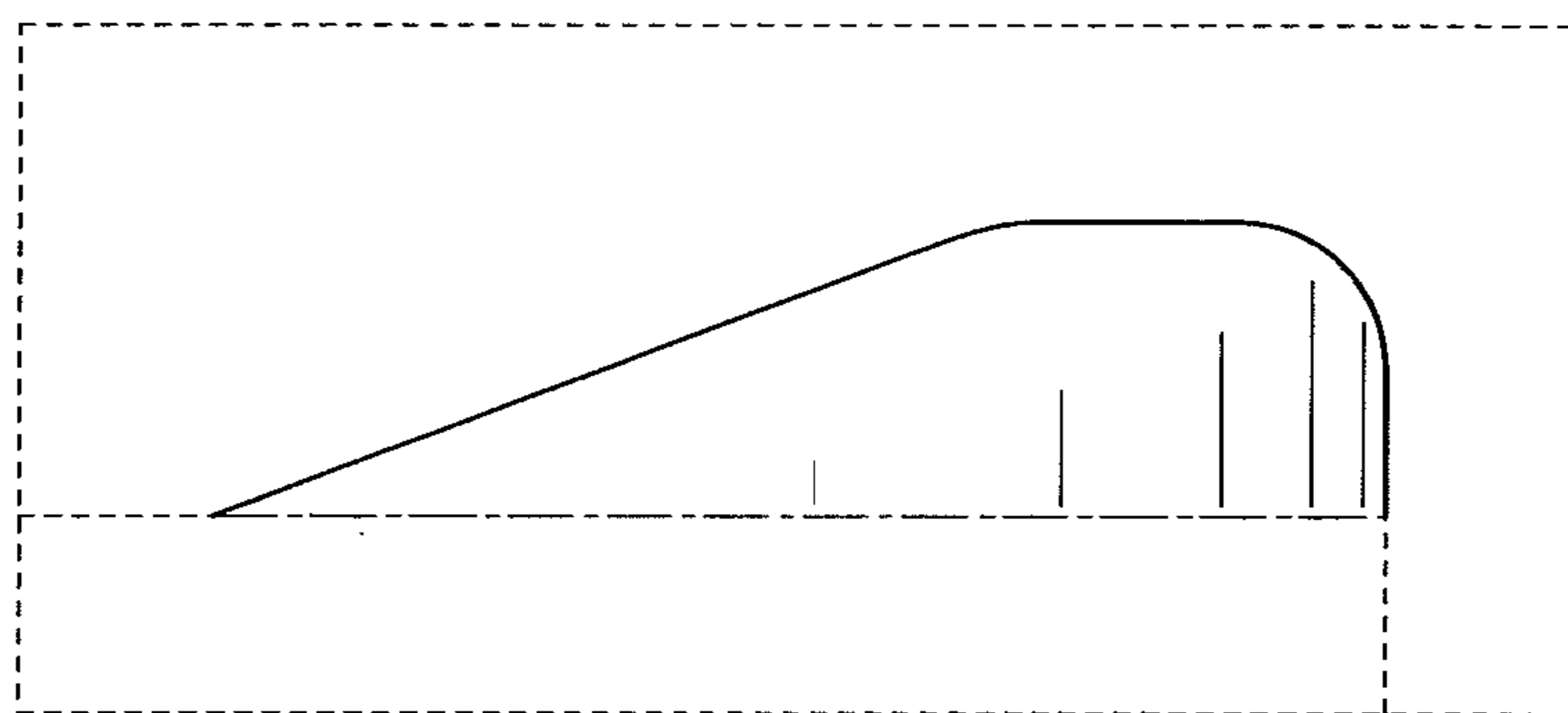


FIG. 16

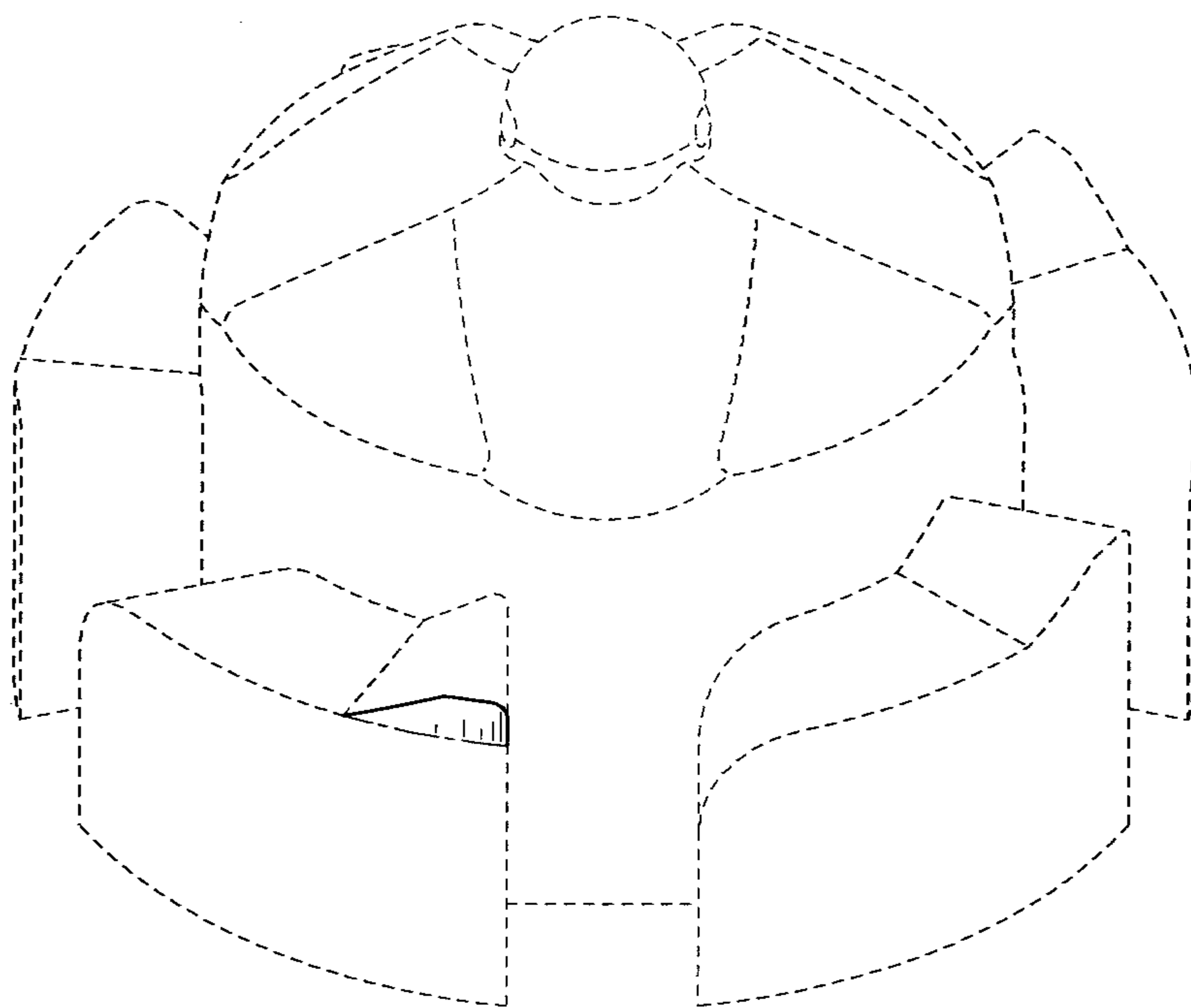


FIG. 17

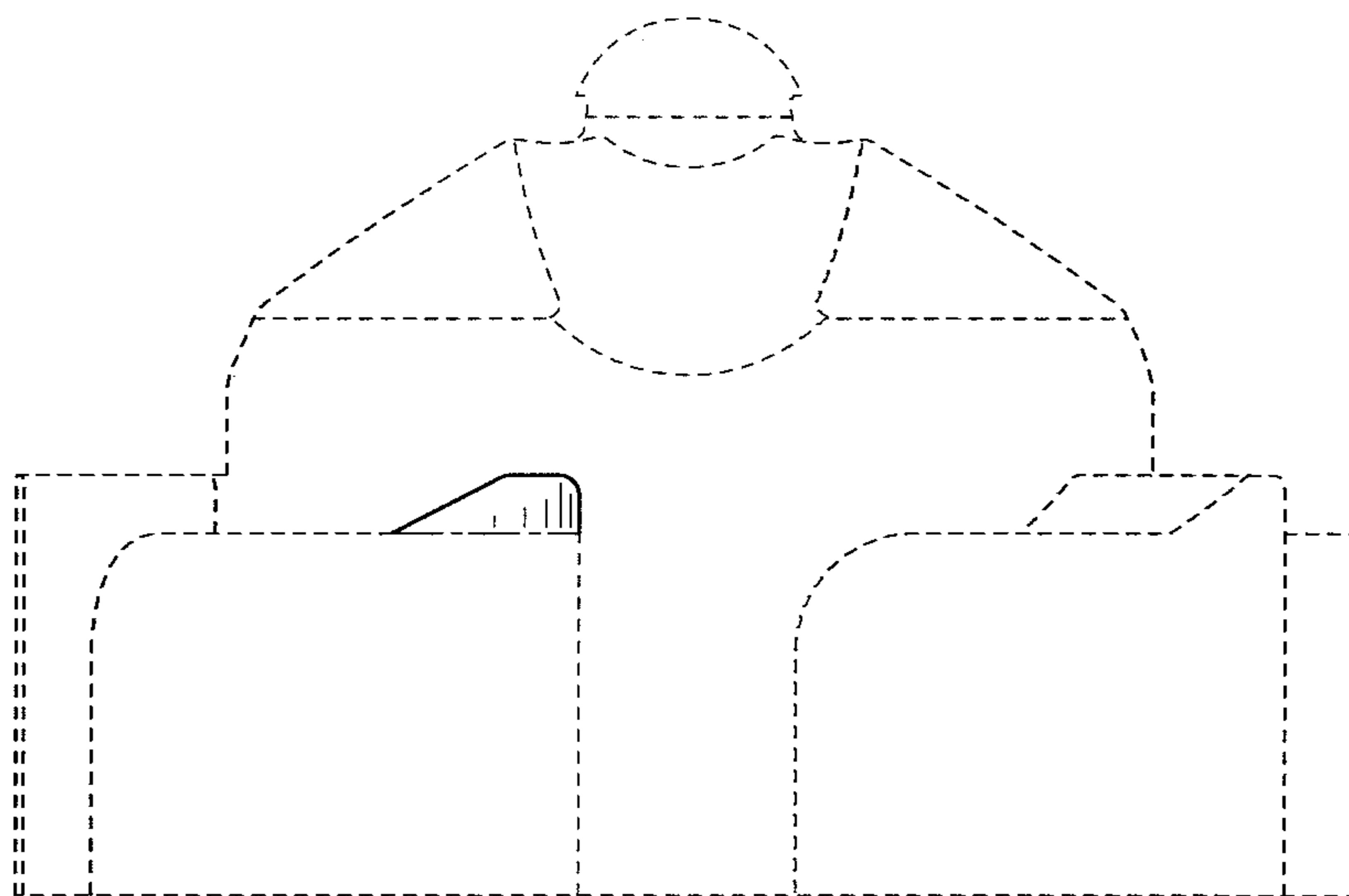


FIG. 18

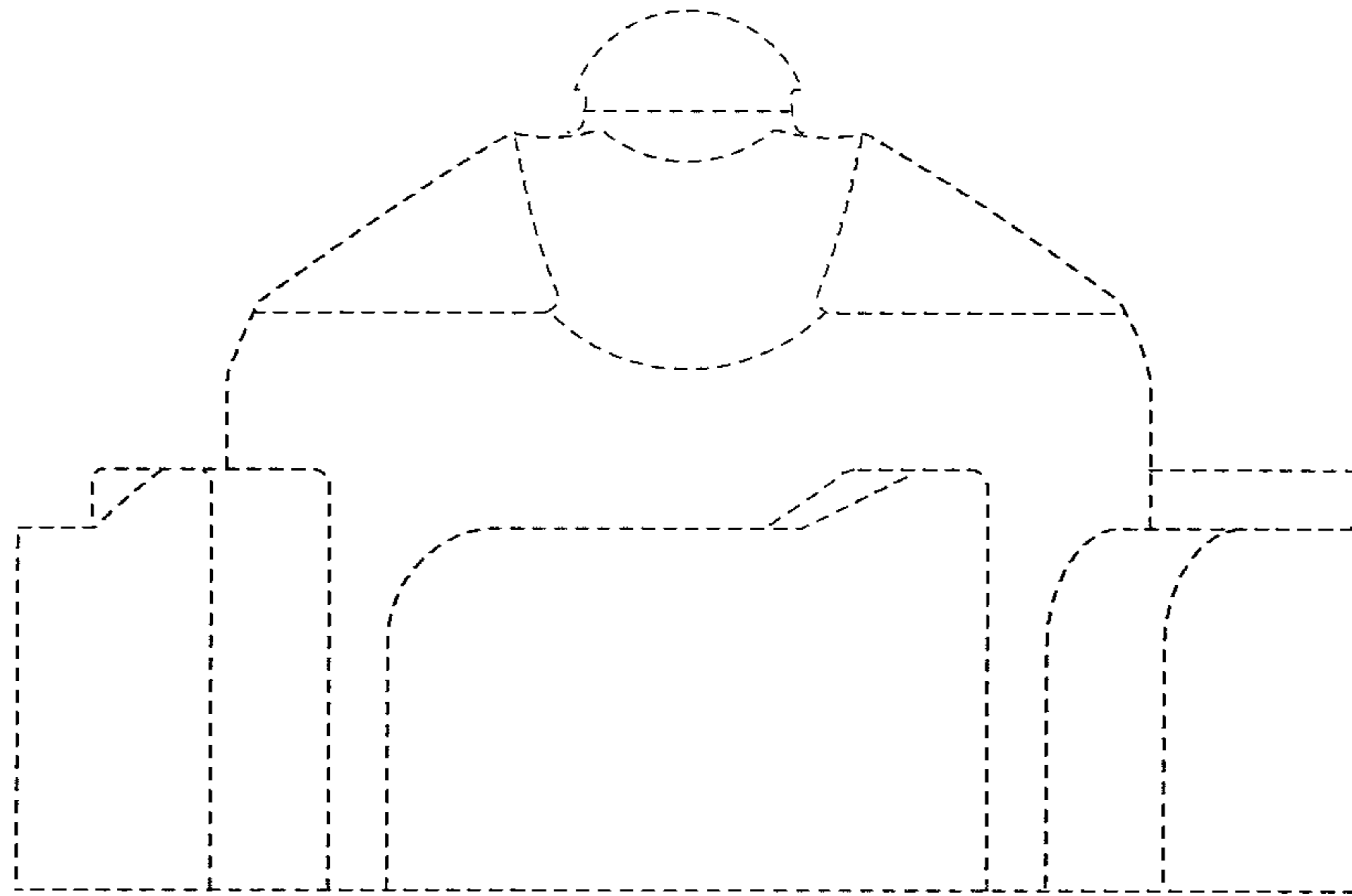


FIG. 19

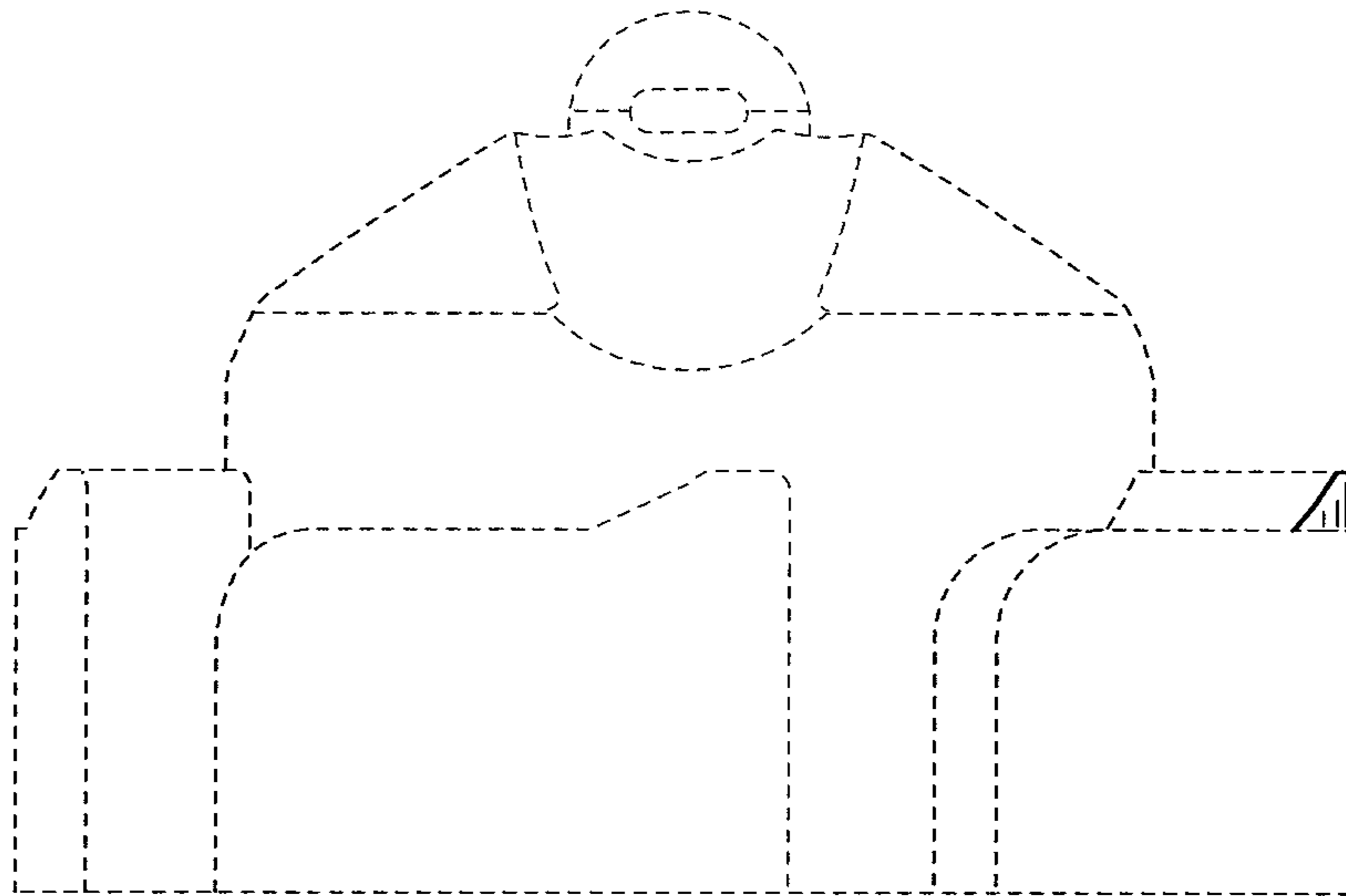


FIG. 20

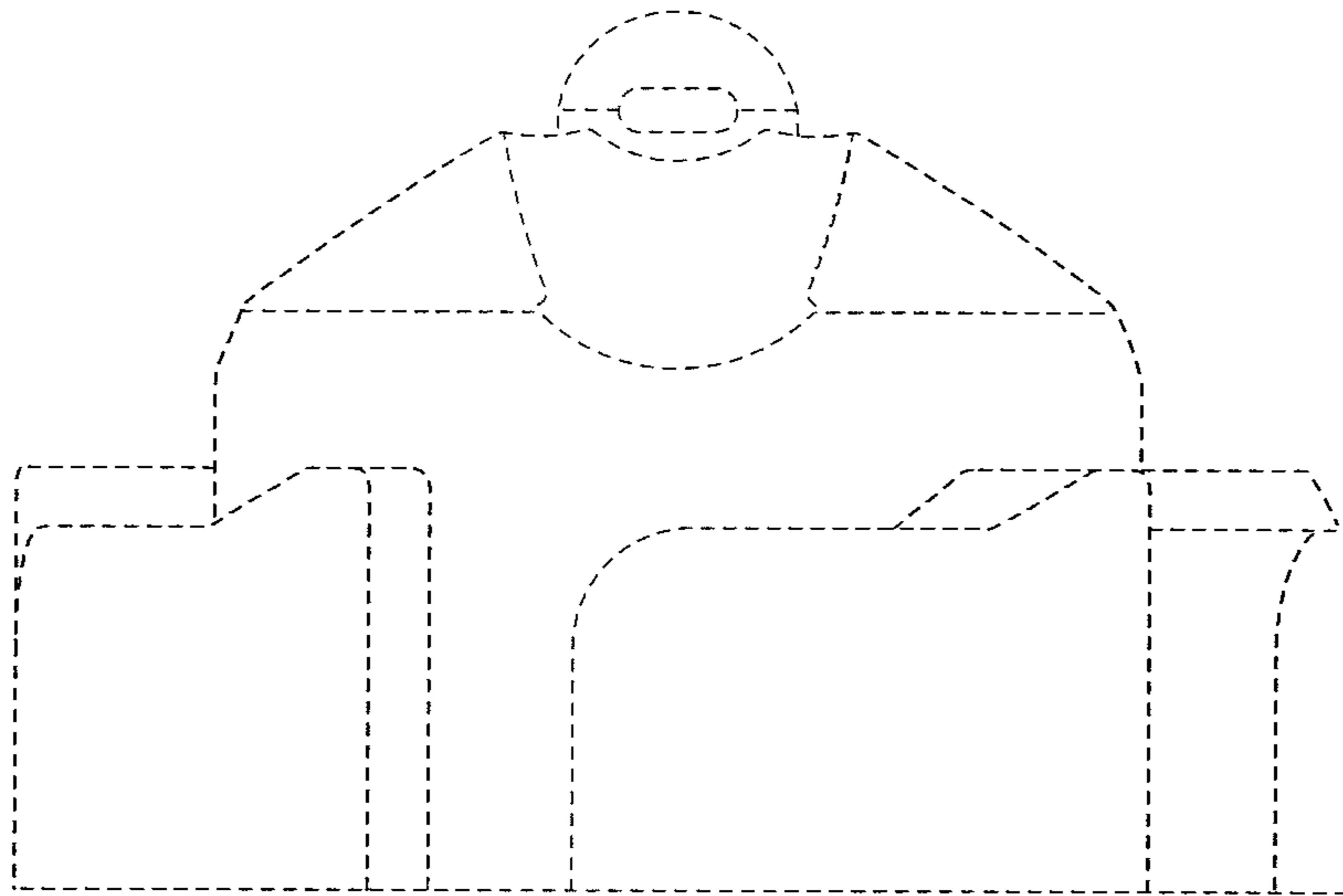


FIG. 21

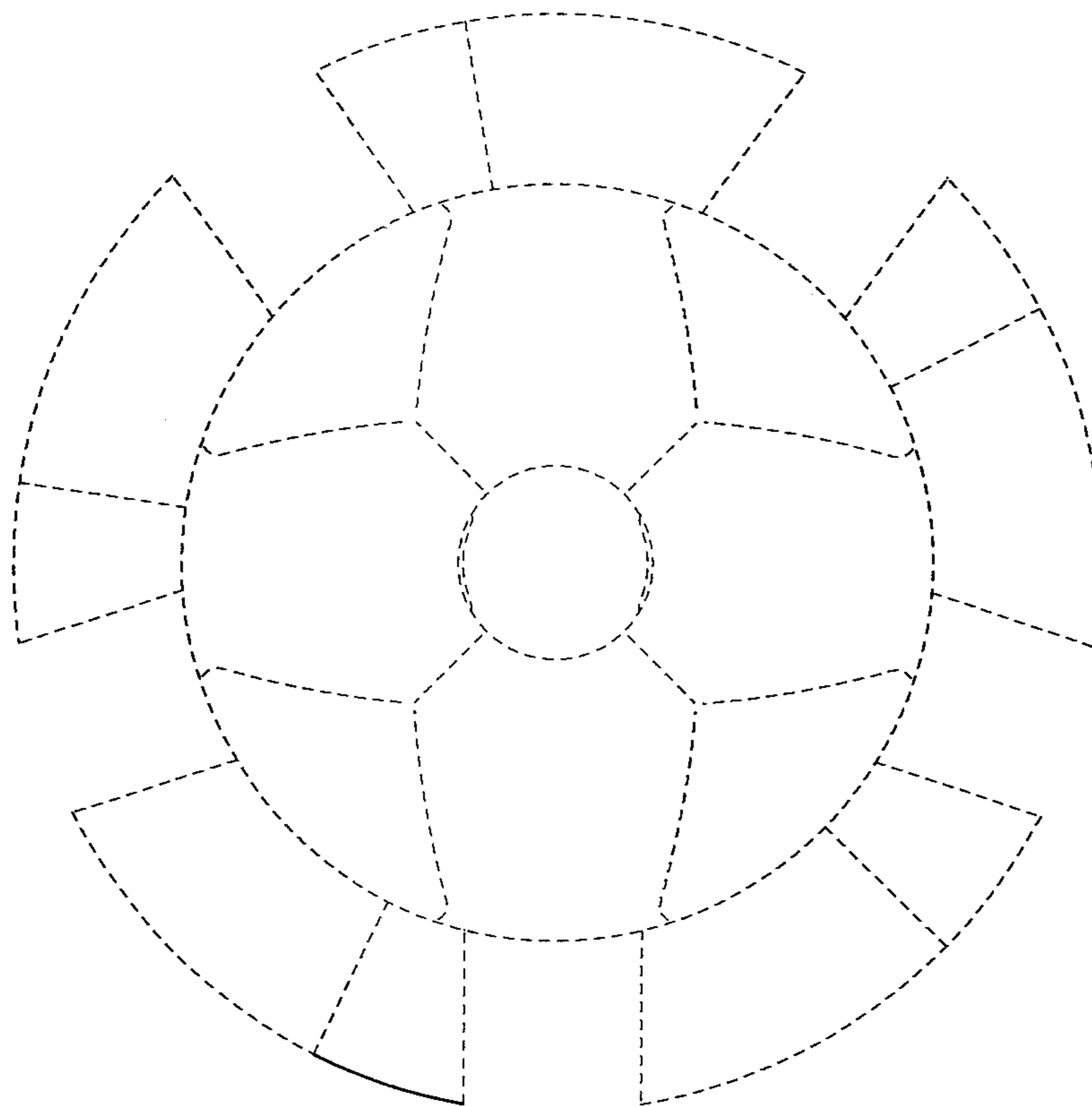


FIG. 22

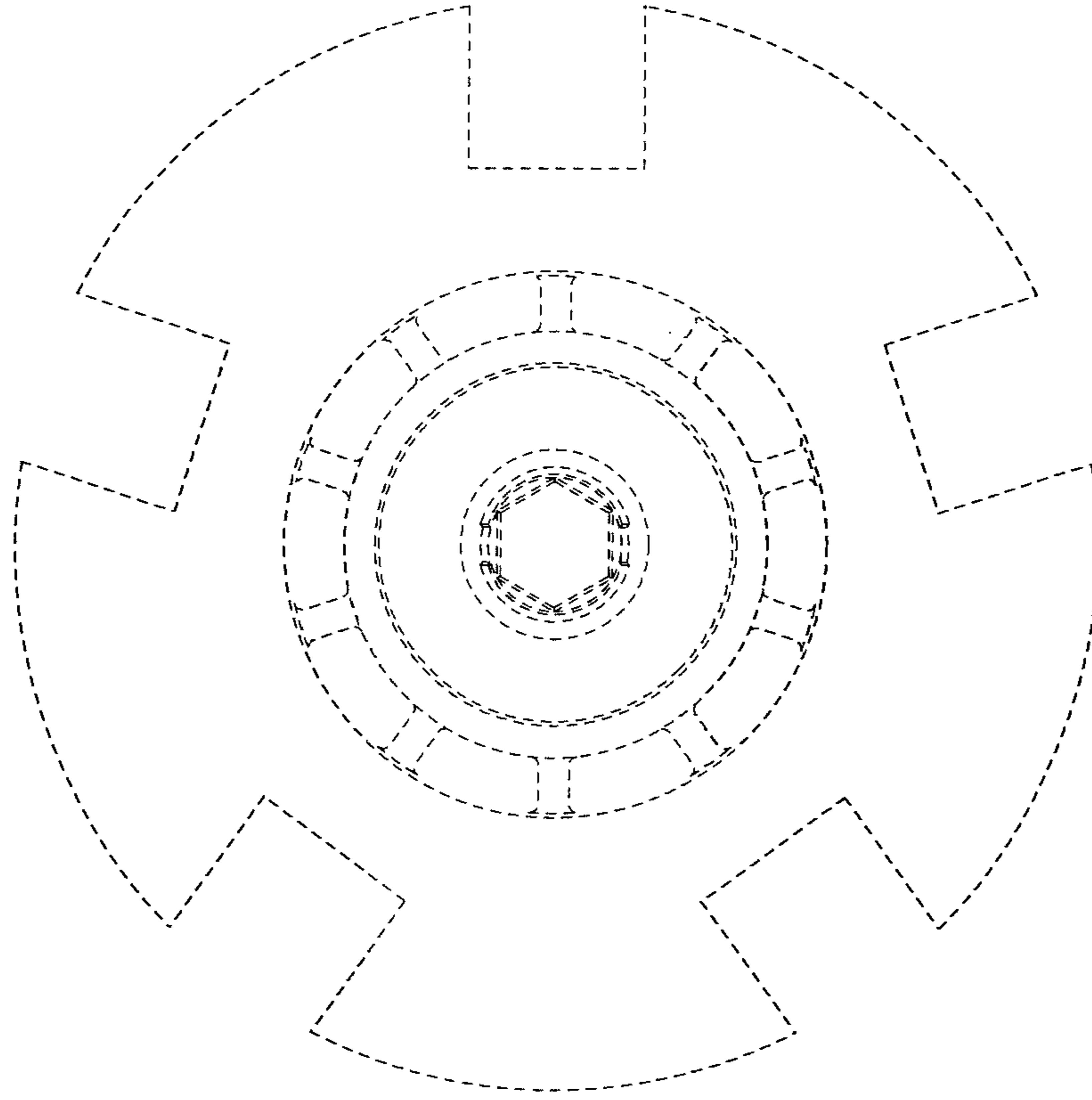


FIG. 23

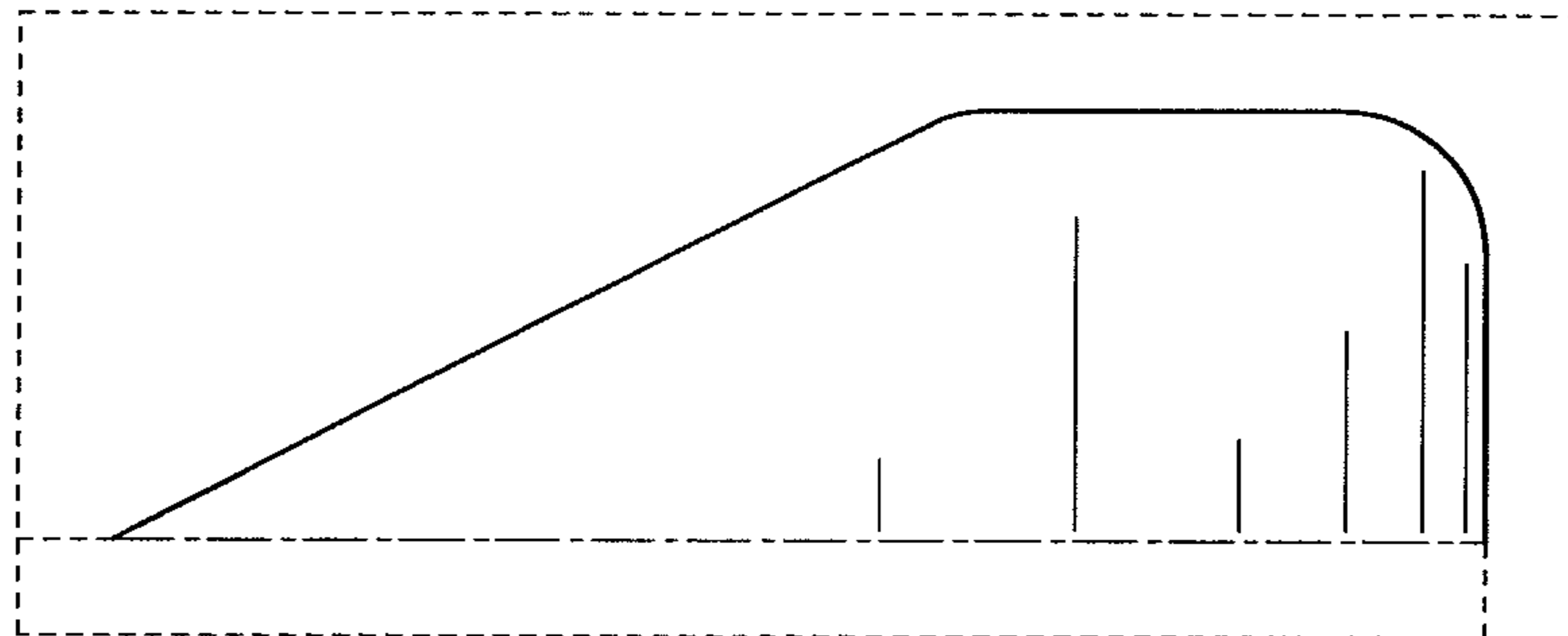


FIG. 24