



US00D731199S

(12) **United States Design Patent**
Wei

(10) **Patent No.:** **US D731,199 S**
(45) **Date of Patent:** **** Jun. 9, 2015**

(54) **CHILDREN'S COT WITHOUT CORNER GAPS**

7,086,100 B1 * 8/2006 Lo 5/110
2003/0074733 A1 * 4/2003 Kelly et al. 5/110
2005/0039257 A1 * 2/2005 Kelly et al. 5/110

(71) Applicant: **Chih-Chi Wei**, Taichung (TW)

* cited by examiner

(72) Inventor: **Chih-Chi Wei**, Taichung (TW)

Primary Examiner — Janice Seeger

(**) Term: **14 Years**

(74) *Attorney, Agent, or Firm* — Stroock & Stroock & Lavan LLP

(21) Appl. No.: **29/475,460**

(57) **CLAIM**
The ornamental design for children's cot without corner gaps, as shown and described.

(22) Filed: **Dec. 3, 2013**

DESCRIPTION

(51) **LOC (10) Cl.** **06-02**

(52) **U.S. Cl.**

USPC **D6/382**

(58) **Field of Classification Search**

USPC D6/382, 383, 392; 5/110, 111, 112, 5/310, 907, 114

See application file for complete search history.

FIG. 1 is a perspective view of children's cot without corner gaps showing my new design;
FIG. 2 is a front elevational view thereof;
FIG. 3 is a left side elevational view thereof; and,
FIG. 4 is a top plan view thereof.

The rear elevational view is identical to the front elevational view.

The right side elevational view is identical to the left side elevational view.

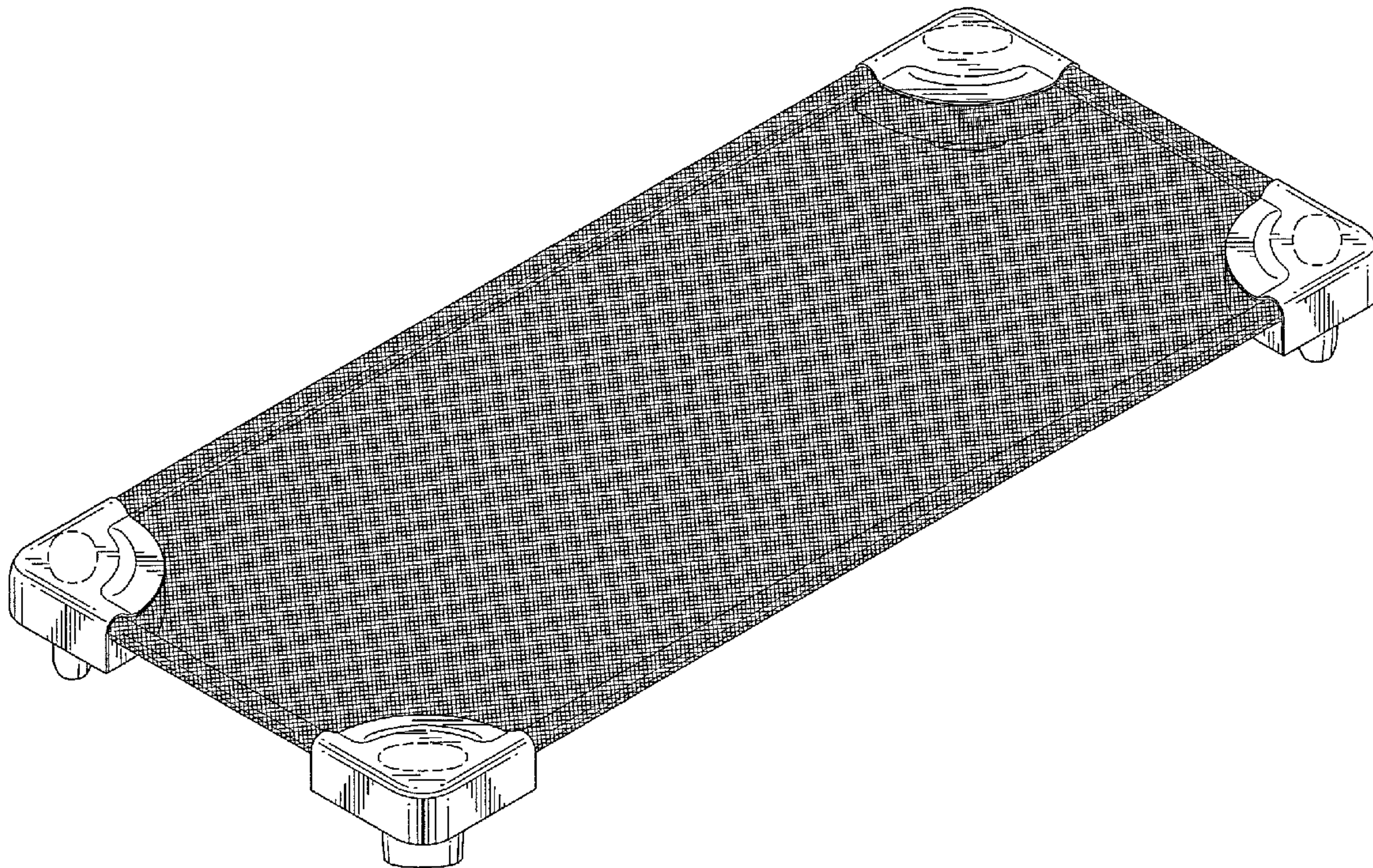
The portions shown in dashed lines do not form part of the design.

(56) **References Cited**

U.S. PATENT DOCUMENTS

2,992,442 A * 7/1961 Lehman et al. 5/114
6,701,548 B2 * 3/2004 Vigneron 5/110

1 Claim, 4 Drawing Sheets



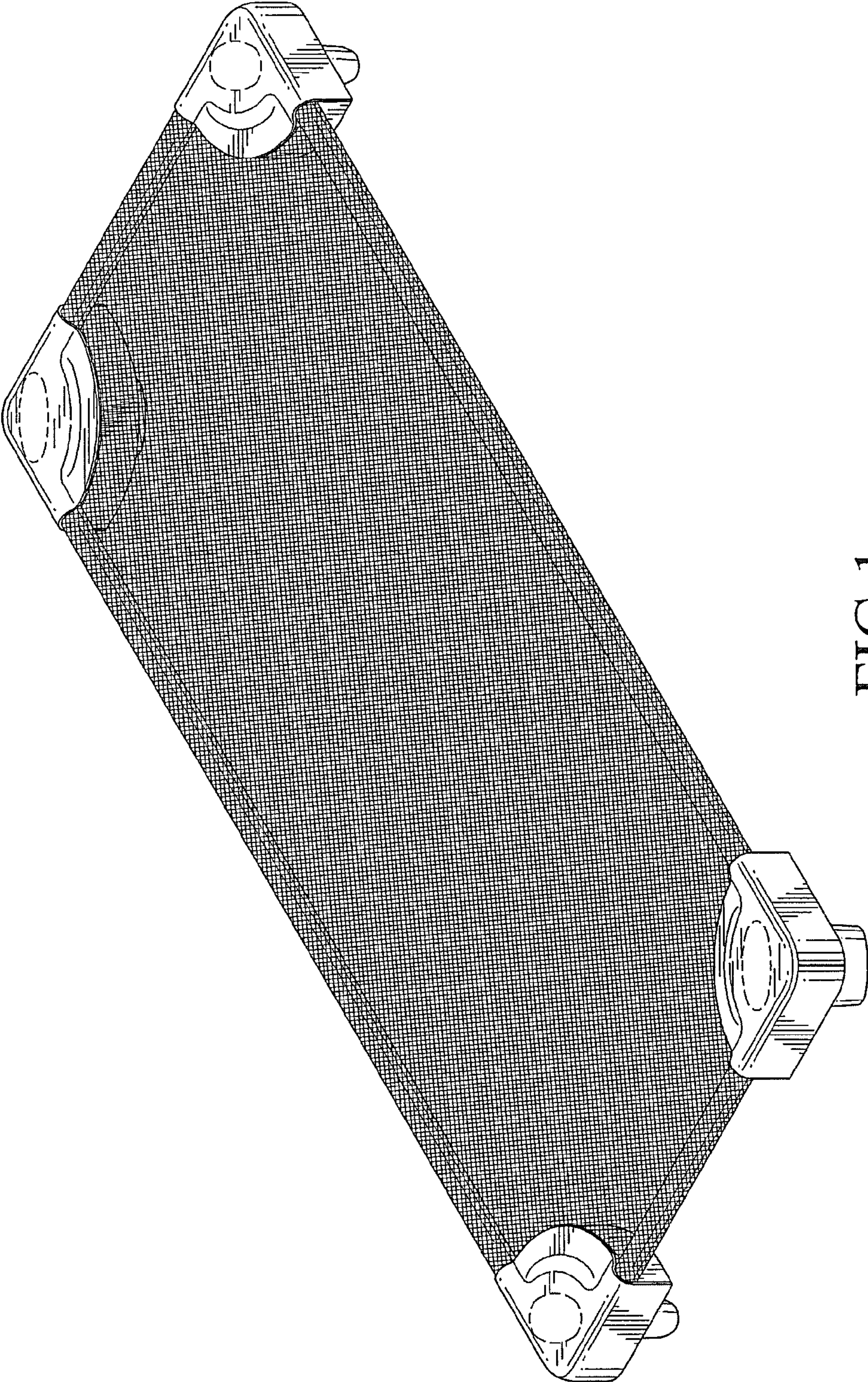


FIG. 1

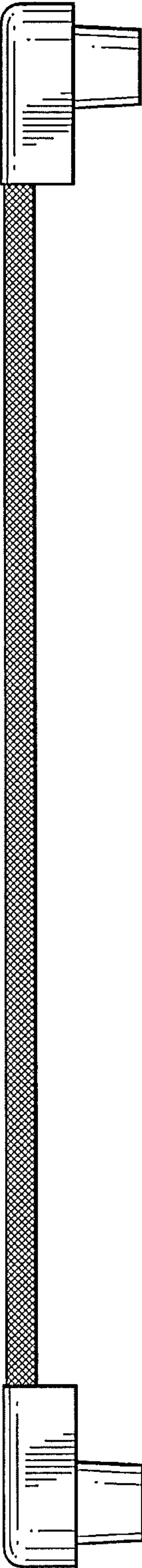


FIG.2

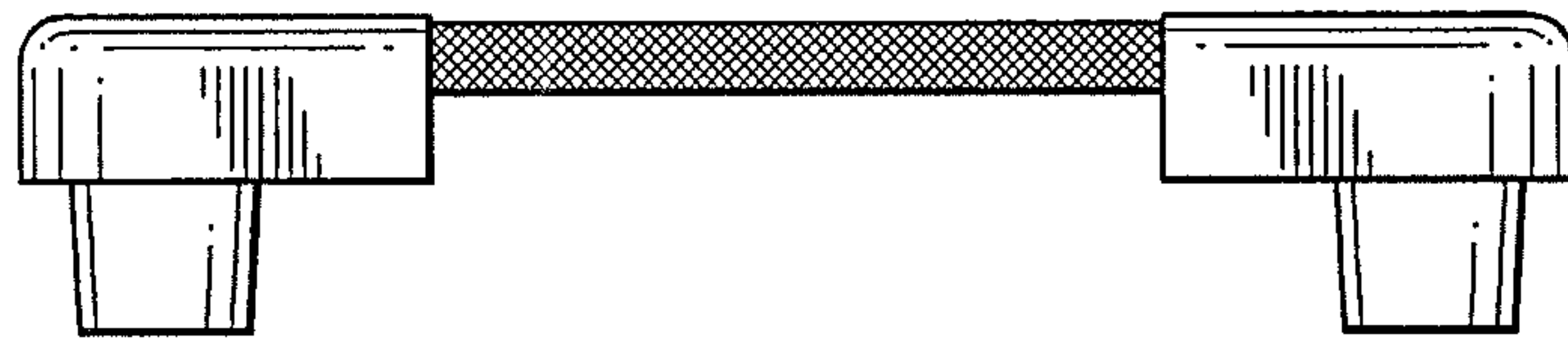


FIG.3

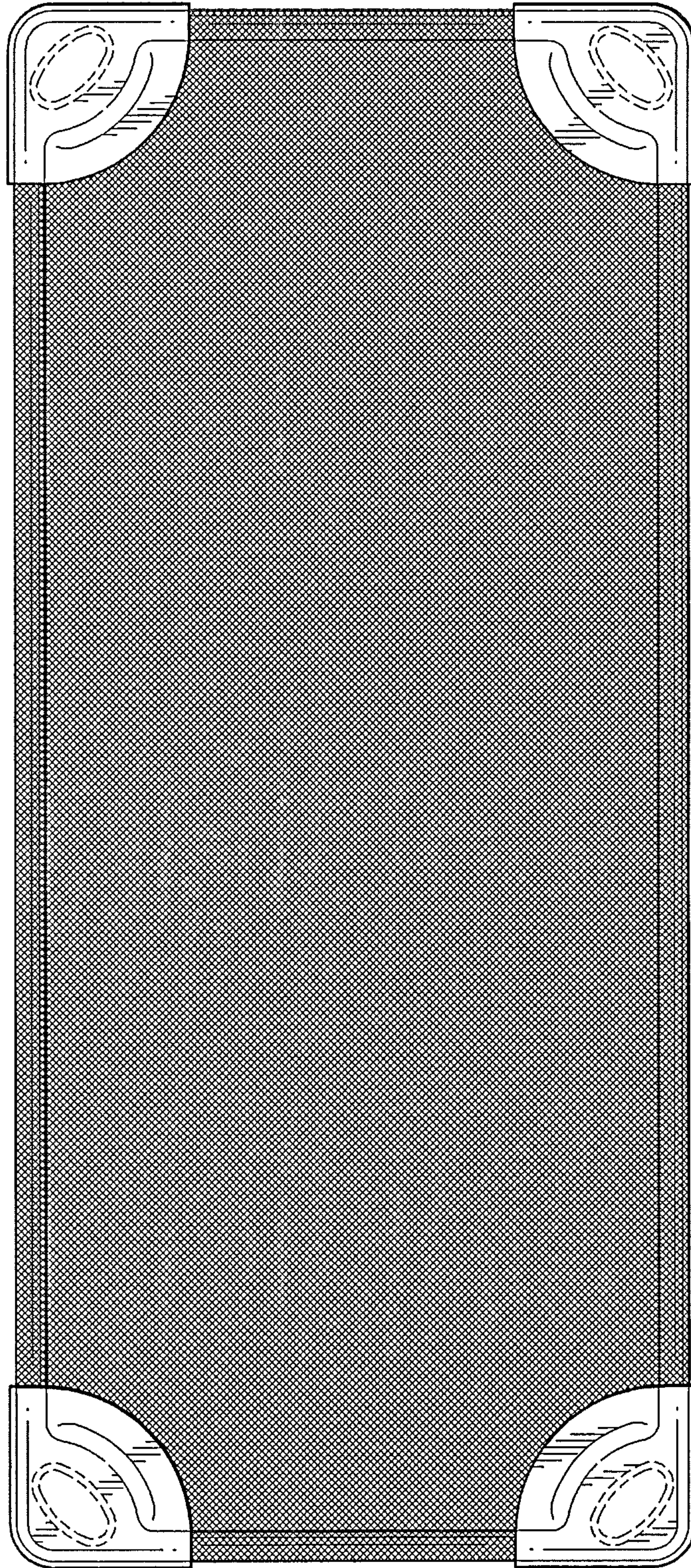


FIG.4