



US00D731198S

(12) **United States Design Patent**
Podsiadlo

(10) **Patent No.:** **US D731,198 S**
(45) **Date of Patent:** **** Jun. 9, 2015**

(54) **SECTIONAL SOFA**

(71) Applicant: **Gus Design Group Inc.**, Toronto (CA)

(72) Inventor: **David Podsiadlo**, Toronto (CA)

(73) Assignee: **Gus Design Group Inc.**, Toronto (CA)

(**) Term: **14 Years**

(21) Appl. No.: **29/501,900**

(22) Filed: **Sep. 9, 2014**

(30) **Foreign Application Priority Data**

Jul. 16, 2014 (CA) 157696

(51) **LOC (10) Cl.** **06-01**

(52) **U.S. Cl.**
USPC **D6/381**

(58) **Field of Classification Search**

USPC D6/334-338, 349, 355, 361, 368-370,
D6/376, 379-381, 716, 716.1, 716.2, 340,
D6/354, 377; 297/16.1, 42, 94, 135, 175,
297/232, 233, 350, 351, 445.1, 448.1,
297/448.2, 451.9; 5/12.1, 12.2

CPC A47C 1/02; A47C 7/24; A47C 17/00;
A47C 17/02; A47C 17/04; A47C 17/045;
A47C 17/12; A47C 17/132; A47C 17/136

See application file for complete search history.

(56) **References Cited**

U.S. PATENT DOCUMENTS

6,824,220 B1 * 11/2004 Davison 297/440.14
6,826,789 B1 * 12/2004 Choi 5/12.1
D504,247 S * 4/2005 Ricci D6/381
D514,840 S * 2/2006 Ghetti D6/381

D583,585 S * 12/2008 Weiss D6/381
D600,042 S * 9/2009 Natuzzi D6/381
D603,617 S * 11/2009 Weiss D6/381
D640,068 S * 6/2011 Valentini D6/381
RE43,754 E * 10/2012 Andersen D6/381
D677,493 S * 3/2013 Masson D6/381
D681,366 S * 5/2013 Kanthasamy D6/381
D717,063 S * 11/2014 Zhang D6/381
D718,069 S * 11/2014 Marion et al. D6/381
D718,552 S * 12/2014 Kanthasamy D6/381
D719,754 S * 12/2014 Pathiratne D6/381
2010/0269255 A1 * 10/2010 Kanthasamy 5/37.1

* cited by examiner

Primary Examiner — Sandra Snapp

(74) *Attorney, Agent, or Firm* — Carter, DeLuca, Farrell & Schmidt LLP

(57) **CLAIM**

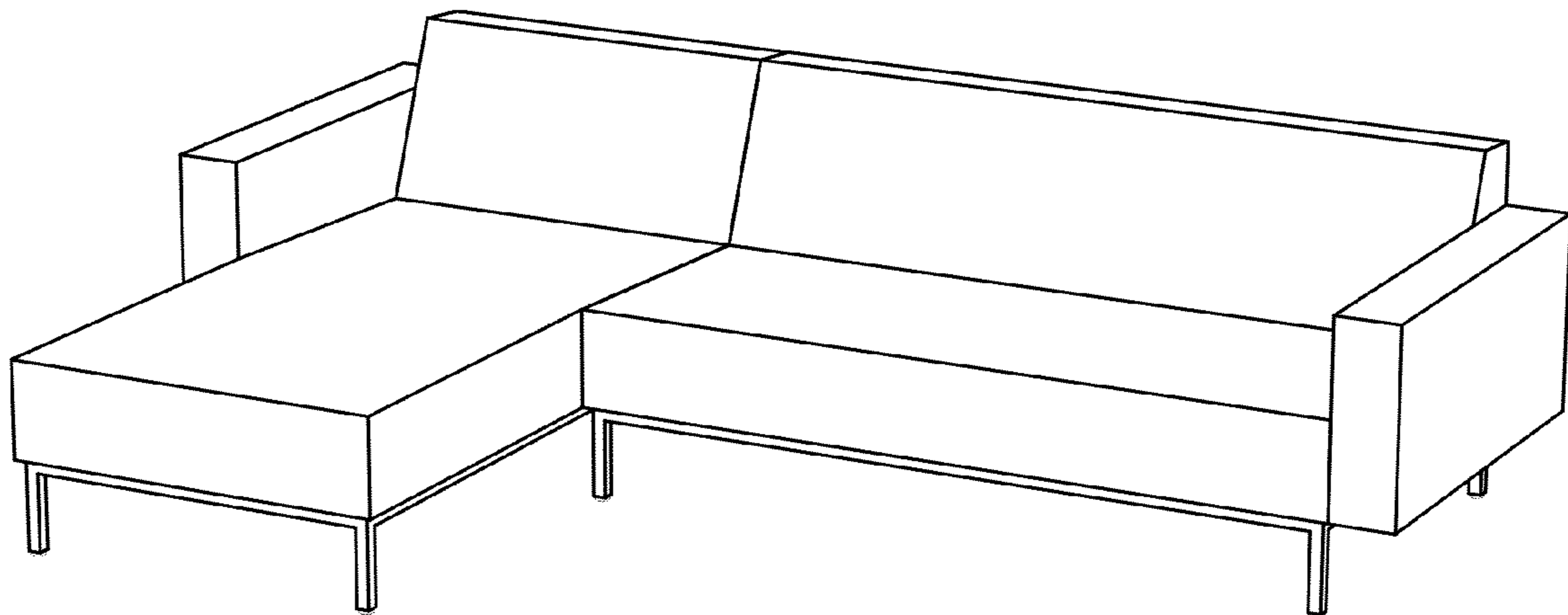
The ornamental design for a sectional sofa, as shown and described.

DESCRIPTION

FIG. 1 is a front side perspective view of a first arrangement of a sectional sofa in accordance with the present design; FIG. 2 is a left side elevational view thereof; FIG. 3 is a front elevational view thereof; FIG. 4 is a rear elevational view thereof; FIG. 5 is a top plan view thereof; FIG. 6 is a front and rear perspective view of the removable arms of the sectional sofa of FIG. 1; FIG. 7 is a front side perspective view of an alternative arrangement of the sectional sofa of FIG. 1; and, FIG. 8 is a front side perspective view of a further alternative arrangement of the sectional sofa of FIG. 1.

The broken lines shown in the drawings illustrate portions of the sectional sofa that form no part of the claimed design.

1 Claim, 4 Drawing Sheets



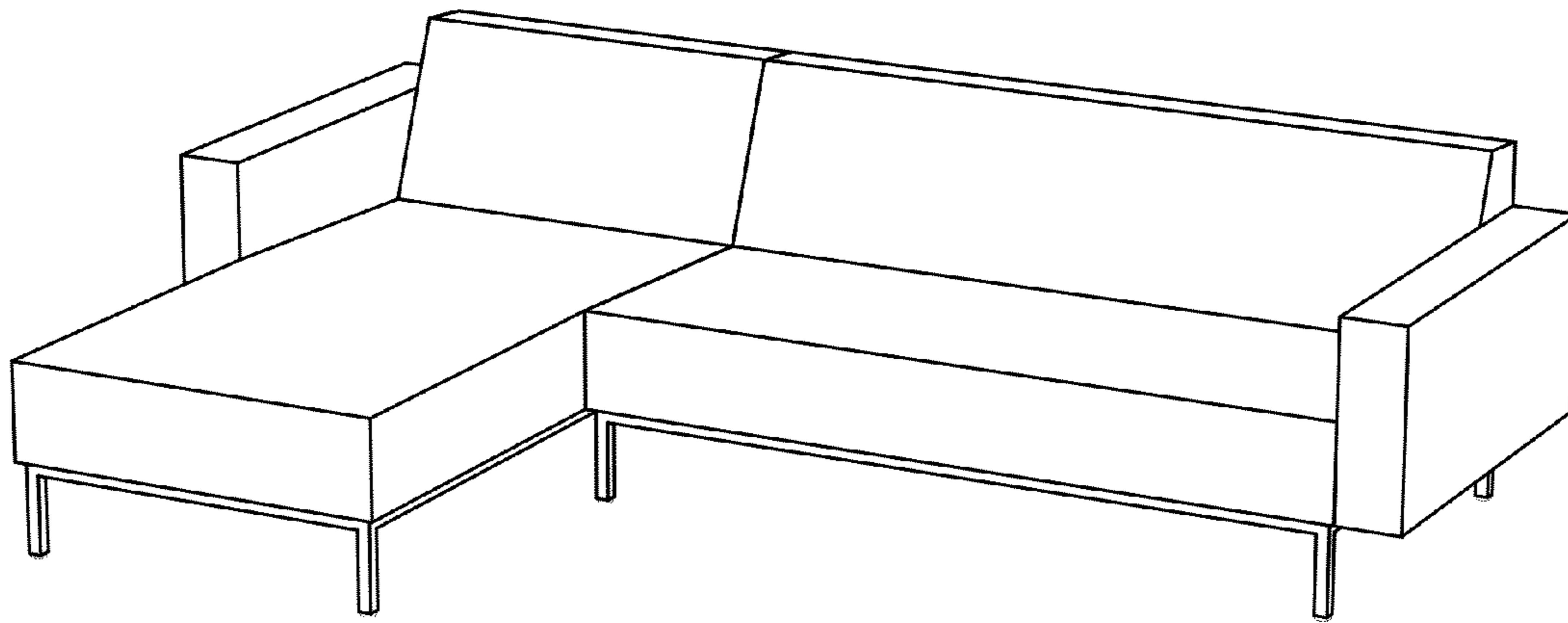


FIG. 1

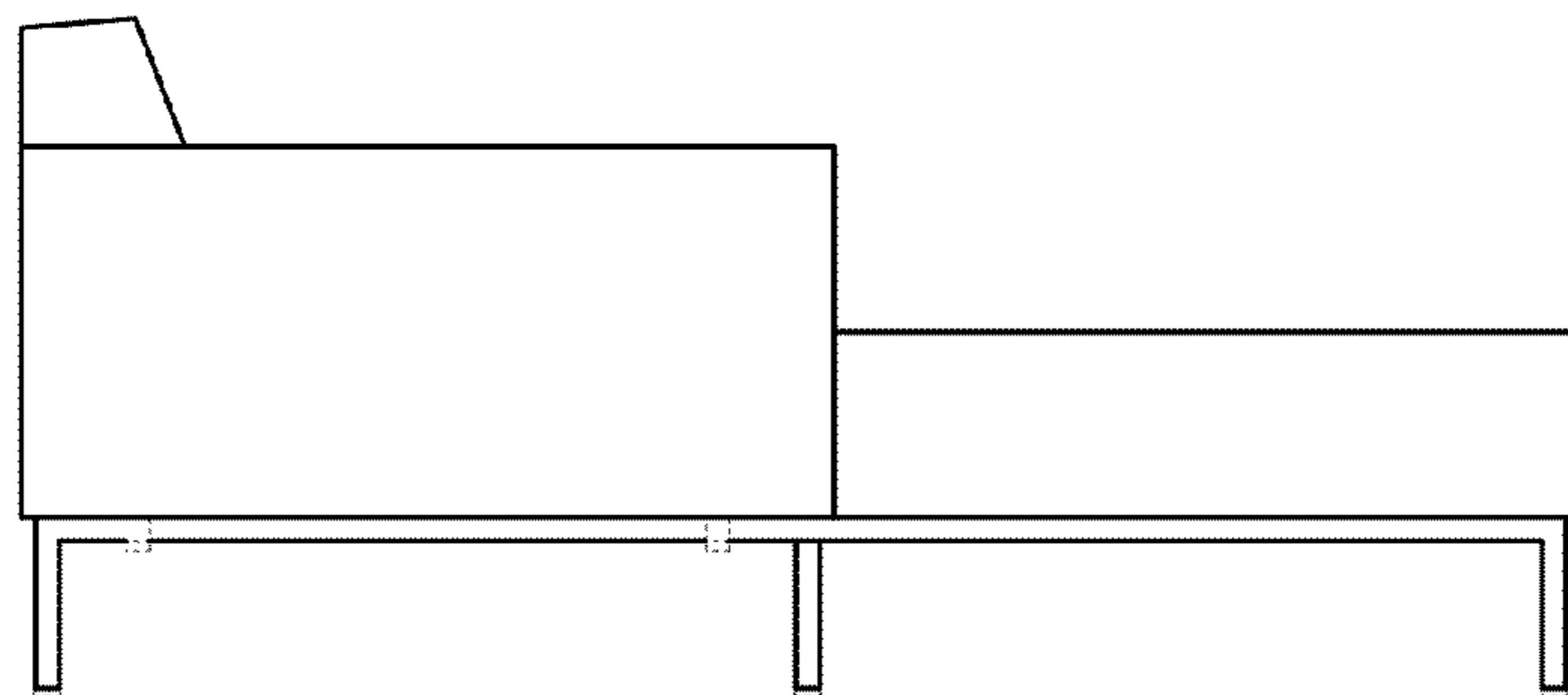


FIG. 2

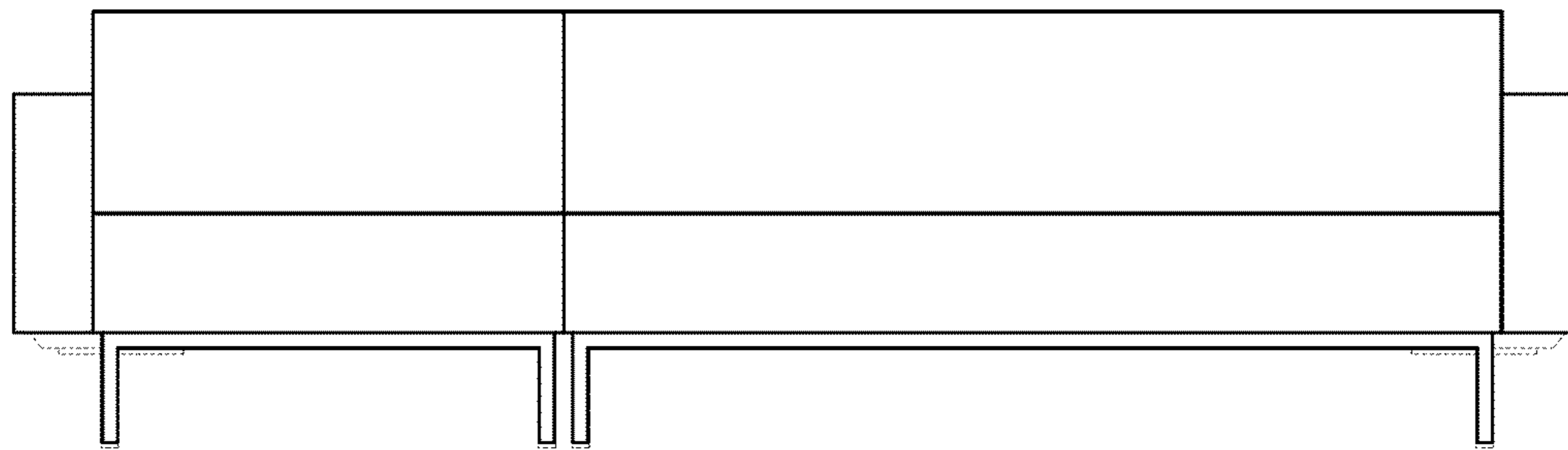


FIG. 3

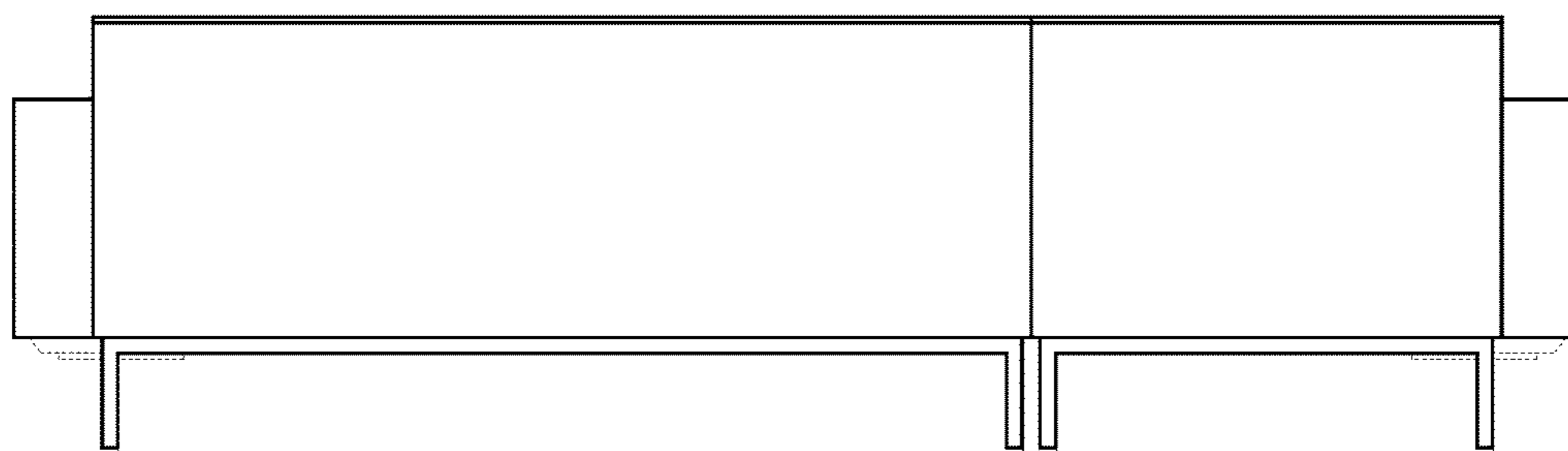


FIG. 4

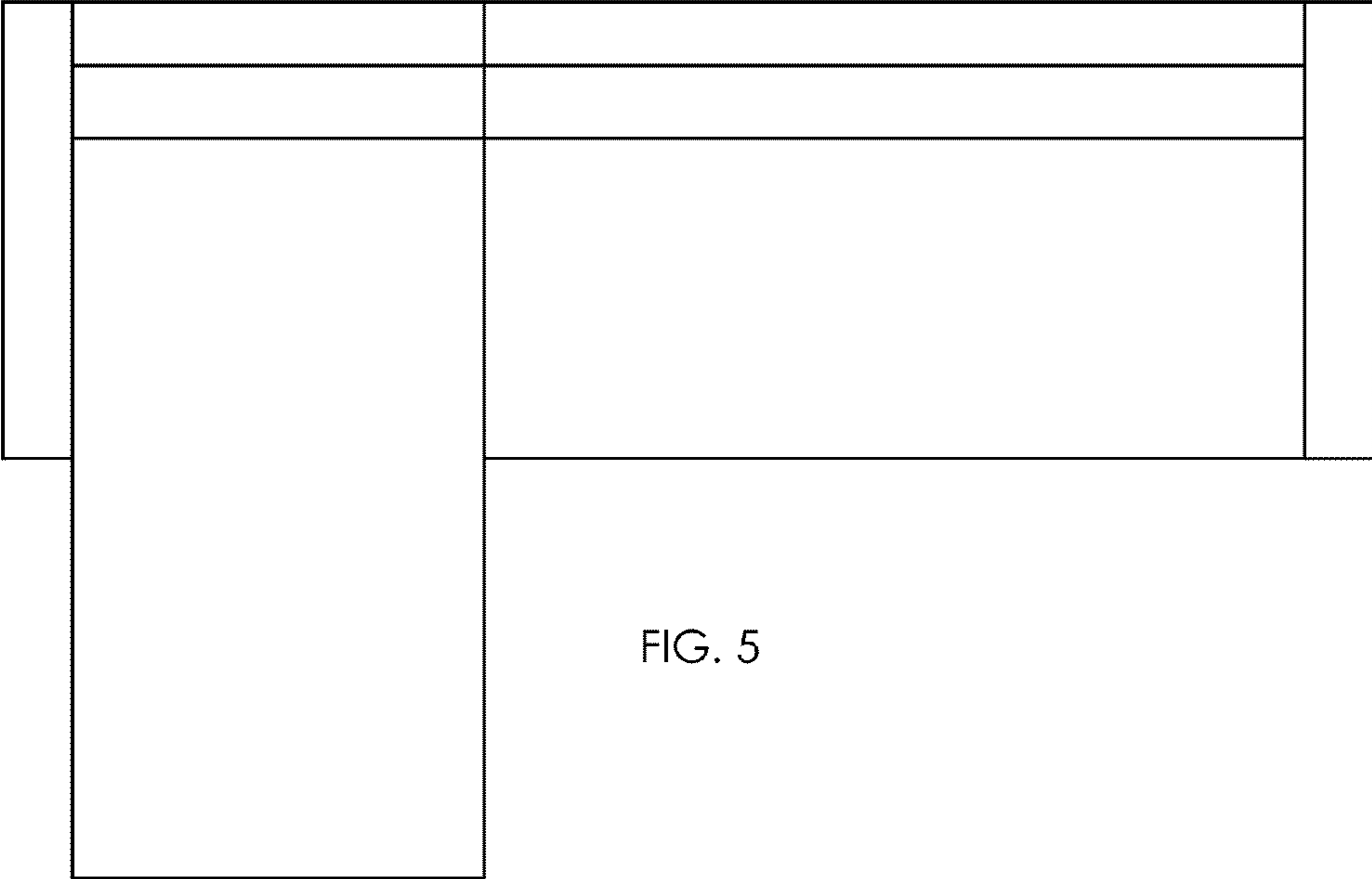


FIG. 5

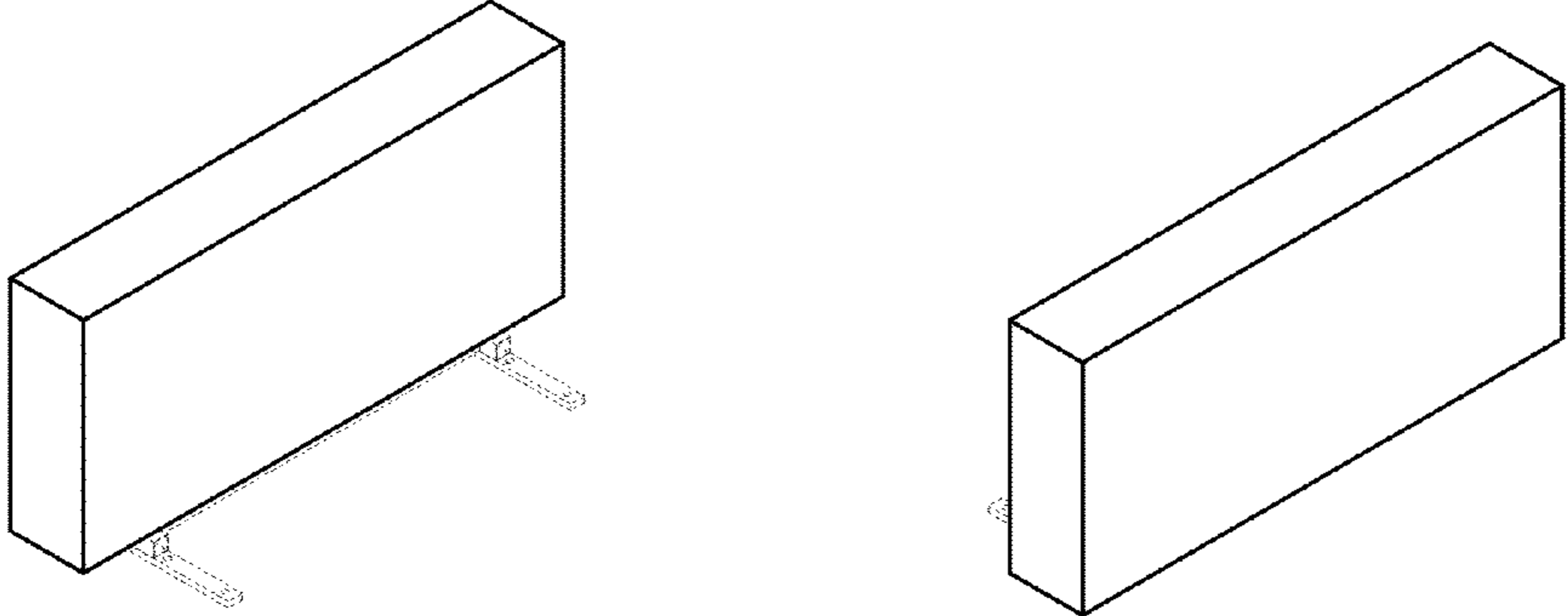


FIG. 6

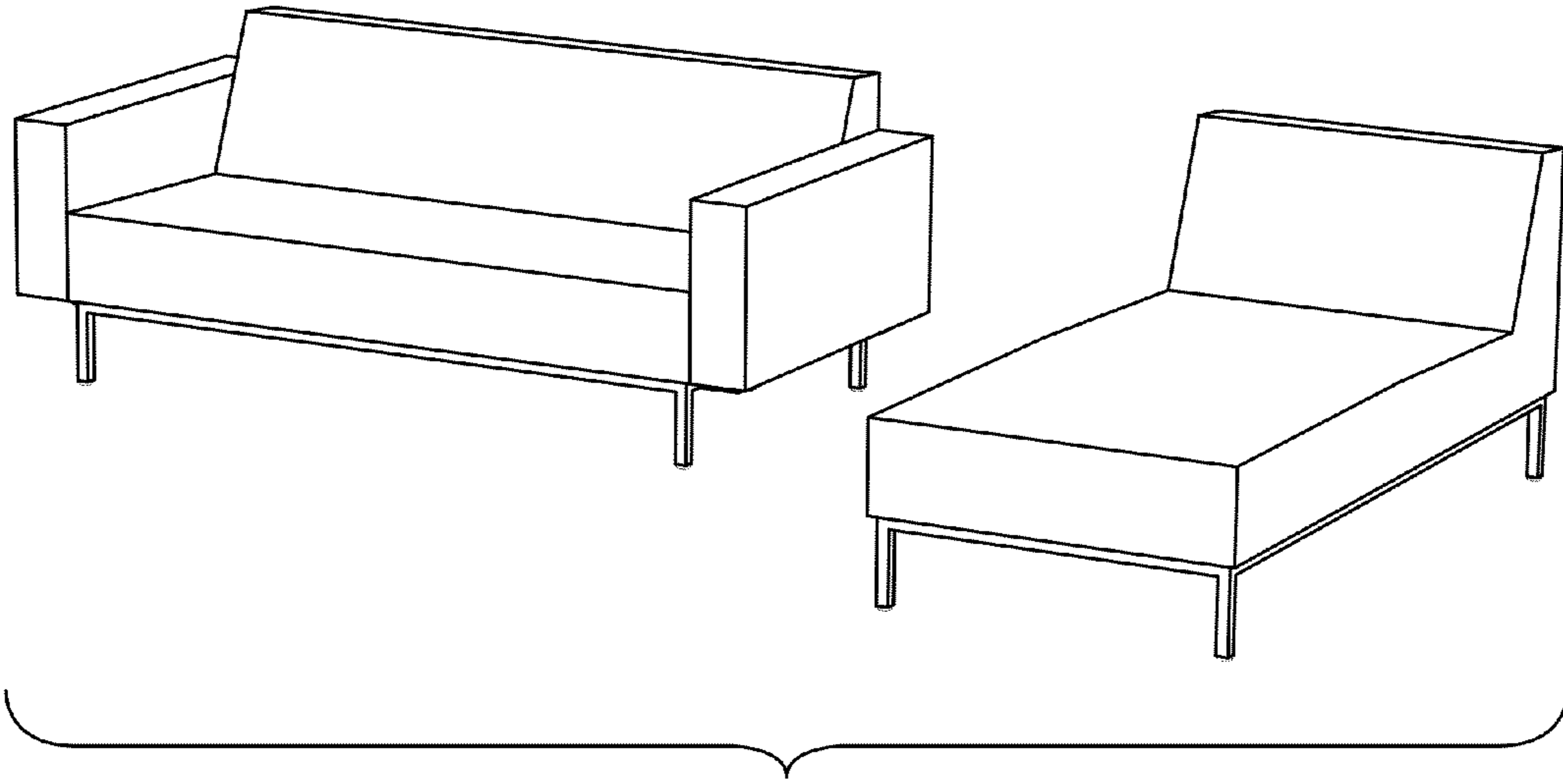


FIG. 7

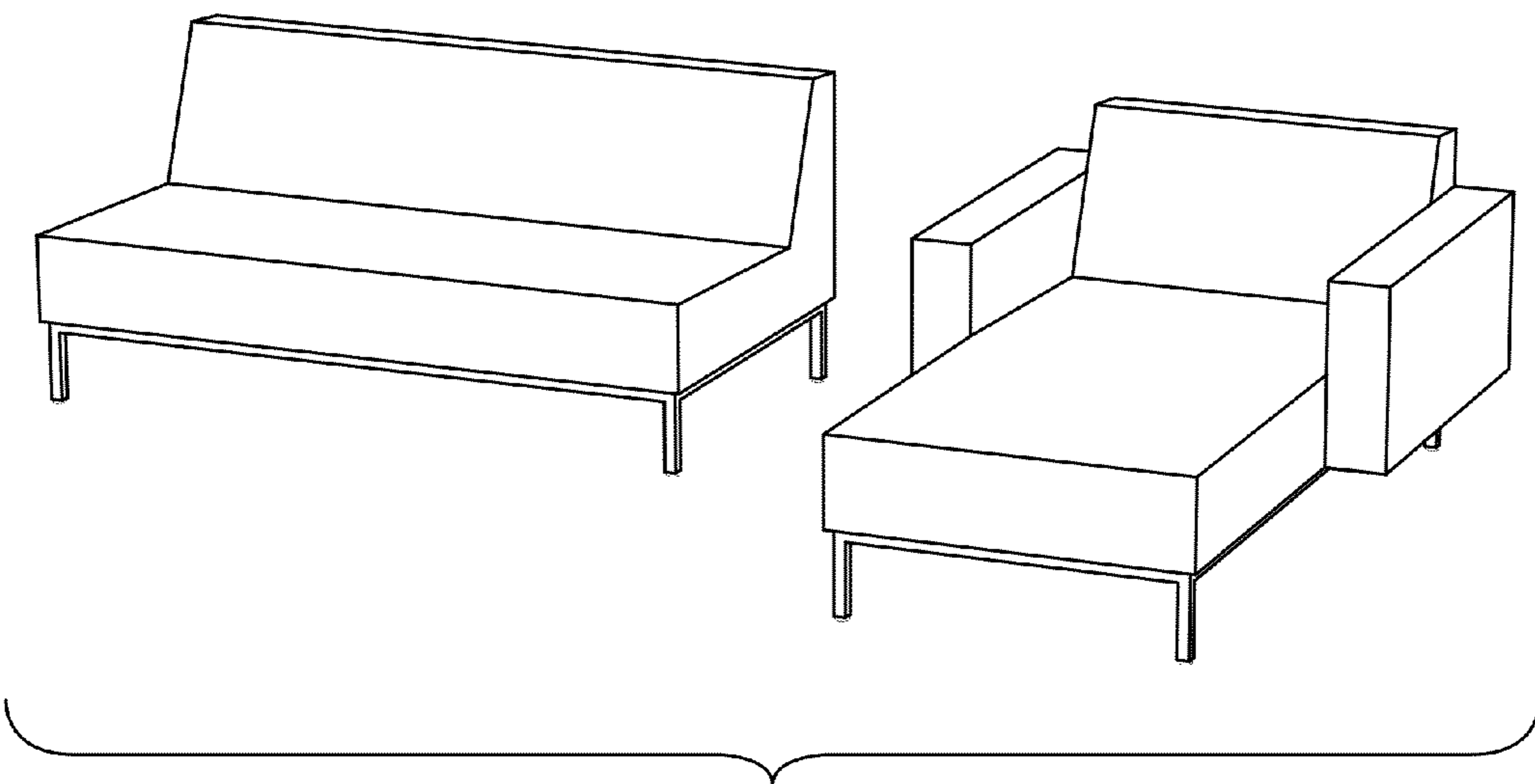


FIG. 8