



US00D731192S

(12) **United States Design Patent**  
**Sorel**

(10) **Patent No.:** **US D731,192 S**  
(45) **Date of Patent:** **\*\* Jun. 9, 2015**

(54) **SOFA HAVING A WORKSURFACE**  
(71) Applicant: **Jess Sorel**, Oakland, CA (US)  
(72) Inventor: **Jess Sorel**, Oakland, CA (US)  
(73) Assignee: **Herman Miller, Inc.**, Zeeland, MI (US)  
(\*\*) Term: **14 Years**

*Primary Examiner* — Sandra Snapp  
(74) *Attorney, Agent, or Firm* — Brinks Gilson & Lione

(21) Appl. No.: **29/507,860**  
(22) Filed: **Oct. 31, 2014**  
(51) **LOC (10) Cl.** ..... **06-01**  
(52) **U.S. Cl.**  
USPC ..... **D6/338**  
(58) **Field of Classification Search**  
USPC ..... D6/334–338, 349, 355, 361, 368–370,  
D6/376, 379–381, 716, 716.1, 716.2, 340,  
D6/354, 377; 297/16.1, 42, 94, 135, 175,  
297/232, 233, 350, 351, 445.1, 448.1,  
297/448.2, 451.9; 5/12.1, 12.2  
See application file for complete search history.

(57) **CLAIM**  
The ornamental design for a sofa having a worksurface, as shown and described.

**DESCRIPTION**

FIG. 1 is a perspective view of a first embodiment of a sofa having a worksurface positioned along a right side of the sofa; FIG. 2 is a top view of the sofa and worksurface shown in FIG. 1; FIG. 3 is a front view of the sofa and worksurface shown in FIG. 1; FIG. 4 is a left side view of the sofa and worksurface shown in FIG. 1; FIG. 5 is a right side view of the sofa and worksurface shown in FIG. 1; FIG. 6 is a rear view of the sofa shown in FIG. 1; FIG. 7 is a bottom view of the sofa shown in FIG. 1; FIG. 8 is a perspective view of a second embodiment of a sofa having a worksurface positioned along a left side of the sofa; FIG. 9 is a top view of the sofa and worksurface shown in FIG. 8; FIG. 10 is a front view of the sofa and worksurface shown in FIG. 8; FIG. 11 is a left side view of the sofa and worksurface shown in FIG. 8; FIG. 12 is a right side view of the sofa and worksurface shown in FIG. 8; FIG. 13 is a rear view of the sofa shown in FIG. 8; and, FIG. 14 is a bottom view of the sofa shown in FIG. 8. The broken lines outlining the feet, light, outlet and storage tray in FIGS. 1-14 are for environmental purposes only and do not form any part of the claimed design.

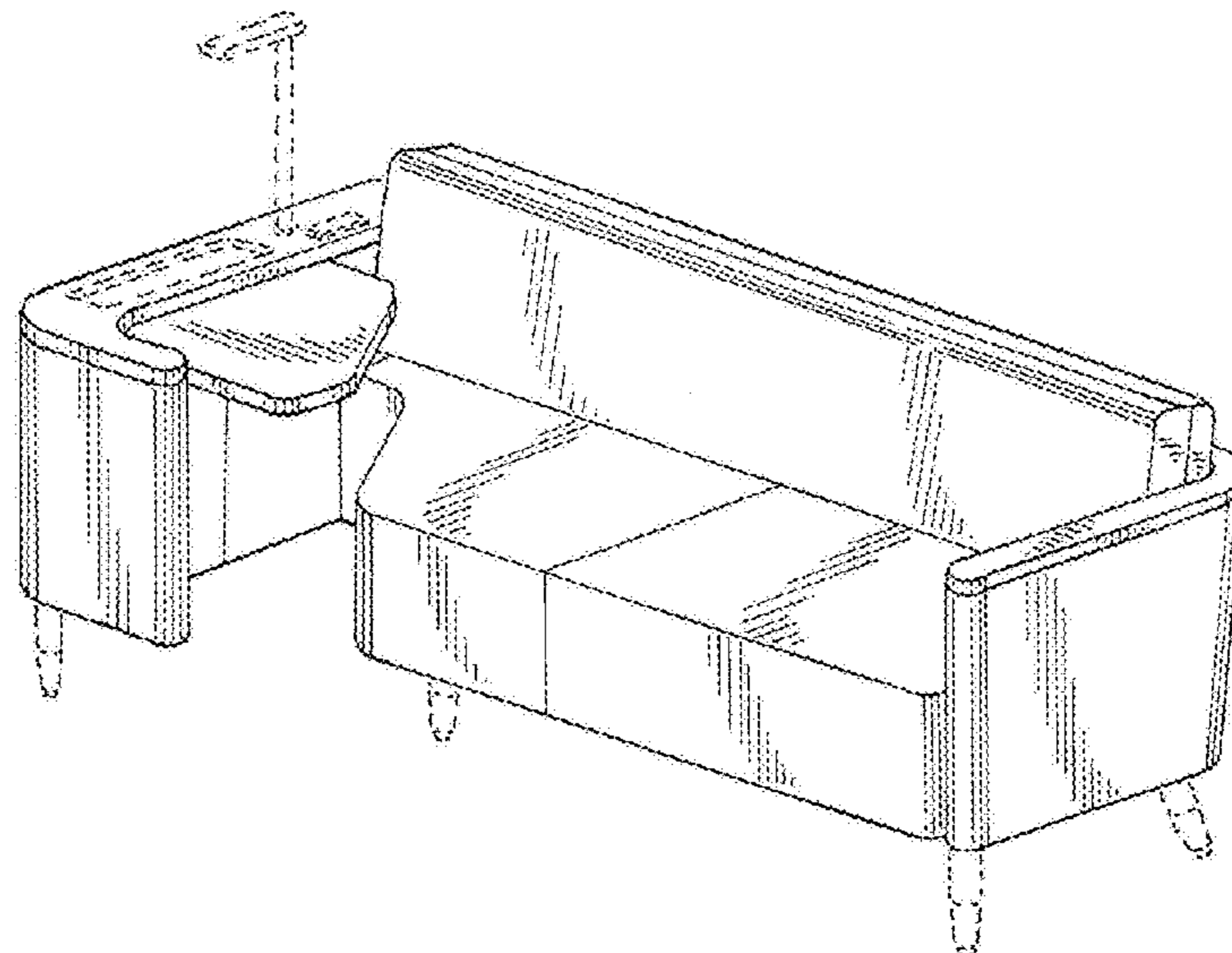
(56) **References Cited**  
**U.S. PATENT DOCUMENTS**  
481,385 A 8/1892 Barger  
D102,971 S \* 1/1937 Hale ..... D6/336  
(Continued)

**FOREIGN PATENT DOCUMENTS**  
CN 202664904 U 1/2013  
CN 202698470 U 1/2013  
(Continued)

**OTHER PUBLICATIONS**  
Story adds a Workstation to the Sofa Bed, from Internet: <http://www.gizmag.com/story-sofa-bed-workstation-in-one/24761>, Dec. 29, 2013, 12 pages.

(Continued)

**1 Claim, 4 Drawing Sheets**



(56)

References Cited

U.S. PATENT DOCUMENTS

D145,657 S \* 10/1946 Case ..... D6/336  
 D147,386 S \* 8/1947 Thomas ..... D6/336  
 D148,242 S \* 12/1947 Horsewood ..... D6/336  
 D148,337 S \* 1/1948 Stein ..... D6/336  
 2,716,775 A 9/1955 Kenimer  
 D181,732 S \* 12/1957 Keith ..... D6/336  
 3,337,879 A 8/1967 Humphrey  
 D257,454 S \* 10/1980 Nash ..... D6/364  
 D266,119 S \* 9/1982 Larsen ..... D6/335  
 D278,003 S \* 3/1985 Gagliano ..... D6/336  
 5,335,962 A 8/1994 Gera  
 5,374,108 A 12/1994 Saul et al.  
 D356,691 S \* 3/1995 Lin ..... D6/336  
 D360,311 S \* 7/1995 Stamberg et al. .... D6/334  
 D360,313 S \* 7/1995 Lin ..... D6/336  
 5,474,359 A 12/1995 Muffi  
 5,503,457 A 4/1996 Rosado  
 5,816,649 A \* 10/1998 Shields ..... 297/162  
 D441,204 S \* 5/2001 Bernich ..... D6/334  
 D453,636 S \* 2/2002 Lewis ..... D6/381  
 D459,096 S \* 6/2002 Rossigno ..... D6/336  
 6,398,164 B1 6/2002 Fasse  
 D467,086 S \* 12/2002 Steelman ..... D6/335  
 6,508,526 B2 1/2003 Reppas et al.  
 D577,501 S \* 9/2008 Fissette et al. .... D6/356  
 D584,524 S \* 1/2009 Ricci ..... D6/381  
 D601,825 S \* 10/2009 Starck ..... D6/381  
 D608,106 S \* 1/2010 Natuzzi ..... D6/381  
 D615,767 S \* 5/2010 Griepentrog et al. .... D6/381

D616,209 S \* 5/2010 Singler et al. .... D6/338  
 D637,417 S \* 5/2011 Marcomini ..... D6/375  
 D640,881 S \* 7/2011 Marcomini ..... D6/375  
 D645,667 S \* 9/2011 Alberda et al. .... D6/334  
 D648,950 S \* 11/2011 Urquiola ..... D6/381  
 D677,477 S \* 3/2013 Agati et al. .... D6/336  
 D687,241 S \* 8/2013 Beucler et al. .... D6/381  
 D699,963 S \* 2/2014 Hidalgo ..... D6/381  
 D718,542 S \* 12/2014 Czumaj-Bront ..... D6/338  
 2004/0232283 A1 11/2004 Ferry et al.  
 2007/0102975 A1 5/2007 Gardner  
 2012/0131745 A1 5/2012 Wieland et al.

FOREIGN PATENT DOCUMENTS

DE 202005009414 U1 8/2005  
 EP 0565071 A1 10/1993

OTHER PUBLICATIONS

The Multimedia Athena Sofa, from Internet: <http://www.gizmag.com/multimedia-athena-sofa/12889/>, Dec. 29, 2013, 10 pages.  
 Workstation Crouch, from Internet: <http://www.coolbusinessideas.com/archives/workstation-crouch/>, Jul. 8, 2013, 8 pages.  
 Flip-Open Sofa Shelves: Combined Couch & Desk Design, from Internet: <http://dornob.com/flip-open-sofa-shelves-combined-couch-desk-design/#axzz2otRzvA9K>, Dec. 29, 2013, 10 pages.  
 SleepToo, Wieland, wielandhealthcare.com, Nov. 2012, 2 pages.  
 Merge—Flop® Sofa, Nemschoff, 2013, 3 pages.

\* cited by examiner



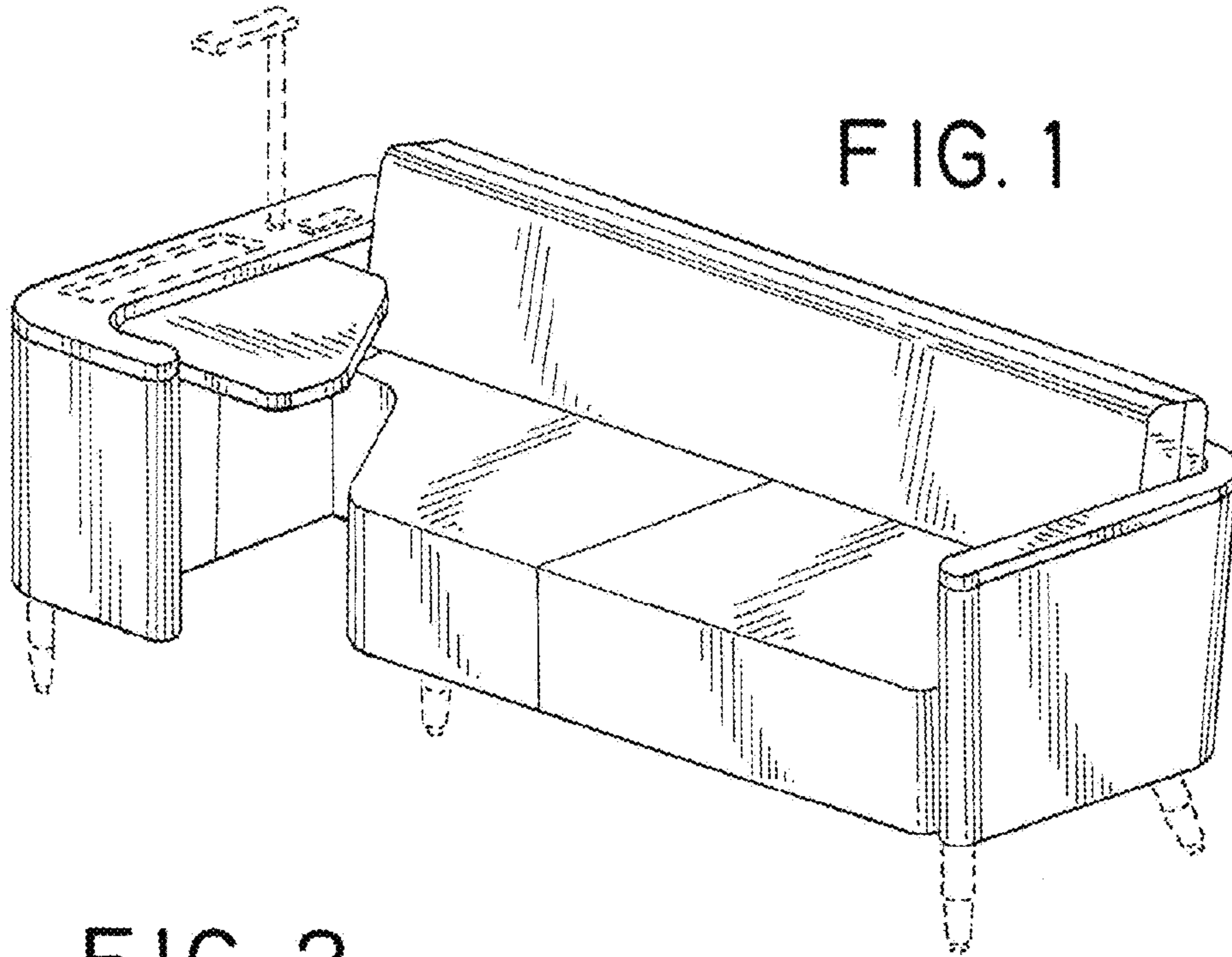


FIG. 2

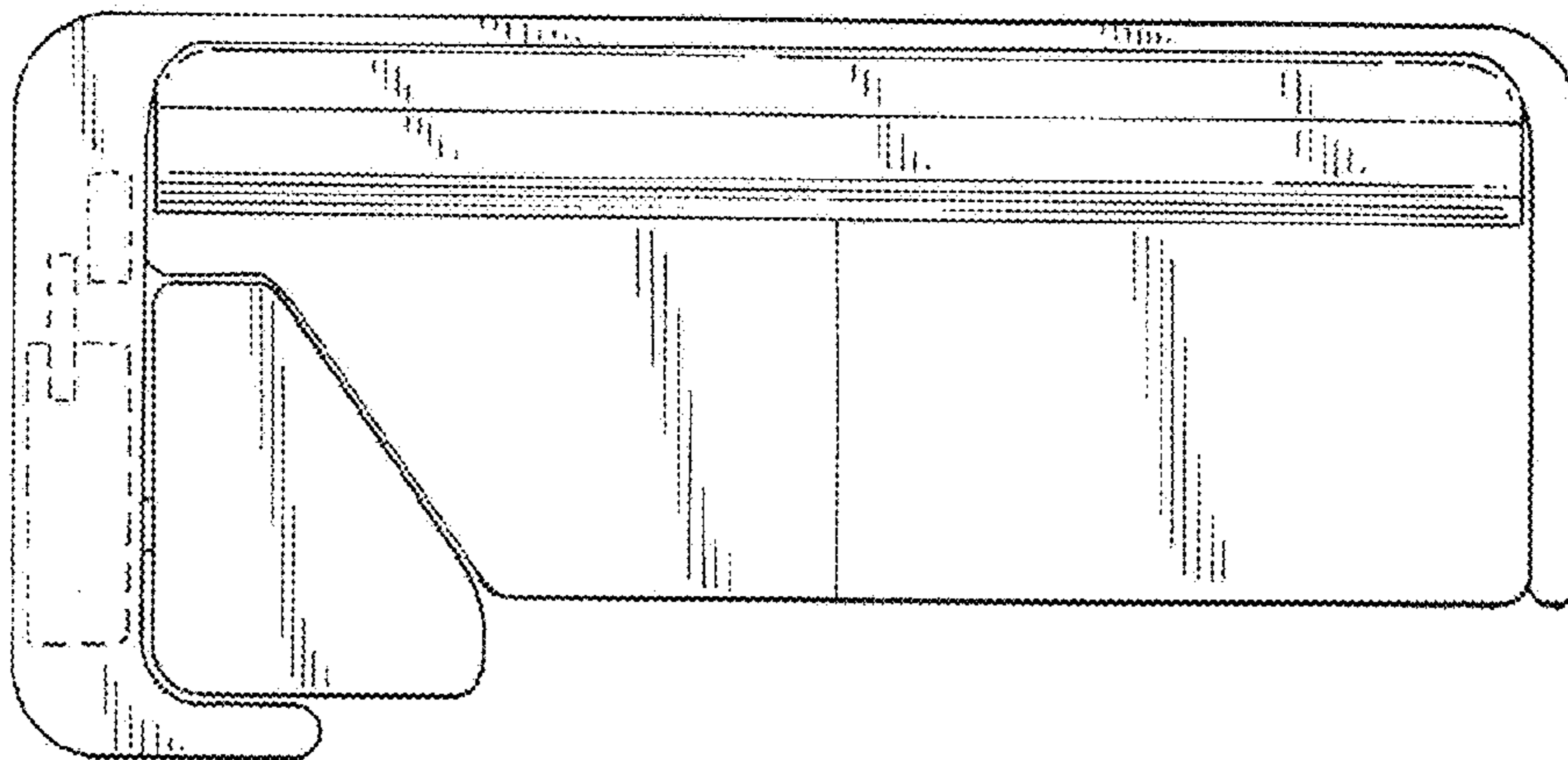


FIG. 3

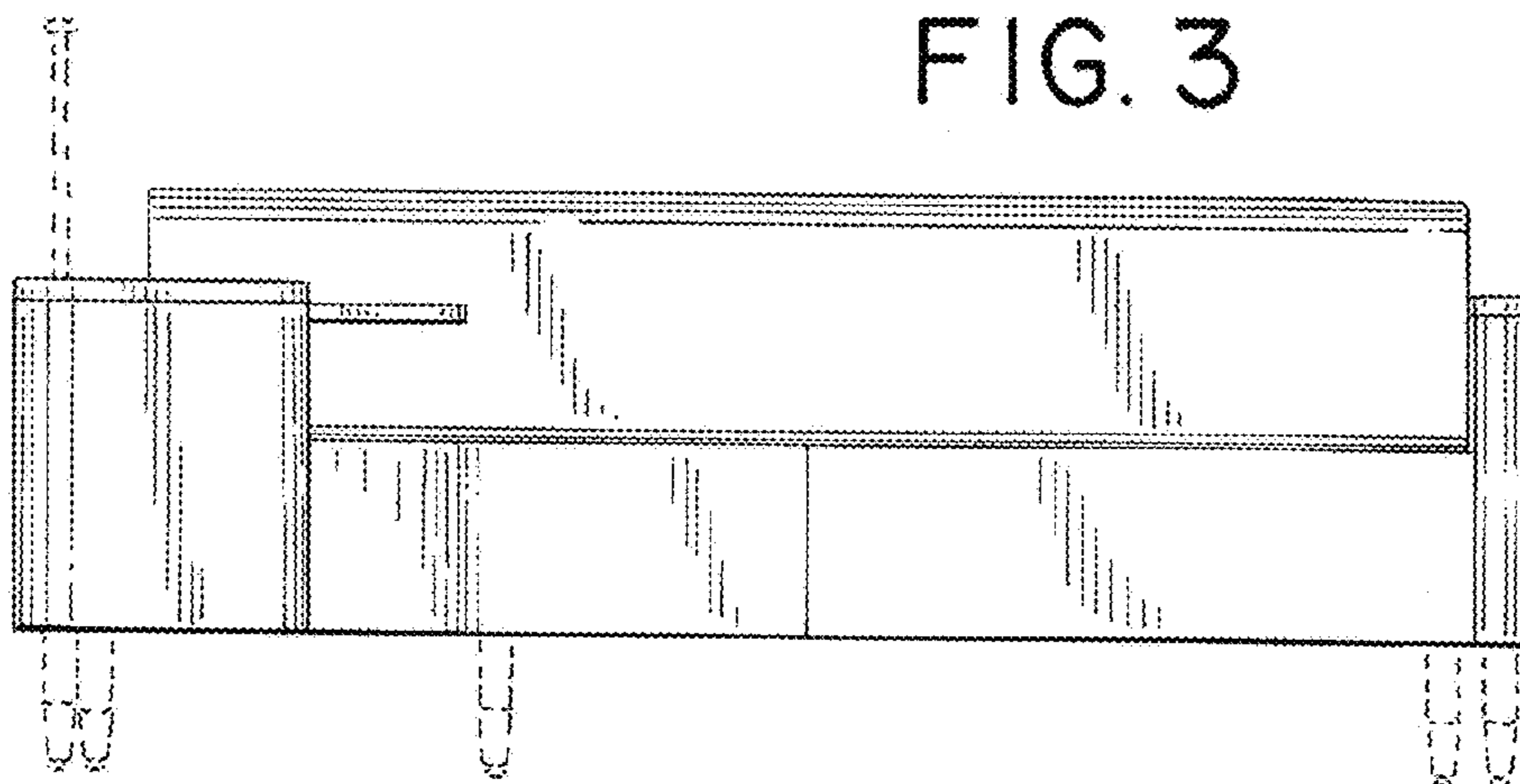


FIG. 4

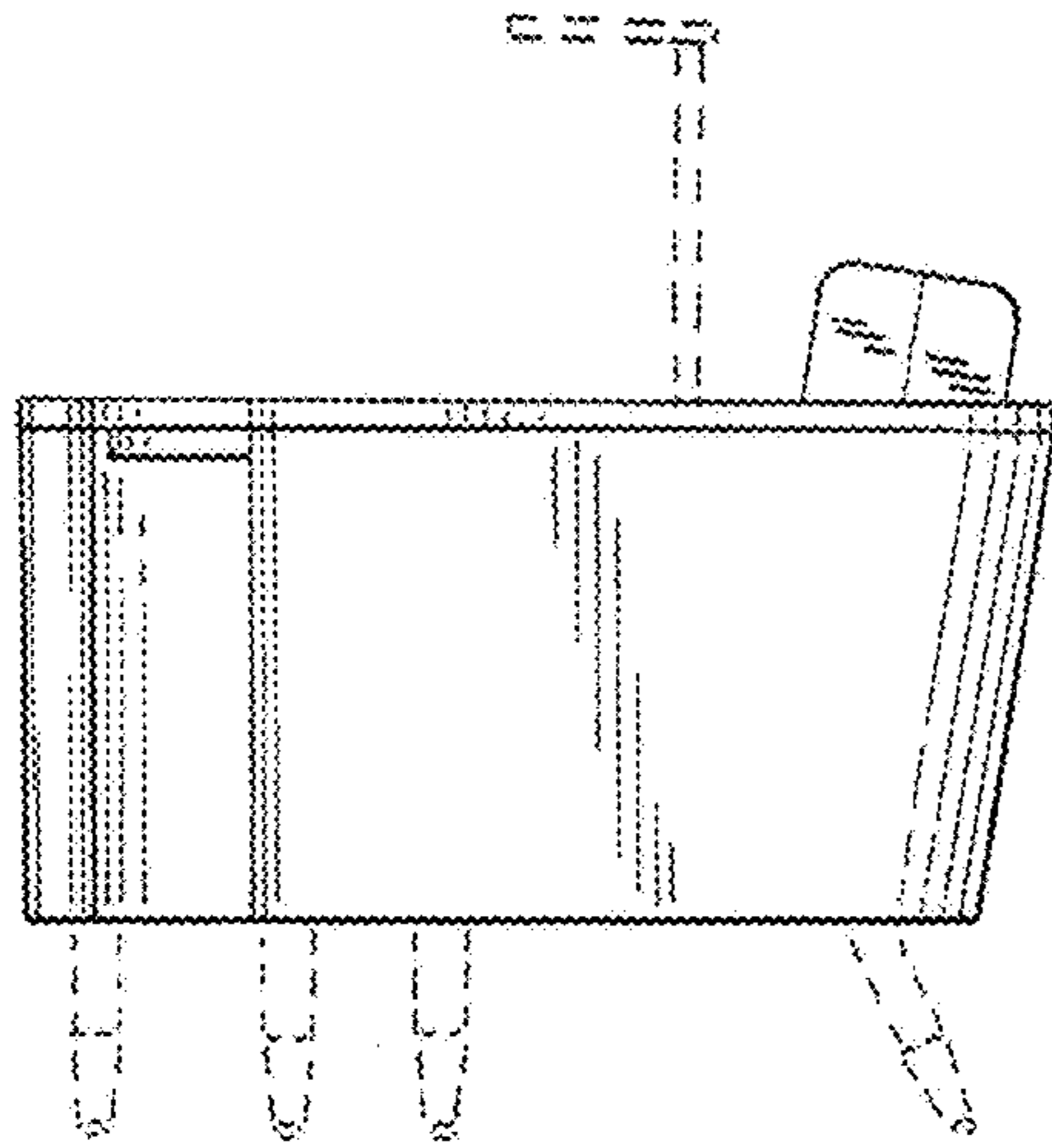


FIG. 5

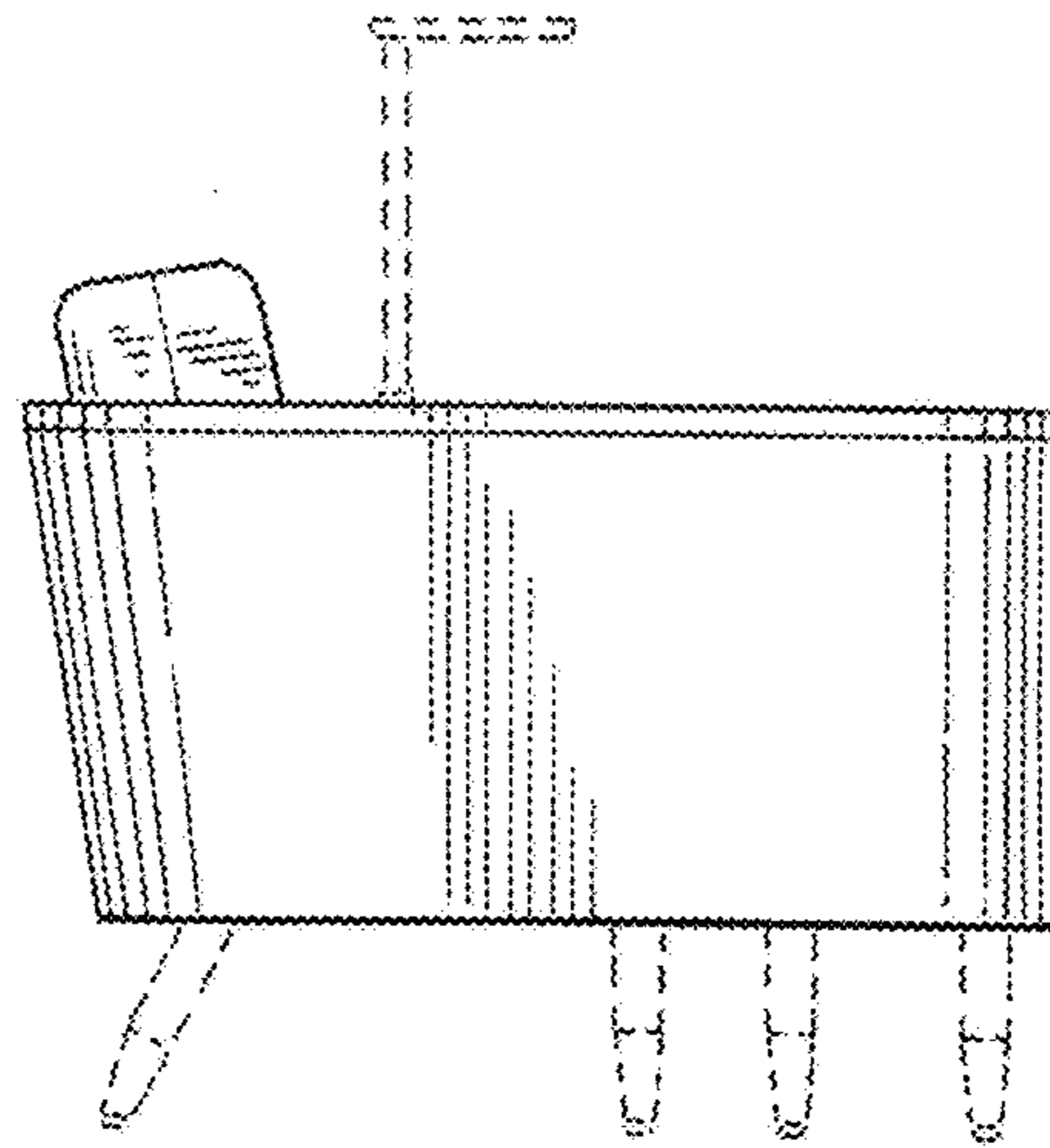


FIG. 6

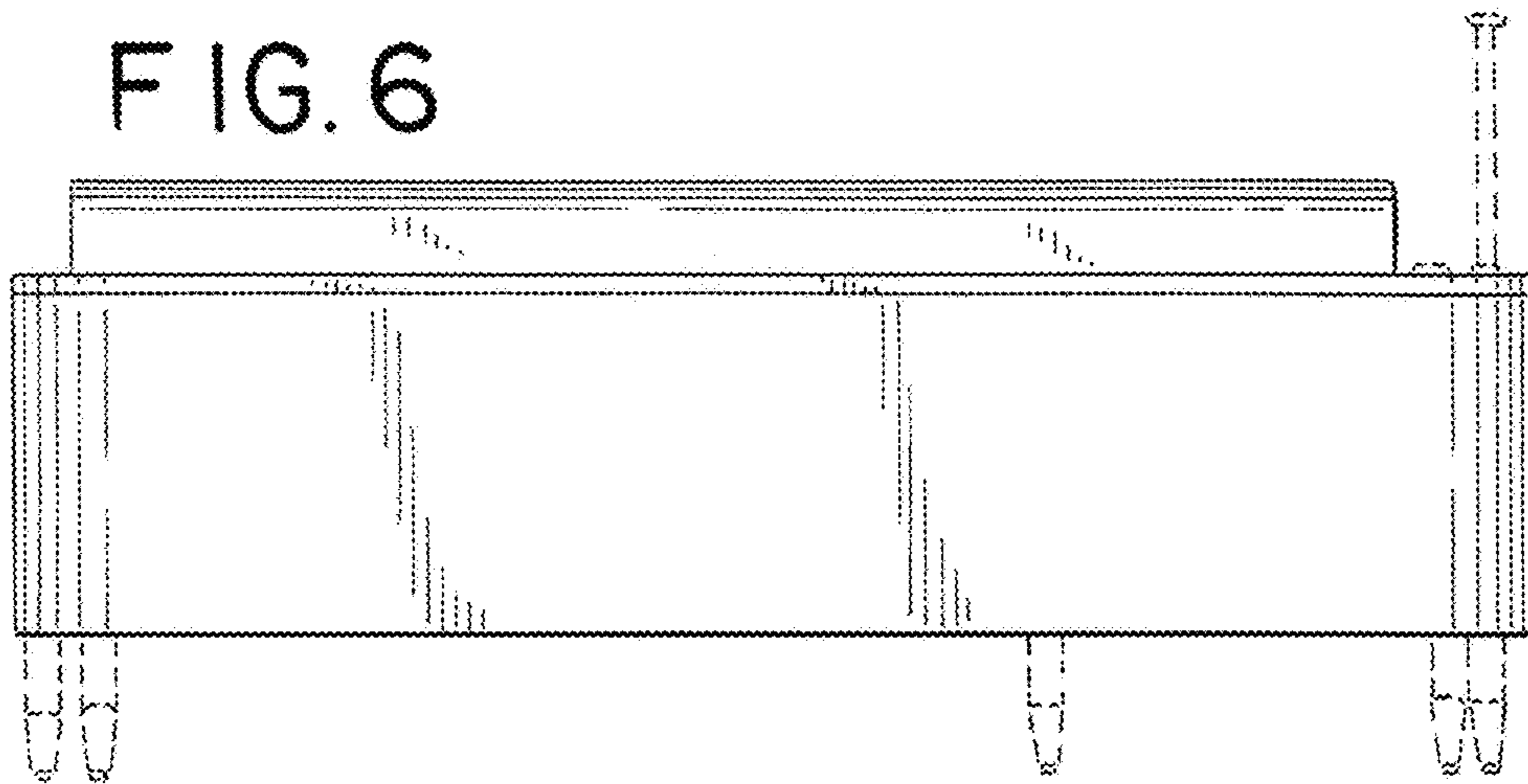


FIG. 7

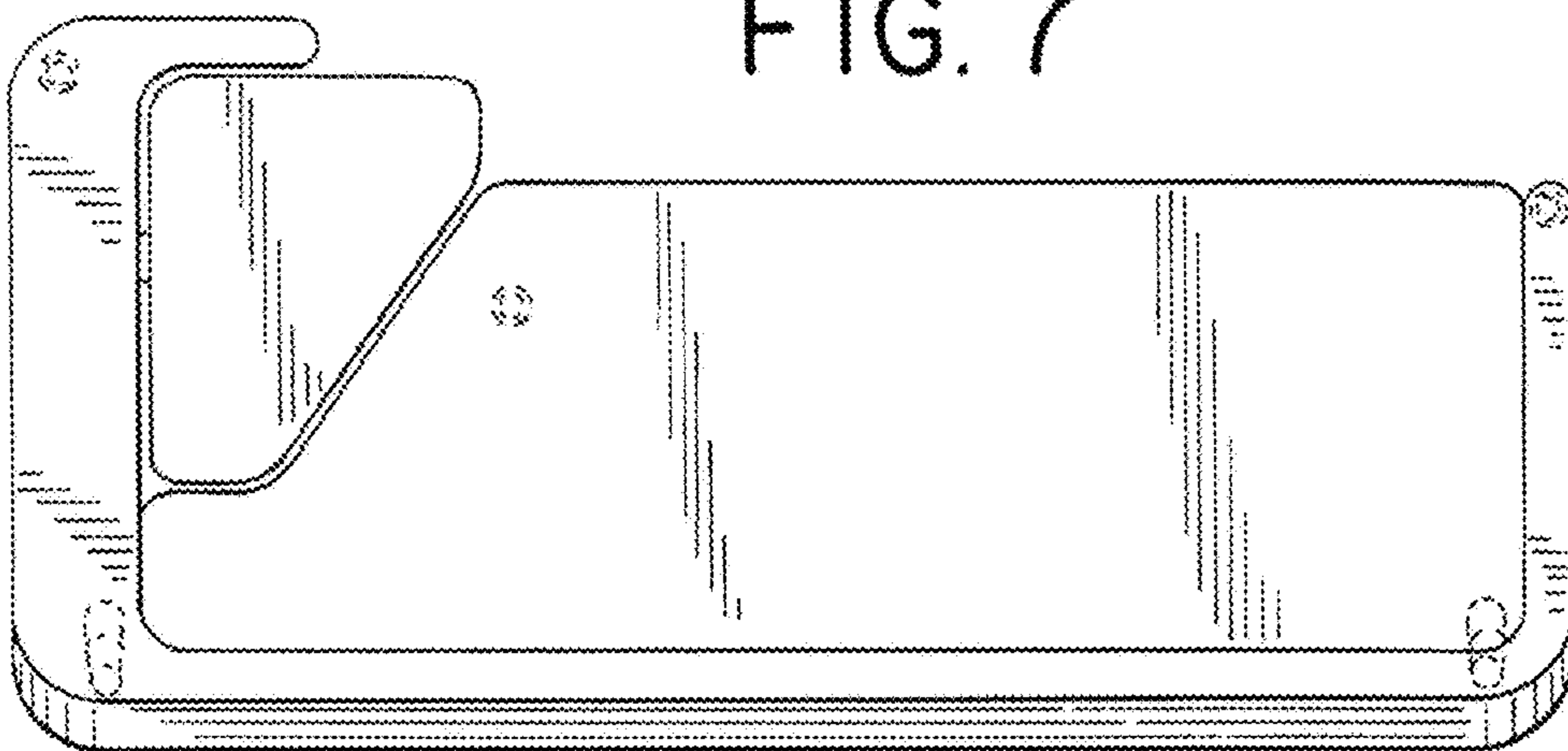


FIG. 8

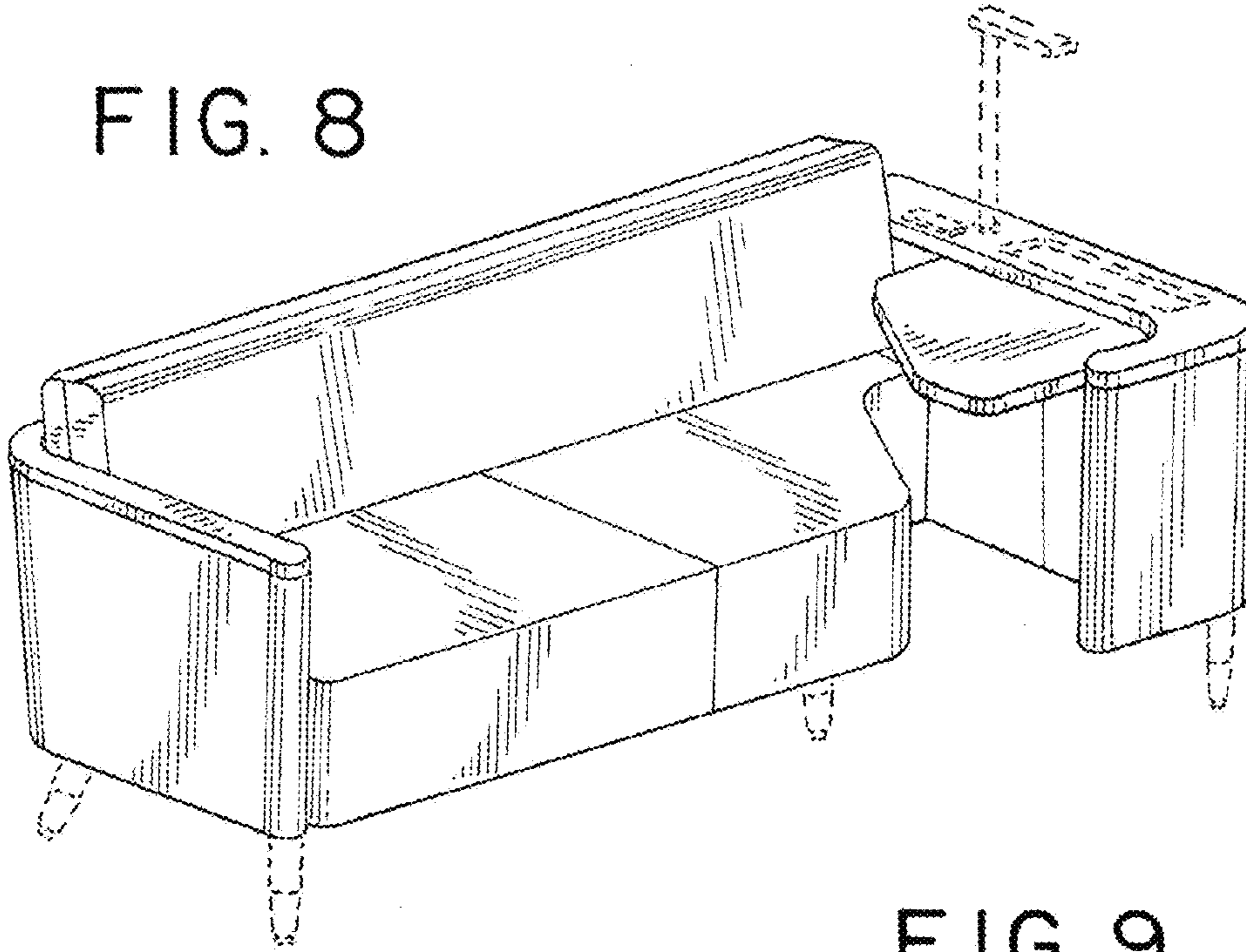


FIG. 9

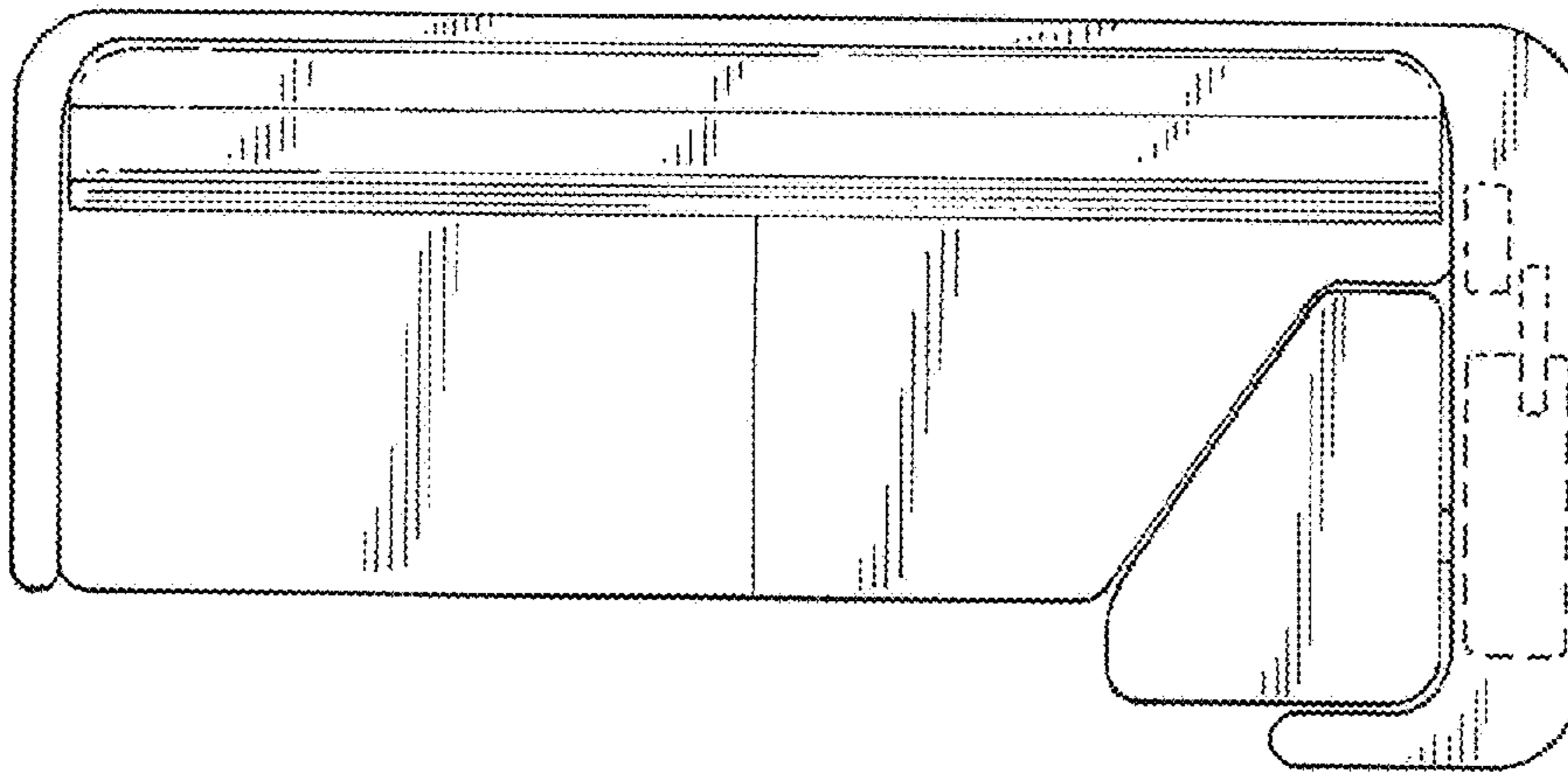


FIG. 10

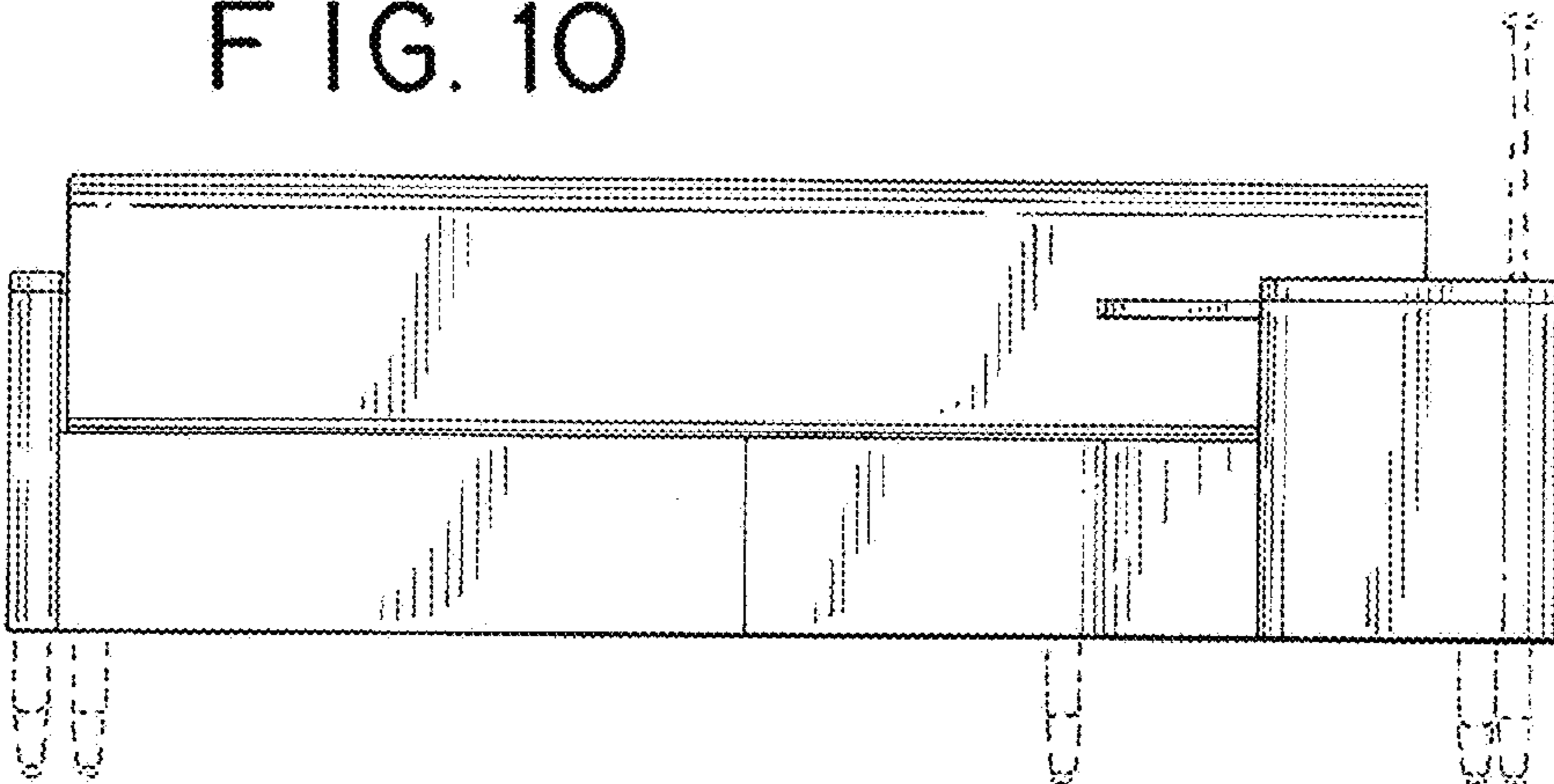




FIG. 11

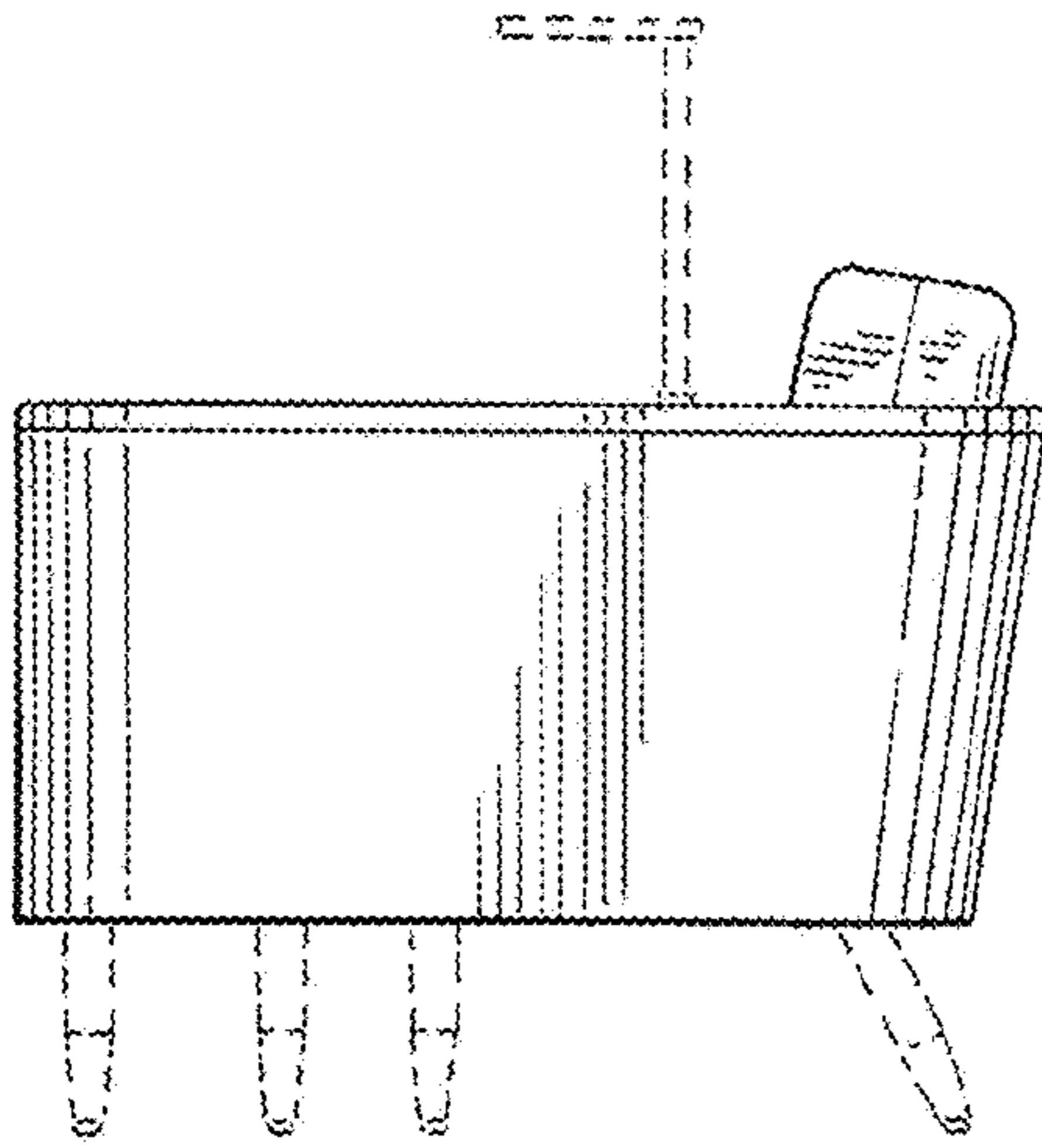


FIG. 12

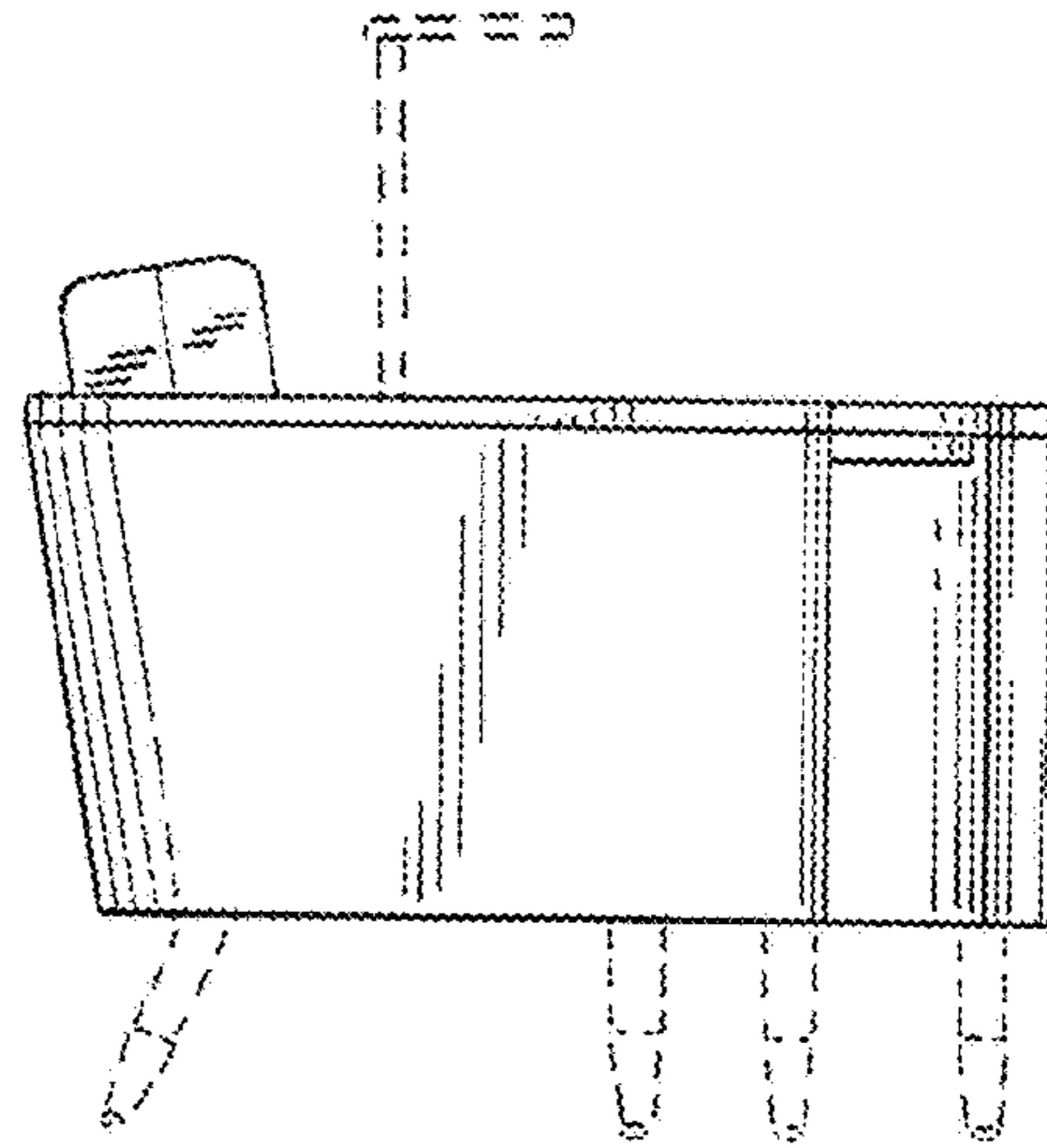


FIG. 13

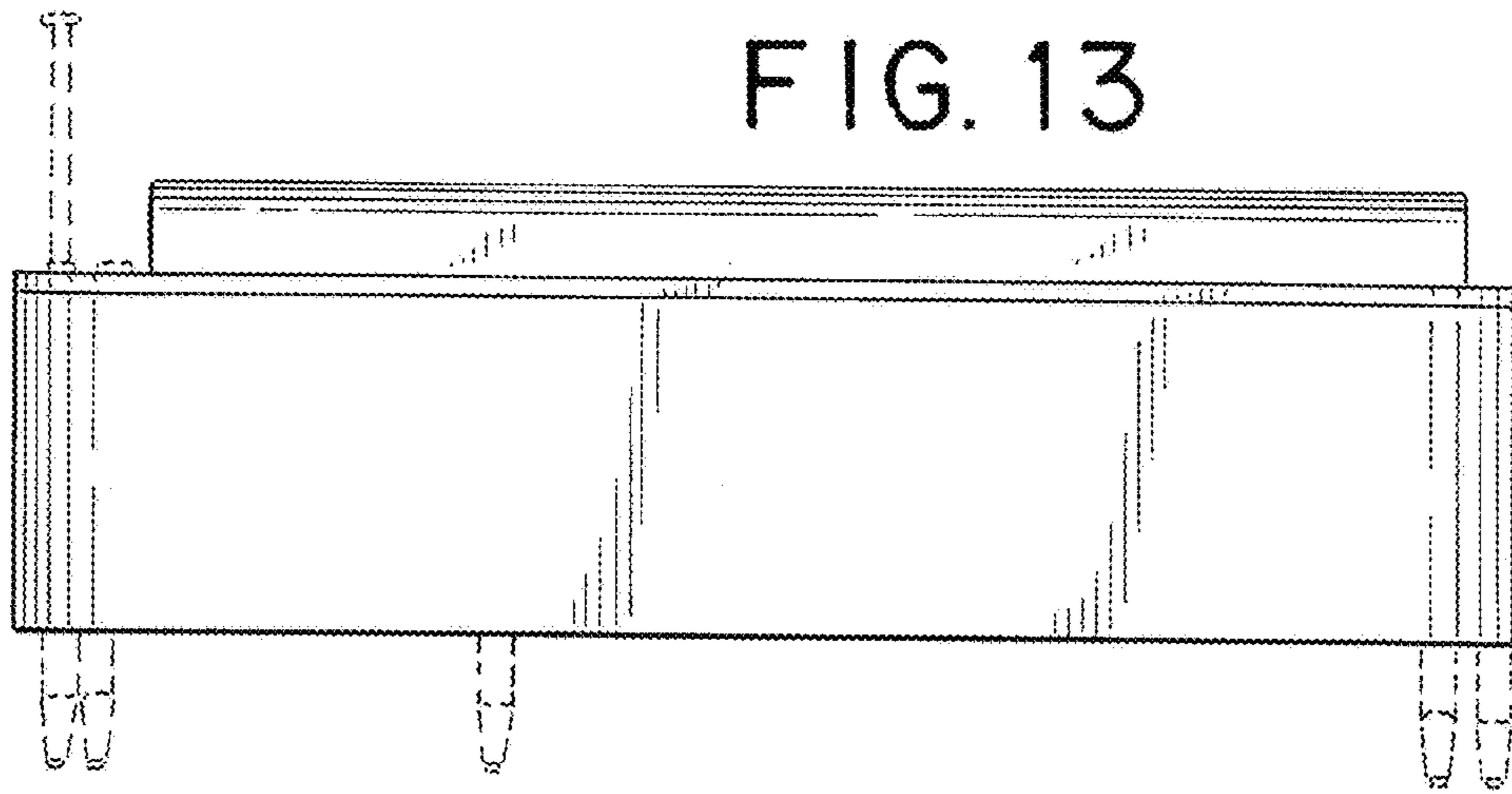


FIG. 14

