



US00D731190S

(12) **United States Design Patent**
Vieira

(10) **Patent No.:** **US D731,190 S**
(45) **Date of Patent:** **** Jun. 9, 2015**

(54) **BIBLE DISPLAY CASE**

(71) Applicant: **VIERTEX IP, LLC**, Brooklyn, NY (US)

(72) Inventor: **Elroy Vieira**, Brooklyn, NY (US)

(73) Assignee: **Viertex IP, LLC**, Brooklyn, NY (US)

(**) Term: **14 Years**

(21) Appl. No.: **29/508,158**

(22) Filed: **Nov. 4, 2014**

(51) **LOC (10) Cl.** **06-07**

(52) **U.S. Cl.**

USPC **D6/311; D6/300**

(58) **Field of Classification Search**

USPC D6/300-314, 657, 660-662.1;
248/444.1, 441.1, 447.2; 40/725, 726

CPC A47B 23/042; A47B 23/04; A47G 1/06;
B42D 9/00

See application file for complete search history.

(56) **References Cited**

U.S. PATENT DOCUMENTS

3,809,352 A * 5/1974 Mathias 248/444.1

(Continued)

OTHER PUBLICATIONS

Framed Photo Book, available Jul. 6, 2014, [online], [site visited Jan. 20, 2015]. Available from internet, <URL: <http://www.notonthehighstreet.com/sarahandbendrix/product/framed-personalised-photo-book>>.*

(Continued)

Primary Examiner — Cathron Brooks

Assistant Examiner — Teddy Falloway

(74) *Attorney, Agent, or Firm* — Law Offices of Alozie N. Etufugh PLLC

(57) **CLAIM**

The ornamental design for a bible display case, as shown and described.

DESCRIPTION

FIG. 1 is a front perspective view of a first embodiment of a Bible display case showing my new design;

FIG. 2 is a rear perspective view of the present invention thereof;

FIG. 3 is a top elevation view of the present invention thereof;

FIG. 4 is a bottom elevation view of the present invention thereof;

FIG. 5 is a side elevation view of the present invention thereof;

FIG. 6 is an opposite side elevation view of the present invention thereof;

FIG. 7 is a front elevation view of the present invention thereof;

FIG. 8 is a rear elevation view of the present invention thereof;

FIG. 9 is a front perspective view of a second embodiment of a display case showing my new design;

FIG. 10 is a rear perspective view of the present invention thereof;

FIG. 11 is a top elevation view of the present invention thereof;

FIG. 12 is a bottom elevation view of the present invention thereof;

FIG. 13 is a side elevation view of the present invention thereof;

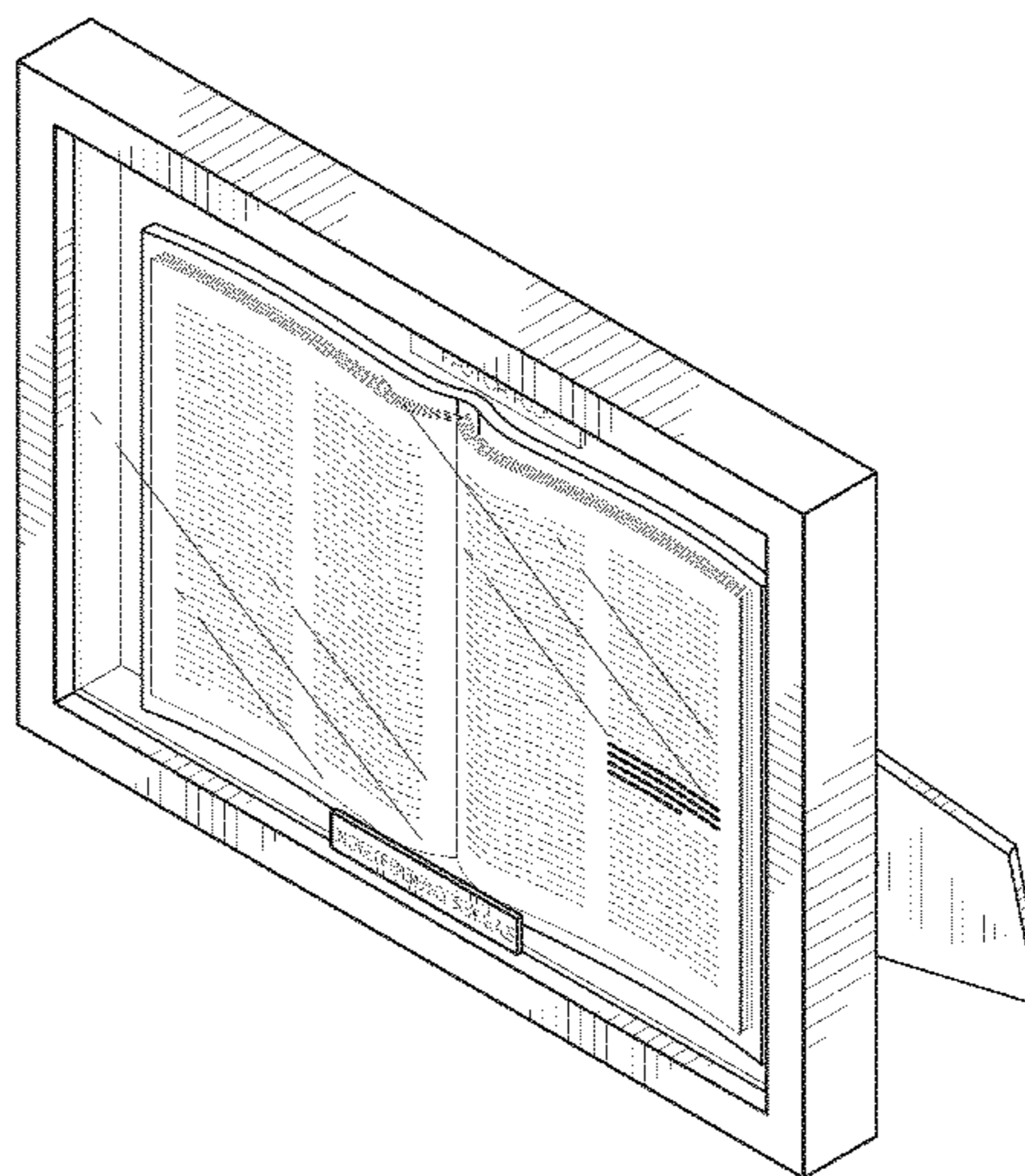
FIG. 14 is an opposite side elevation view of the present invention thereof;

FIG. 15 is a front elevation view of the present invention thereof; and,

FIG. 16 is a rear elevation view of the present invention thereof.

The broken line portion of the figure drawings, shown both in light, thin lines and dark, heavy lines, is included for the purpose of illustrating portions of the Bible display case that form no part of the claimed design.

1 Claim, 12 Drawing Sheets



(56)

References Cited

U.S. PATENT DOCUMENTS

6,186,465	B1 *	2/2001	Clark	248/444.1
6,199,816	B1 *	3/2001	Case	248/460
6,439,612	B1 *	8/2002	Greer	281/45
7,845,611	B1 *	12/2010	Sholander	248/444.1
2001/0023916	A1 *	9/2001	Armstrong	248/447.1
2006/0157630	A1 *	7/2006	Buote	248/441.1

OTHER PUBLICATIONS

Framed Book Collection, available Jul. 6, 2013, [online], [site visited Jan. 20, 2015]. Available from internet, <URL: <http://www.johnjones.co.uk/case-studies/framed-book-collection/>.*

General Lee's Pocket Bible, available Jan. 21, 2012, [online], [site visited Jan. 22, 2015]. Available from internet, <URL: <https://www.flickr.com/photos/geraldbrazell/6745177939/>.*

* cited by examiner

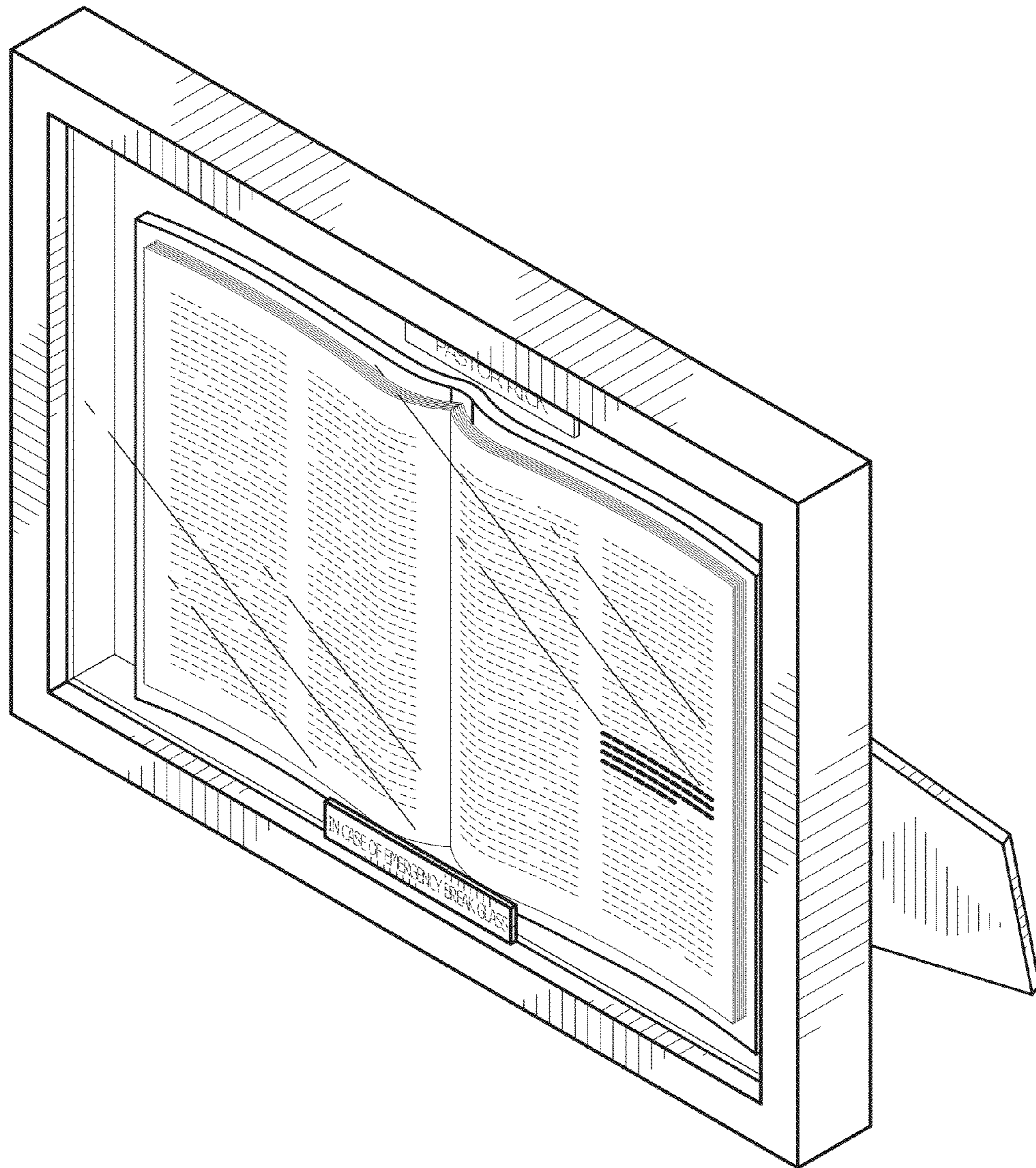


FIG. 1

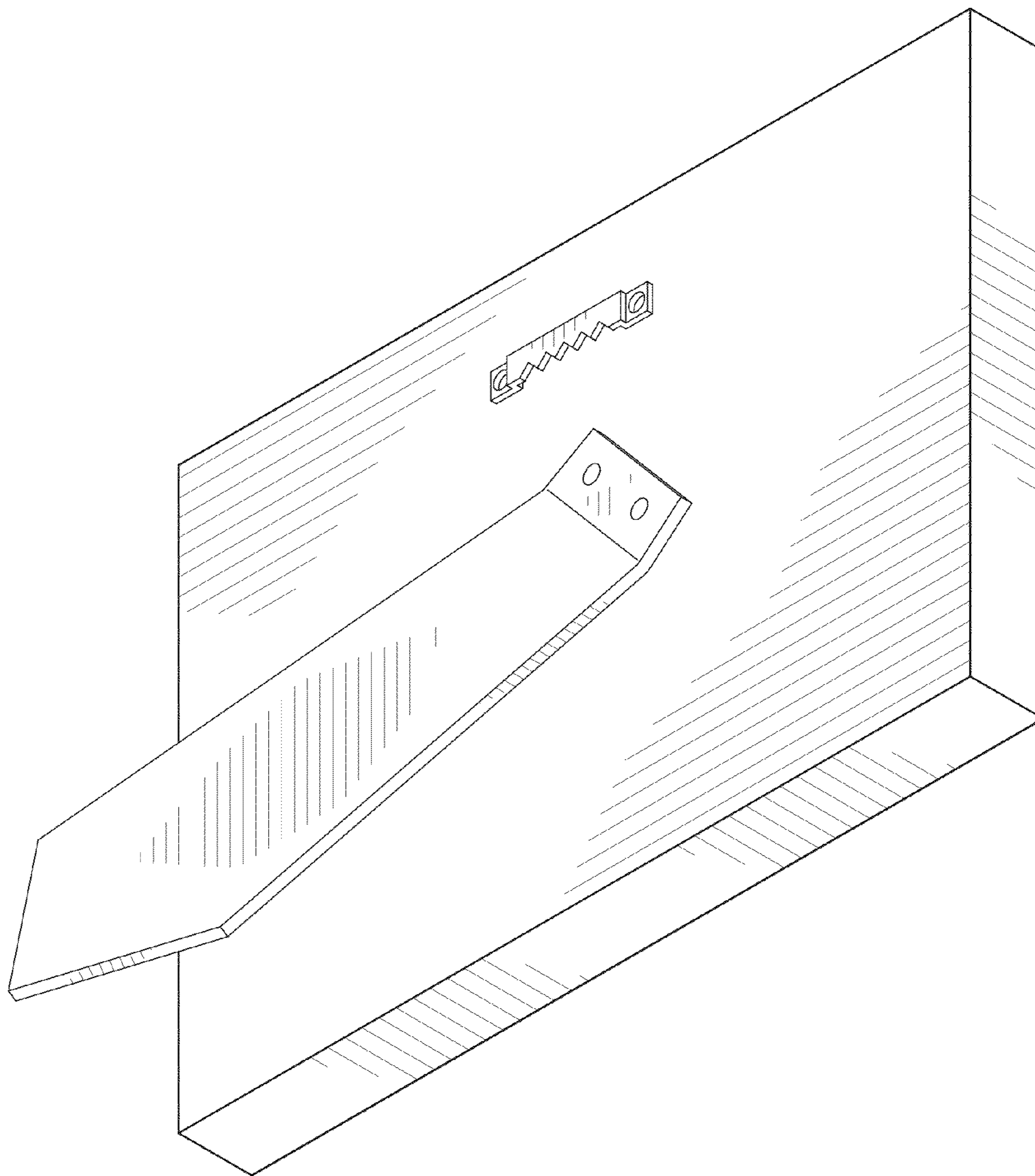


FIG. 2

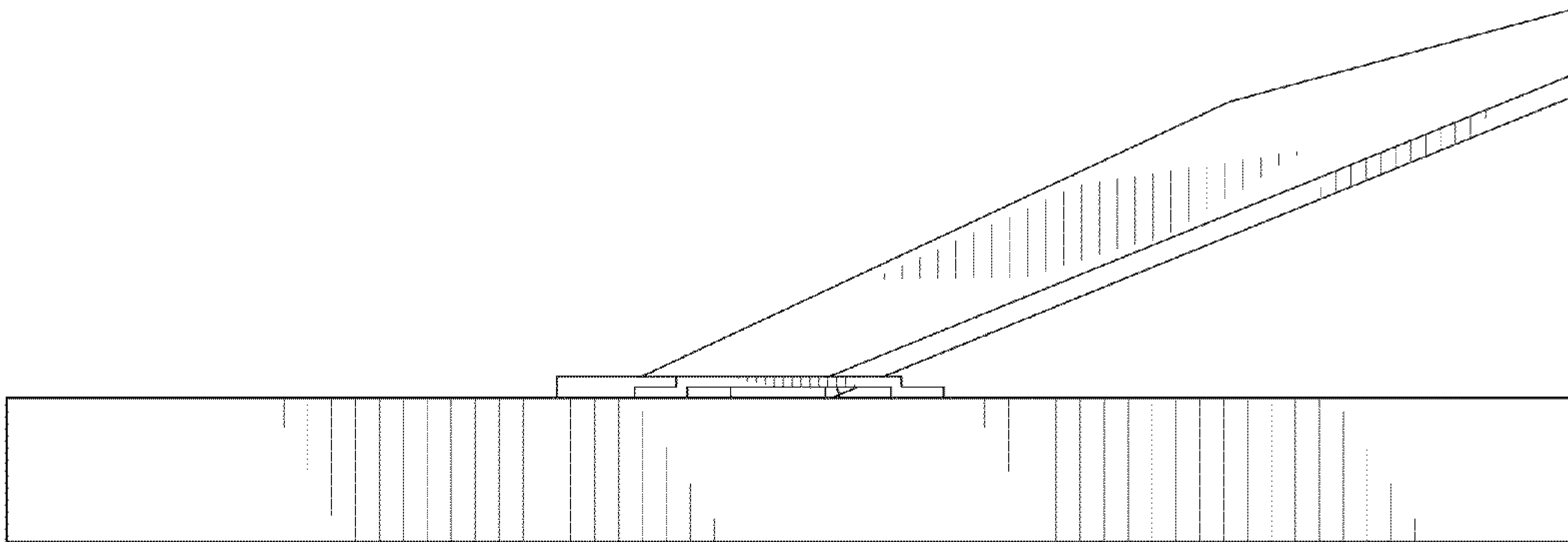


FIG. 3

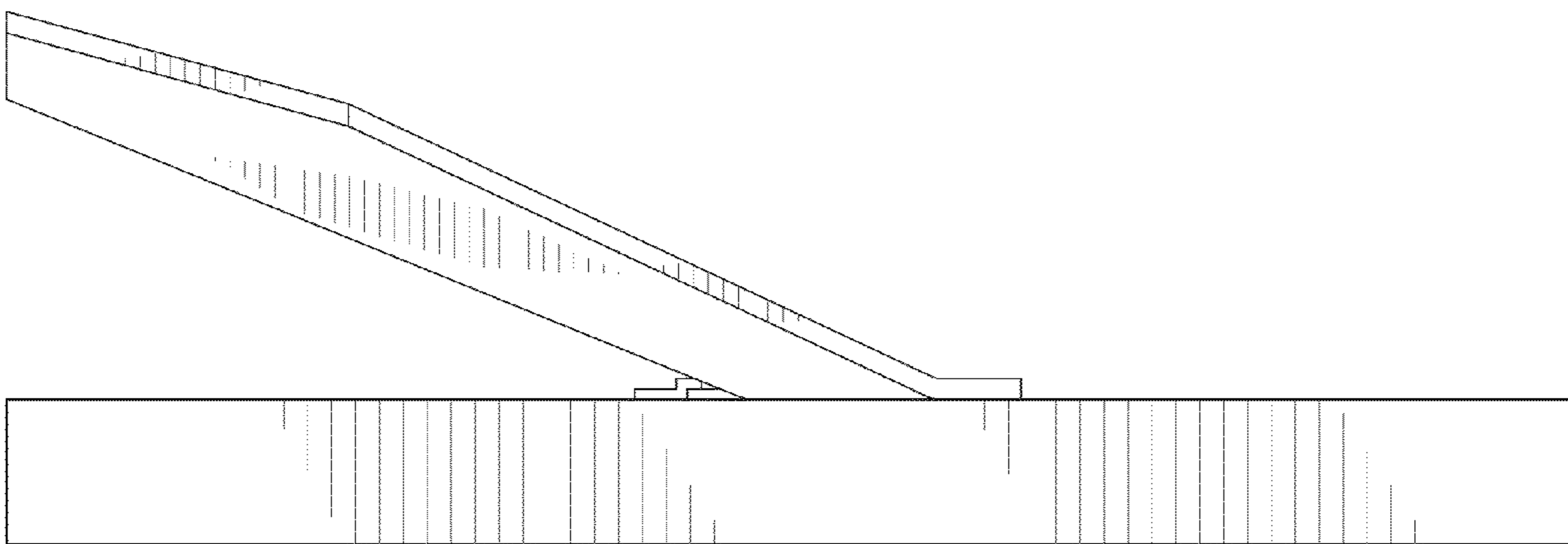


FIG. 4

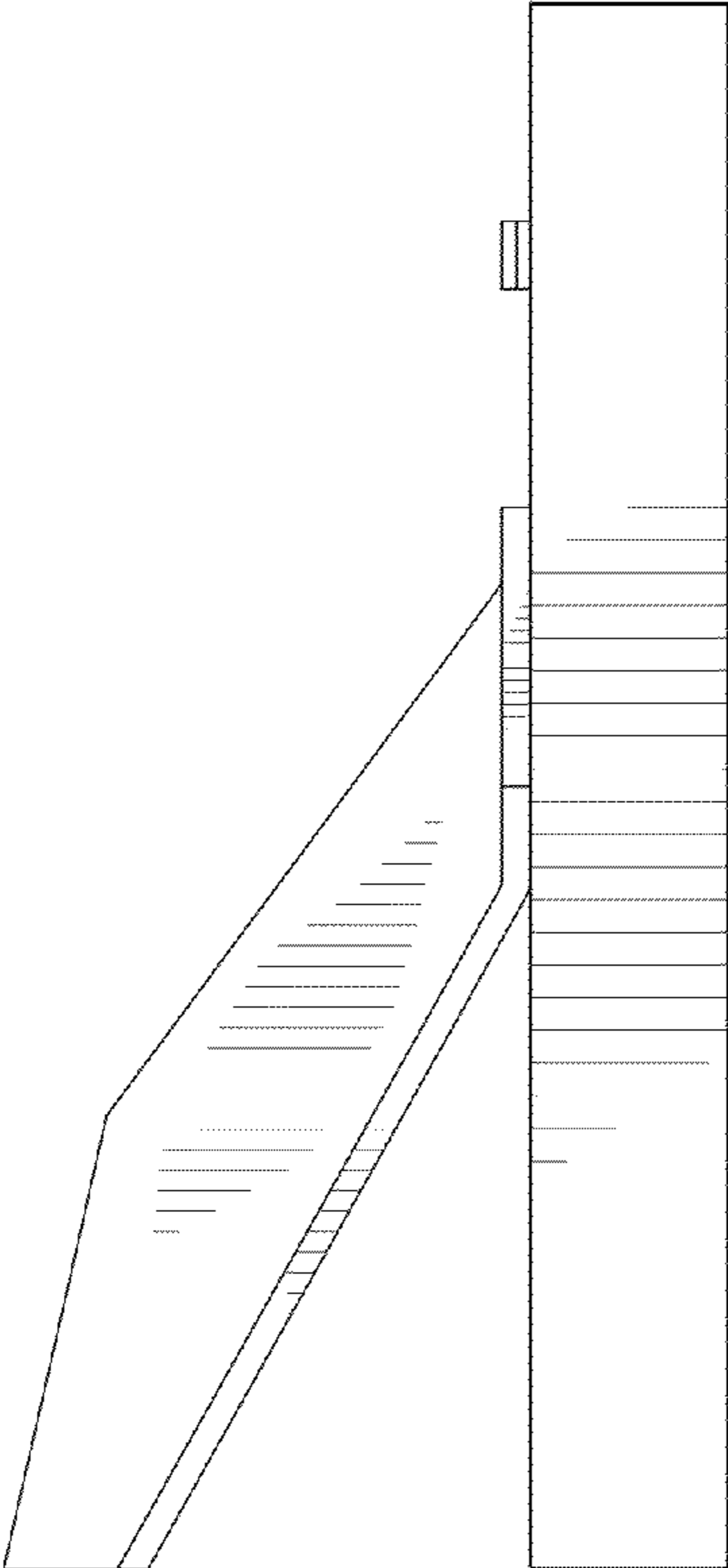


FIG. 5

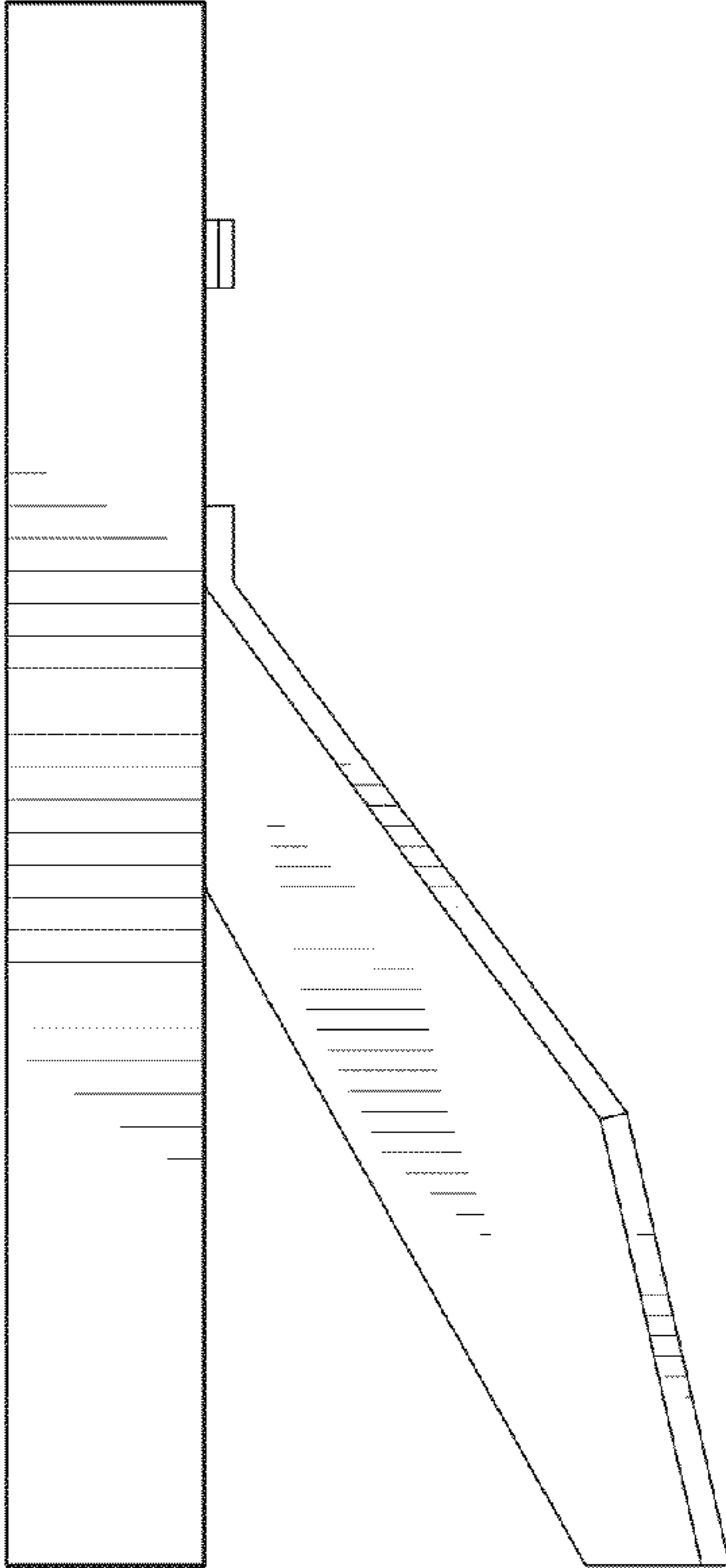


FIG. 6

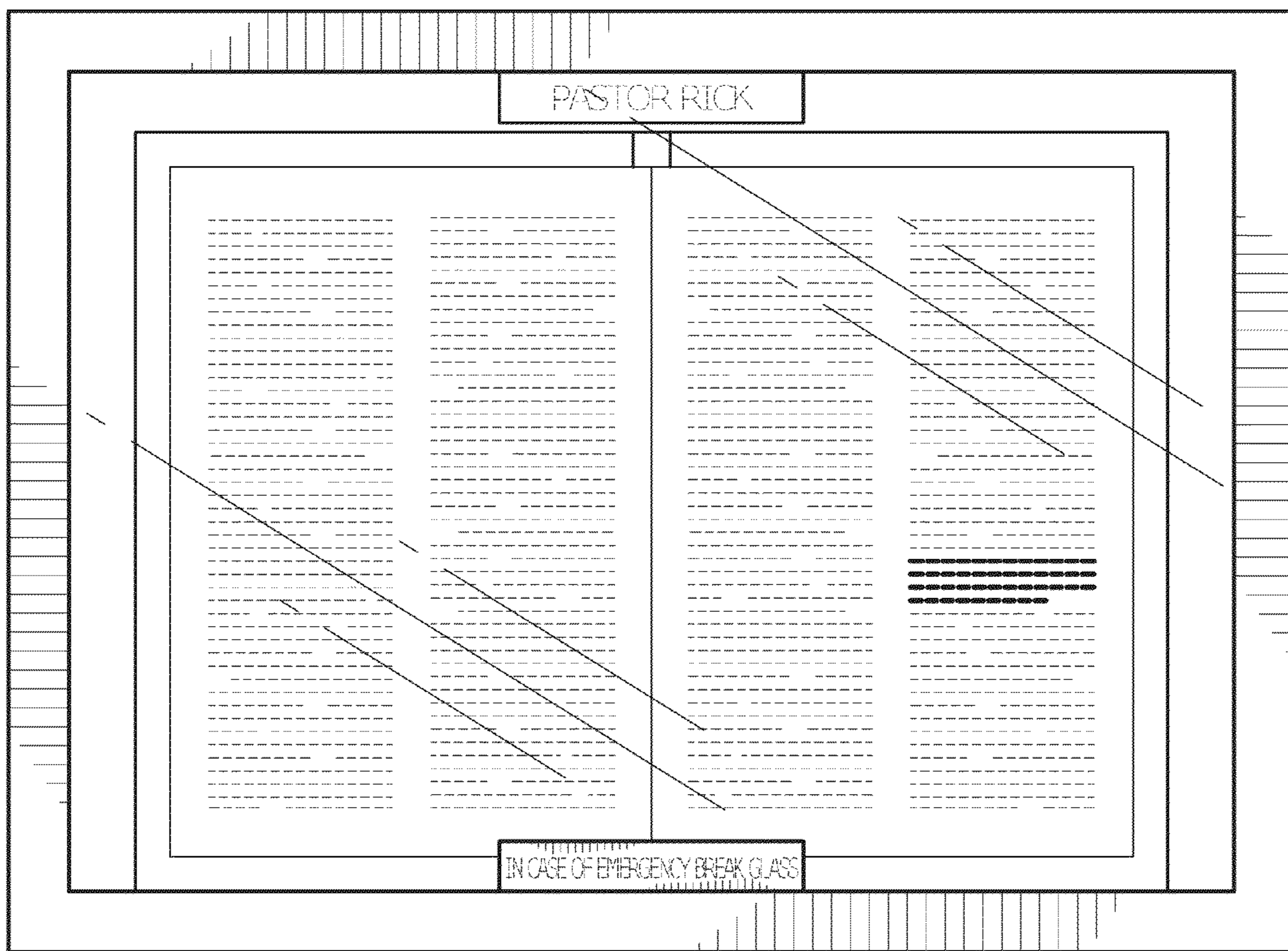


FIG. 7

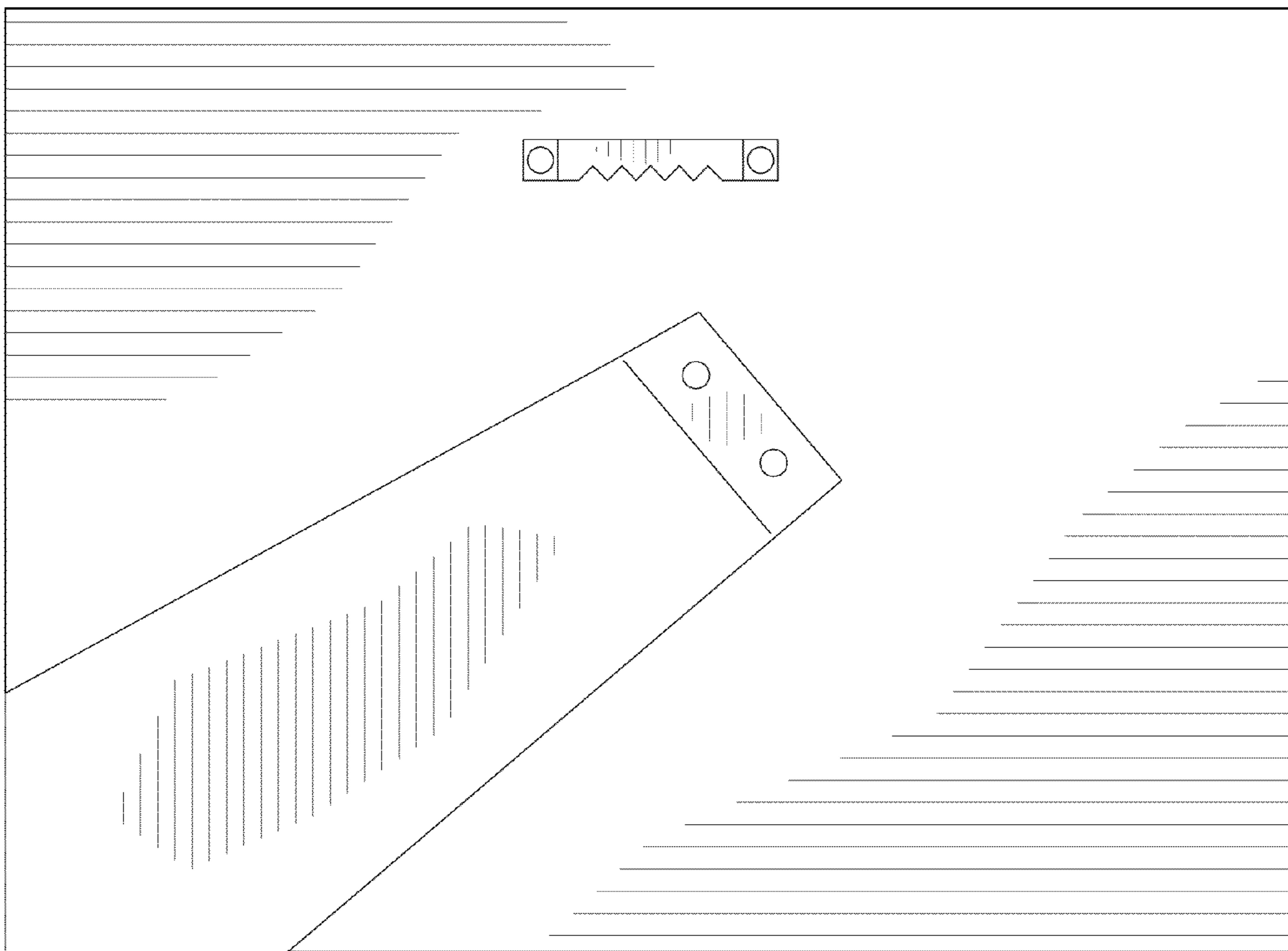


FIG. 8

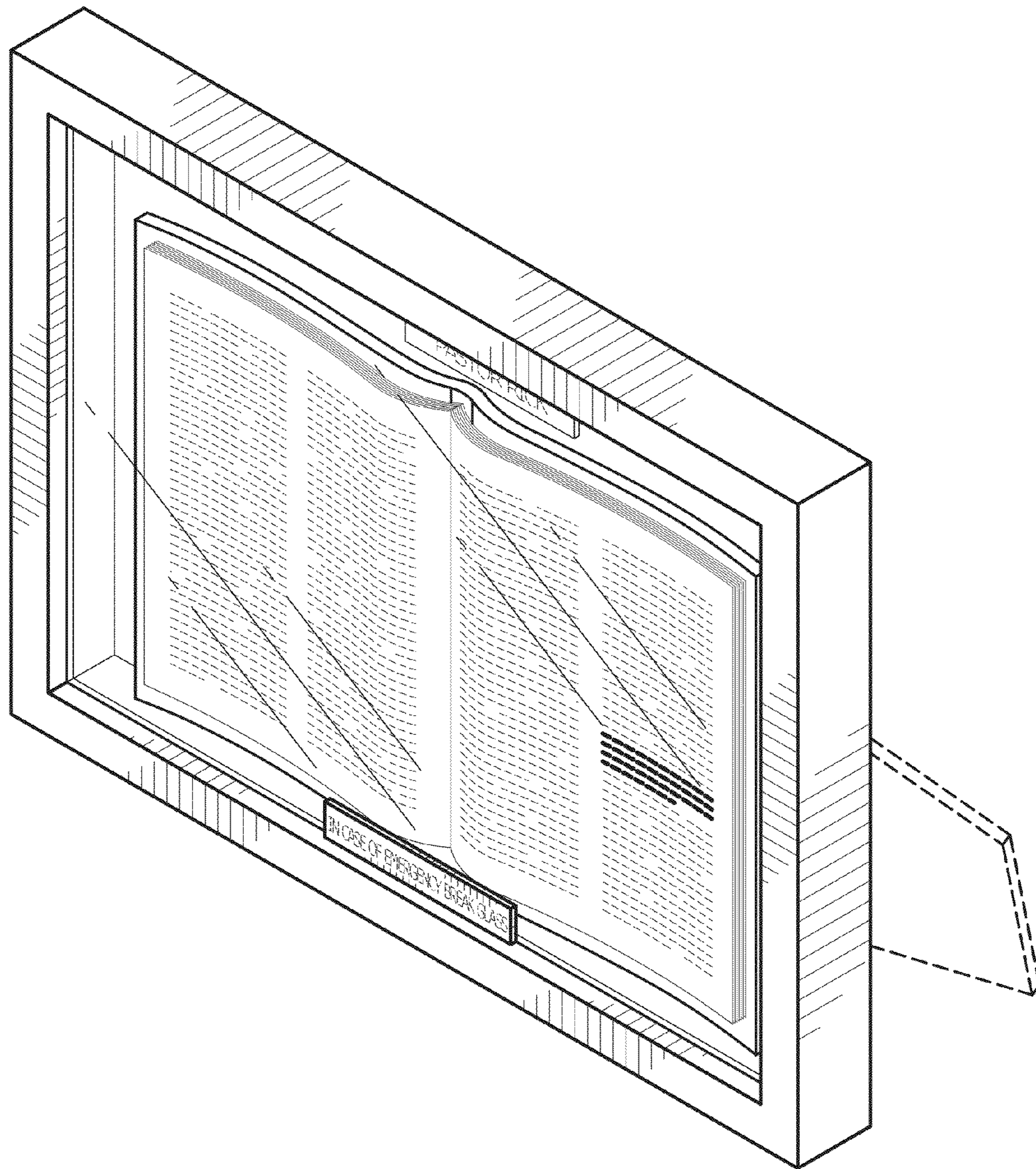


FIG. 9

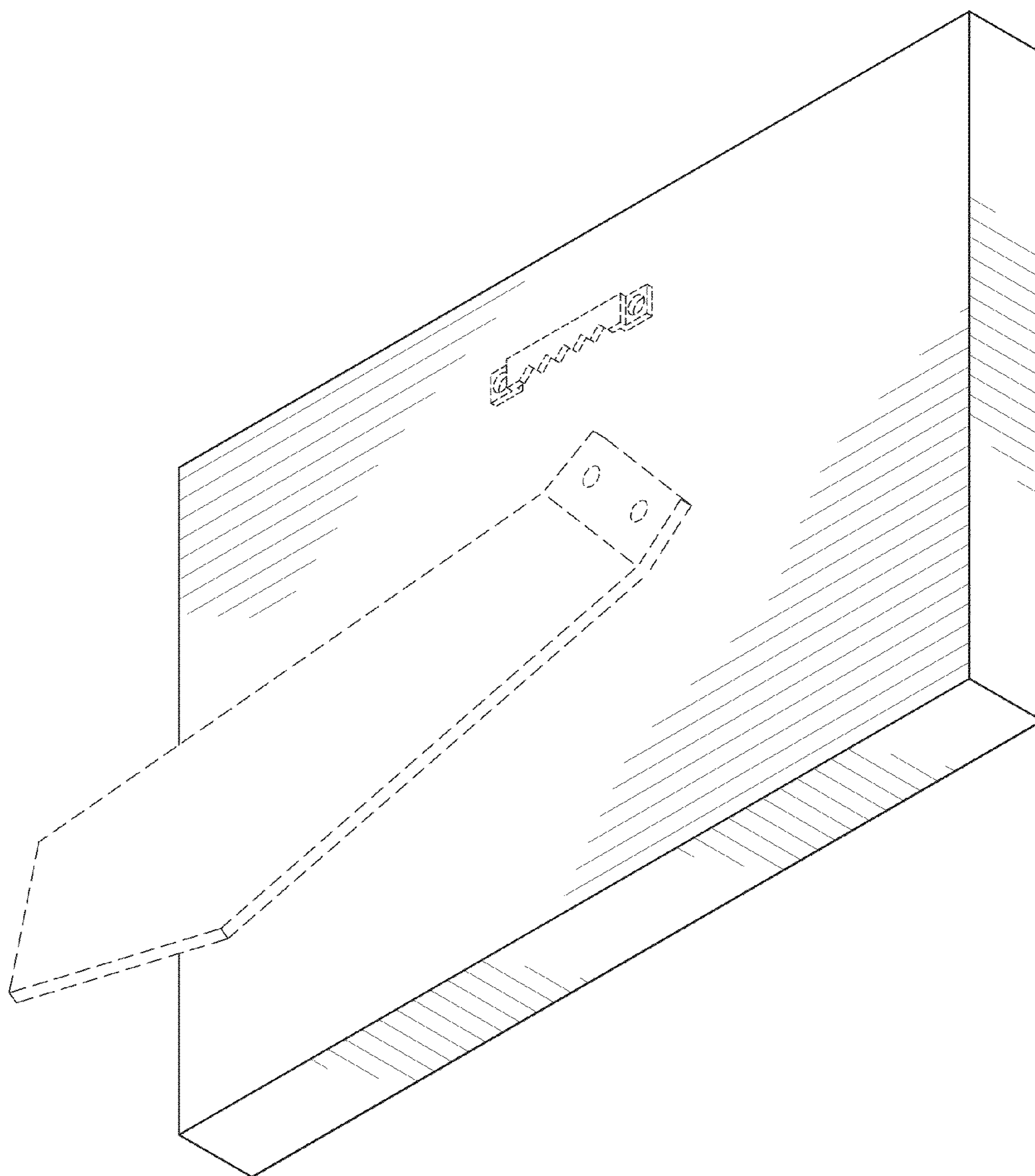


FIG. 10

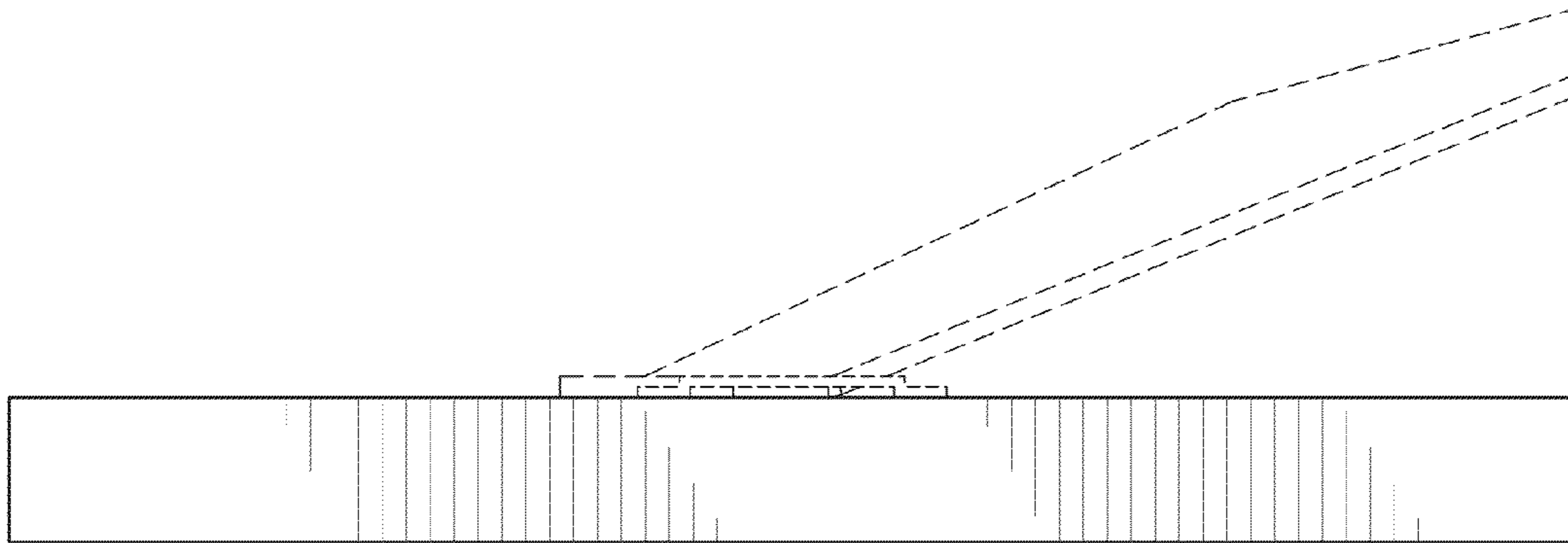


FIG. 11

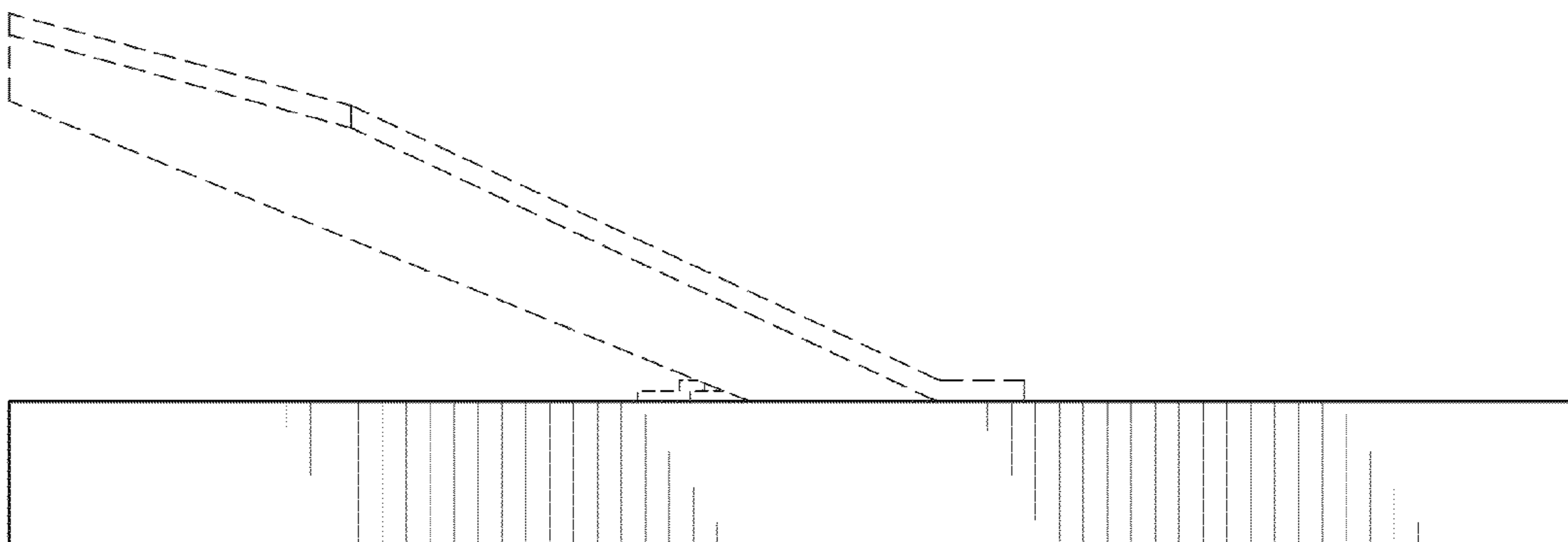


FIG. 12

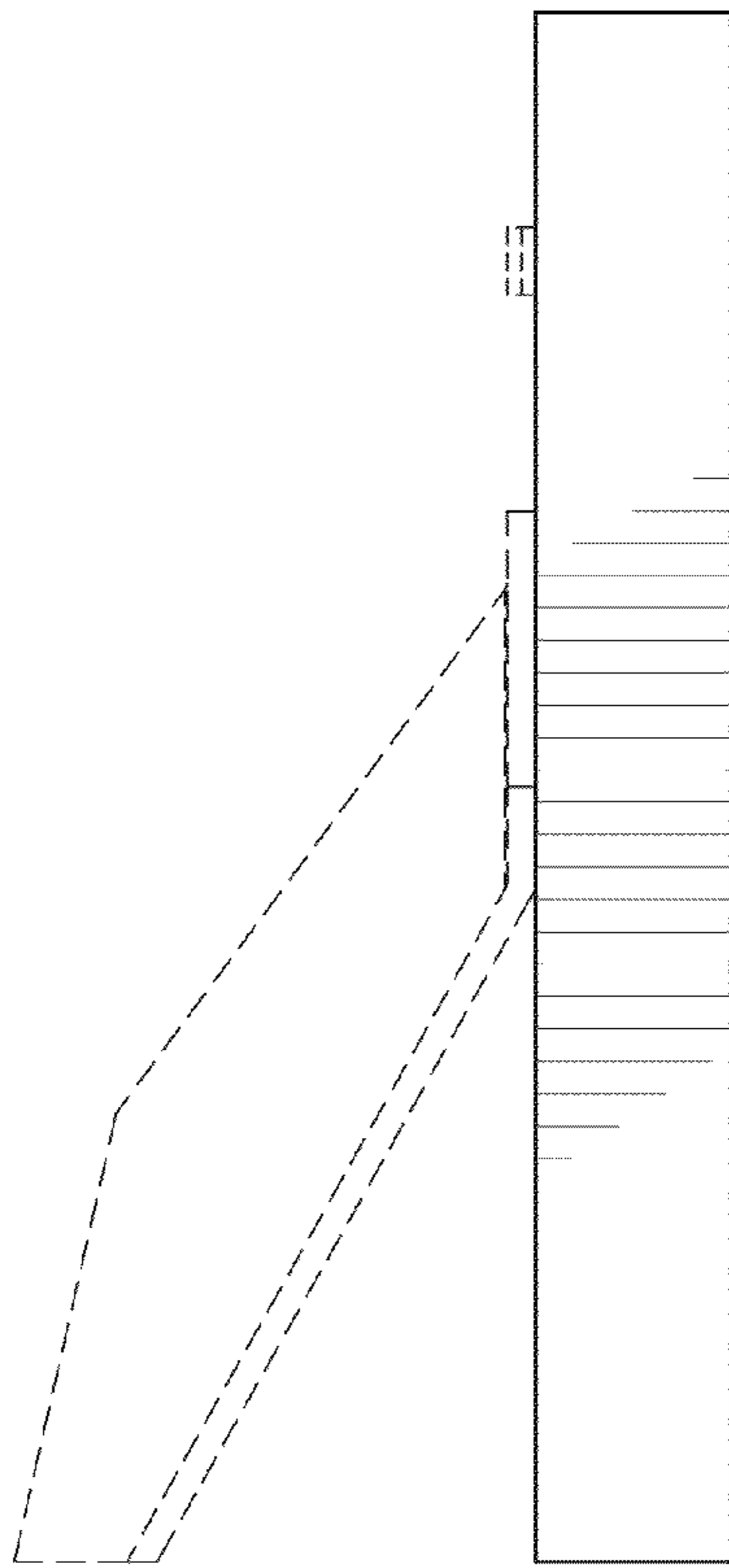


FIG. 13

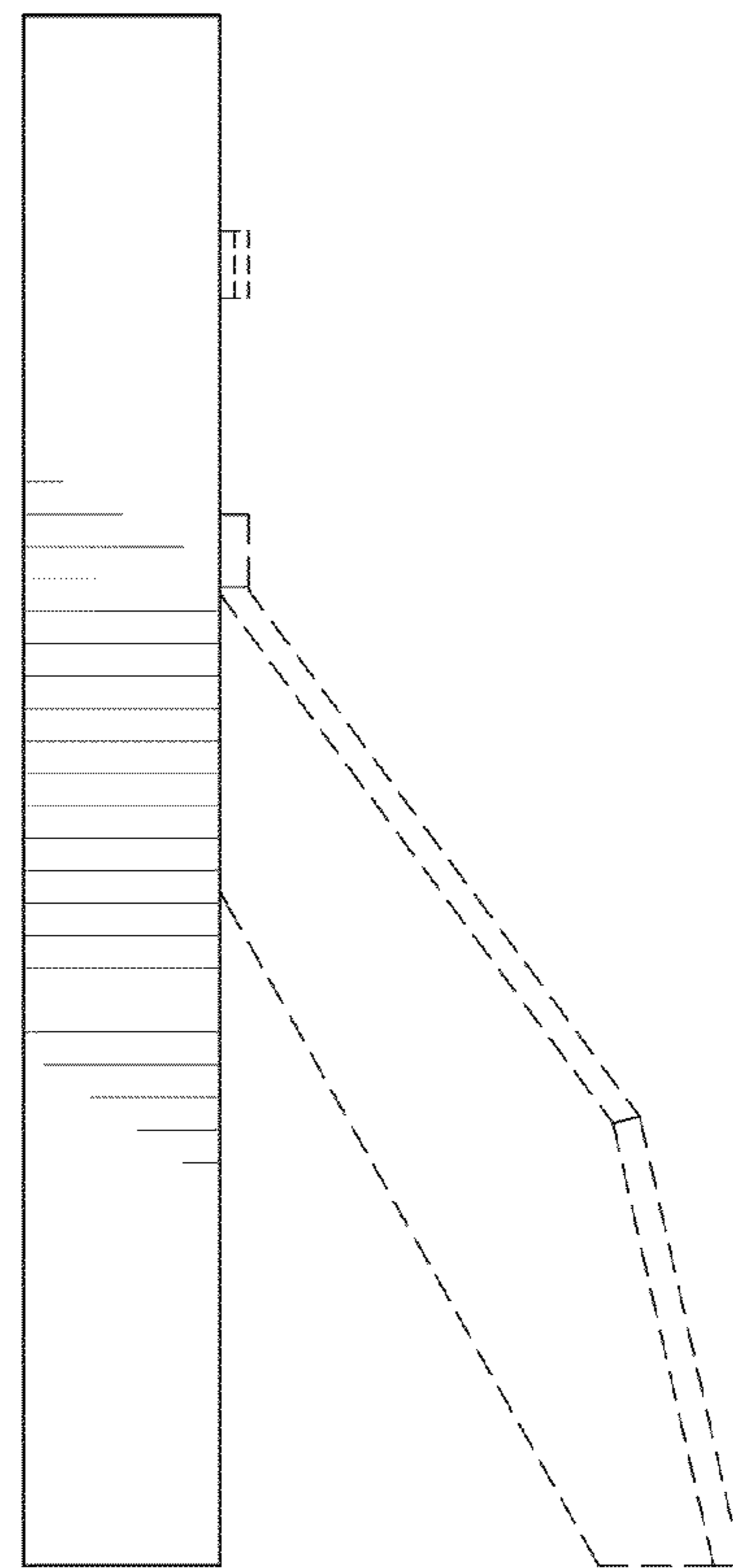


FIG. 14

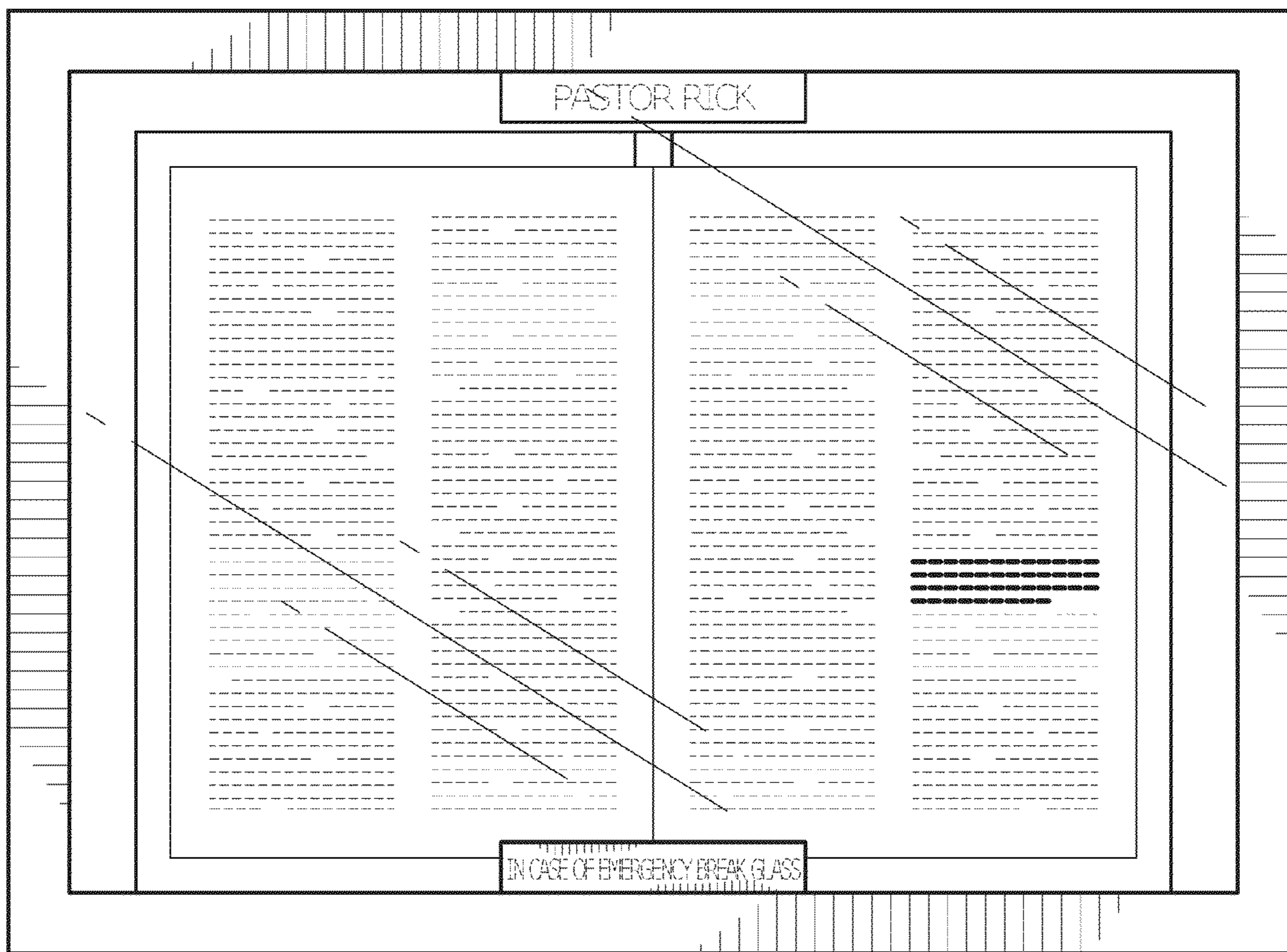


FIG. 15

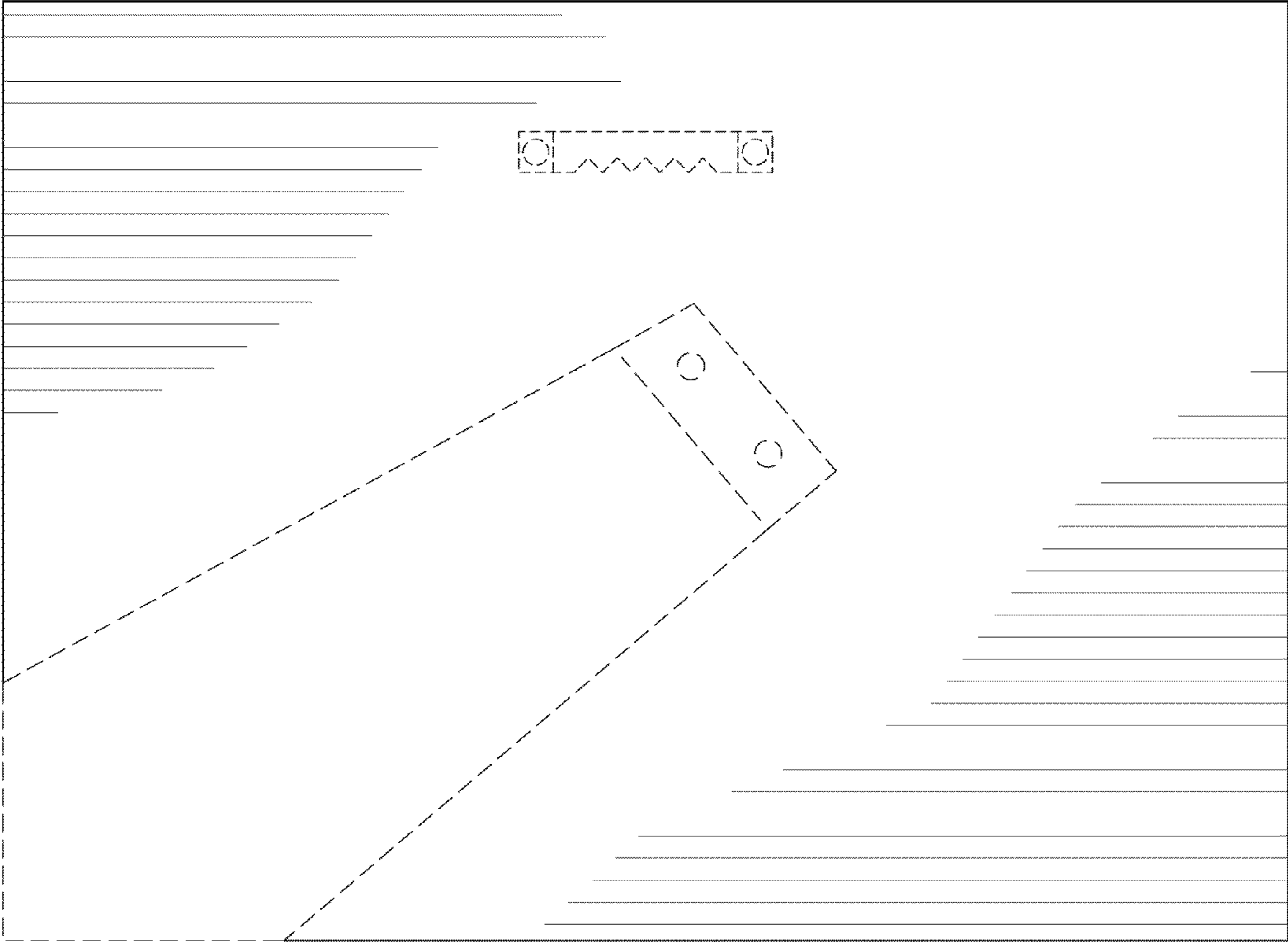


FIG. 16