



US00D731189S

(12) **United States Design Patent**
Kim

(10) **Patent No.:** **US D731,189 S**
(45) **Date of Patent:** **** Jun. 9, 2015**

- (54) **PICTURE FRAME**
- (71) Applicant: **FunnyFish, Inc.**, Seoul (KR)
- (72) Inventor: **Ji-Young Kim**, Seoul (KR)
- (73) Assignee: **FunnyFish, Inc.**, Seoul (KR)
- (**) Term: **14 Years**

2,660,825	A *	12/1953	Howard	40/789
2,806,310	A *	9/1957	Boyd	40/789
3,214,855	A *	11/1965	Winkler et al.	40/788
3,286,387	A *	11/1966	Poertner	40/788
3,357,671	A *	12/1967	Ketterer	248/459
3,686,783	A *	8/1972	Levy	40/746
4,782,611	A *	11/1988	Papov	40/788
4,819,354	A *	4/1989	Papov	40/789
5,359,794	A *	11/1994	Wood	40/789

(Continued)

- (21) Appl. No.: **29/482,159**
- (22) Filed: **Feb. 14, 2014**

OTHER PUBLICATIONS

Frame—Photo Frame Made Out of Eco-Friendly Paper, available on Dec. 1, 2014, [online], [site visited on Jan. 31, 2015]. Available from internet, <URL: <http://www.funnyfish.co.kr/?p=1042>.*

(Continued)

(30) **Foreign Application Priority Data**

Aug. 14, 2013 (KR) 30-2013-0041940

(51) **LOC (10) Cl.** **06-07**

(52) **U.S. Cl.**
USPC **D6/310**; D6/311; D6/300

(58) **Field of Classification Search**
USPC D6/300–314; 40/124.01, 124.08,
40/124.09, 124.14, 124.17, 124.19, 584,
40/485, 700, 743, 750, 754, 786, 788–791,
40/768, 772, 798; 229/70, 71, 92.8;
D20/10, 40; D9/414

CPC A47G 1/0633; A47G 1/141; A47G 1/06;
A47G 2001/0694; B65D 5/2009; B65D 5/30;
G09F 1/04; B42D 15/008; B42D 15/042
See application file for complete search history.

Primary Examiner — Cathron Brooks
Assistant Examiner — Teddy Falloway

(74) *Attorney, Agent, or Firm* — Grossman Tucker Perreault & Pflieger, PLLC

(57) **CLAIM**

The ornamental design for a picture frame, as shown and described.

DESCRIPTION

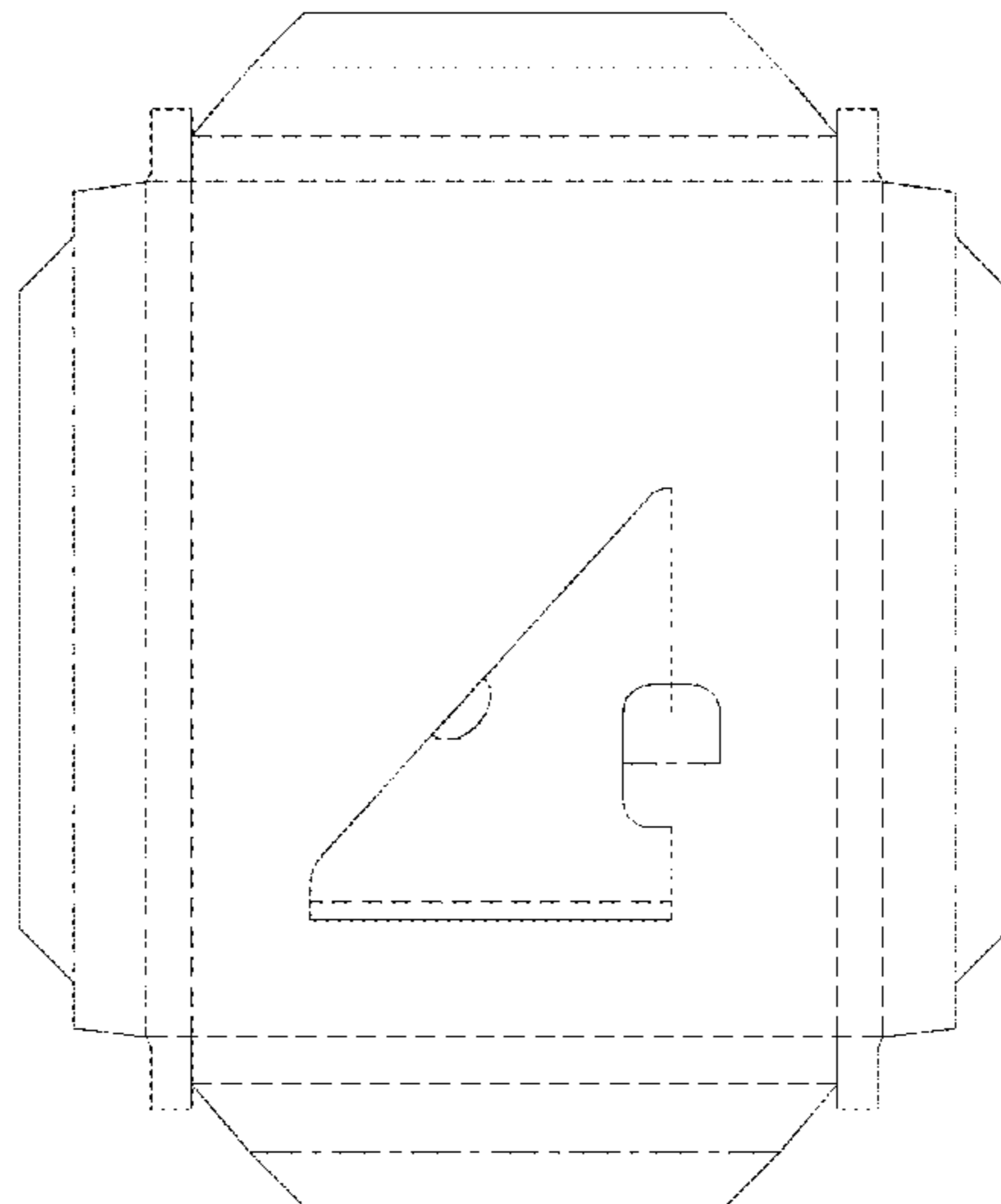
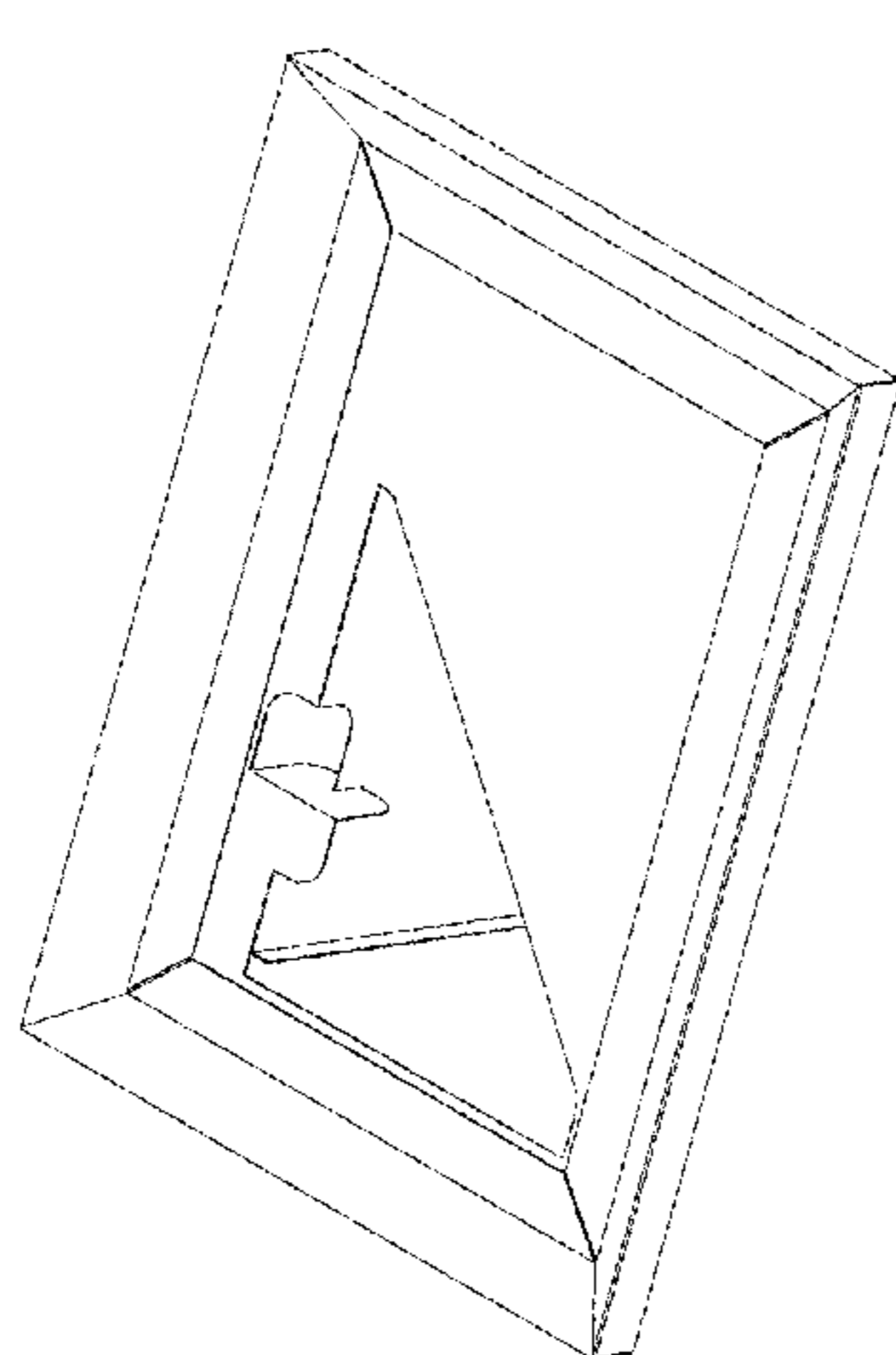
FIG. 1 is a perspective view of the picture frame;
FIG. 2 is a front view thereof;
FIG. 3 is a rear view thereof;
FIG. 4 is a left side view thereof;
FIG. 5 is a right side view thereof;
FIG. 6 is a top view thereof;
FIG. 7 is a bottom view thereof; and,
FIG. 8 is an unfolded layout view thereof with broken lines illustrating fold lines for forming the frame monolithically with a supporting part and a fixing part.

1 Claim, 7 Drawing Sheets

(56) **References Cited**

U.S. PATENT DOCUMENTS

723,696	A *	3/1903	Maine	40/786
776,311	A *	11/1904	Fischer	40/788
849,111	A *	4/1907	Moore	40/786
1,323,086	A *	11/1919	Fairchild	40/788
1,331,009	A *	2/1920	Ford	40/788
2,203,737	A *	6/1940	Moore	40/788



(56)

References Cited

U.S. PATENT DOCUMENTS

5,788,144	A *	8/1998	Sorge et al.	229/92.8
5,950,341	A *	9/1999	Cross	40/750
D452,995	S *	1/2002	Barry	D6/300
8,555,536	B2 *	10/2013	Steichen et al.	40/786
D700,443	S *	3/2014	Dodd et al.	D6/300
8,863,420	B2 *	10/2014	Edmondson et al.	40/743
8,925,228	B2 *	1/2015	Edmondson et al.	40/788
2001/0016996	A1 *	8/2001	Olson et al.	40/789
2002/0129530	A1 *	9/2002	Delozada et al.	40/788
2004/0011860	A1 *	1/2004	Lebras	229/122.27
2011/0197486	A1 *	8/2011	Wei	40/780
2012/0311905	A1 *	12/2012	Dodd et al.	40/798
2013/0205631	A1 *	8/2013	Steichen et al.	40/743
2013/0219761	A1 *	8/2013	Edmondson et al.	40/743
2013/0227868	A1 *	9/2013	Edmondson et al.	40/743
2014/0338242	A1 *	11/2014	Zhou et al.	40/774
2014/0363592	A1 *	12/2014	Zhou et al.	428/32.22

OTHER PUBLICATIONS

FunnyFish Frame, available on Mar. 14, 2014, [online], [site visited on Jan. 31, 2015]. Available from internet, <URL: <http://korean-products.com/2014/03/14/design-decor-items/>.*

Origami Shadowbox Frame, available on Dec. 1, 2013, [online], [site visited on Jan. 31, 2015]. Available from internet, <URL: http://www.oriland.com/store/ebooks/origami_shadowbox_frames/main.php.*

Paper Frame, available on Jun. 6, 2009, [online], [site visited on Jan. 31, 2015]. Available from internet, <URL: <http://increations.blogspot.com/2009/06/how-to-make-simple-paper-frame.html>.*

Paper Frame Card, available on May 14, 2014, [online], [site visited on Jan. 31, 2015]. Available from internet, <URL: <http://eenysuniverse.blogspot.com/2014/05/picture-frame-card-paper-craft-with-eeny.html>.*

Picture frame craft, available on Oct. 25, 2011, [online], [site visited on Jan. 31, 2015]. Available from internet, <URL: <http://www.mias-craft-ideas.com/picture-frame-craft-ideas.html>.*

* cited by examiner

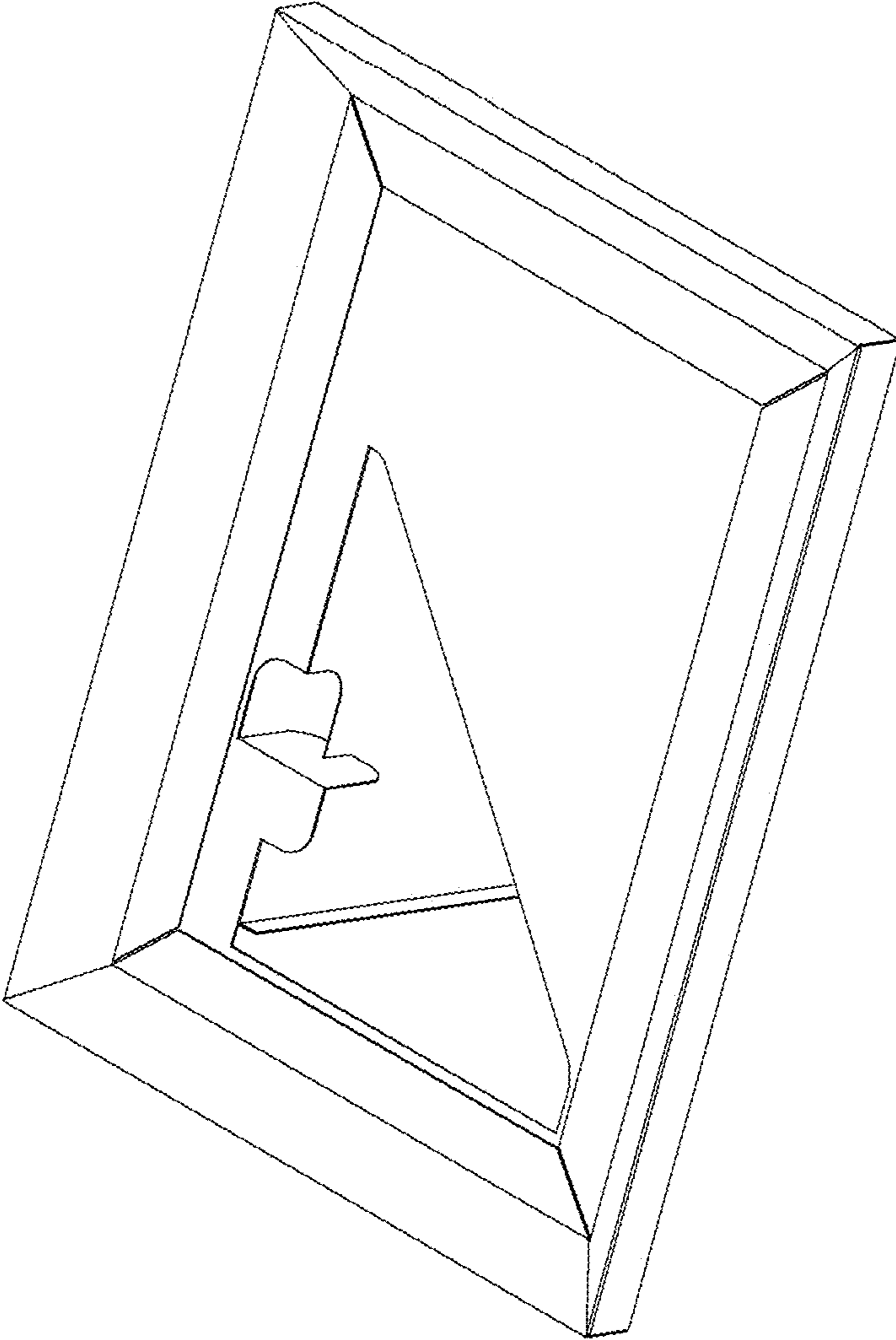


FIG. 1

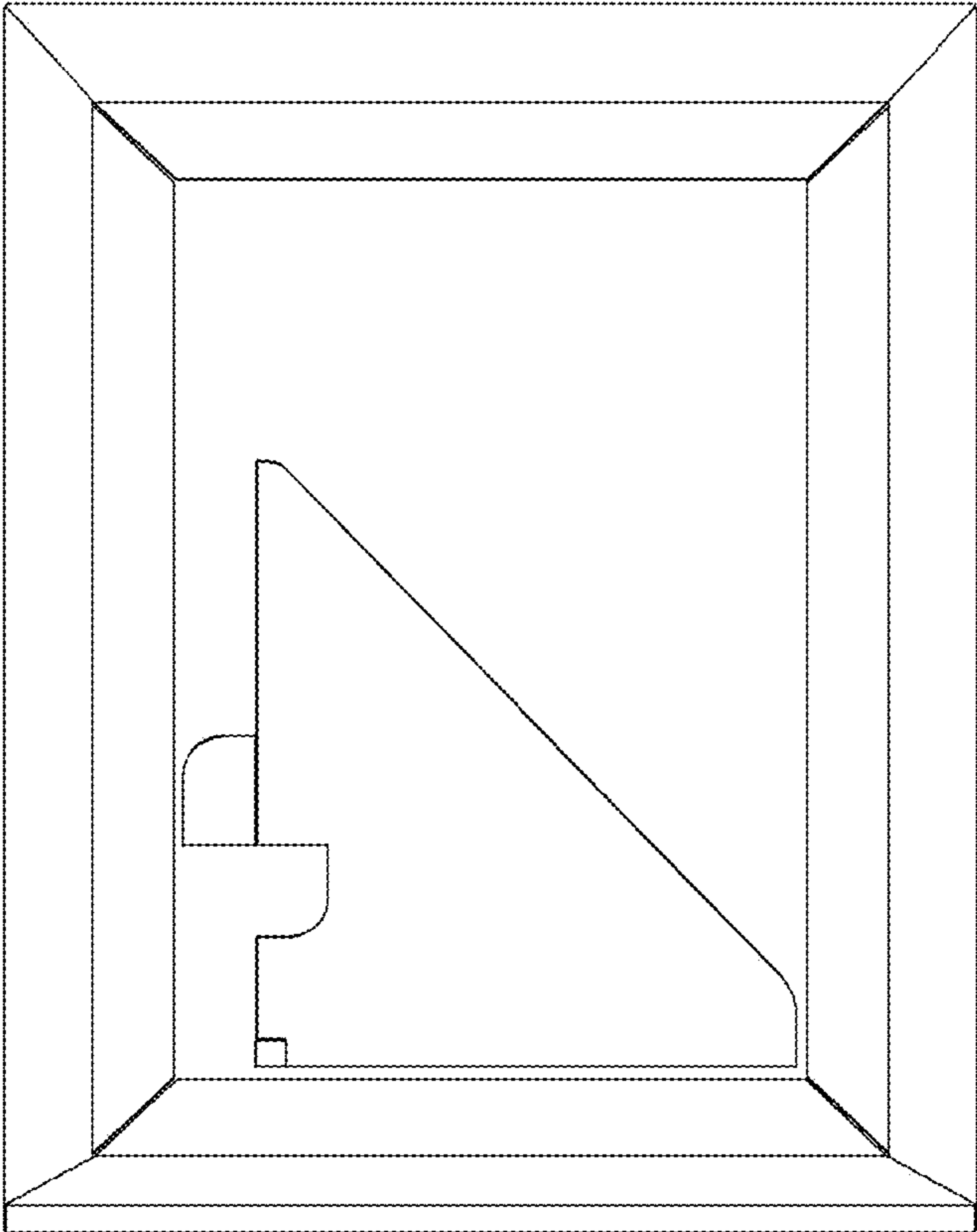


FIG. 2

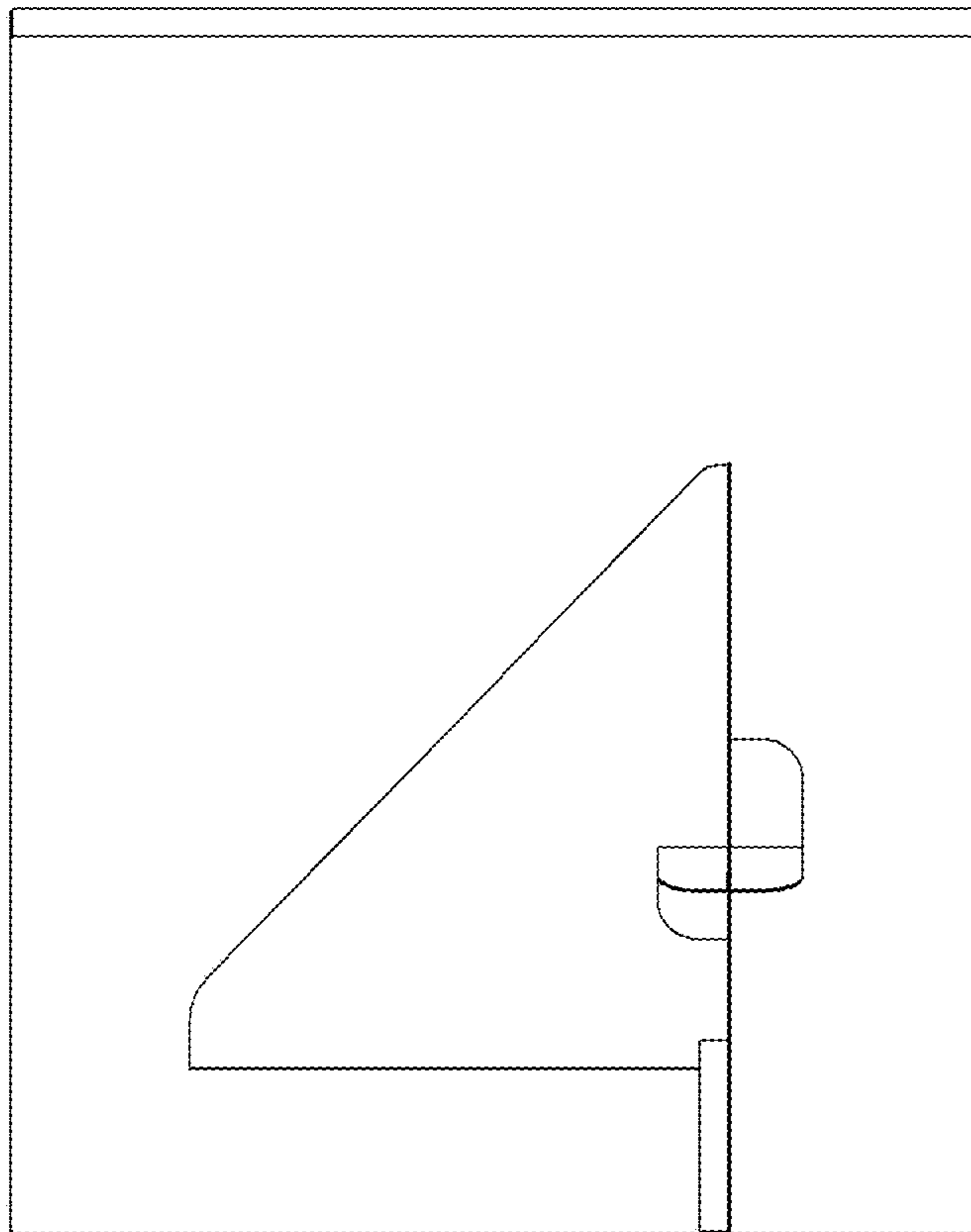


FIG. 3

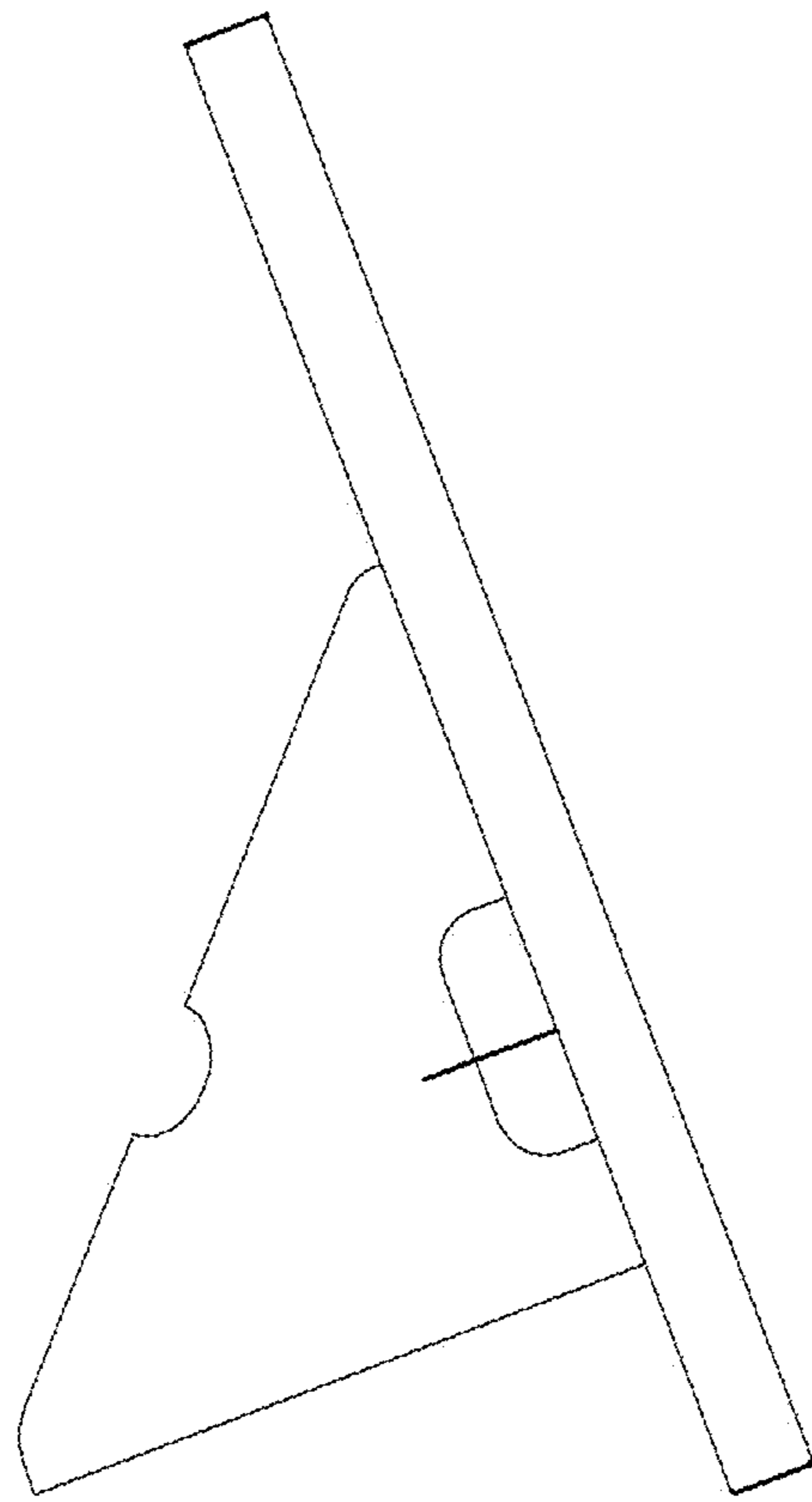


FIG. 4

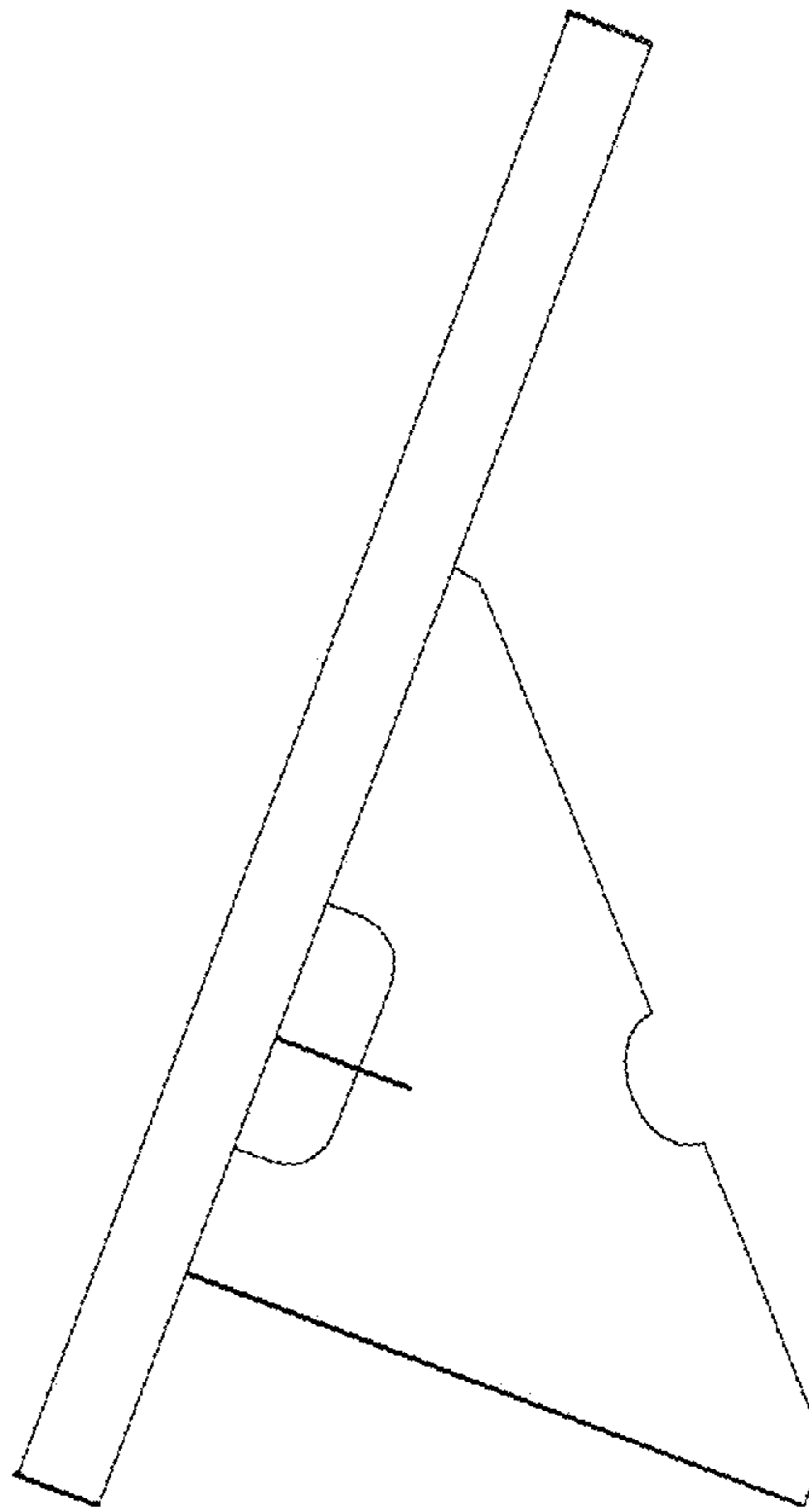


FIG. 5

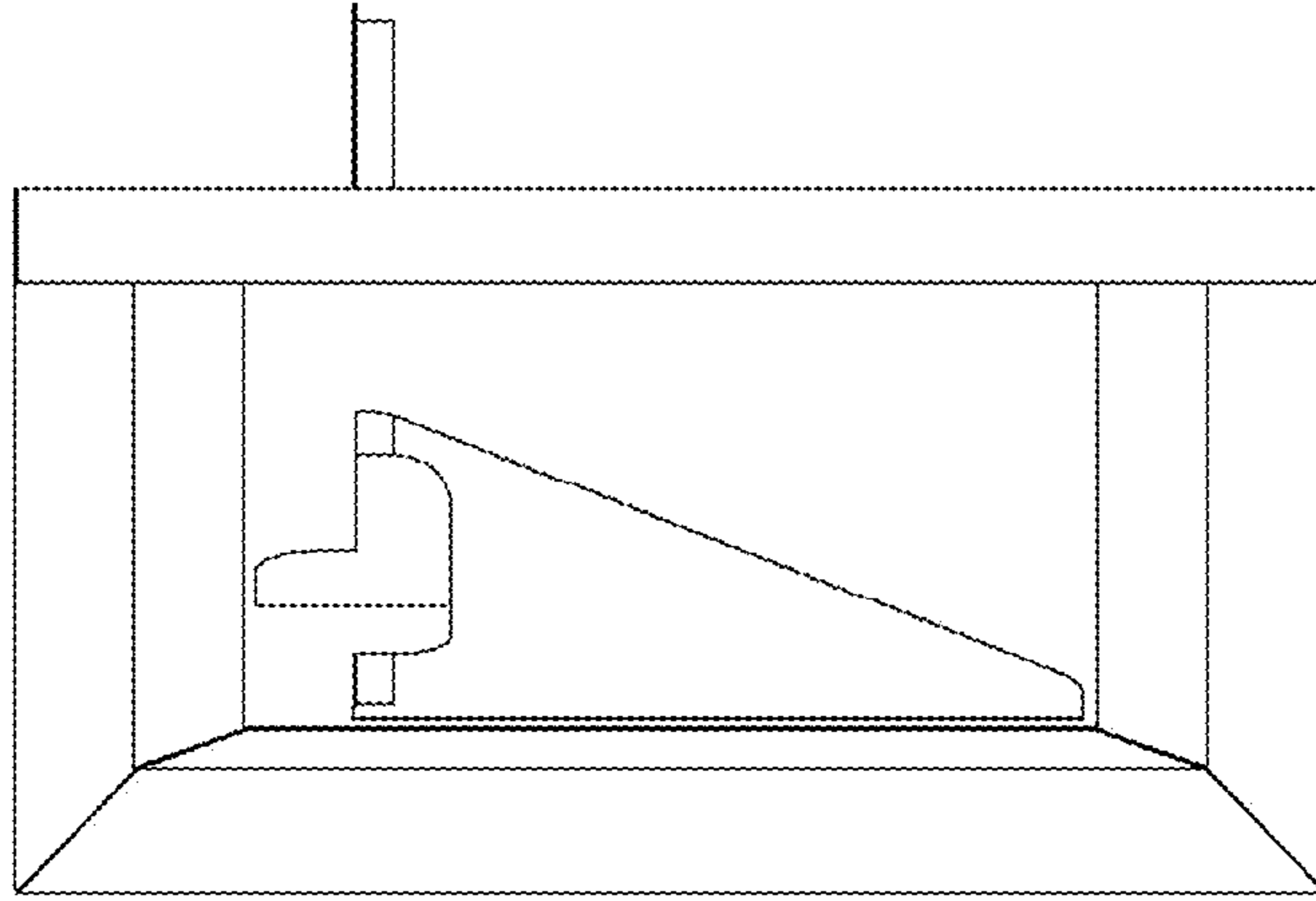


FIG. 6

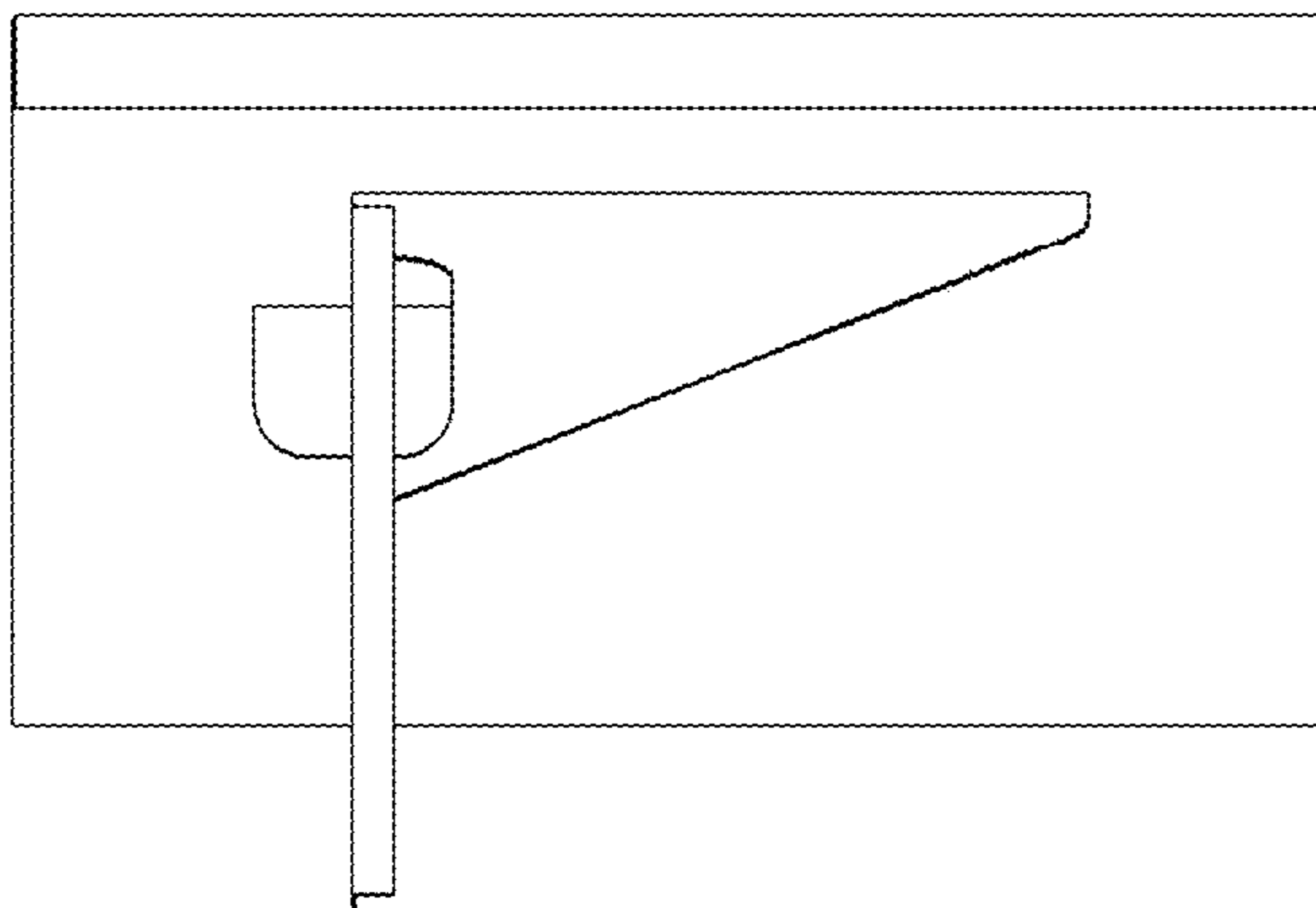


FIG. 7

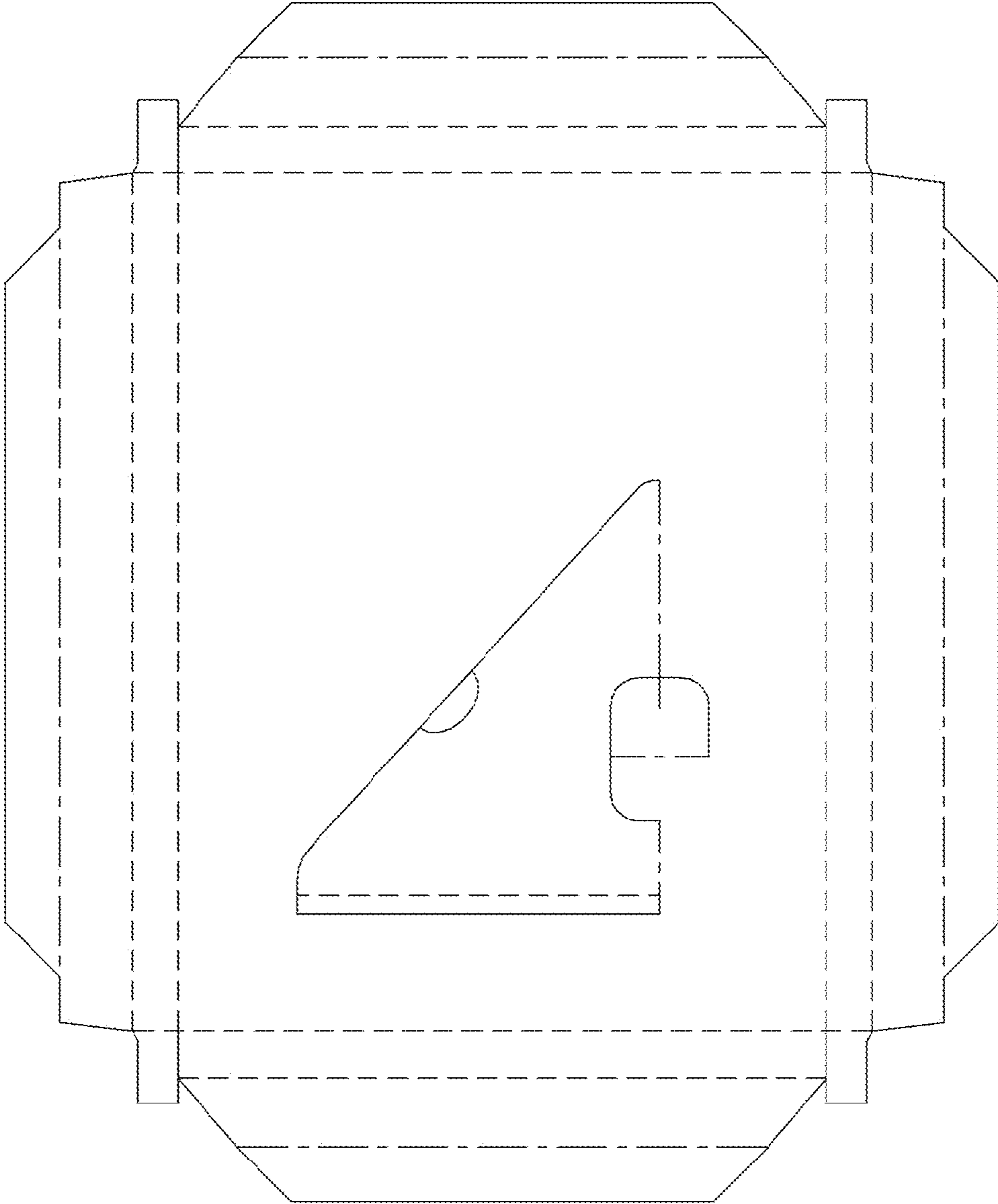


FIG. 8